



US00D403194S

United States Patent [19] Thurston

[11] **Patent Number: Des. 403,194**

[45] **Date of Patent: **Dec. 29, 1998**

[54] **AIR MATTRESS FOR PREGNANT WOMEN**

4,382,306 5/1983 Lickert 5/710
5,412,824 5/1995 Emerson et al. 5/632

[76] Inventor: **Diane Thurston**, 10455 Oakdale Ave.,
Chatsworth, Calif. 91311

Primary Examiner—Janice E. Seeger
Attorney, Agent, or Firm—James F. Cottone

[**] Term: **14 Years**

[57] CLAIM

[21] Appl. No.: **85,048**

The ornamental design for a air mattress for pregnant women, as shown an described.

[22] Filed: **Mar. 16, 1998**

DESCRIPTION

[51] **LOC (6) Cl.** **06-09**

[52] **U.S. Cl.** **D6/604; D6/601; D6/605**

[58] **Field of Search** D6/595, 596, 601,
D6/604, 605; 5/630, 631, 632, 636, 637,
640, 644, 417-420, 652, 654, 655, 655.9,
657, 907, 706, 930

FIG. 1 is an exploded perspective view taken from the top, front, and right side of my air mattress for pregnant women showing my new design;

FIG. 2 is a perspective view thereof “showing a small section cut away for convenience of illustration.”;

FIG. 3 is a top plan view thereof.

FIG. 4 is a bottom plan view thereof.

FIG. 5 is a front elevational view thereof.

FIG. 6 is a rear elevational view thereof.

FIG. 7 is a right side elevational view thereof; and,

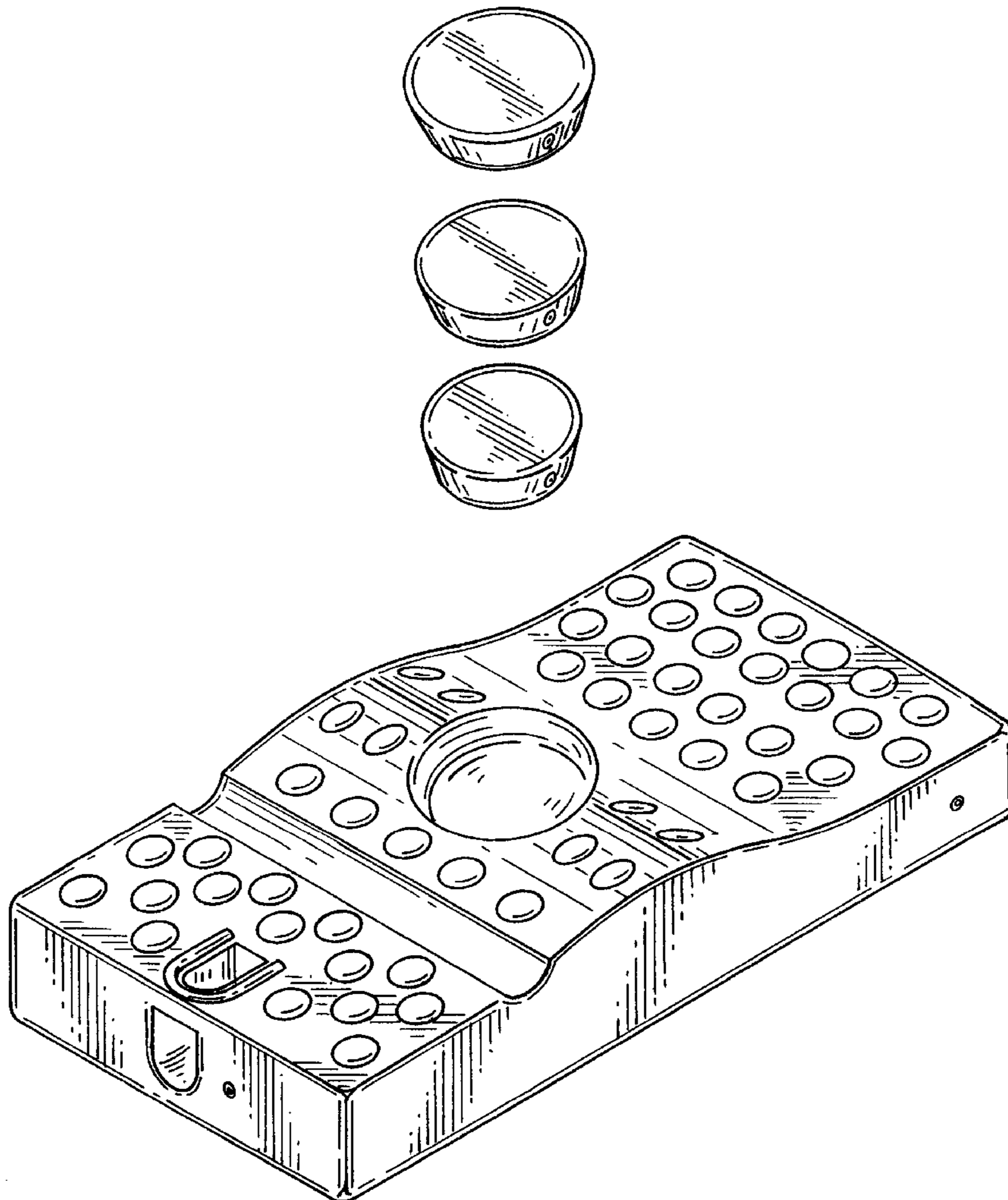
FIG. 8 is a left side elevational view thereof.

[56] References Cited

U.S. PATENT DOCUMENTS

D. 357,156	4/1995	Wolfe	D6/596
D. 392,145	3/1998	Thurston	D6/604
4,054,960	10/1977	Pettit et al.	5/631
4,206,524	6/1980	Cook	5/630

1 Claim, 3 Drawing Sheets



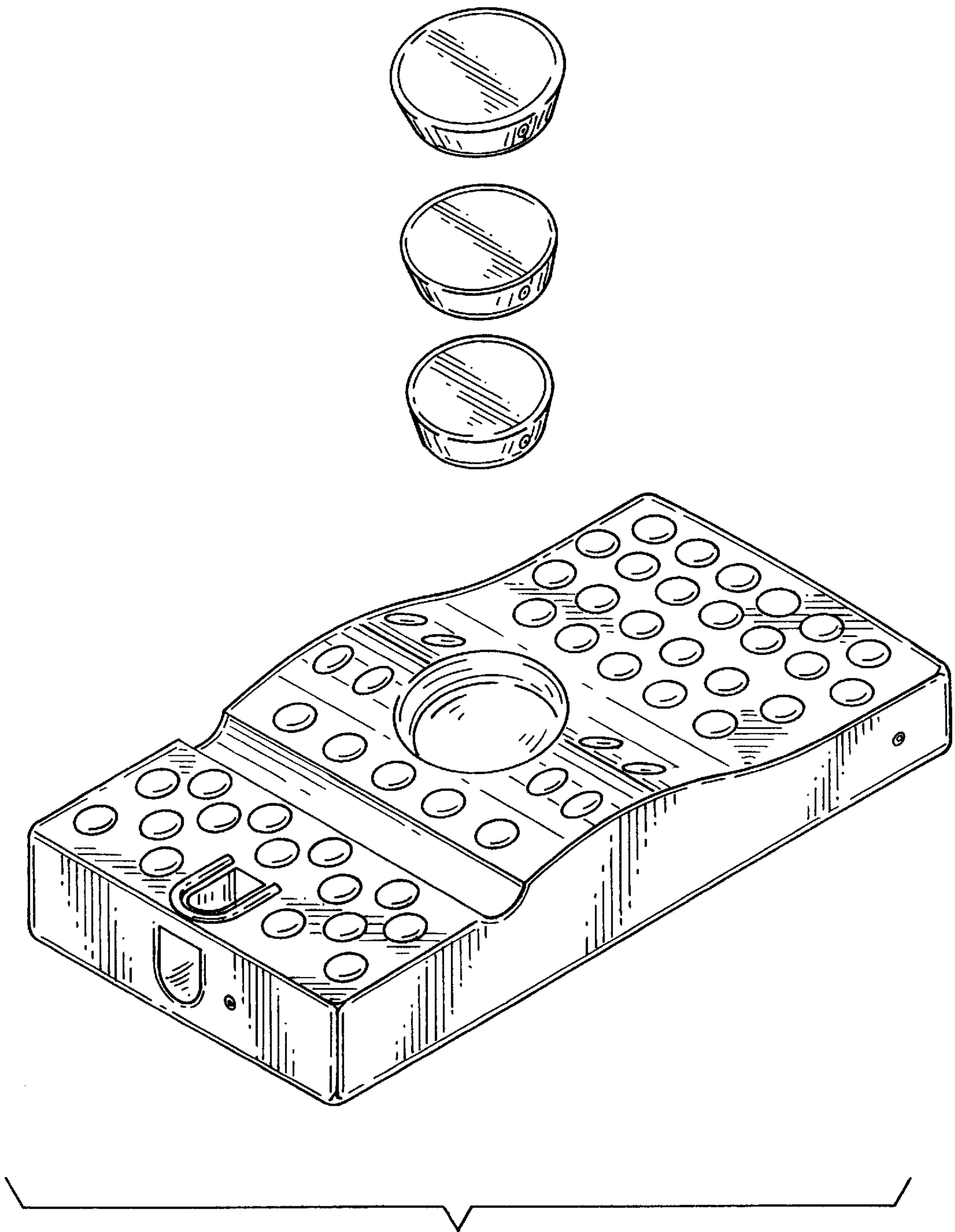


FIG. 1

FIG. 2

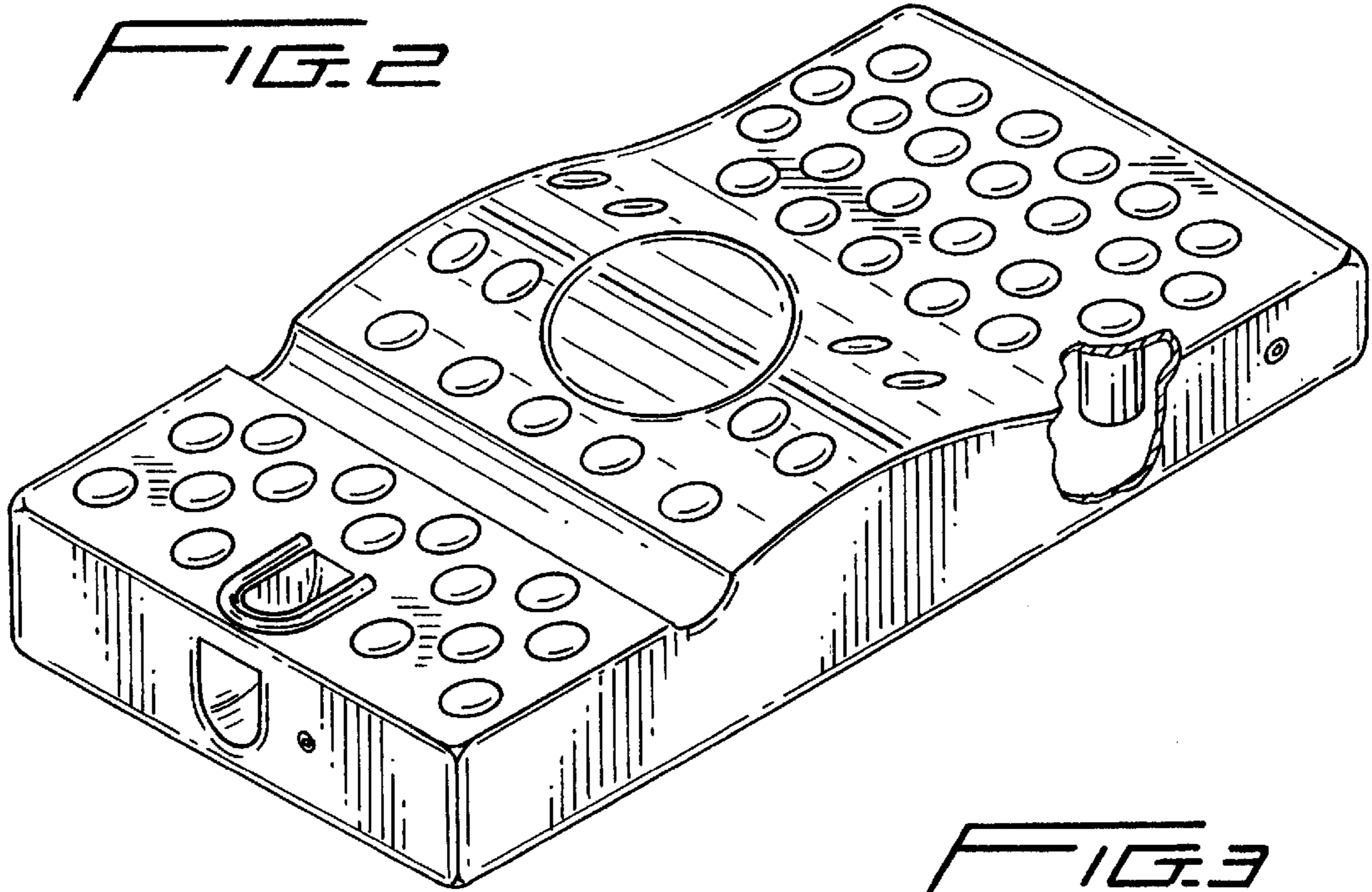


FIG. 3

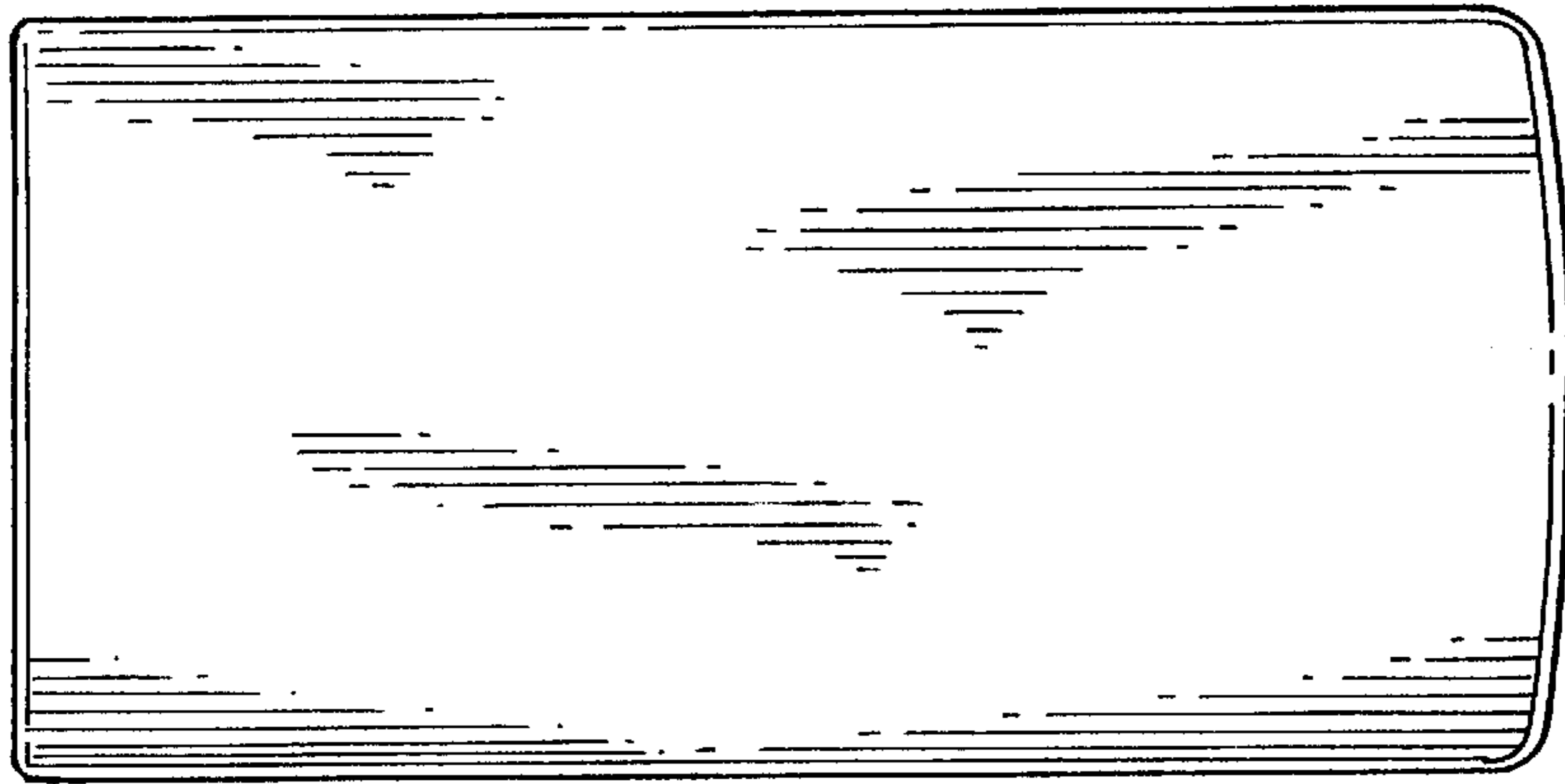
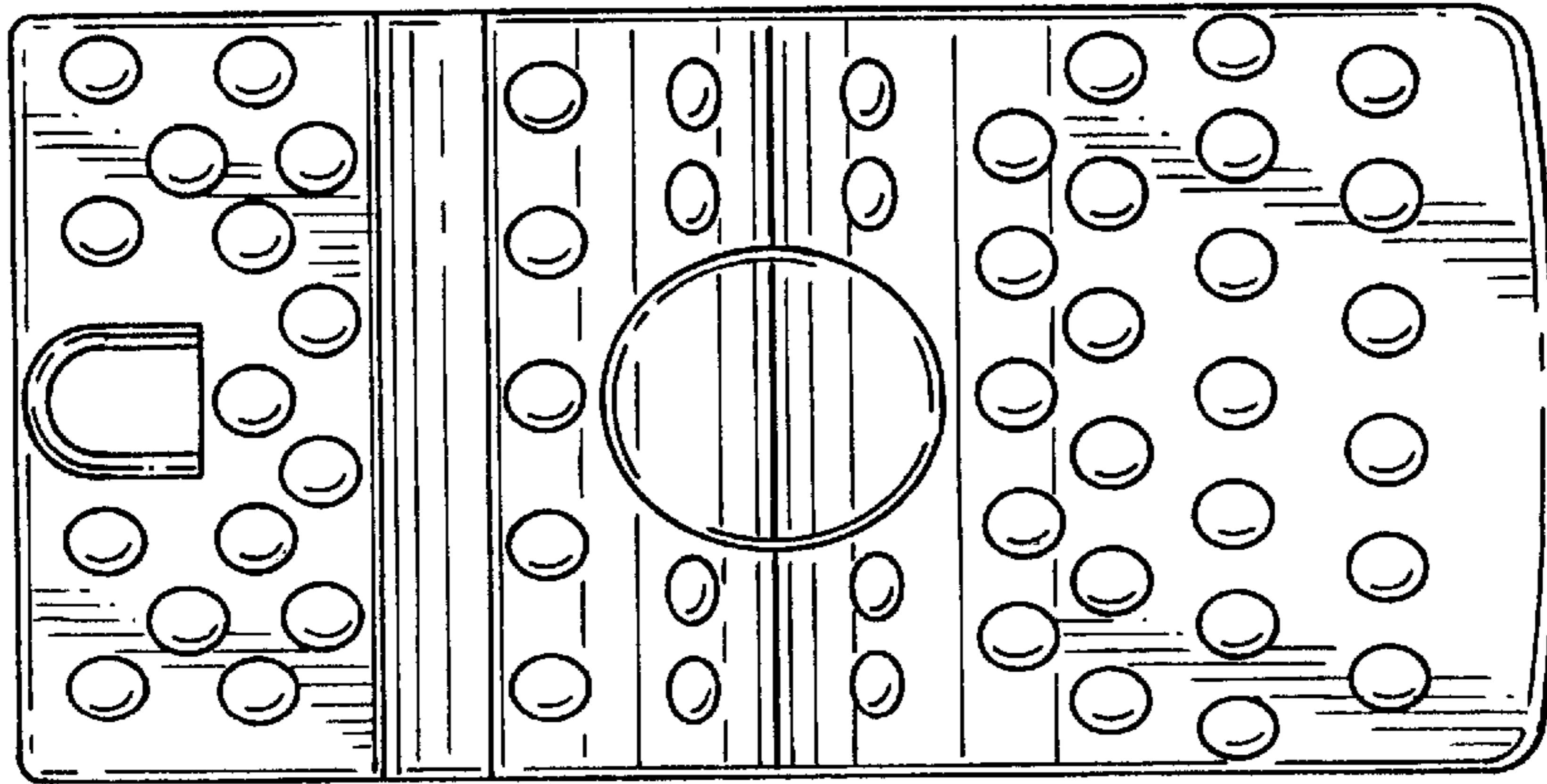


FIG. 4

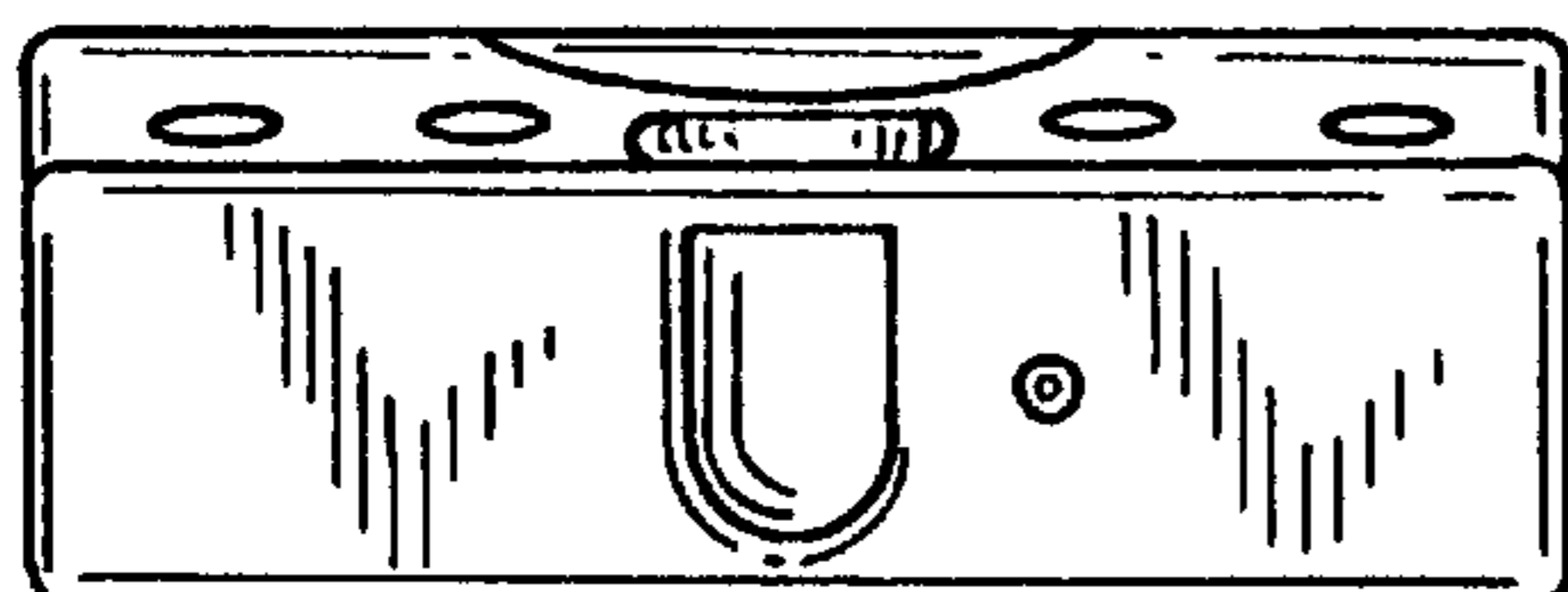


FIG. 5

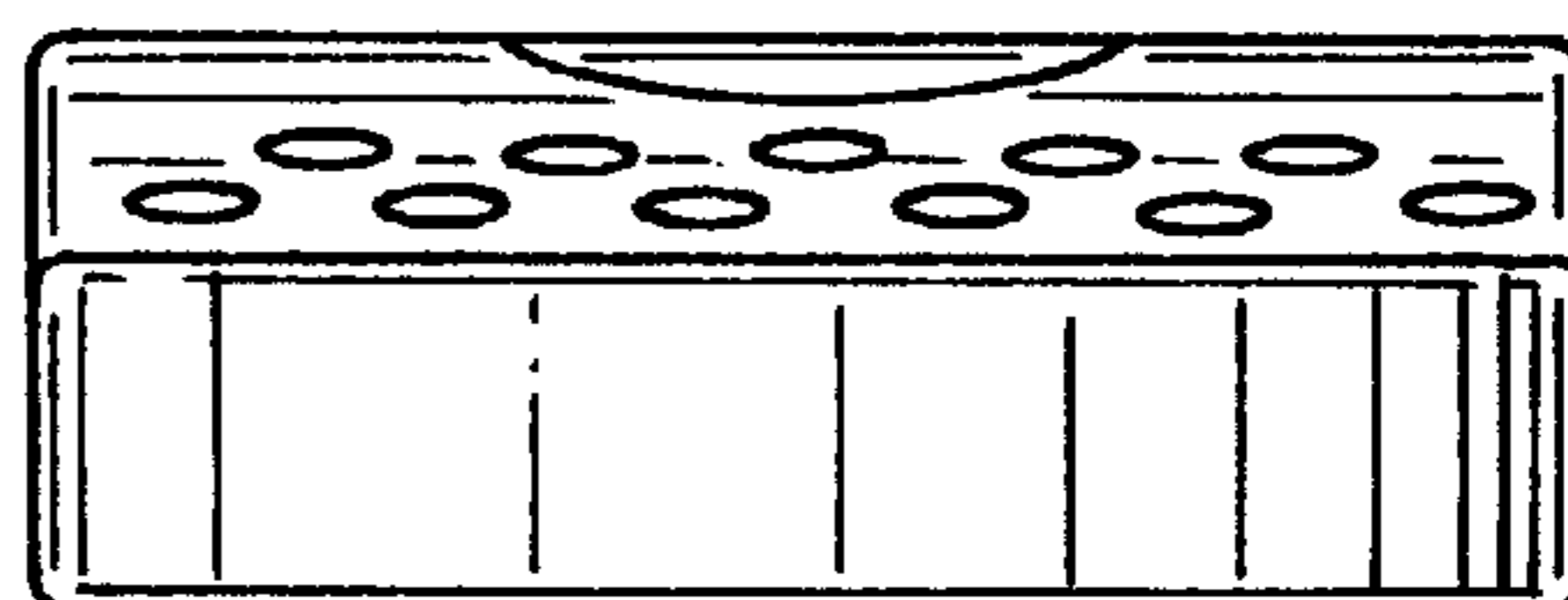


FIG. 6

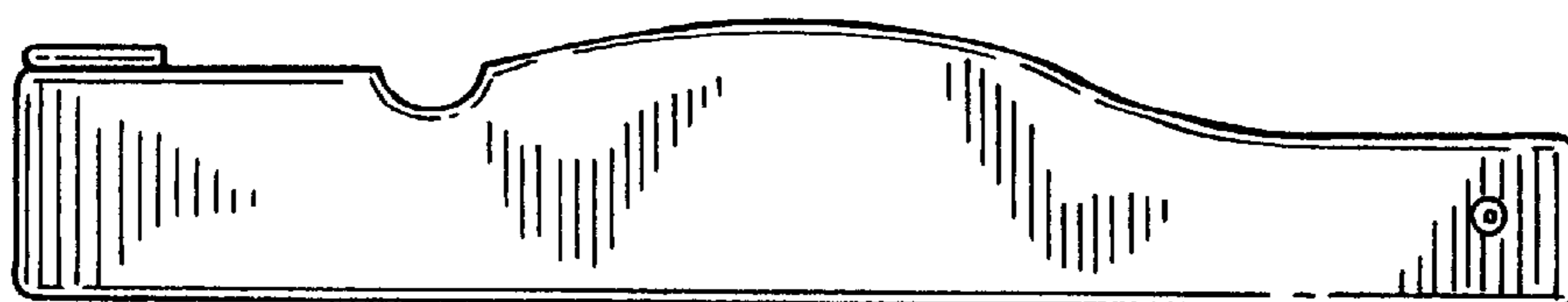


FIG. 7



FIG. 8