



US00D403192S

# United States Patent [19] Papke

[11] **Patent Number: Des. 403,192**

[45] **Date of Patent: \*\*Dec. 29, 1998**

[54] **BOOKWORM BOOKSHELF**

[76] Inventor: **William Charles Papke**, 1811 Midway Dr., Rockford, Ill. 61103

[\*\*] Term: **14 Years**

[21] Appl. No.: **57,444**

[22] Filed: **Jul. 25, 1996**

[51] **LOC (6) Cl. .... 06-04**

[52] **U.S. Cl. .... D6/574; D6/564**

[58] **Field of Search** ..... D6/574, 572, 553, D6/557, 567, 564; D19/34.1-34.5; 211/42, 43, 134, 135, 86, 87, 13.1, 90, 126; 248/205.5, 206.2, 202.4

[56] **References Cited**

**U.S. PATENT DOCUMENTS**

- D. 90,164 6/1933 Ogden ..... D6/572
- D. 158,057 4/1950 Engel ..... 211/42 X

- D. 168,455 12/1952 Johnson ..... D6/572
- D. 241,295 9/1976 Entin ..... D19/34.1 X
- D. 289,774 5/1987 Van Pelt Meekins ..... D19/34.1
- 4,099,624 7/1978 McKearin ..... 211/42
- 4,535,896 8/1985 Evenson ..... 211/41

*Primary Examiner*—Pamela Burgess  
*Attorney, Agent, or Firm*—Keith Frantz

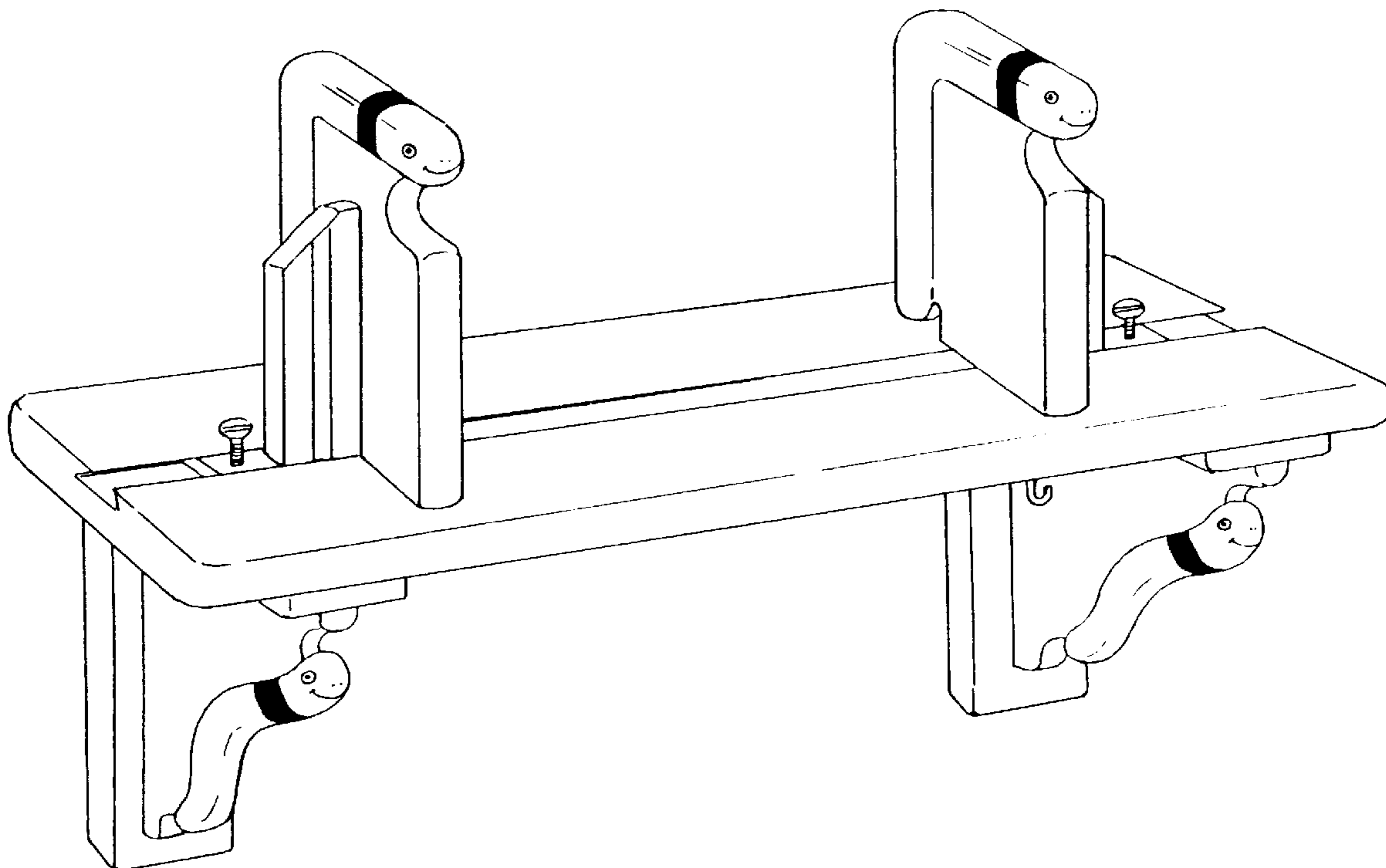
[57] **CLAIM**

The ornamental design for a bookworm bookshelf, as shown and described.

**DESCRIPTION**

FIG. 1 is a left side view of a bookshelf showing my new design, the right side view being a mirror image thereof; FIG. 2 is a front elevational view thereof; FIG. 3 is a back view thereof; and, FIG. 4 is a front perspective view thereof.

**1 Claim, 4 Drawing Sheets**



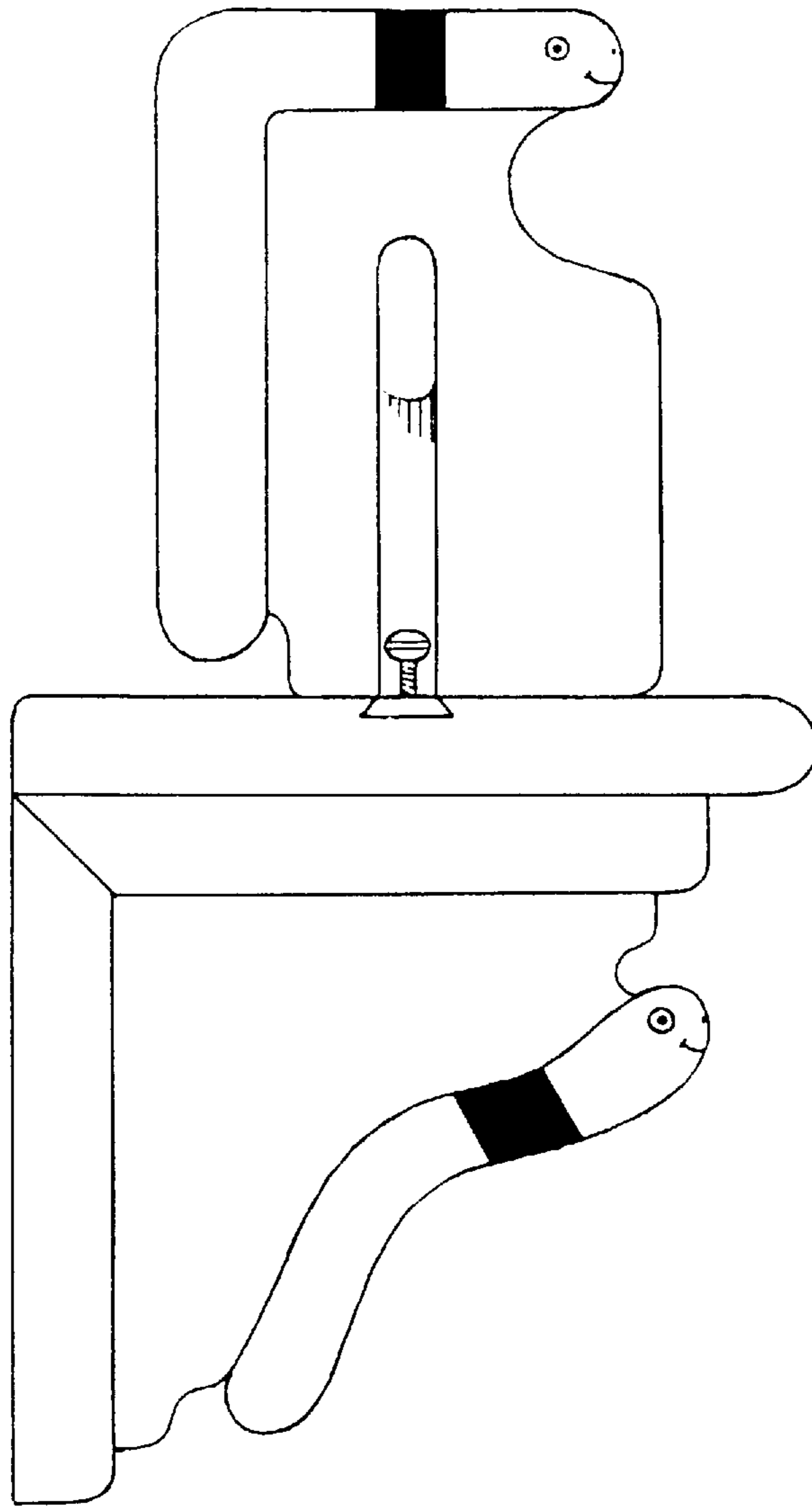


FIG. 1

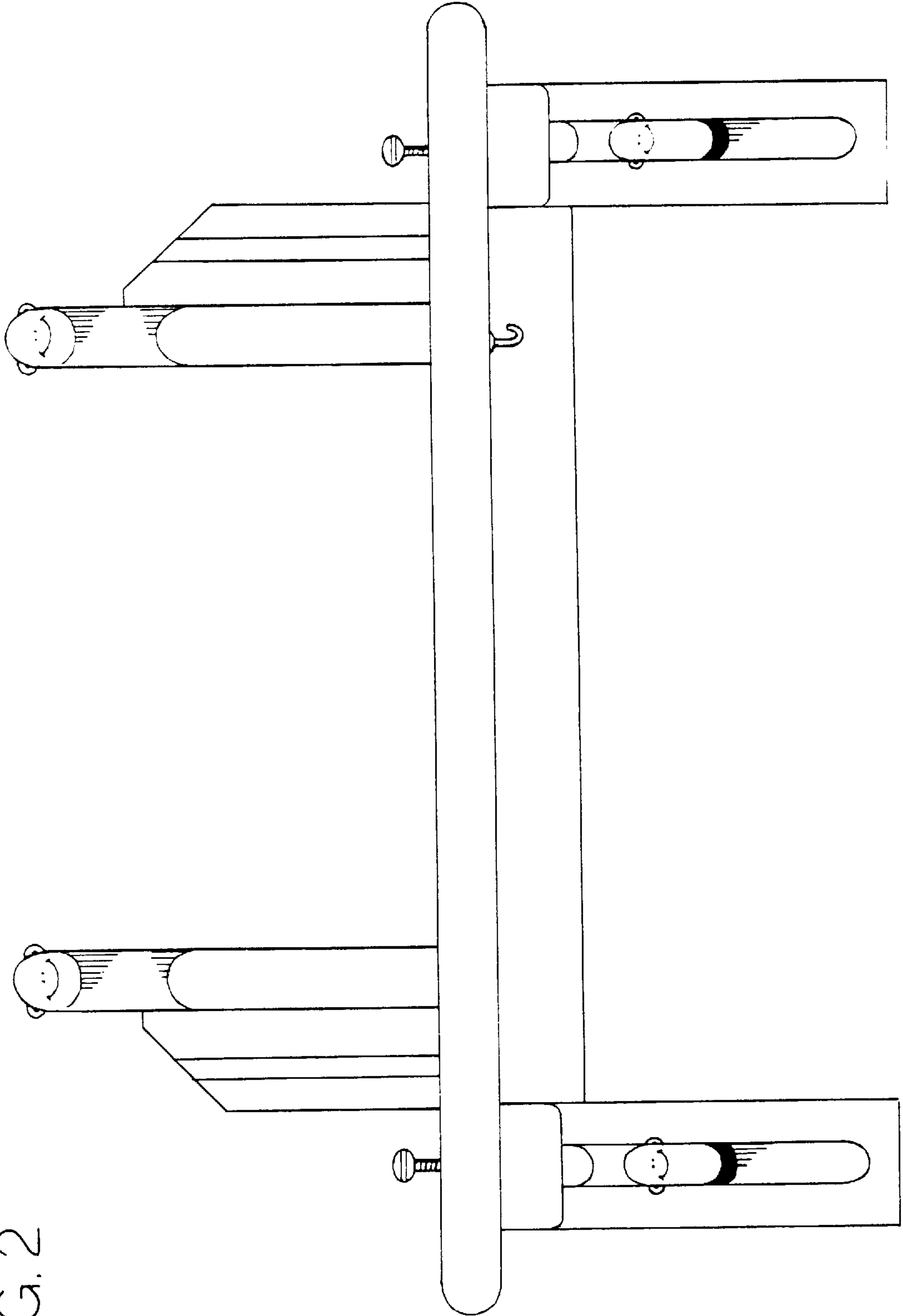


FIG. 2

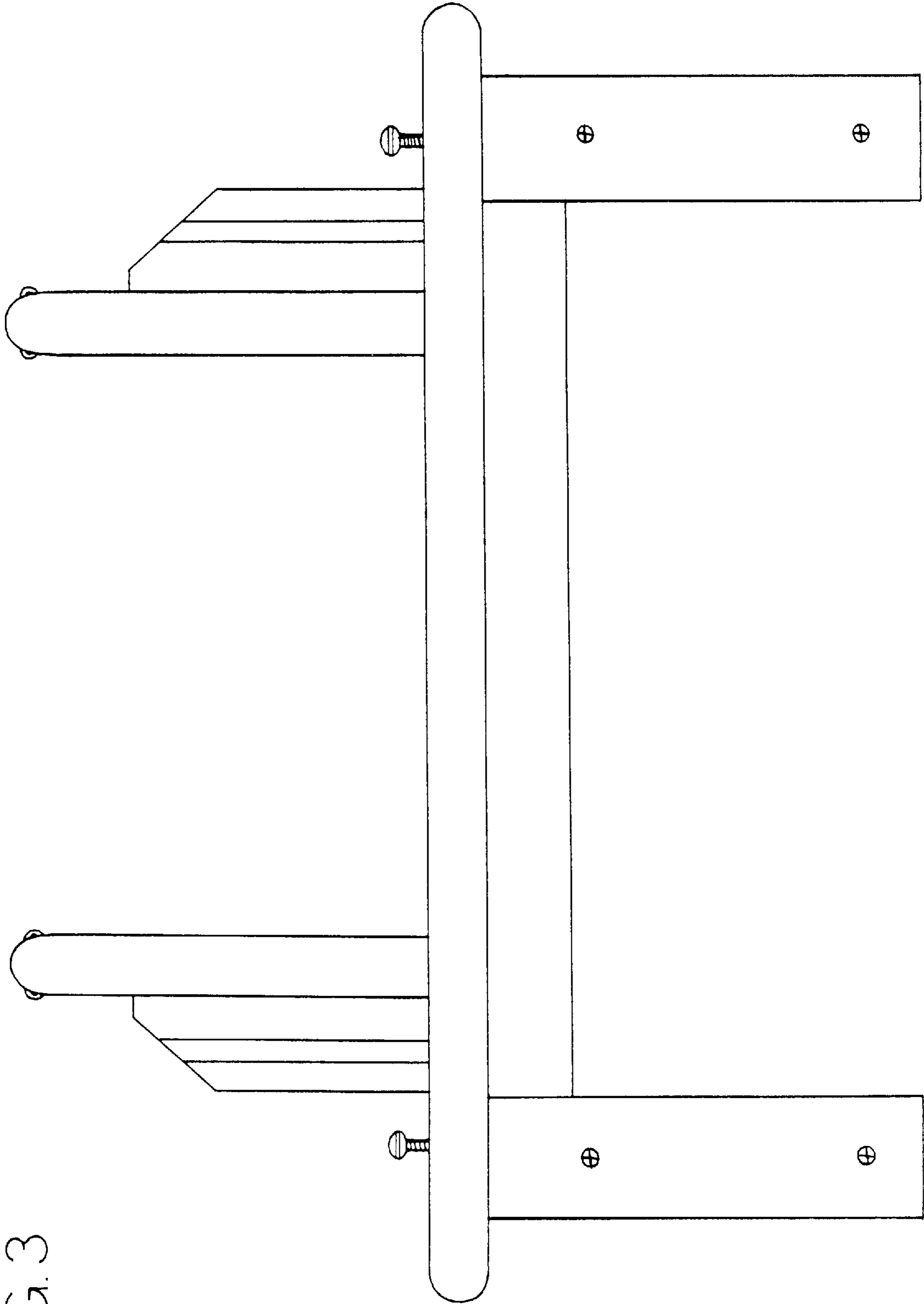


FIG. 3

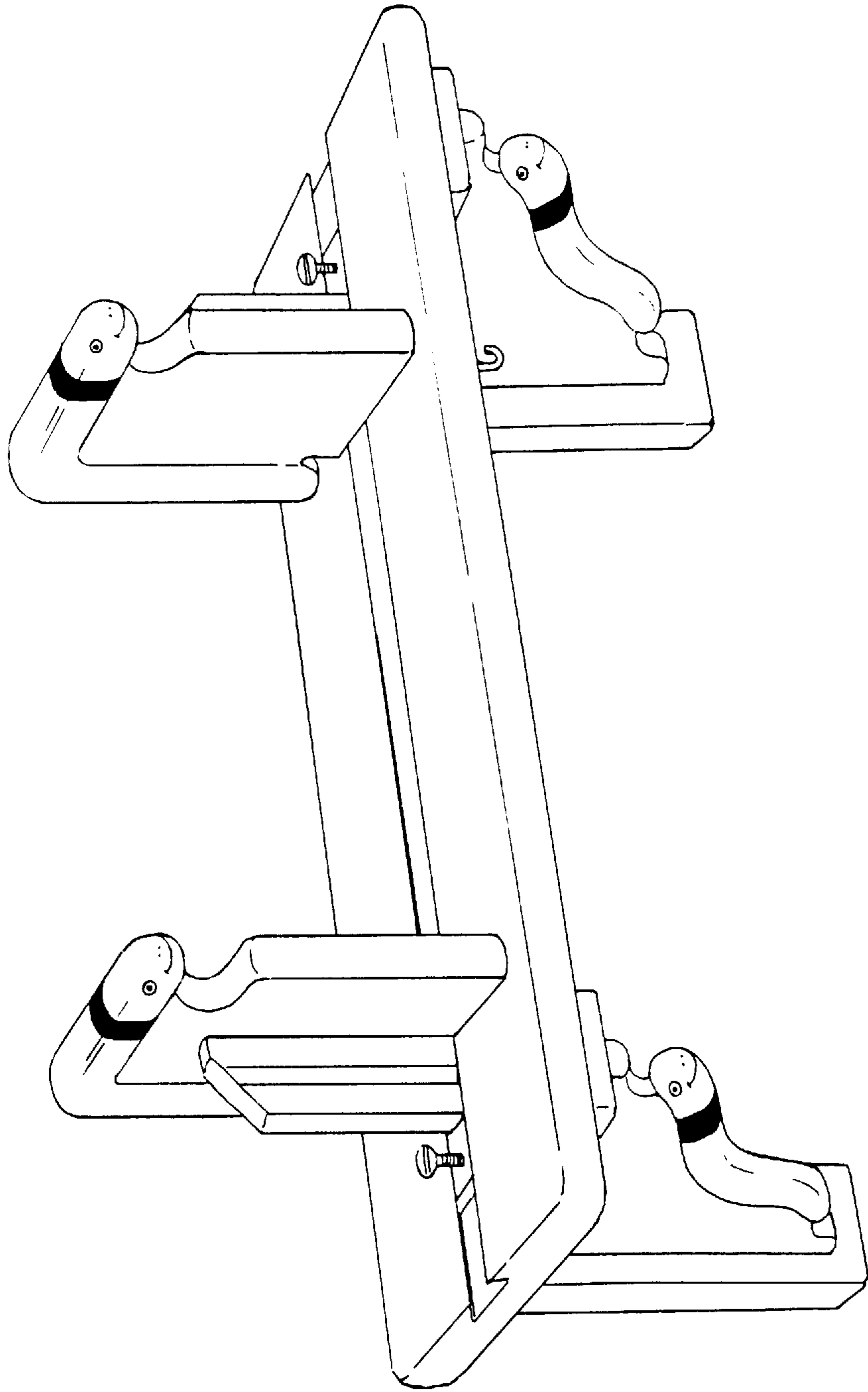


FIG. 4