



US00D403191S

United States Patent [19]

Paul et al.

[11] **Patent Number: Des. 403,191**

[45] **Date of Patent: **Dec. 29, 1998**

[54] **ROLL HOLDER**

[75] Inventors: **Gary A. Paul**, Ossining; **Jonathan B. Paul**, Scarsdale, both of N.Y.; **Richard J. Paul**, Teaneck, N.J.

[73] Assignee: **Paul Decorative Products, Inc.**, Bronx, N.Y.

[**] Term: **14 Years**

[21] Appl. No.: **75,508**

[22] Filed: **Aug. 19, 1997**

[51] **LOC (6) Cl. 07-07**

[52] **U.S. Cl. D6/523**

[58] **Field of Search** D6/522, 523, 549, D6/550; 211/13.1, 86, 87; 242/570, 590, 555, 596, 598; 312/34.8

[56] **References Cited**

U.S. PATENT DOCUMENTS

D. 327,193	6/1992	Crook et al.	D6/523
2,477,362	7/1949	Cavalieri	D6/523 X
2,948,486	9/1960	Epeneter .	
4,553,710	11/1985	Pool .	
4,662,576	5/1987	Paul .	

OTHER PUBLICATIONS

U.S. application No. 08/914,725, Gary A. Paul et al., filed Aug. 19, 1997, entitled "Rolled Material Holder and Dispenser".

Primary Examiner—Brian N. Vinson
Attorney, Agent, or Firm—Darby & Darby

[57] **CLAIM**

The ornamental design for roll holder, as shown and described.

DESCRIPTION

FIG. 1 is a perspective view, from the front top side, of roll holder showing our new design having arms in a lowered position;

FIG. 2 is a front plan view thereof;

FIG. 3 is a left side plan view thereof, with the right side being a mirror image of the left side;

FIG. 4 is a rear plan view thereof;

FIG. 5 is a top plan view thereof;

FIG. 6 is a bottom plan view thereof;

FIG. 7 is another perspective view, from the front top side, of roll holder of FIG. 1 having arms in a raised position; and,

FIG. 8 is a front plan view of the roll holder of FIG. 7;

The broken-line disclosure in the views is for illustrative purposes only and forms no part of the claimed design.

1 Claim, 3 Drawing Sheets

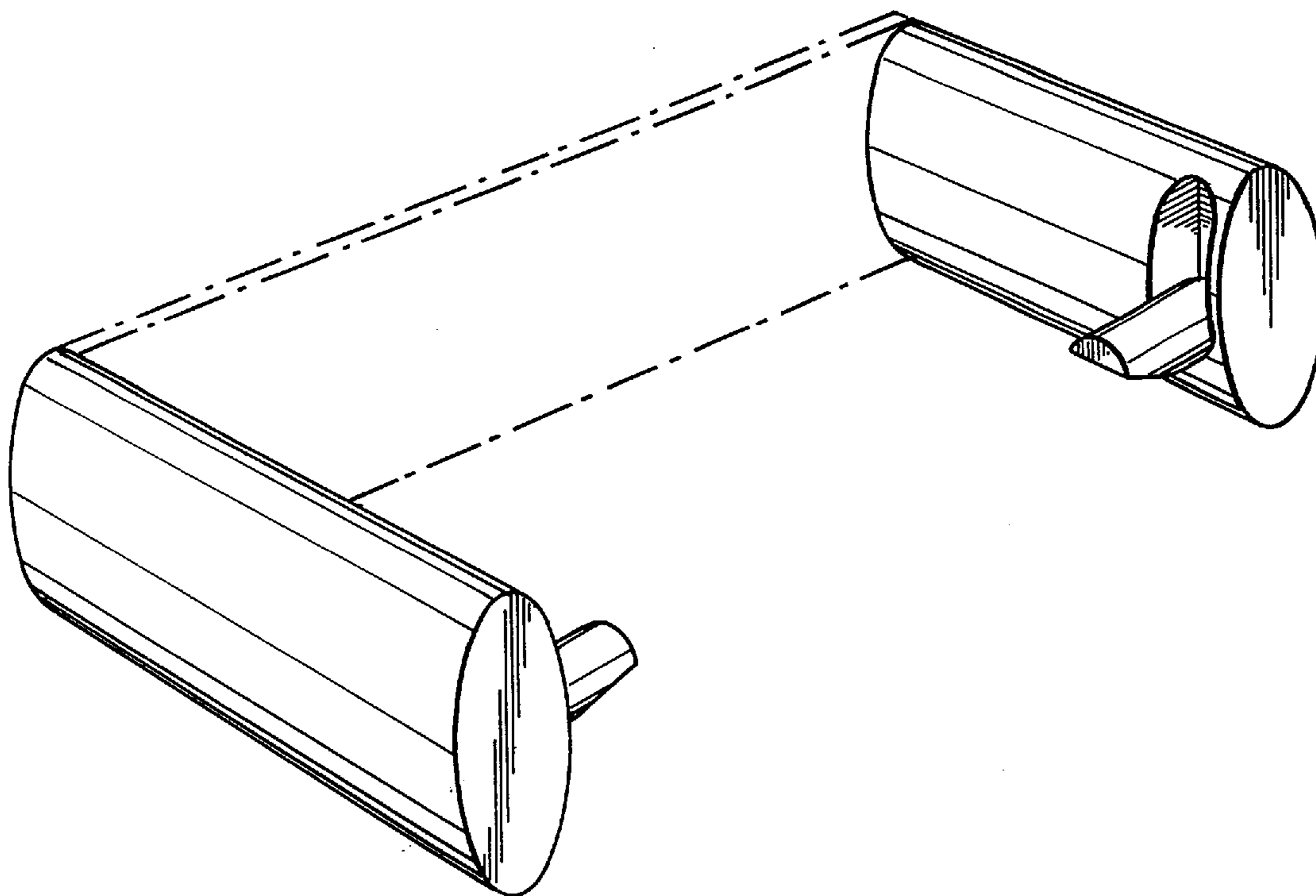


FIG. 1

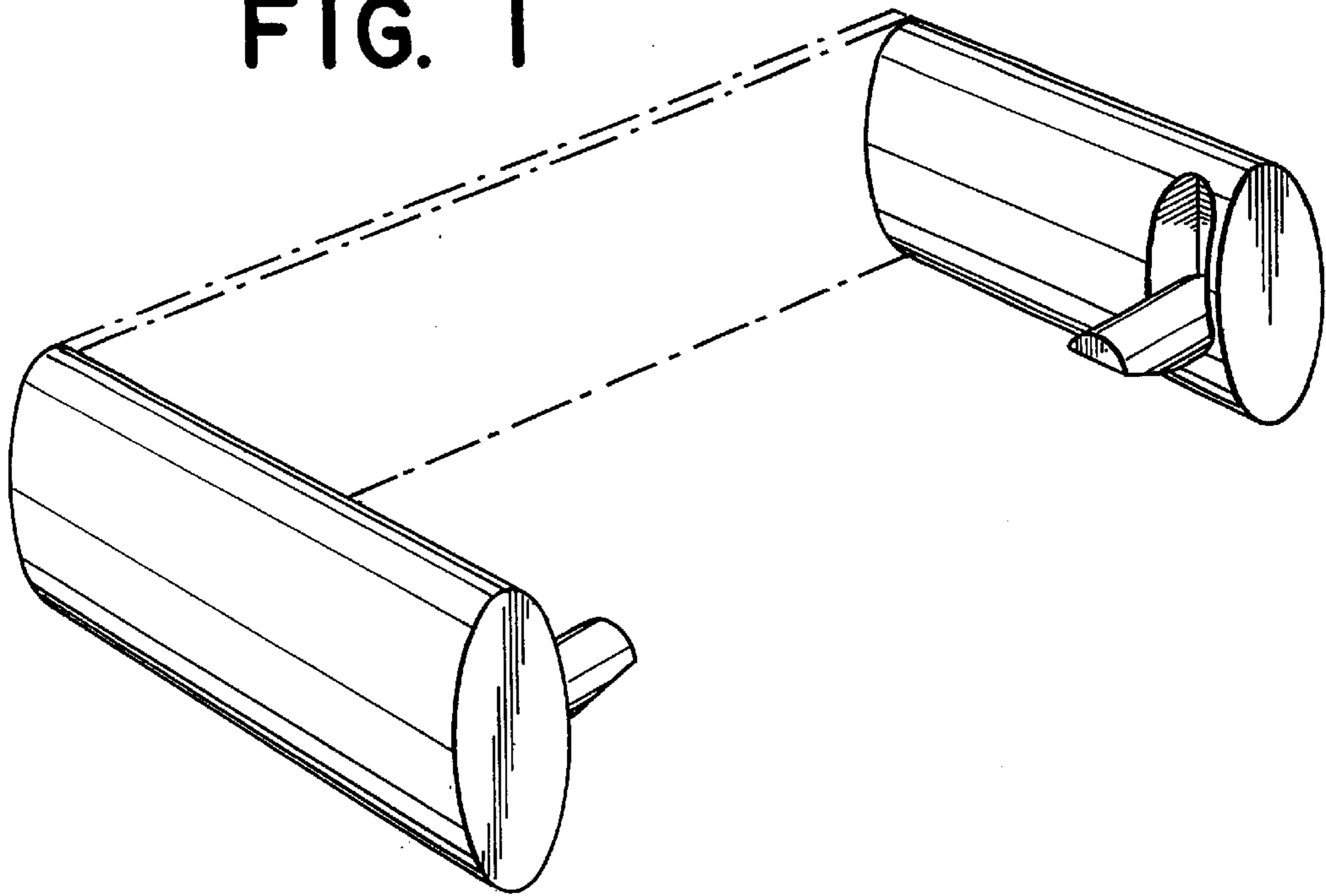


FIG. 2



FIG. 3

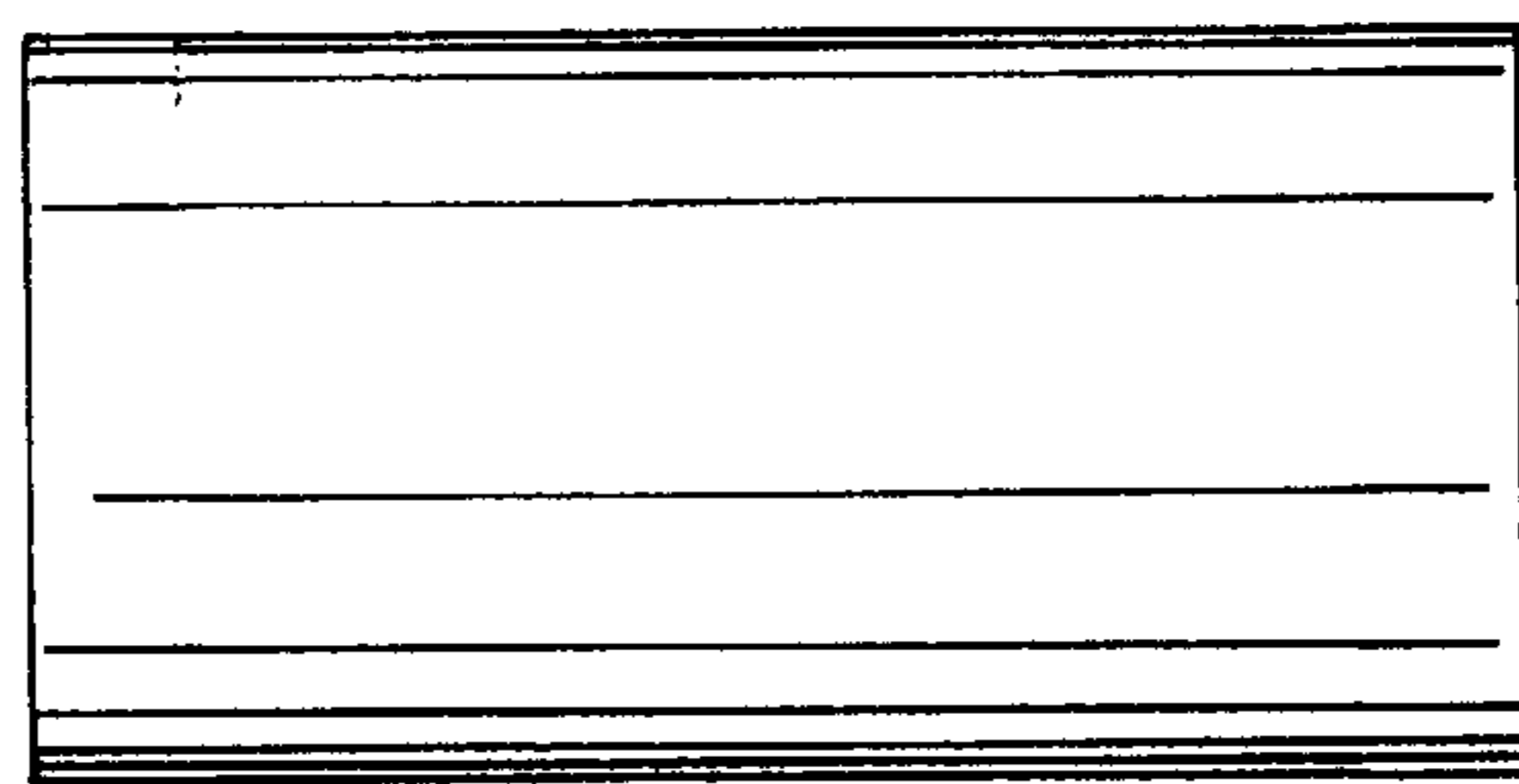


FIG. 4



FIG. 5



FIG. 6



FIG. 7

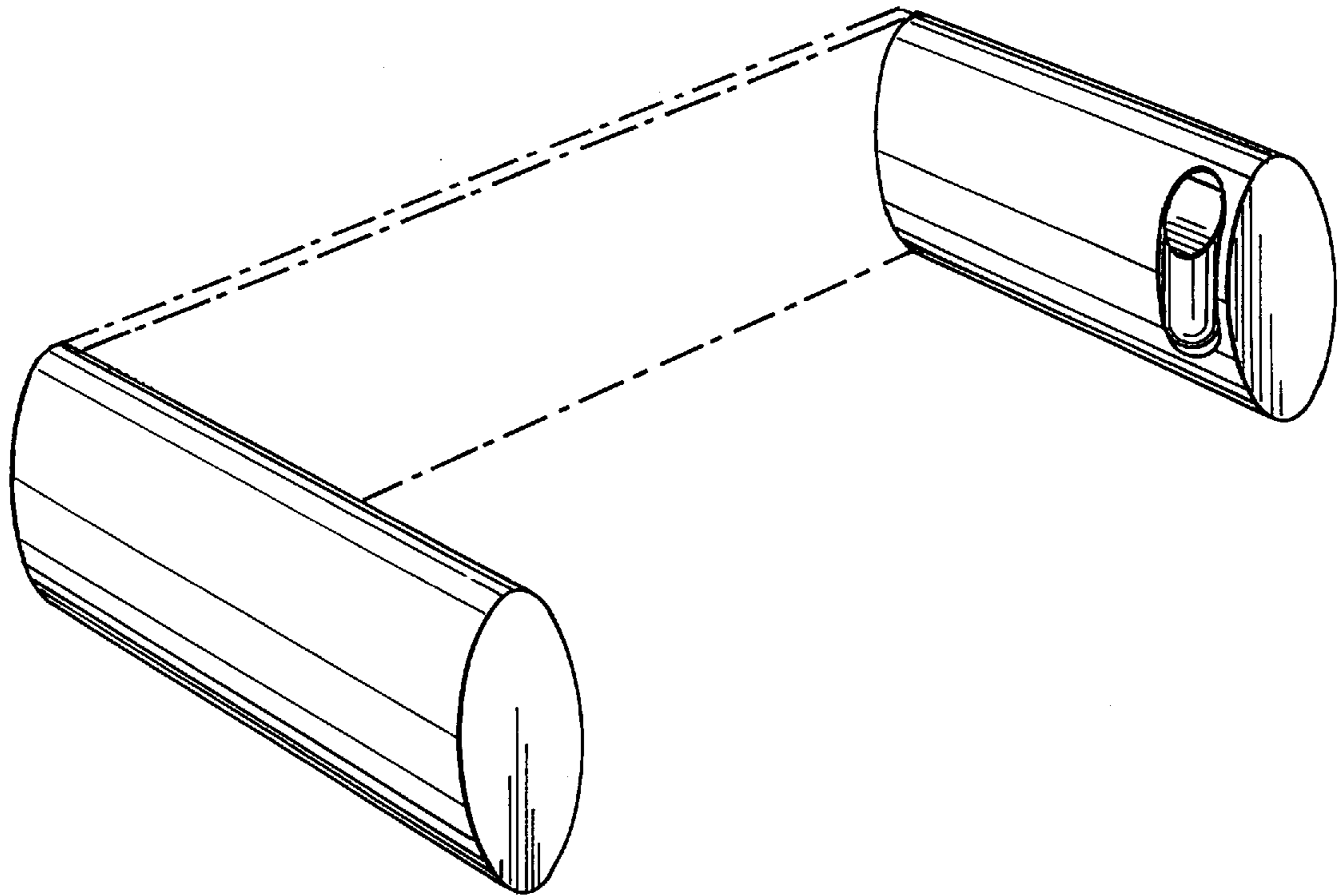


FIG. 8

