



US00D403189S

United States Patent [19]

Isaacson

[11] **Patent Number: Des. 403,189**

[45] **Date of Patent: **Dec. 29, 1998**

[54] **BEVELED GLASS TISSUE DISPENSER**

D. 303,400 9/1989 Higgins, Jr. D19/86
3,791,601 2/1974 Broden 312/34.8

[76] Inventor: **Howard Isaacson, 77 St. George Pl.,
Palm Beach Gardens, Fla. 33418**

Primary Examiner—Kay H. Chin
Attorney, Agent, or Firm—Michael A. Slavin

[**] Term: **14 Years**

[57] **CLAIM**

[21] Appl. No.: **22,661**

The ornamental design for a beveled glass tissue dispenser,
as shown and described.

[22] Filed: **May 10, 1994**

DESCRIPTION

[51] **LOC (6) Cl. 23-02**

[52] **U.S. Cl. D6/518**

[58] **Field of Search D6/518, 522, 519,
D6/512, 523; 312/34.1, 34.4**

FIG. 1 is a top plan view of a beveled glass tissue dispenser
showing my new design;

FIG. 2 is a left side elevational view thereof;

FIG. 3 is a right side elevational view thereof;

FIG. 4 is a bottom view of thereof, showing the open bottom
and view of the interior of the top; and,

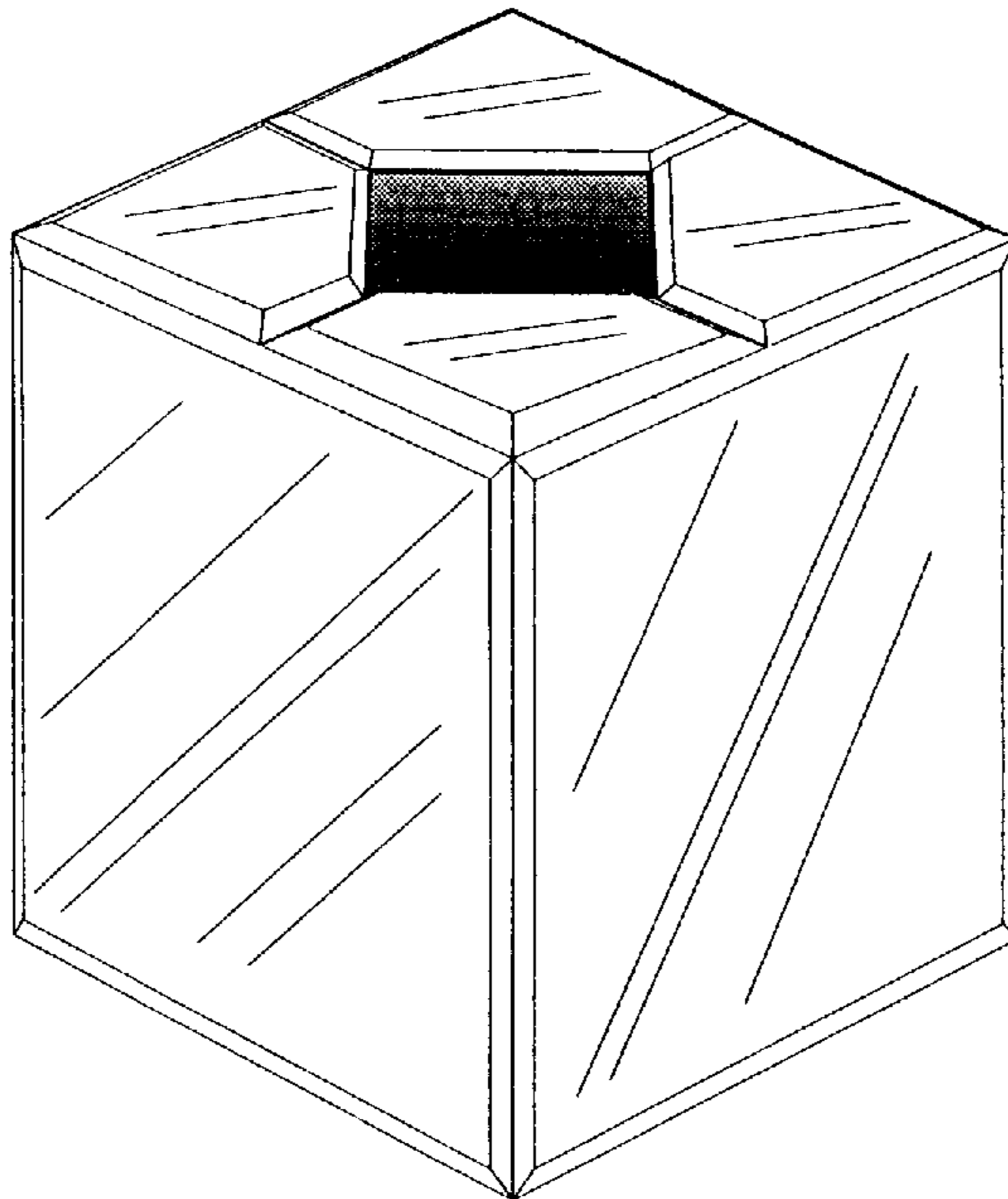
FIG. 5 is a top perspective view thereof.

[56] **References Cited**

U.S. PATENT DOCUMENTS

D. 184,218 1/1959 Fishman D6/518
D. 205,629 8/1966 Hartley D6/518
D. 237,820 11/1975 Hägglund D6/522

1 Claim, 1 Drawing Sheet



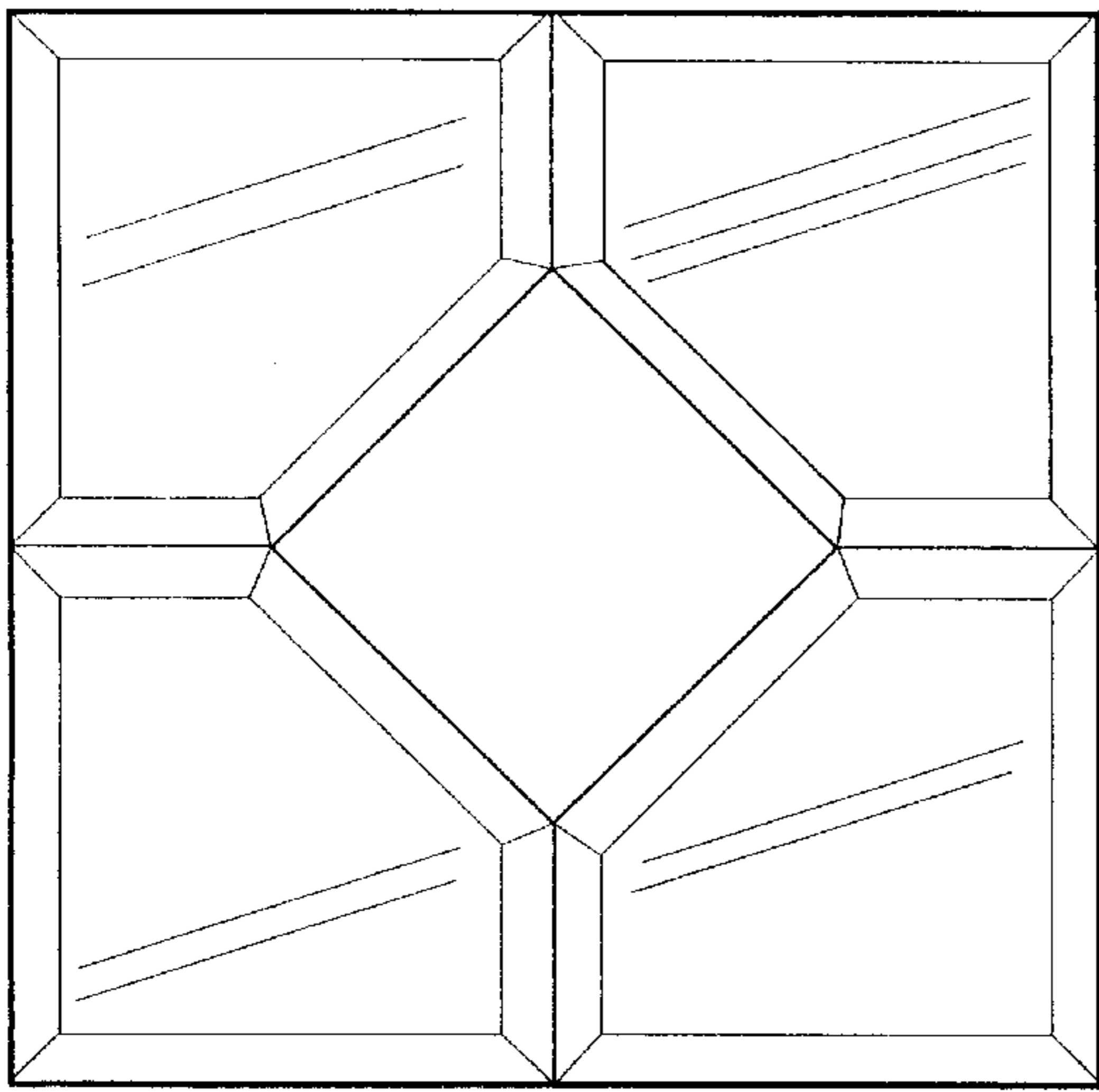


Fig. 1

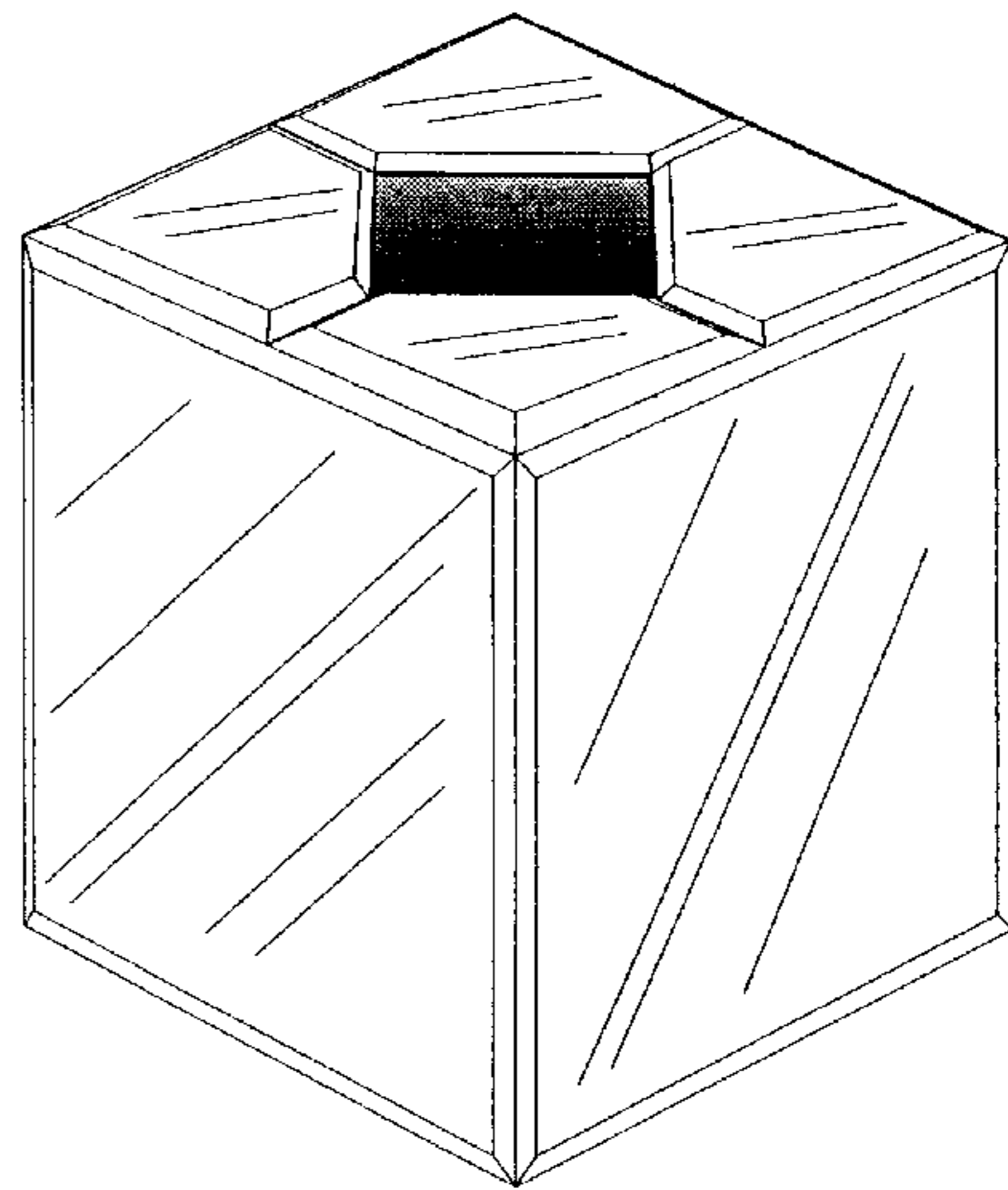


Fig. 5

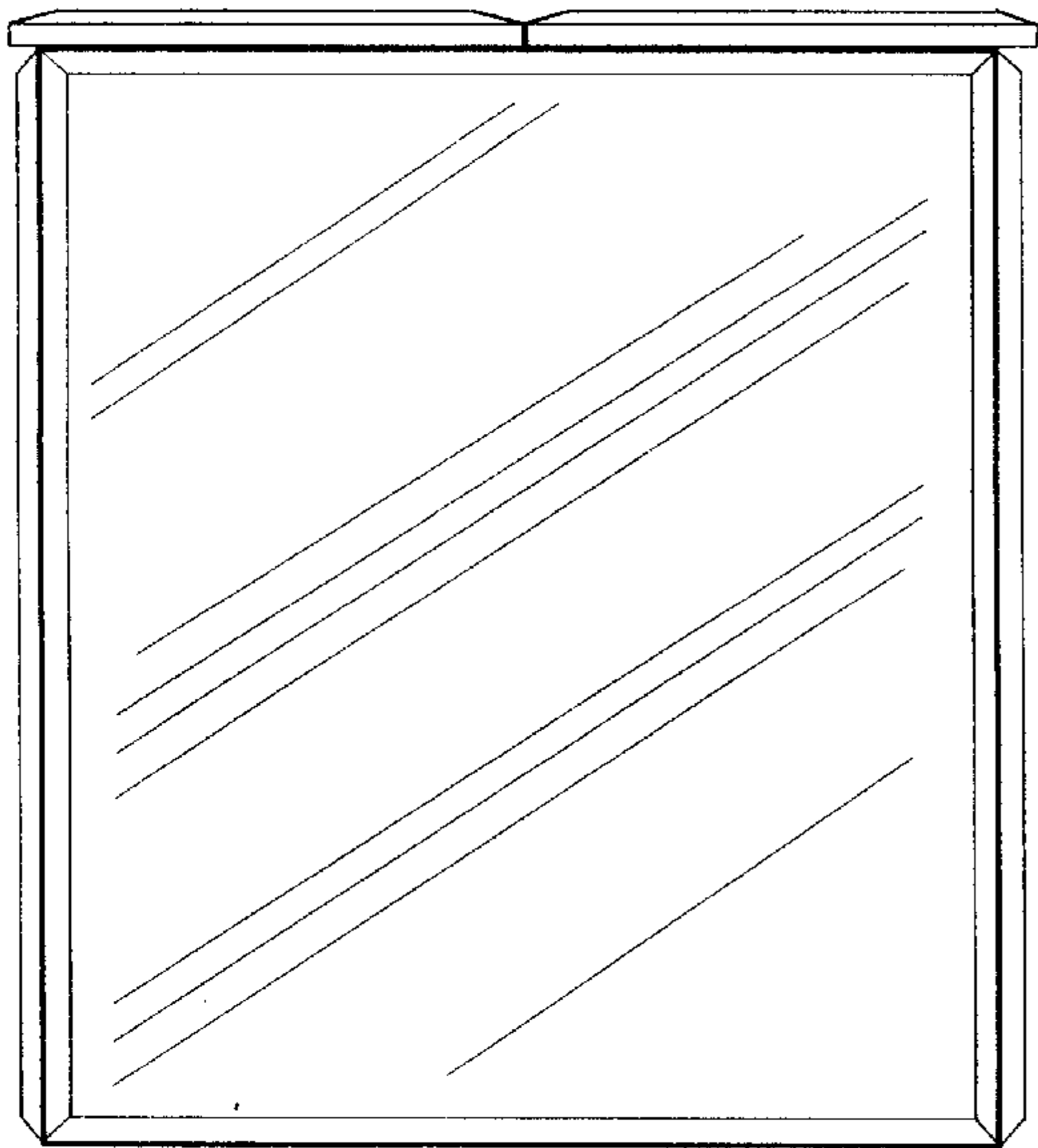


Fig. 2

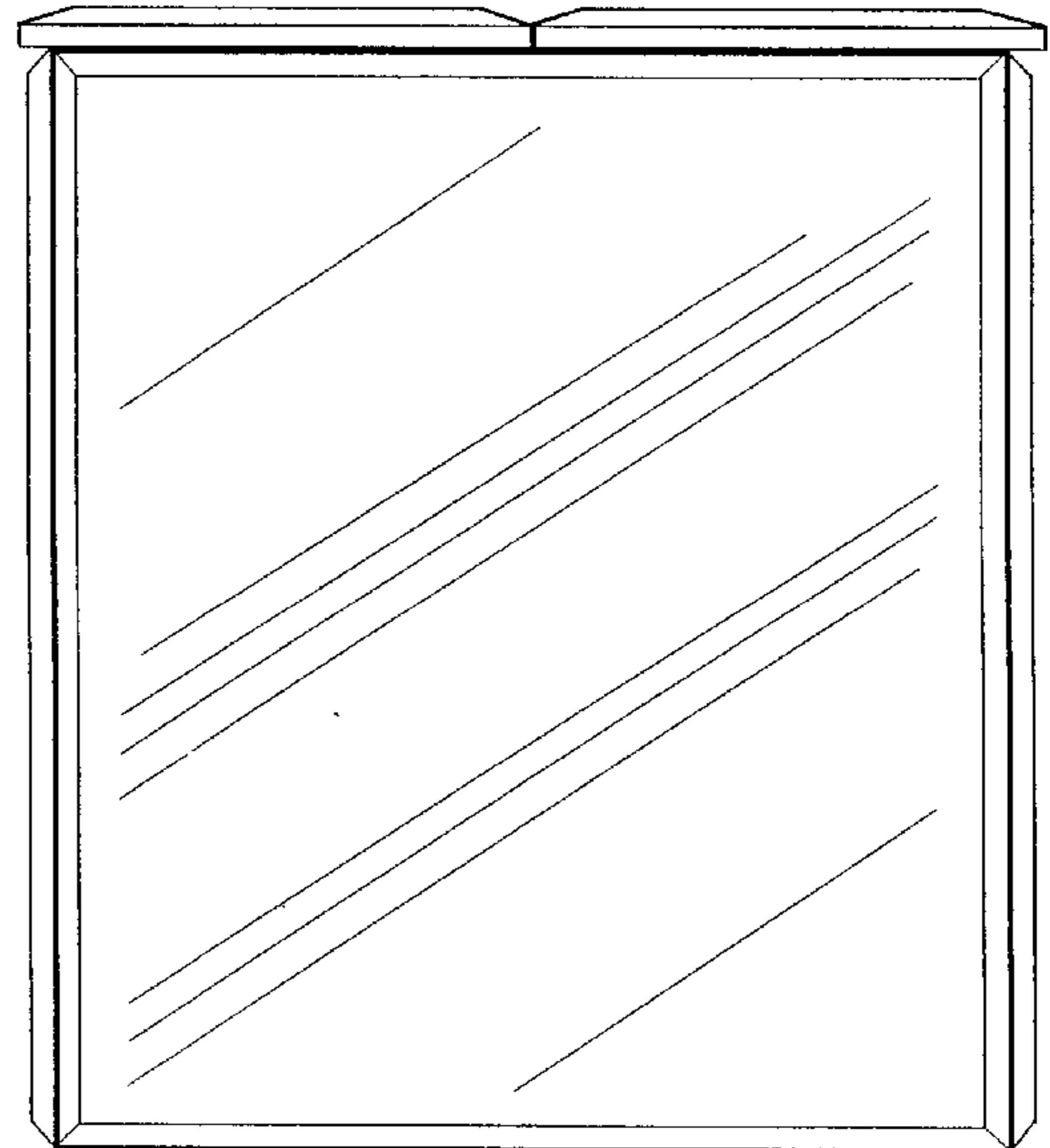


Fig. 3

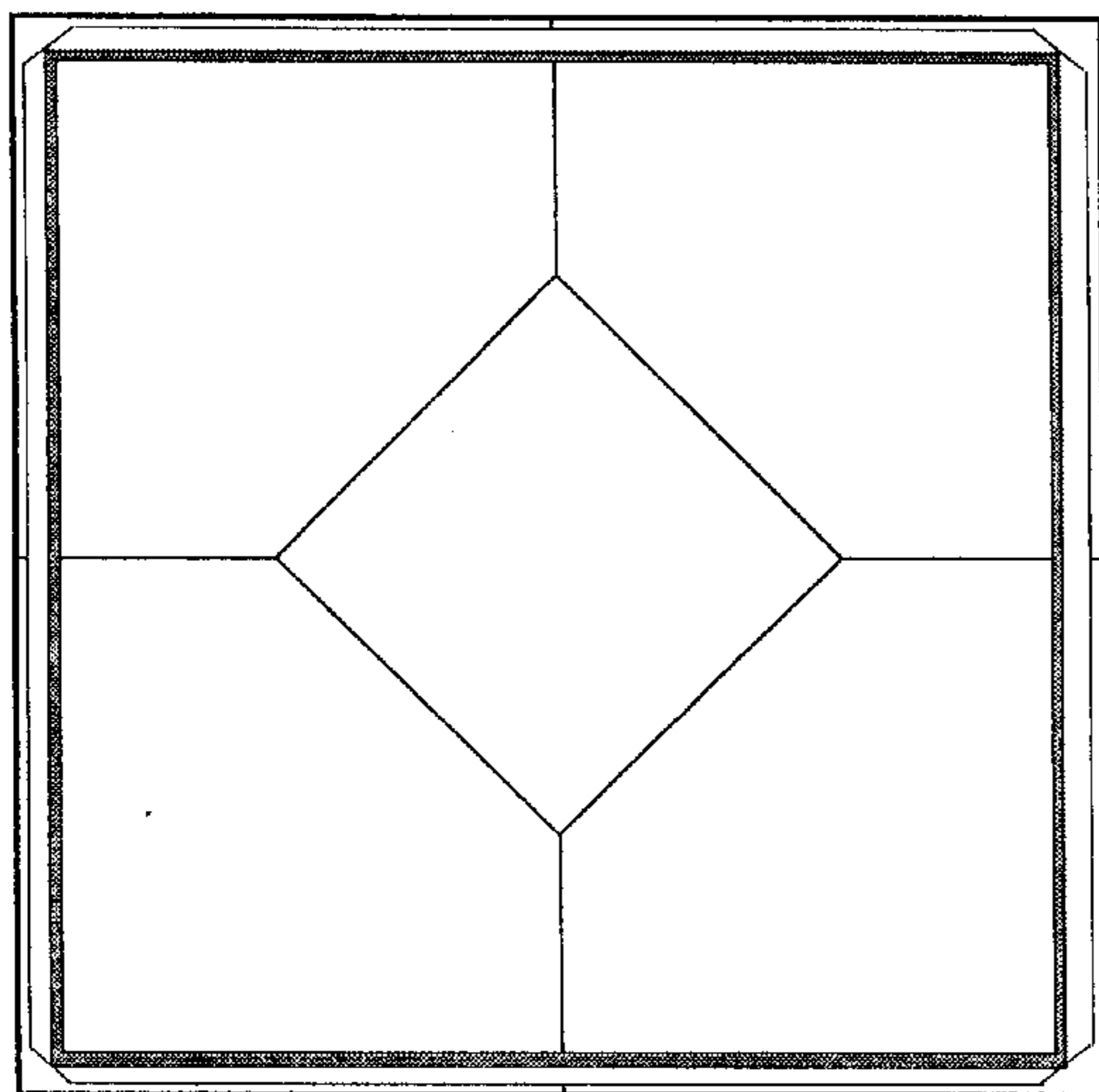


Fig. 4