



US00D403186S

United States Patent [19] Kopish

[11] **Patent Number: Des. 403,186**

[45] **Date of Patent: **Dec. 29, 1998**

[54] **WORKSURFACE TOP**

[75] Inventor: **Andrew J. Kopish**, Green Bay, Wis.

[73] Assignee: **Krueger International, Inc.**, Green Bay, Wis.

[**] Term: **14 Years**

[21] Appl. No.: **58,654**

[22] Filed: **Aug. 29, 1996**

[51] **LOC (6) Cl.** **06-06**

[52] **U.S. Cl.** **D6/511; D6/482**

[58] **Field of Search** D6/480-489, 511,
D6/406, 400, 421, 423; 108/43, 153, 156,
157

- D. 242,832 12/1976 Swensson .
- D. 247,080 1/1978 Robinson D6/485
- D. 261,083 10/1981 Bogert et al. .
- D. 275,352 9/1984 Foyle .
- 322,942 7/1885 Lance D6/406 X
- D. 330,124 10/1992 Short .
- D. 346,913 5/1994 Lechman et al. .
- D. 353,959 1/1995 Kovacevic .
- D. 366,373 1/1996 Reese .
- D. 371,255 7/1996 Richard .
- D. 371,468 7/1996 Sittel et al. .
- 1,293,952 2/1919 Shirley .
- 3,123,935 3/1964 Williams D6/406 X
- 4,422,640 12/1983 Tamarkin 108/43 X
- 4,781,126 11/1988 Lochridge .
- 4,948,205 8/1990 Kelley .

Primary Examiner—Janice E. Seeger
Attorney, Agent, or Firm—Andrus, Scales, Starke & Sawall

[56] **References Cited**

U.S. PATENT DOCUMENTS

- D. 102,035 11/1936 Meyerhoff .
- D. 130,252 11/1941 Oakes D6/406 X
- D. 145,654 10/1946 Bjorksten .
- D. 156,561 12/1949 Rice .
- D. 162,378 3/1951 Burchard .
- D. 162,439 3/1951 O'Connor .
- D. 186,894 12/1959 Henrikson et al. .
- D. 196,053 8/1963 Rowell .
- D. 209,841 1/1968 Eue et al. .
- D. 210,131 2/1968 Rourke .
- D. 215,309 9/1969 Barnes D6/421
- D. 216,712 3/1970 Cooper .
- D. 236,925 9/1975 Clark .
- D. 238,841 2/1976 Goulooze .

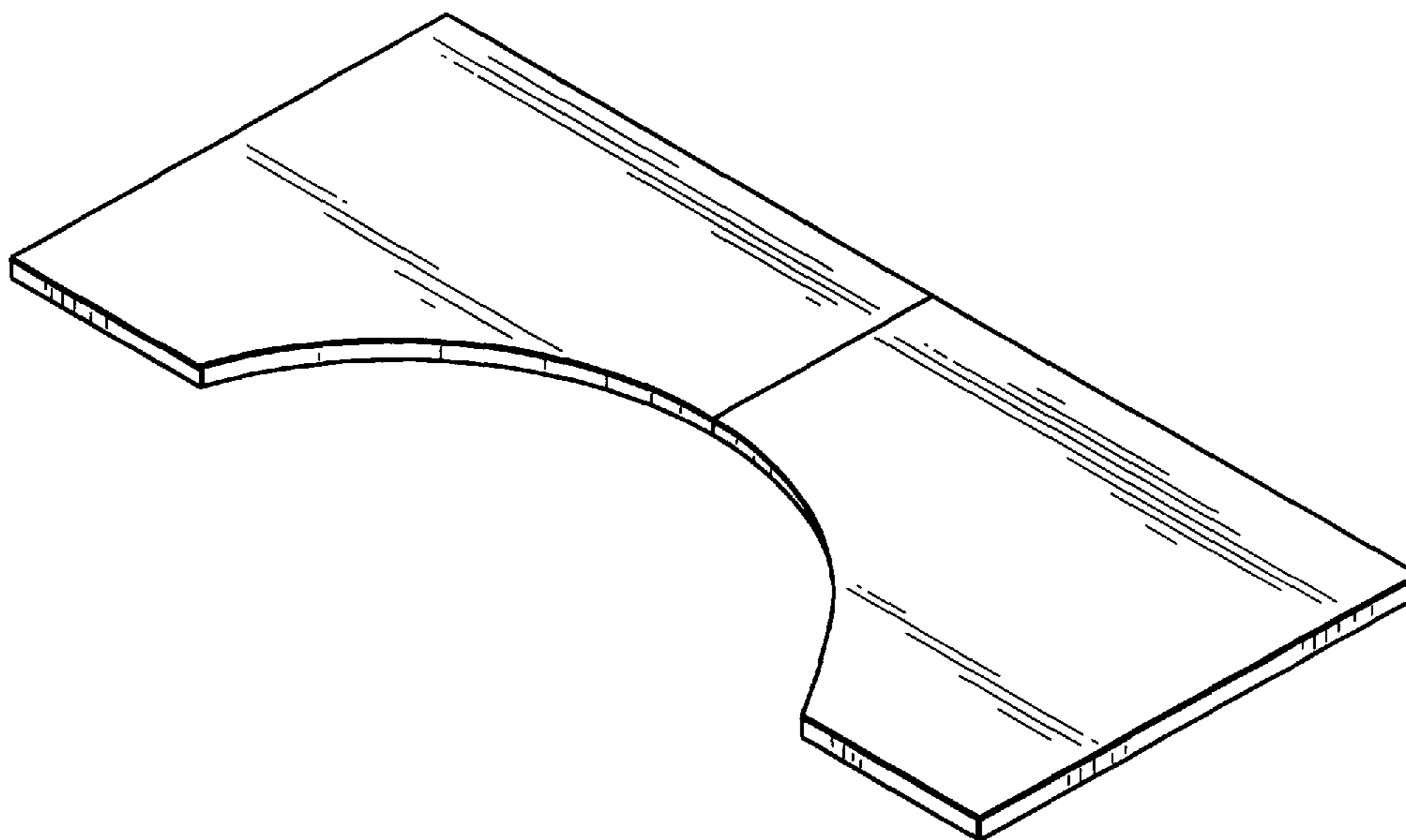
[57] **CLAIM**

The ornamental design for a worksurface top, as shown and described.

DESCRIPTION

FIG. 1 is an isometric view of a worksurface top incorporating my design;
FIG. 2 is a top plan view thereof;
FIG. 3 is a front elevational view thereof;
FIG. 4 is a side elevation view thereof the opposite side being identical thereto; and,
FIG. 5 is a rear elevation view thereof.

1 Claim, 1 Drawing Sheet



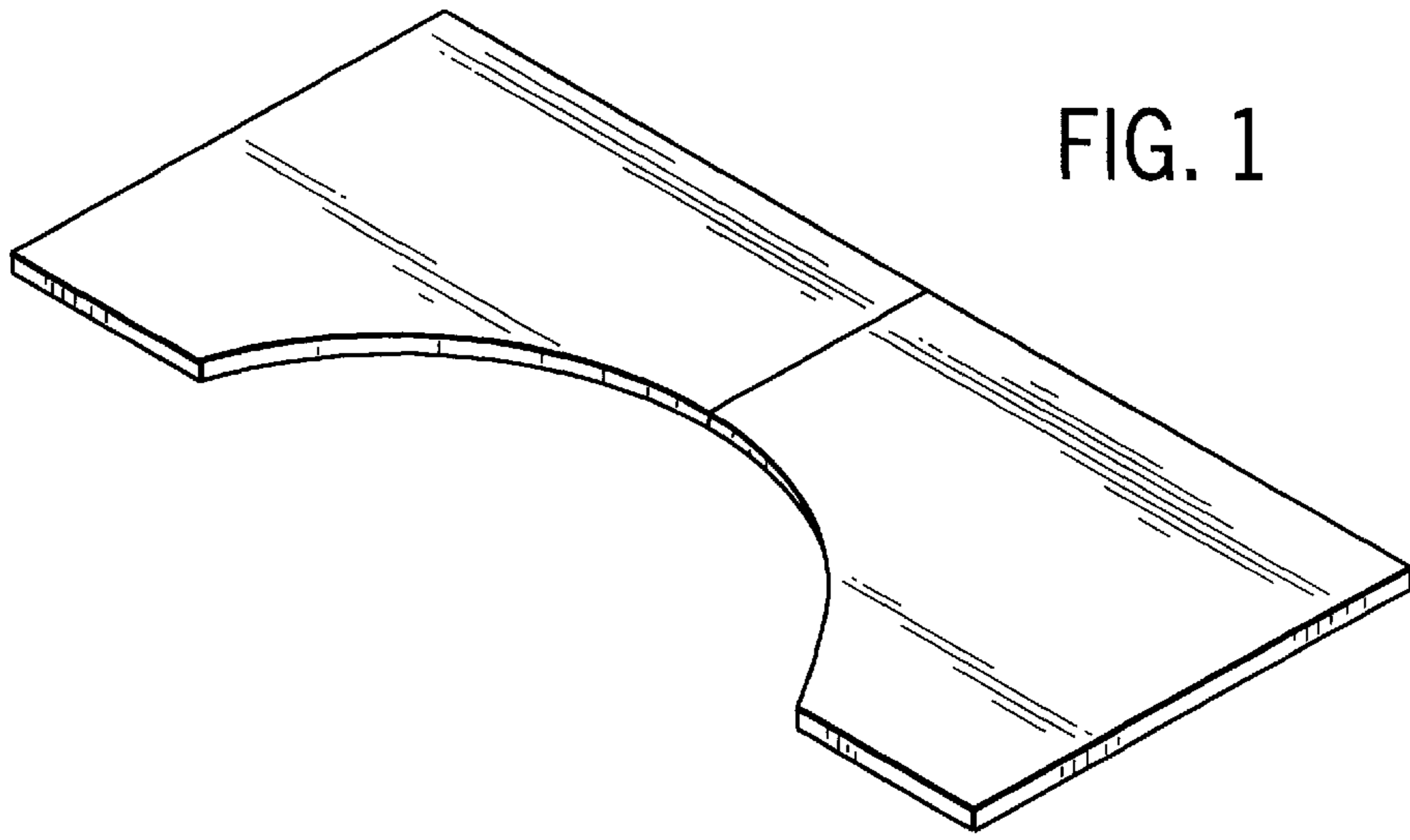


FIG. 1

FIG. 2

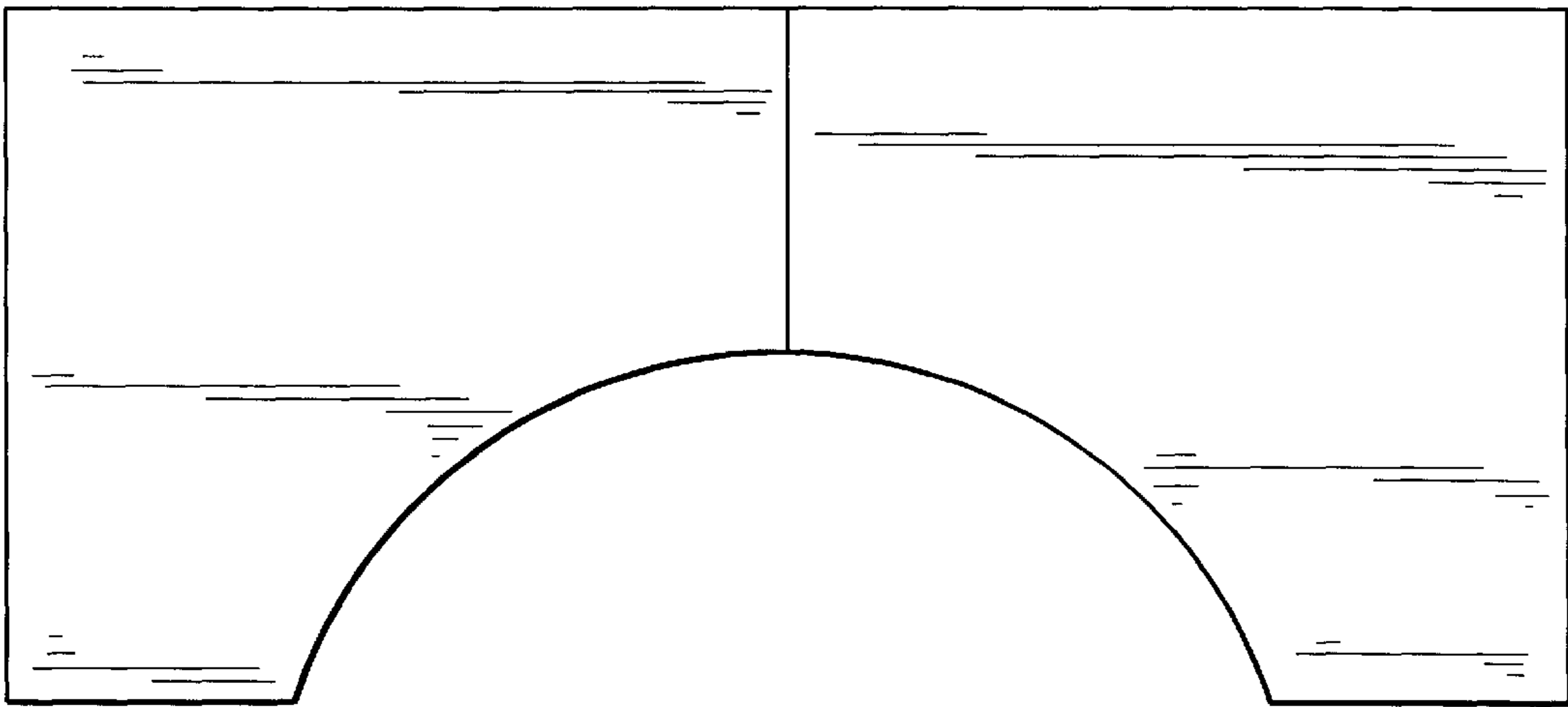


FIG. 3



FIG. 4



FIG. 5

