



US00D403185S

United States Patent [19] Tseng

[11] **Patent Number: Des. 403,185**

[45] **Date of Patent: **Dec. 29, 1998**

[54] **CHAIR ARMREST**

D. 388,269 12/1997 Tedesco et al. D6/501
D. 388,270 12/1997 Schultz et al. D6/501

[75] Inventor: **Chuen-Jong Tseng**, Chiayi Hsien,
Taiwan

Primary Examiner—Gary D. Watson
Attorney, Agent, or Firm—Ladas & Parry

[73] Assignee: **Shin Yen Enterprise Co., Ltd.**, Taiwan

[57] **CLAIM**

[**] Term: **14 Years**

The ornamental design for a chair armrest, as shown and described.

[21] Appl. No.: **81,942**

[22] Filed: **Jan. 12, 1998**

DESCRIPTION

[51] **LOC (6) Cl.** **06-06**

FIG. 1 is a perspective view of a chair armrest showing my new design;

[52] **U.S. Cl.** **D6/501**

FIG. 2 is a front elevational view thereof;

[58] **Field of Search** D6/334, 364, 365,
D6/366, 367, 379, 500, 501, 502; 297/411.2

FIG. 3 is a rear elevational view thereof;

FIG. 4 is a left side elevational view thereof;

FIG. 5 is a right side elevational view thereof;

FIG. 6 is a top plan view thereof; and,

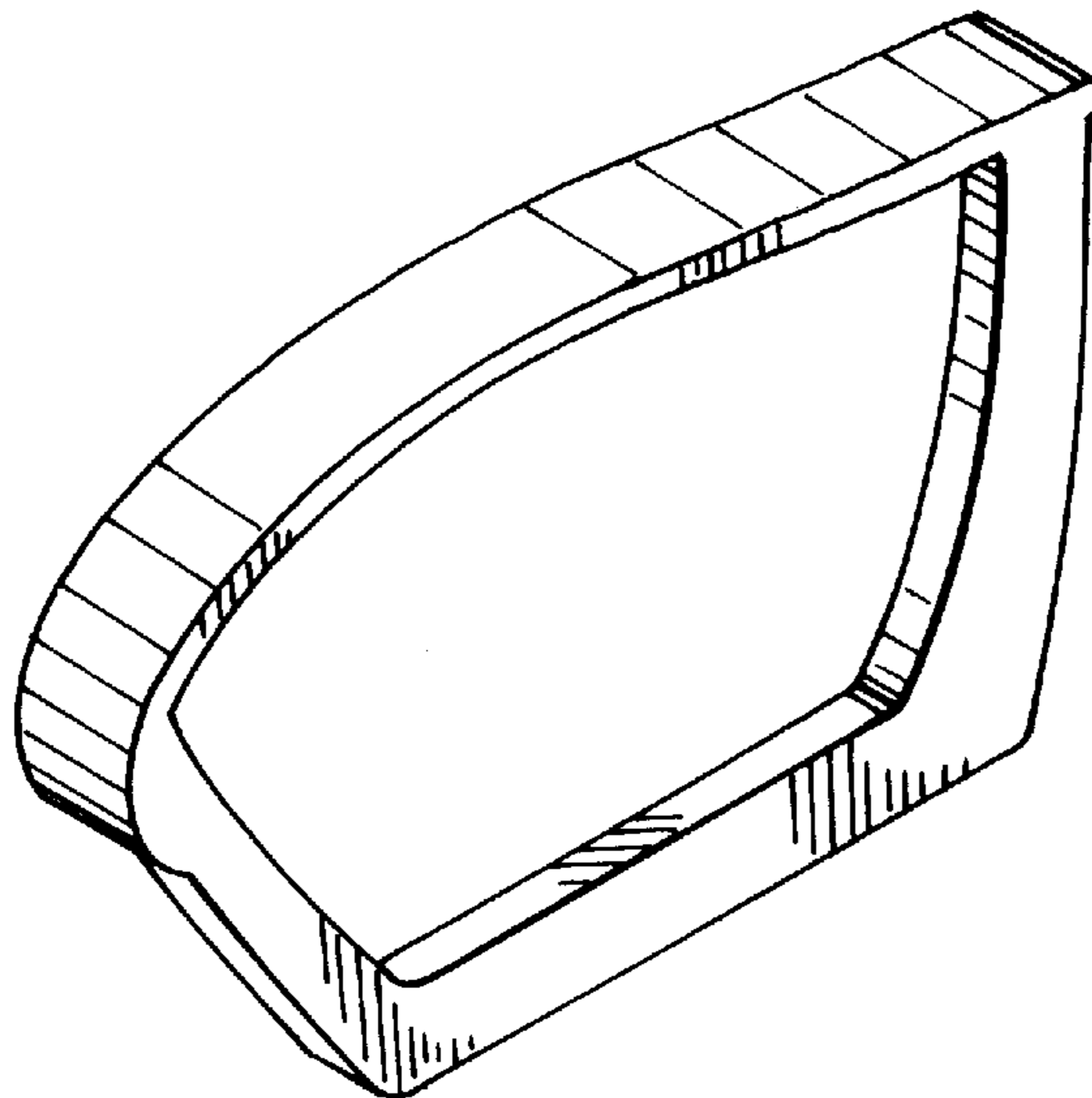
FIG. 7 is a bottom plan view thereof.

[56] **References Cited**

U.S. PATENT DOCUMENTS

D. 366,792 2/1996 McDiarmid D6/501
D. 382,738 8/1997 Chen D6/501

1 Claim, 3 Drawing Sheets



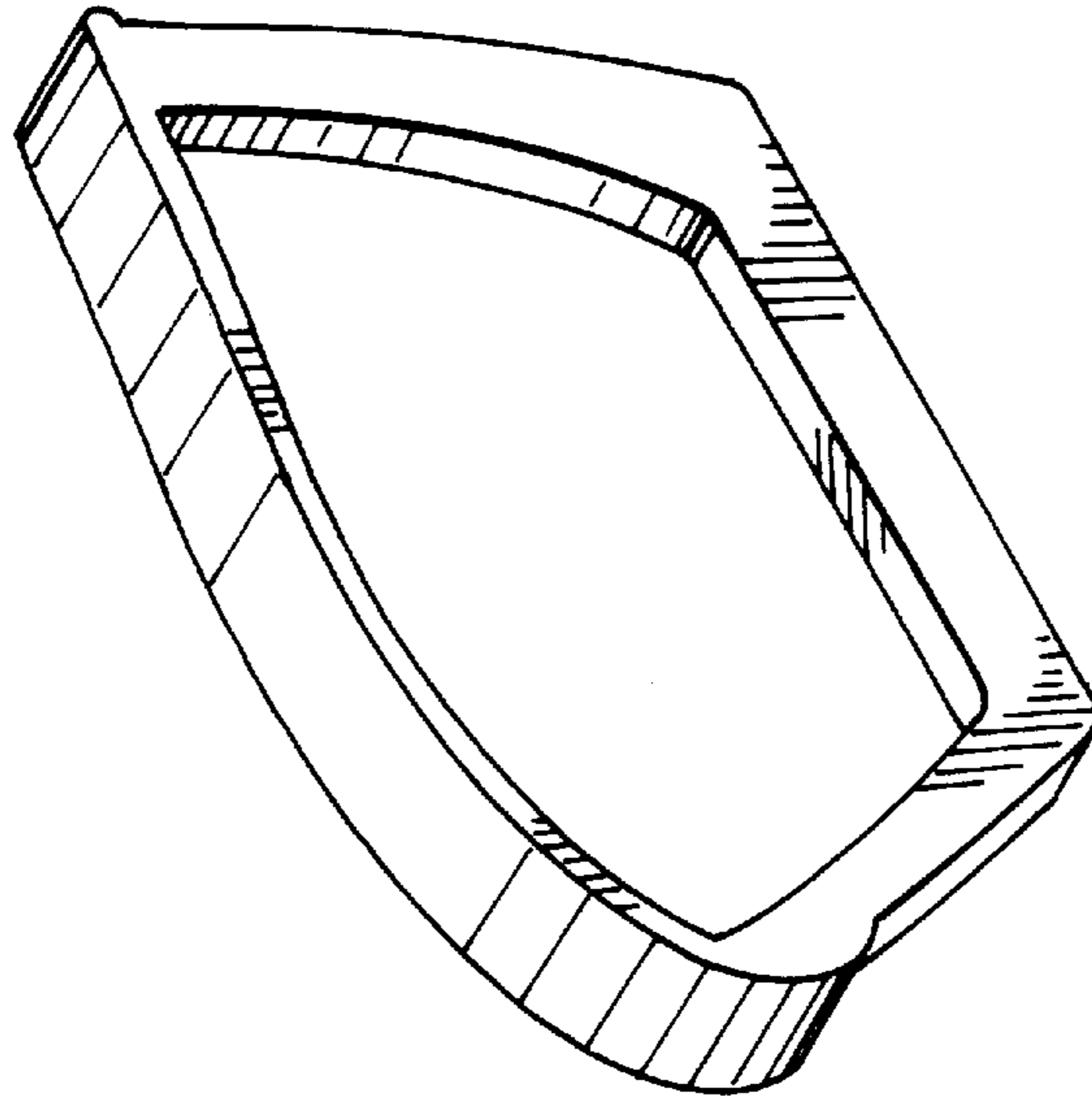


FIG. 1

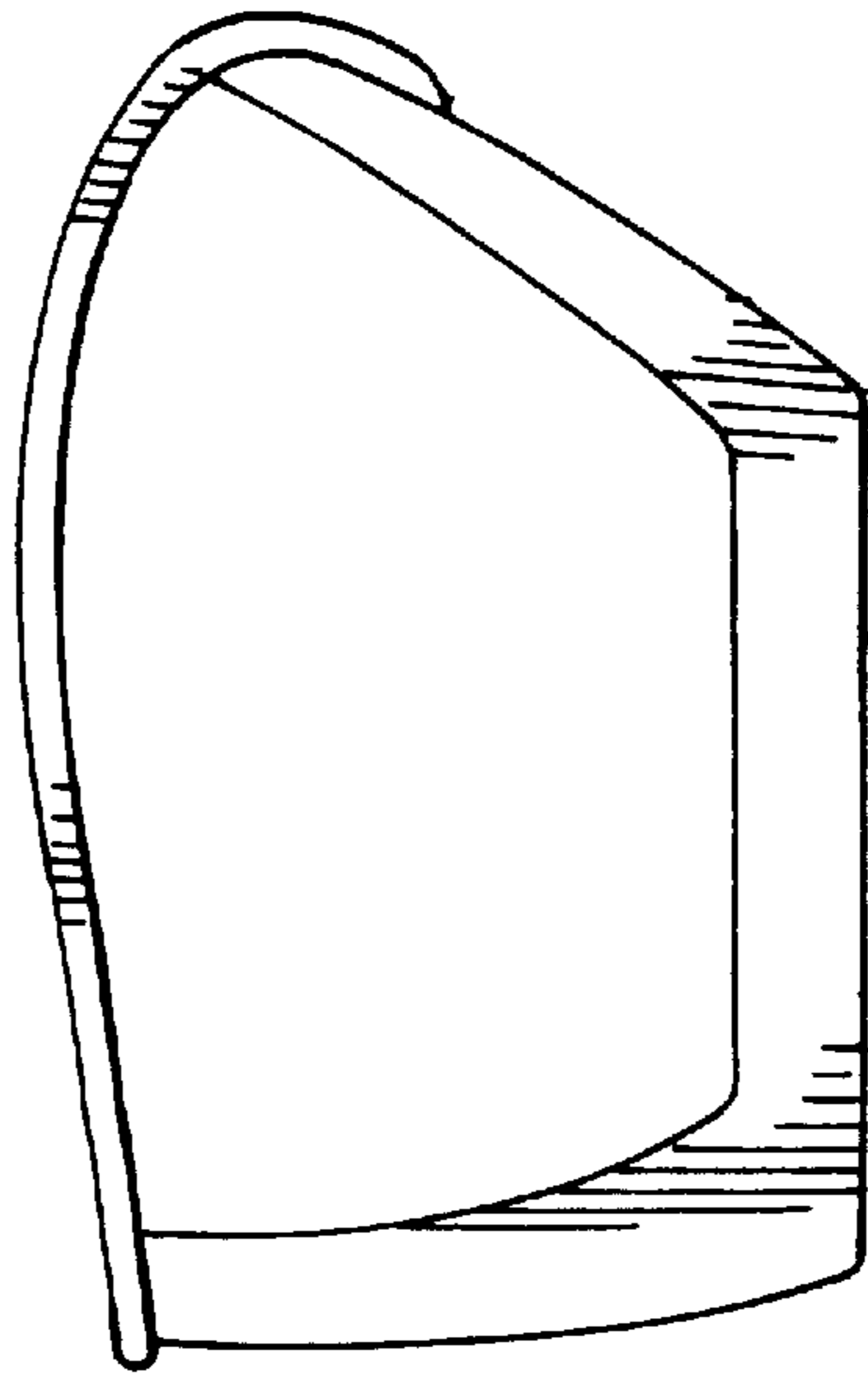


FIG. 3

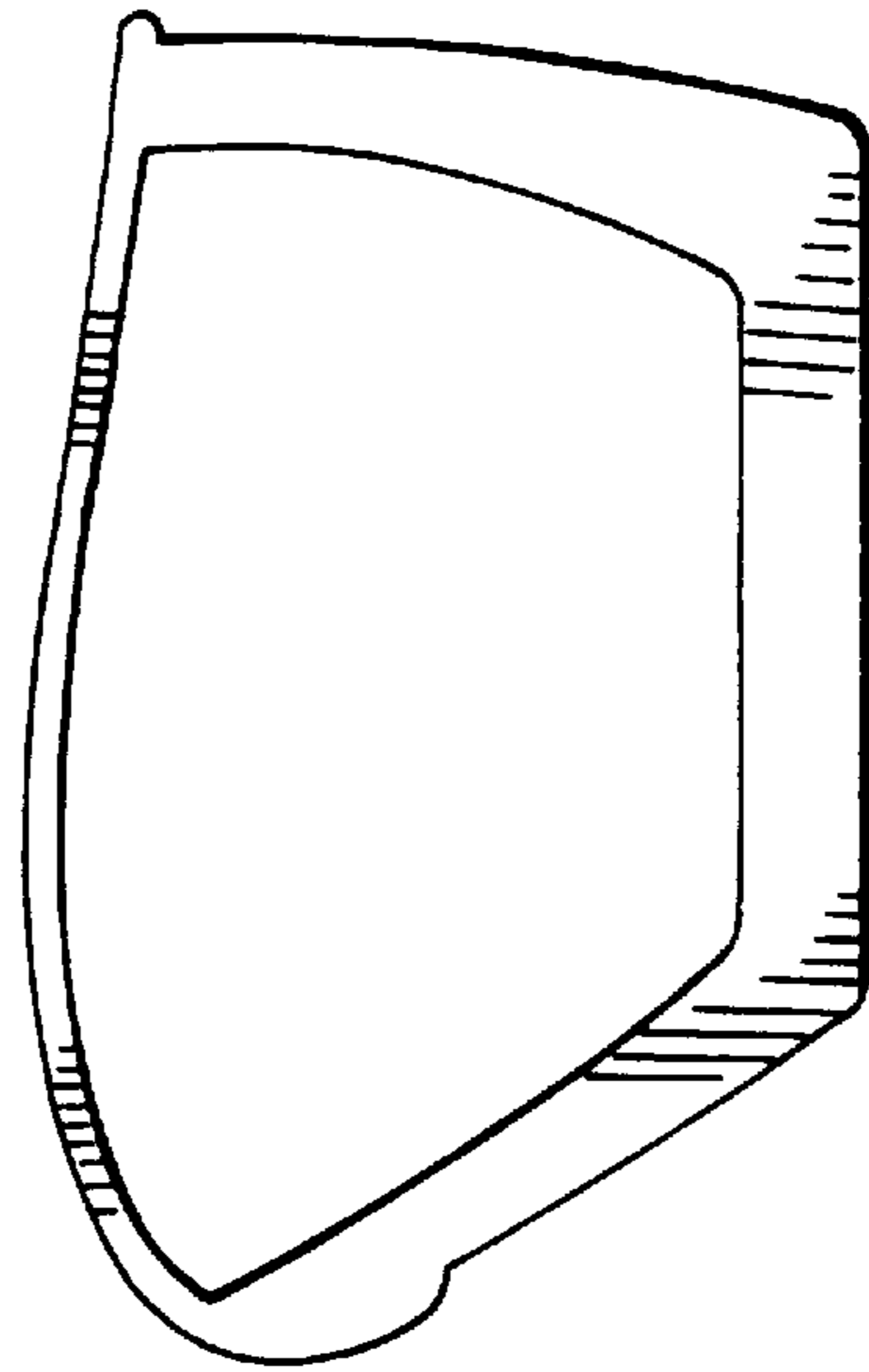


FIG. 2

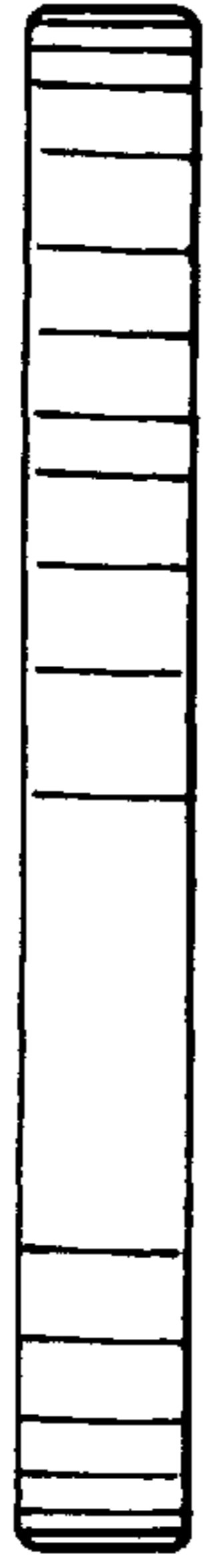


FIG. 6

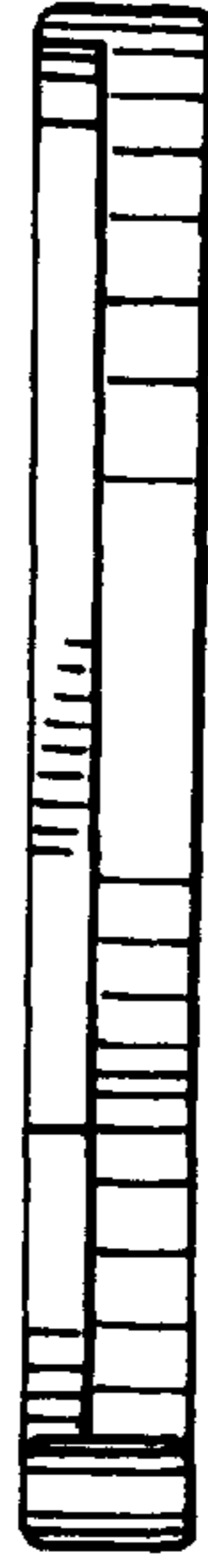


FIG. 7



FIG. 5



FIG. 4