



US00D403181S

United States Patent [19] Kelly

[11] **Patent Number: Des. 403,181**
[45] **Date of Patent: **Dec. 29, 1998**

[54] **TABLE**

[75] Inventor: **William Keith Kelly**, Troutman, N.C.

[73] Assignee: **Cherokee Products, Inc.**, Barium Springs, N.C.

[**] Term: **14 Years**

[21] Appl. No.: **78,221**

[22] Filed: **Oct. 24, 1997**

Related U.S. Application Data

[62] Division of Ser. No. 59,907, Sep. 17, 1996, which is a division of Ser. No. 33,294, Jan. 9, 1995, Pat. No. Des. 376,056.

[51] **LOC (6) Cl.** **06-03**

[52] **U.S. Cl.** **D6/480**

[58] **Field of Search** D6/480-489, 495, D6/496, 498, 429-431; 108/153, 156, 157, 161, 158

[56] **References Cited**

U.S. PATENT DOCUMENTS

D. 188,938 10/1960 Tanning D6/483

D. 287,445 12/1986 Estreich D6/480
D. 376,711 12/1996 Harris D6/480

OTHER PUBLICATIONS

Myrtle Desk Co., 1985, Back Cover, Table at top.

Primary Examiner—Janice E. Seeger
Attorney, Agent, or Firm—Kennedy Covington Lobdell & Hickman, L.L.P.

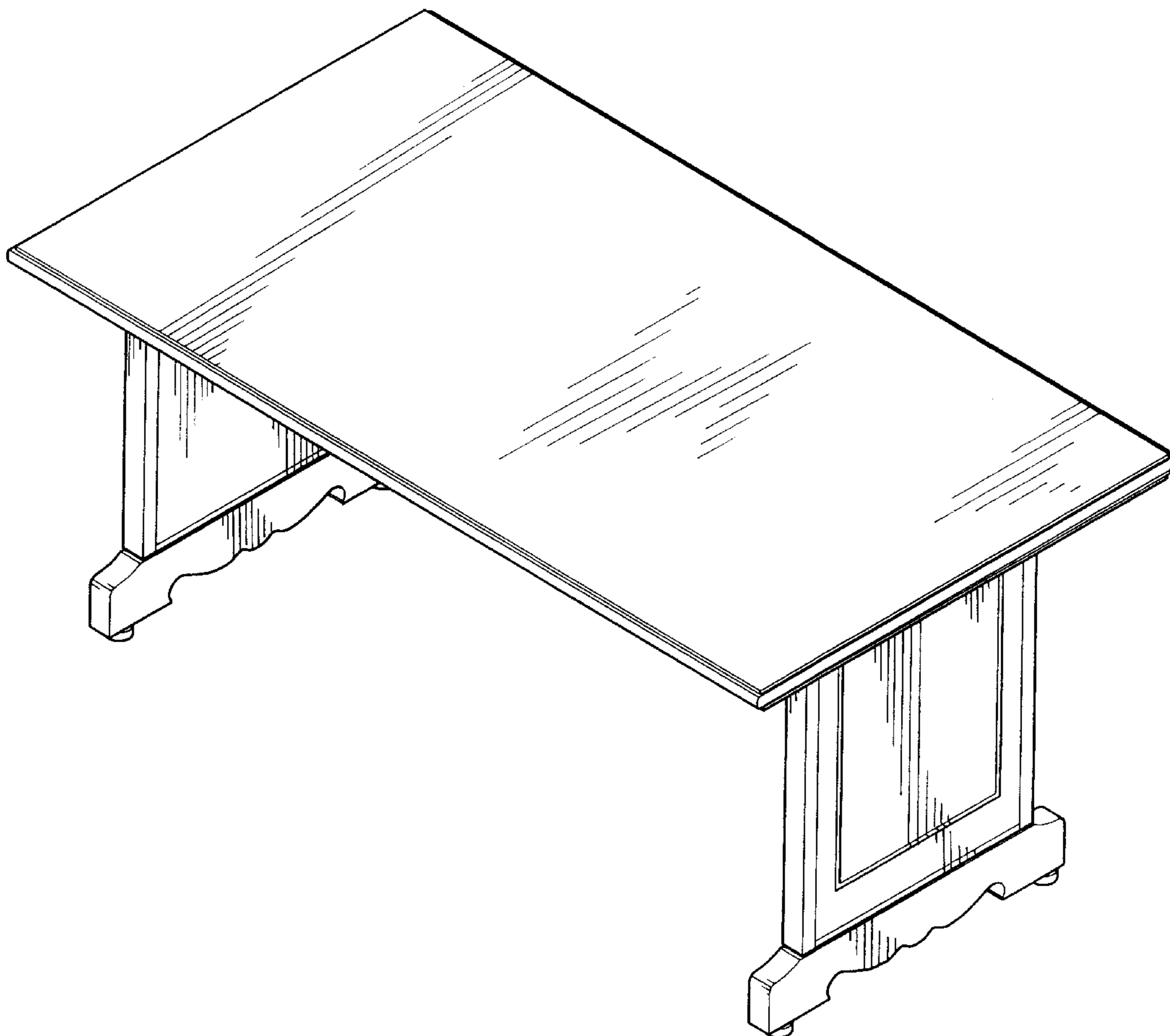
[57] **CLAIM**

The ornamental design for a table, as shown and described.

DESCRIPTION

FIG. 1 is a left side view of a table according to the first preferred embodiment of the present invention the right side being identical thereto;
FIG. 2 is a front view of the table illustrated in FIG. 1, the back view being identical;
FIG. 3 is a left side view of the table illustrated in FIG. 1 according to a second preferred embodiment thereof, the right side being identical; and,
FIG. 4 is a top perspective view of the table illustrated in FIG. 1.

1 Claim, 3 Drawing Sheets



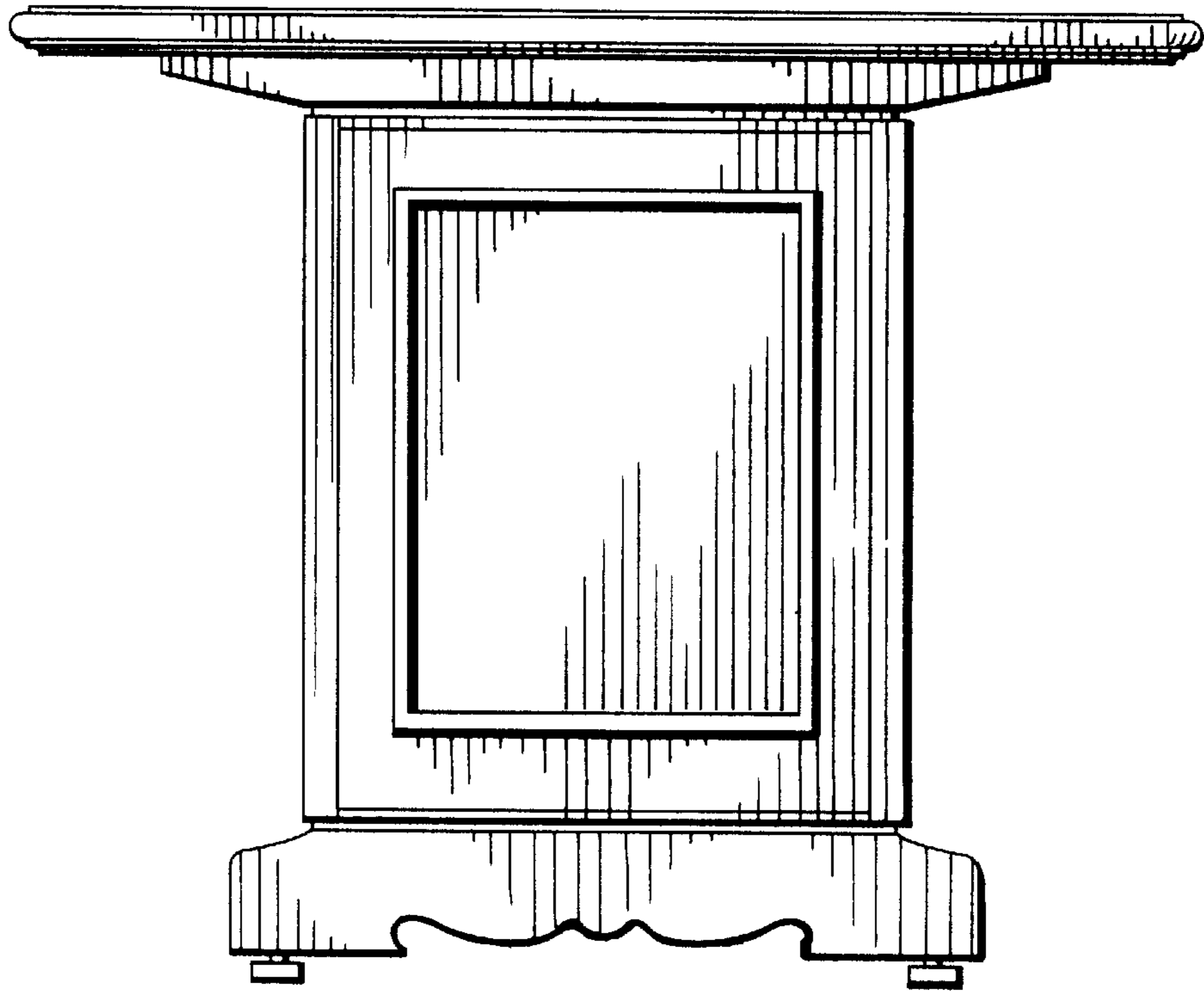


Fig. 1

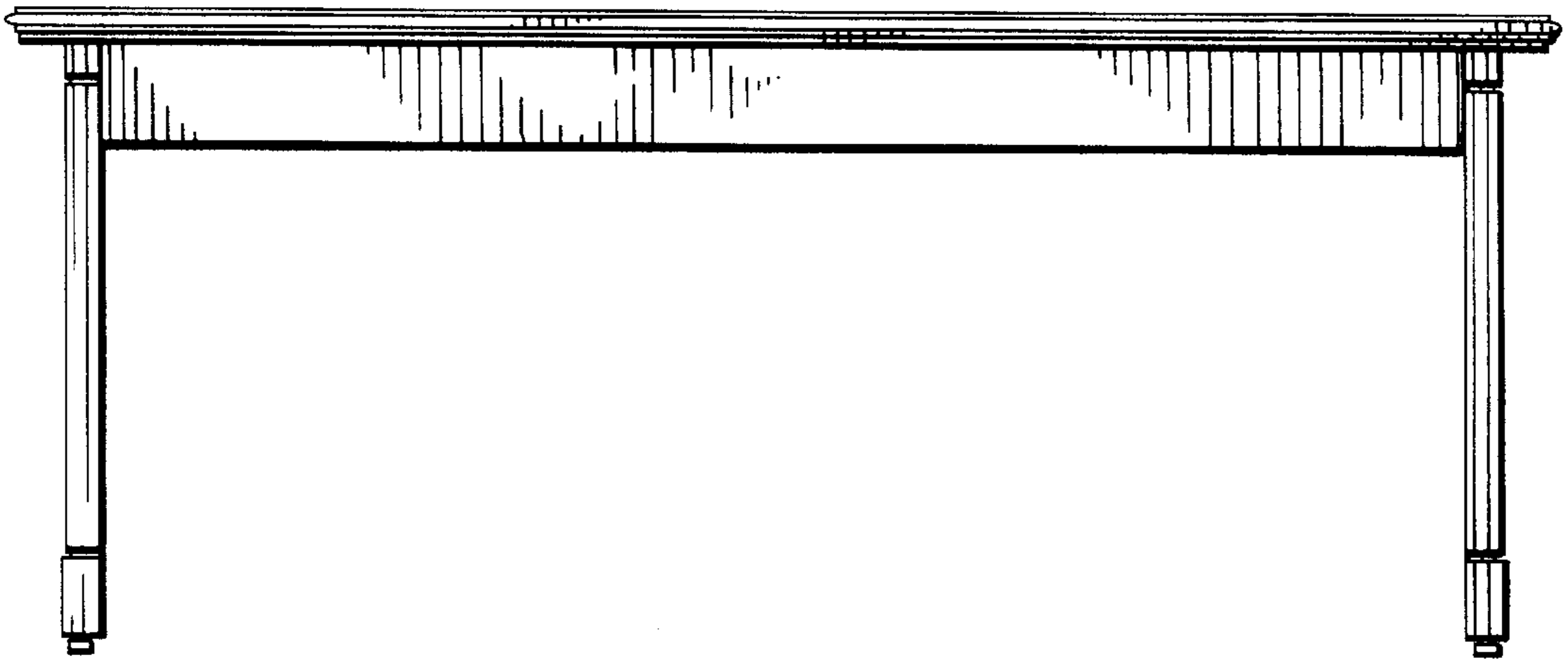


Fig. 2

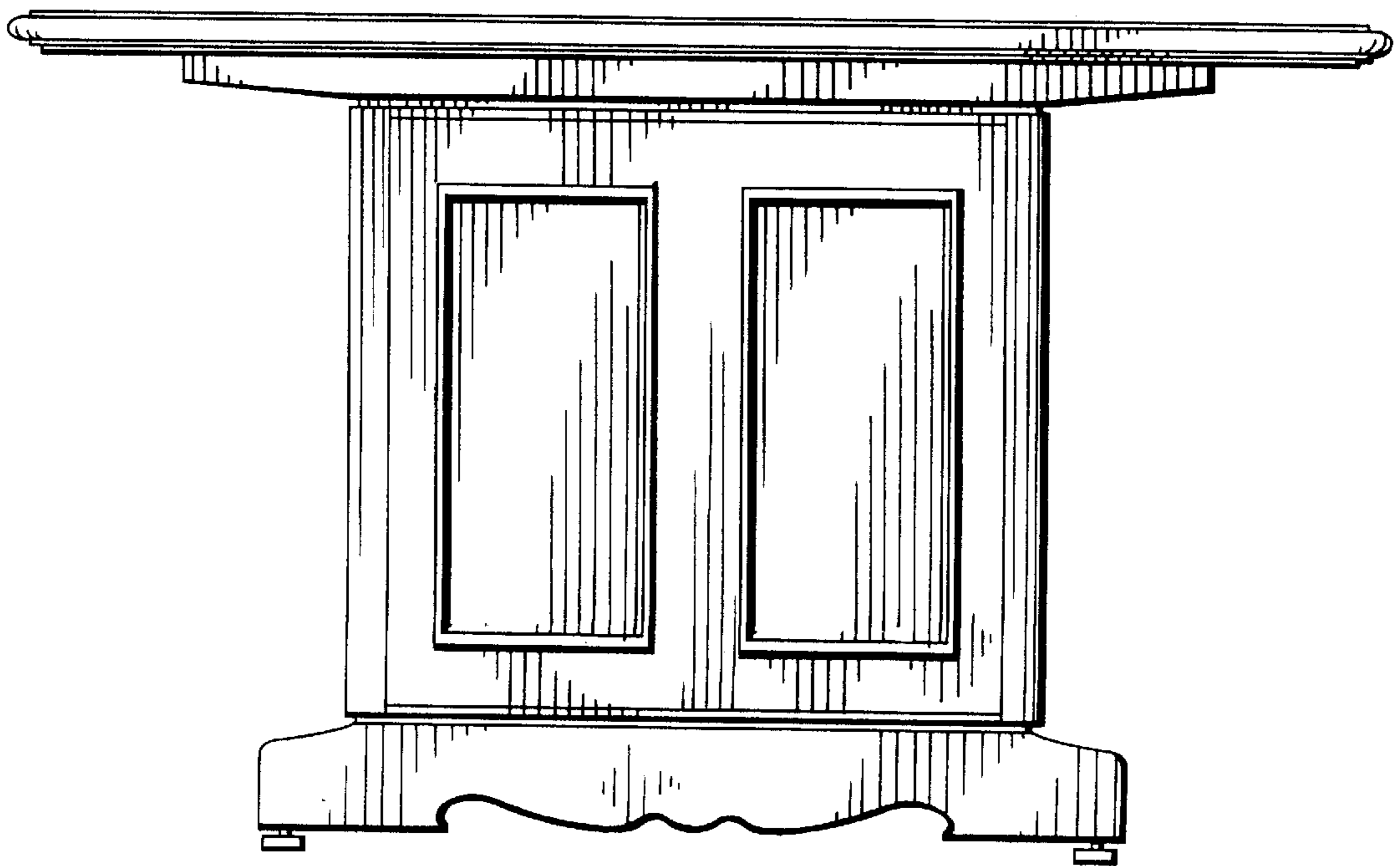


Fig. 3

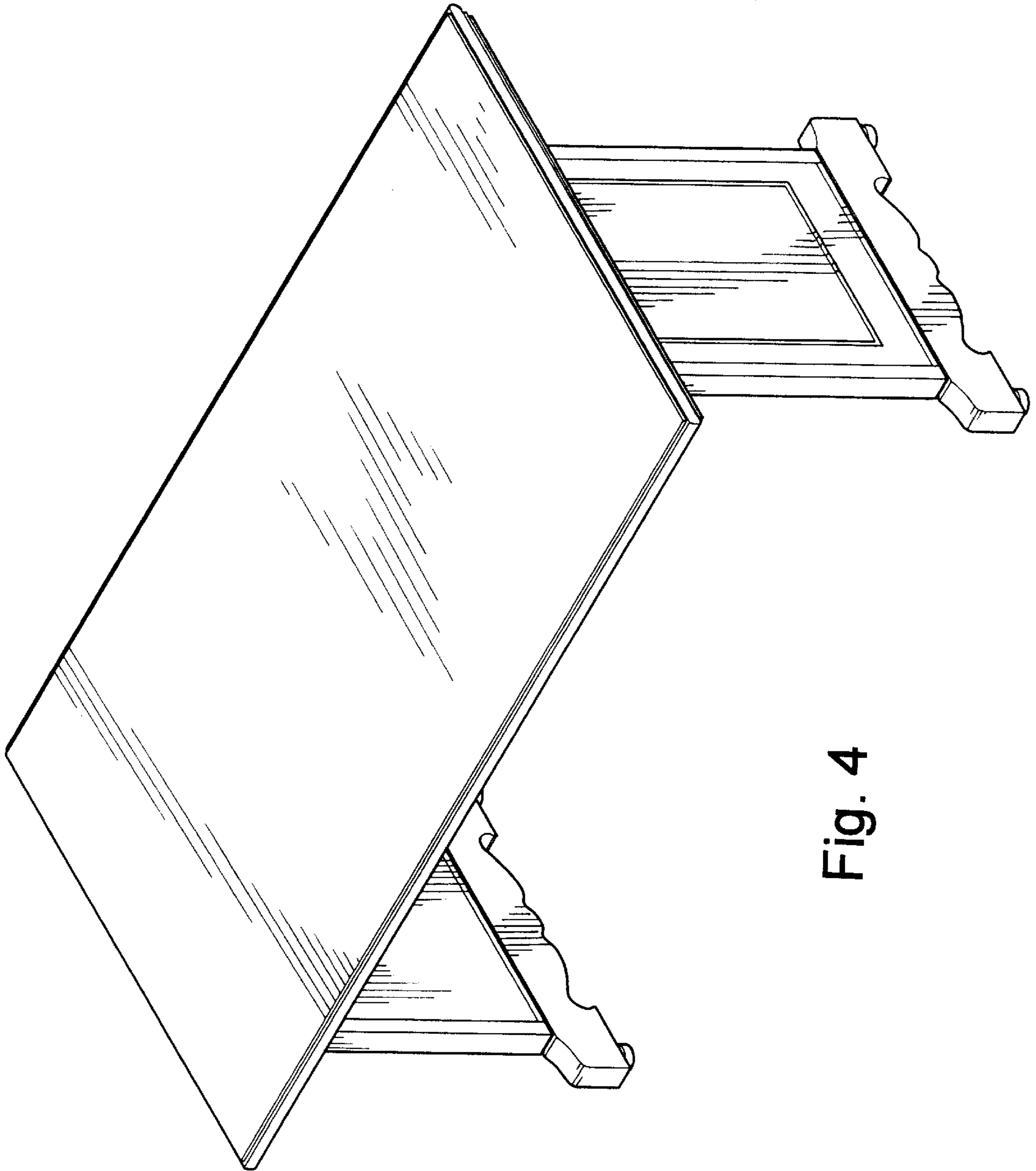


Fig. 4