



US00D403179S

# United States Patent [19] Horton

[11] **Patent Number: Des. 403,179**  
[45] **Date of Patent: \*\*Dec. 29, 1998**

[54] **KIOSK**

[75] Inventor: **Tony L. Horton**, Dallas, Tex.

[73] Assignee: **T L Horton Design, Inc.**, Dallas, Tex.

[\*\*] Term: **14 Years**

[21] Appl. No.: **75,184**

[22] Filed: **Aug. 20, 1997**

[51] **LOC (6) Cl.** ..... **06-04**

[52] **U.S. Cl.** ..... **D6/474; D25/16**

[58] **Field of Search** ..... D6/470-472, 473,  
D6/474-479, 436-439, 481; D25/1, 16;  
312/114, 117, 118, 126-130, 138.1, 140.1,  
140.2, 249.8, 249.12, 249.13; 52/36.1-36.5;  
280/79.2, 79.3, 47.35; D34/19, 20, 21

D. 326,024	5/1992	Boyd et al.	.....	D6/481 X
D. 341,458	11/1993	Carroll	.....	D34/20
D. 346,867	5/1994	Montilla	.....	D25/16
D. 348,367	7/1994	Geisen et al.	.....	D6/481
D. 350,829	9/1994	Horton	.....	D25/16
D. 354,816	1/1995	Horton	.....	D25/16
D. 367,777	3/1996	Arnone	.....	D6/436
D. 368,606	4/1996	Sargent, III	.....	D6/481
D. 379,664	6/1997	Horton	.....	D25/16
D. 379,665	6/1997	Horton	.....	D25/16
D. 379,666	6/1997	Horton	.....	D25/16
D. 379,667	6/1997	Horton	.....	D25/16
D. 396,113	7/1998	Horton	.....	D25/16
D. 396,114	7/1998	Horton	.....	D25/16
589,971	9/1897	Kephart	.....	D25/16 X
2,836,860	6/1958	Staropoli	.....	20/1.6
3,715,815	2/1973	Lewis	.....	312/196 X
4,572,598	2/1986	Moore, Jr.	.....	312/116 X
5,048,857	9/1991	Stevens	.....	108/111 X
5,551,774	9/1996	Campbell et al.	.....	312/114 X

[56] **References Cited**

**U.S. PATENT DOCUMENTS**

D. 54,883	4/1920	Willett	.....	D6/476 X
D. 85,555	11/1931	Stebbins	.....	D25/7
D. 148,842	3/1948	Cushman	.....	D6/437
D. 149,381	4/1948	Schick	.....	D6/437
D. 152,219	12/1948	Schick	.....	D6/437
D. 152,371	1/1949	Schick	.....	D6/437
D. 200,225	2/1965	Benjamin	.....	D25/16 X
D. 219,579	12/1970	Wormser	.....	D13/1
D. 254,327	2/1980	Tasse	.....	D25/26
D. 260,708	9/1981	Schindler et al.	.....	D6/474
D. 265,617	8/1982	Sauroge, III et al.	.....	D6/481
D. 279,408	6/1985	Davenport et al.	.....	D25/25
D. 288,040	2/1987	LeBlance	.....	D6/473
D. 288,609	3/1987	Watkins	.....	D25/1
D. 302,221	7/1989	Suttles et al.	.....	D6/481
D. 313,077	12/1990	Minarro	.....	D25/16

*Primary Examiner*—James Gandy  
*Assistant Examiner*—Linda Brooks  
*Attorney, Agent, or Firm*—Locke Purmell Rain Harrell

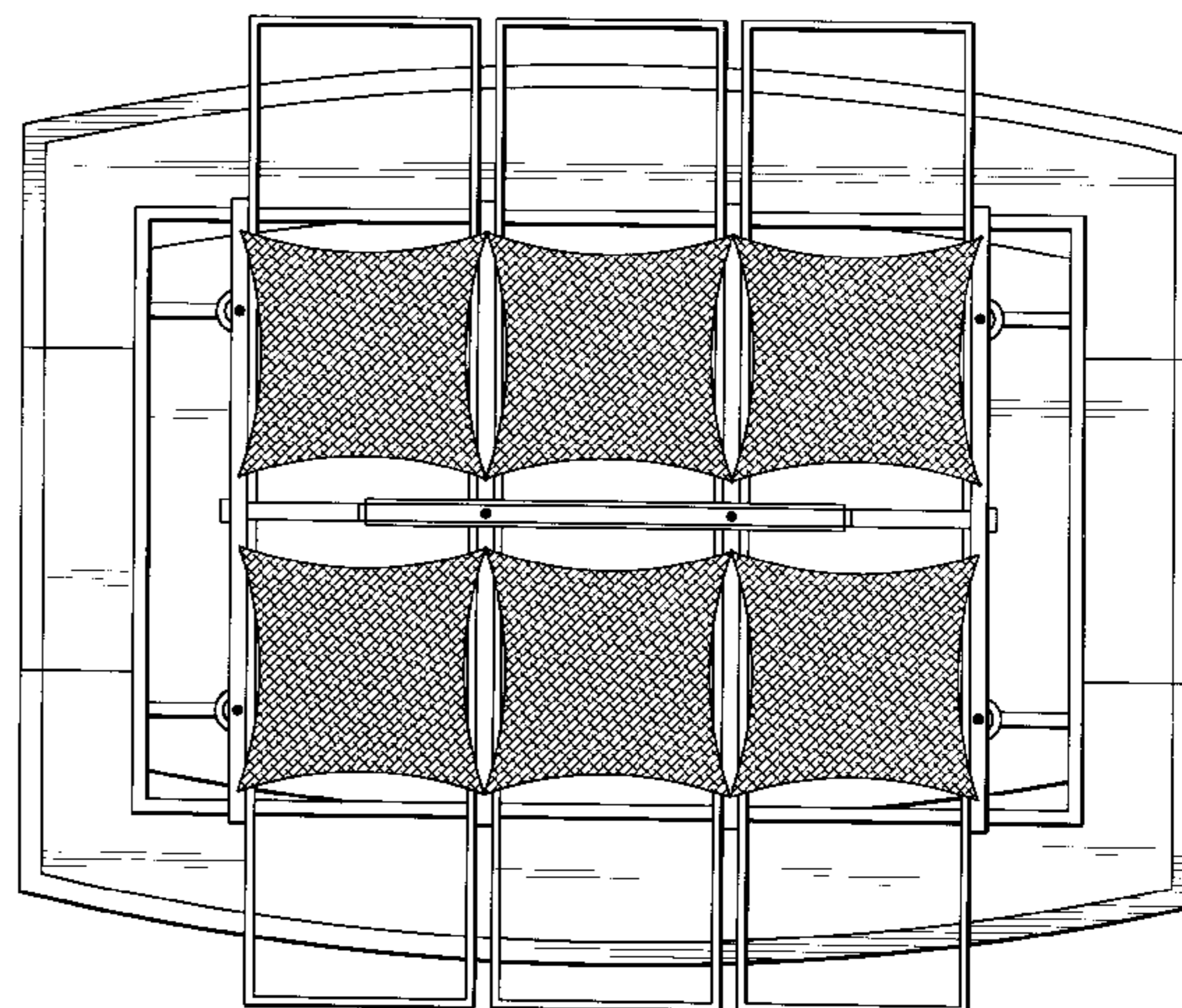
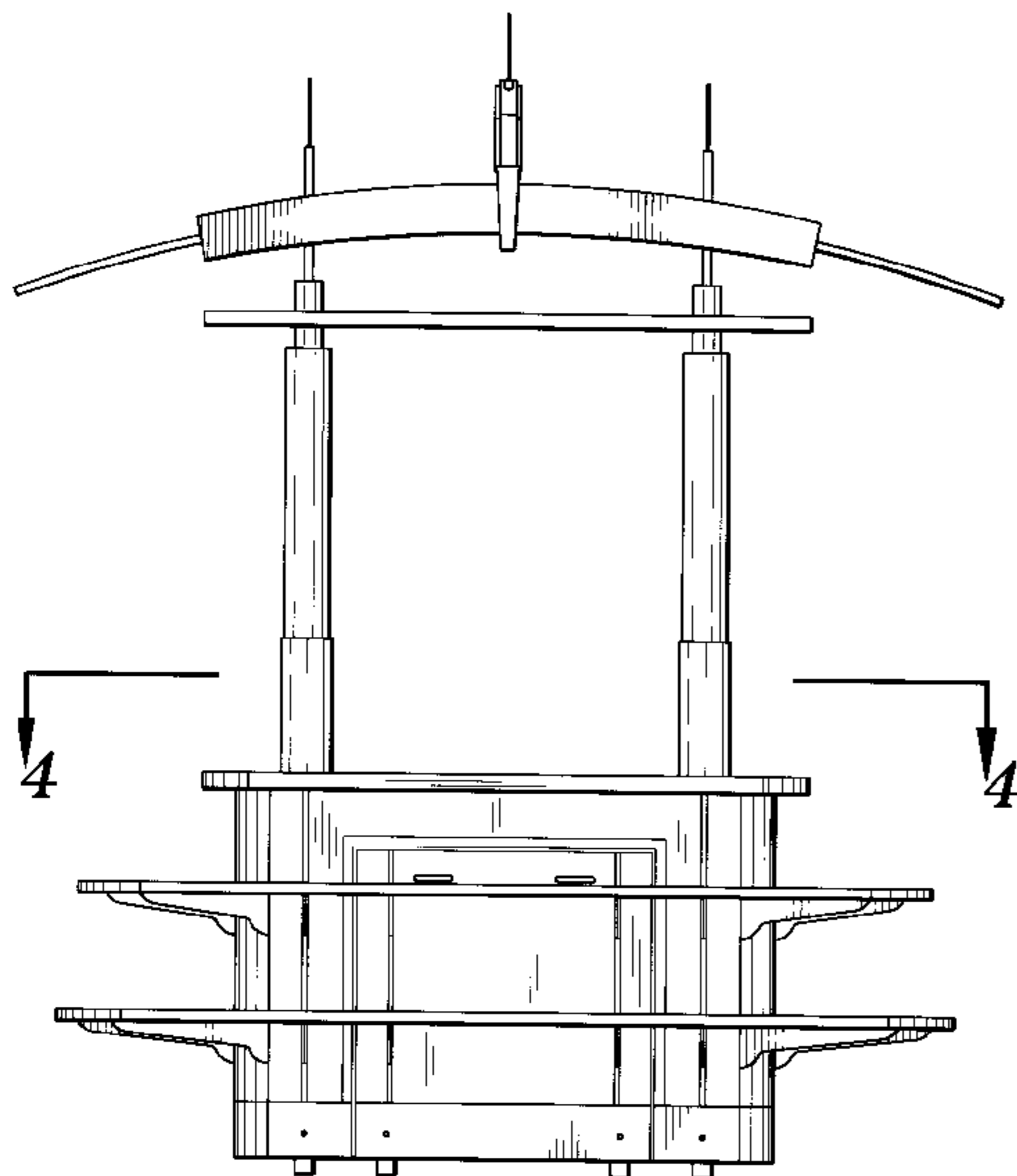
[57] **CLAIM**

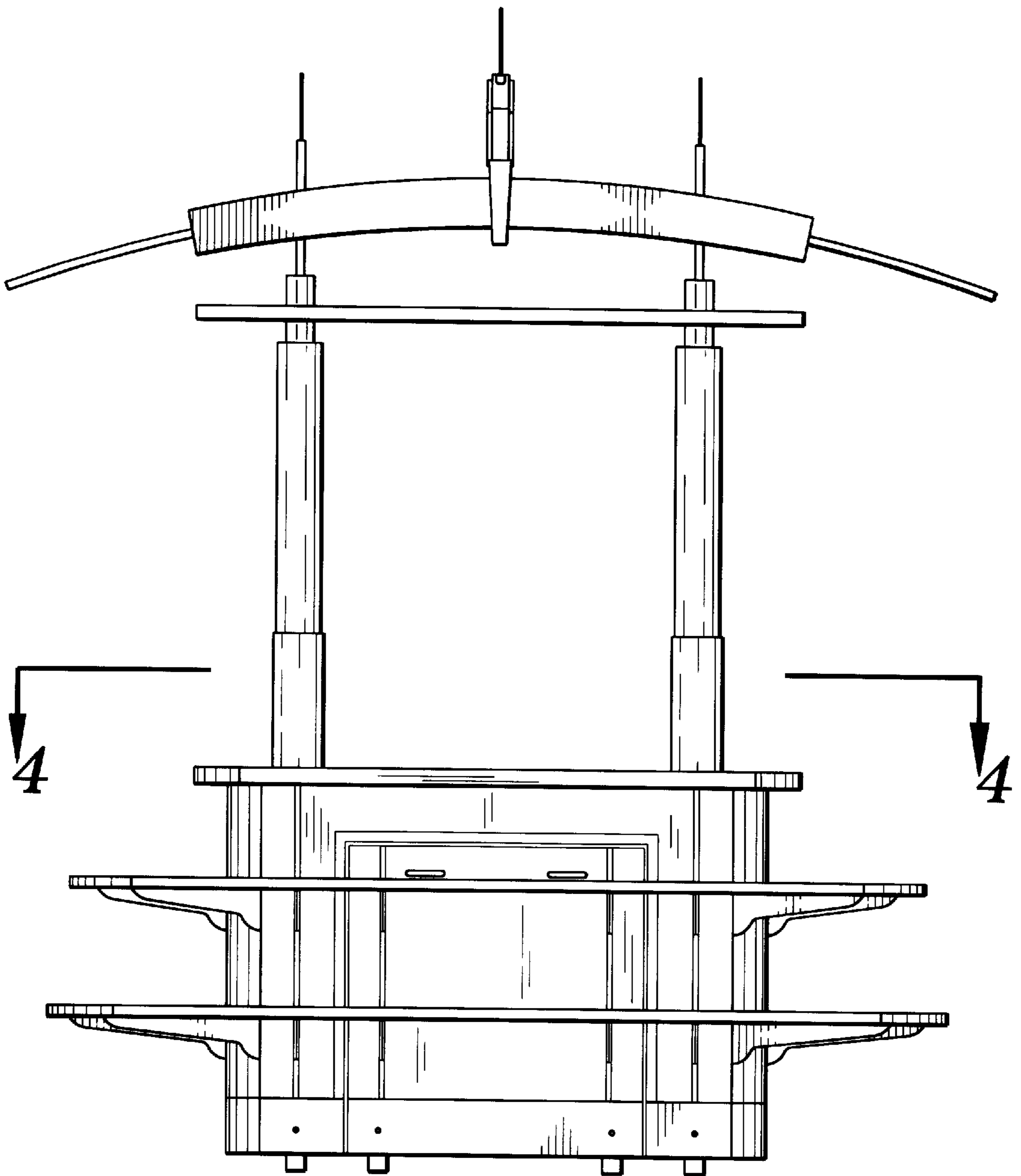
The ornamental design for a kiosk, as shown and described.

**DESCRIPTION**

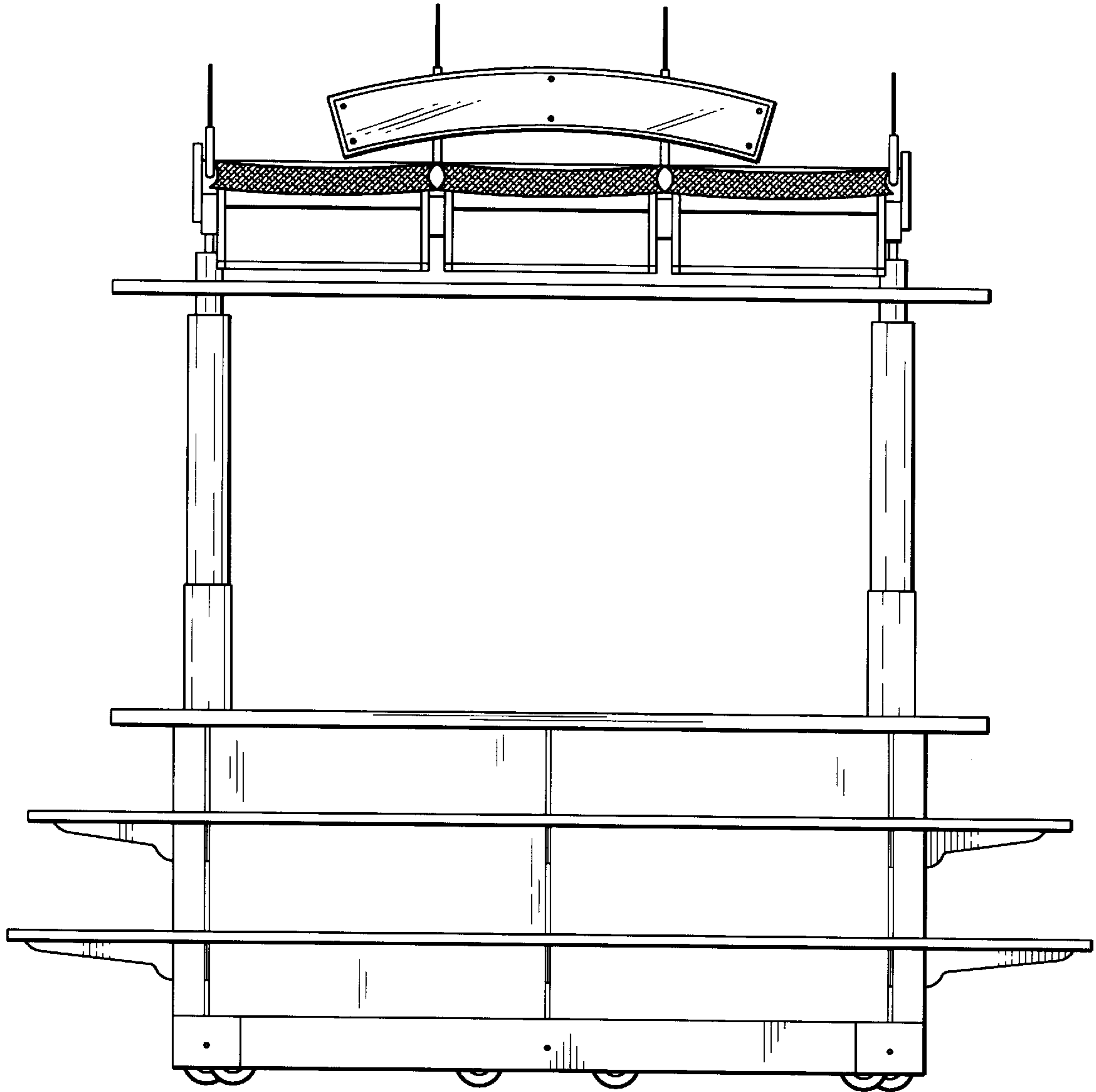
FIG. 1 is a side elevational view of a kiosk showing my new design, the opposite side being identical thereto;  
FIG. 2 is a front elevational view thereof, the opposite side being identical thereto;  
FIG. 3 is a bottom plan view thereof;  
FIG. 4 is a sectional view thereof taken generally along sectional lines 4-4 of FIG. 1; and,  
FIG. 5 is a top plan view thereof.

**1 Claim, 5 Drawing Sheets**

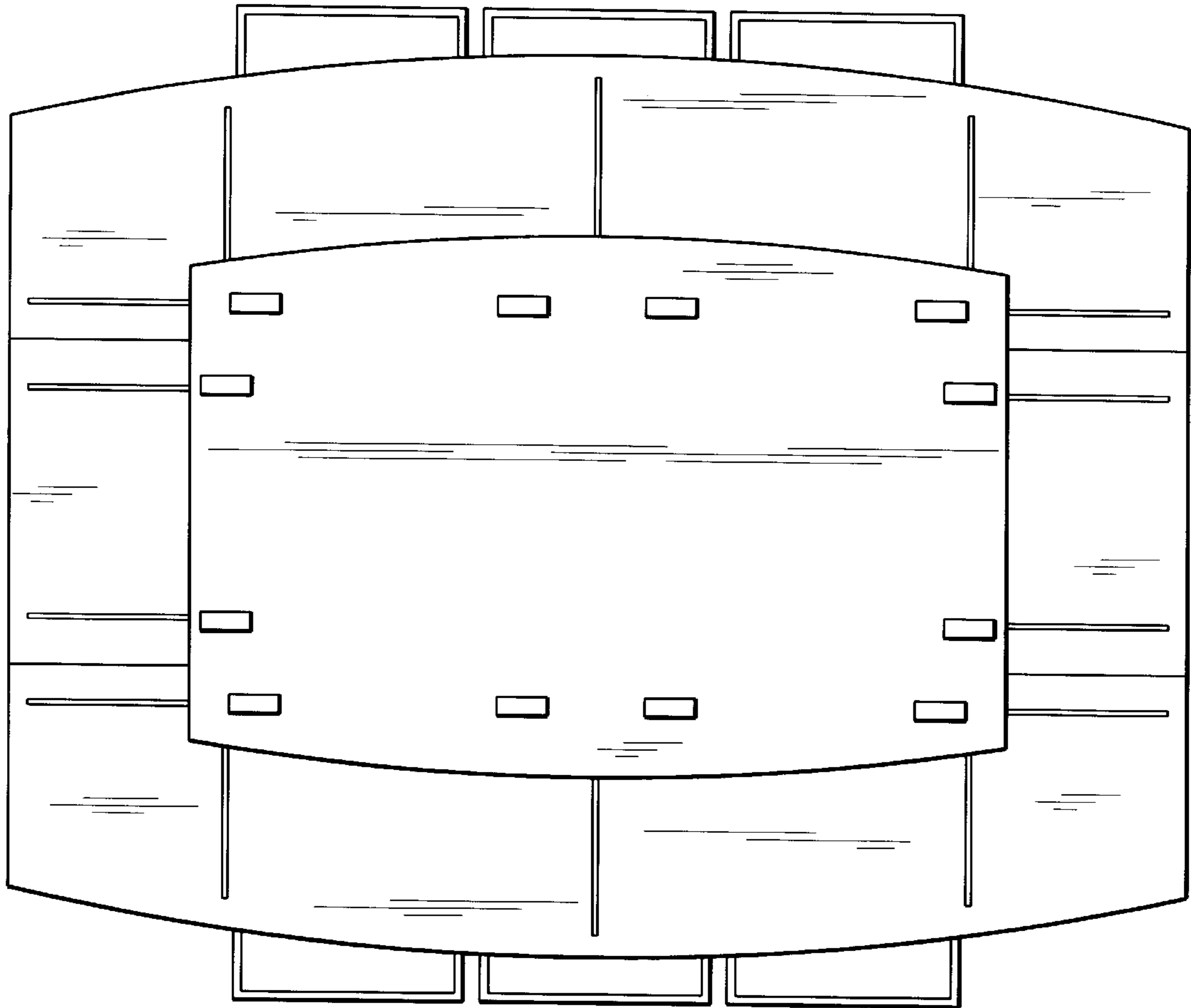




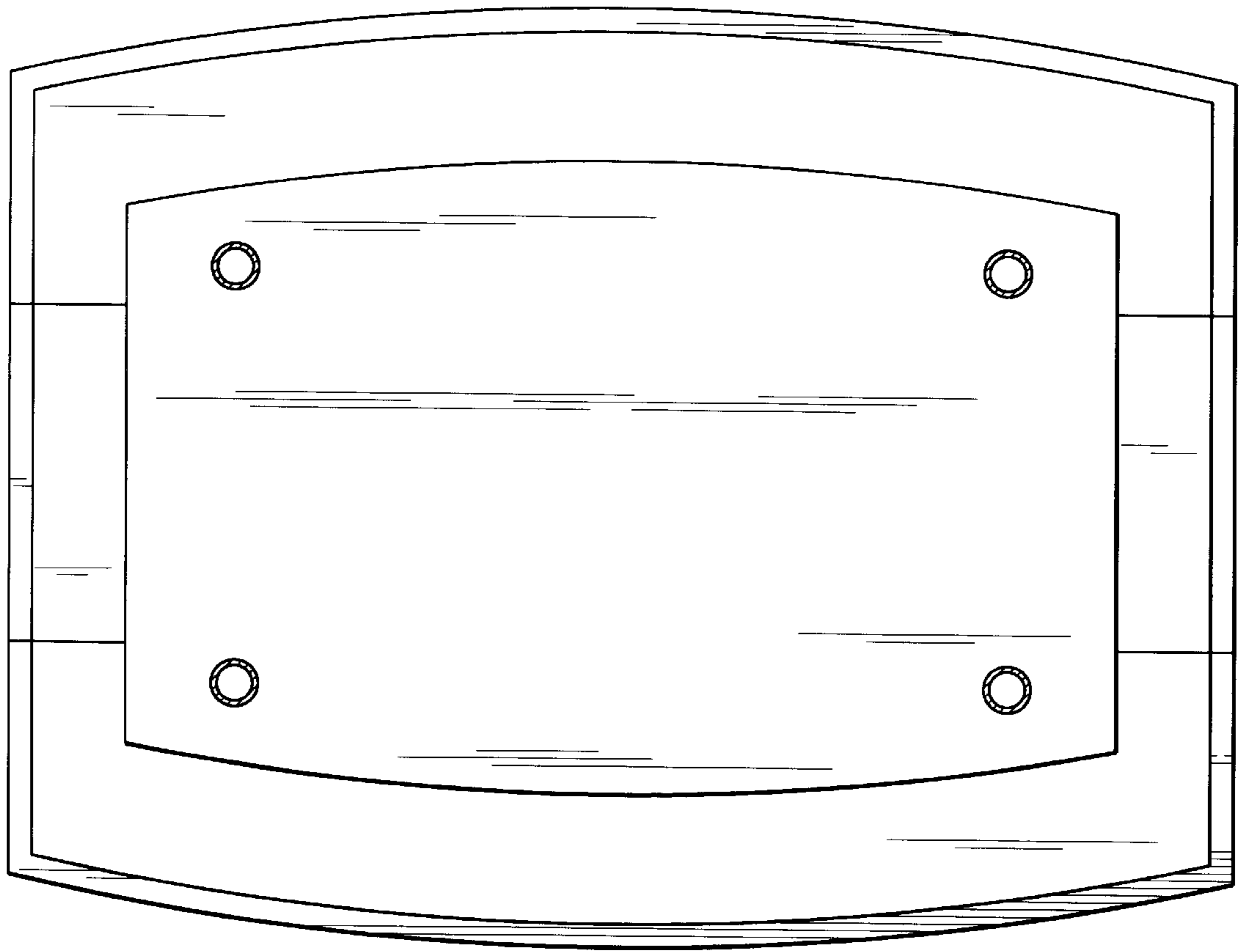
*FIG. 1*



*FIG. 2*

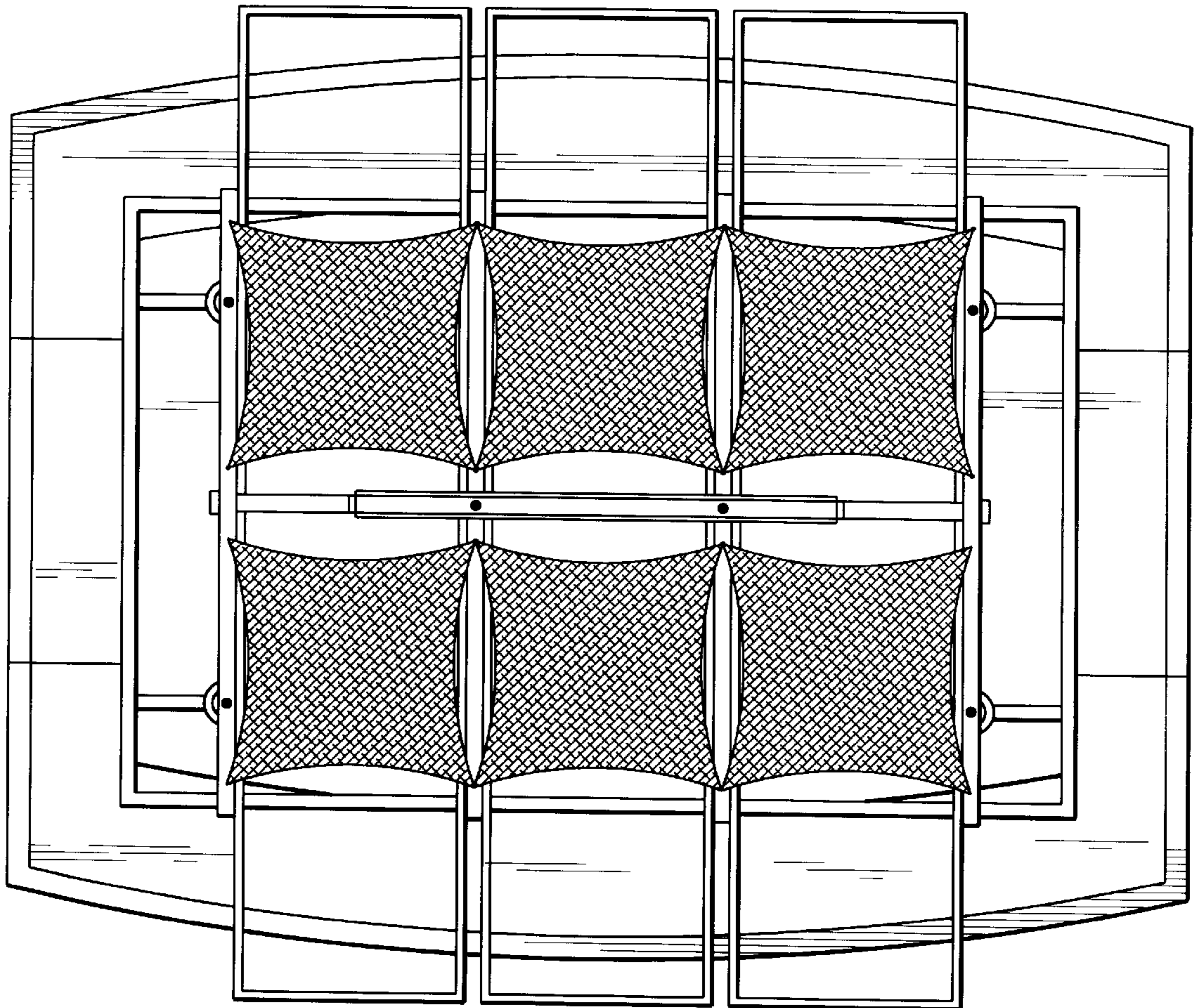


*FIG. 3*



*FIG. 4*





*FIG. 5*