



US00D403175S

United States Patent [19] Dardashti

[11] Patent Number: Des. 403,175

[45] Date of Patent: **Dec. 29, 1998

[54] STORAGE AND DISPLAY STAND

[76] Inventor: **Shahriar Dardashti**, c/o Atlantic Representations, Inc., P.O. Box 2399, Santa Fe Springs, Calif. 90670

[**] Term: **14 Years**

[21] Appl. No.: **58,034**

[22] Filed: **Aug. 6, 1996**

Related U.S. Application Data

[62] Division of Ser. No. 50,639, Feb. 20, 1996, Pat. No. Des. 387,226.

[51] **LOC (6) Cl.** **06-04**

[52] **U.S. Cl.** **D6/399; D6/479; D26/58; D26/111**

[58] **Field of Search** D6/461-465, 396, D6/399, 474-480, 487, 407, 628, 630, 466, 467, 468; 108/59, 91, 92, 93, 95, 96, 97, 101, 102, 106, 110; 211/134, 135, 40, 41, 42, 126.4, 126.14, 133.1, 186-188

[56] References Cited

U.S. PATENT DOCUMENTS

- Re. 28,293 1/1975 Bustos 108/144
- D. 51,055 7/1917 Board .
- D. 109,389 4/1938 Beyrle D6/474
- D. 129,636 9/1941 Dreyfuss .
- D. 134,294 11/1942 Papas .
- D. 152,330 1/1949 Dillon .
- D. 153,046 3/1949 Struhl .
- D. 193,258 7/1962 McPhail D6/468
- D. 205,114 6/1966 Brinley .
- D. 233,294 10/1974 Goulder .
- D. 233,379 10/1974 Hudson et al. D6/23
- D. 237,432 11/1975 Taub .
- D. 241,101 8/1976 Kapnek D6/168
- D. 244,499 5/1977 Parfitt .
- D. 305,836 2/1990 Maia .
- D. 307,988 5/1990 Newfield D6/449
- D. 316,643 5/1991 Cheetham D6/461
- D. 318,280 7/1991 Summrell et al. .
- D. 321,296 11/1991 Miranda .

- D. 325,137 4/1992 Porter .
- D. 339,485 9/1993 James .
- D. 353,376 12/1994 Fukutomi D14/156

(List continued on next page.)

FOREIGN PATENT DOCUMENTS

- 12759 12/1909 Denmark .
- 193201 9/1986 European Pat. Off. .
- 0285193 11/1987 European Pat. Off. .
- 476729 3/1992 European Pat. Off. .
- 1144164 10/1957 France .
- 2217917 8/1974 France .
- 525985 5/1931 Germany .
- 588668 11/1933 Germany .
- 269961 5/1950 Germany .
- 3911136 4/1989 Germany .
- 90128052 9/1990 Germany .
- 495730 10/1970 Switzerland .

Primary Examiner—James Gandy
Assistant Examiner—Linda Brooks
Attorney, Agent, or Firm—Oppenheimer Poms Smith

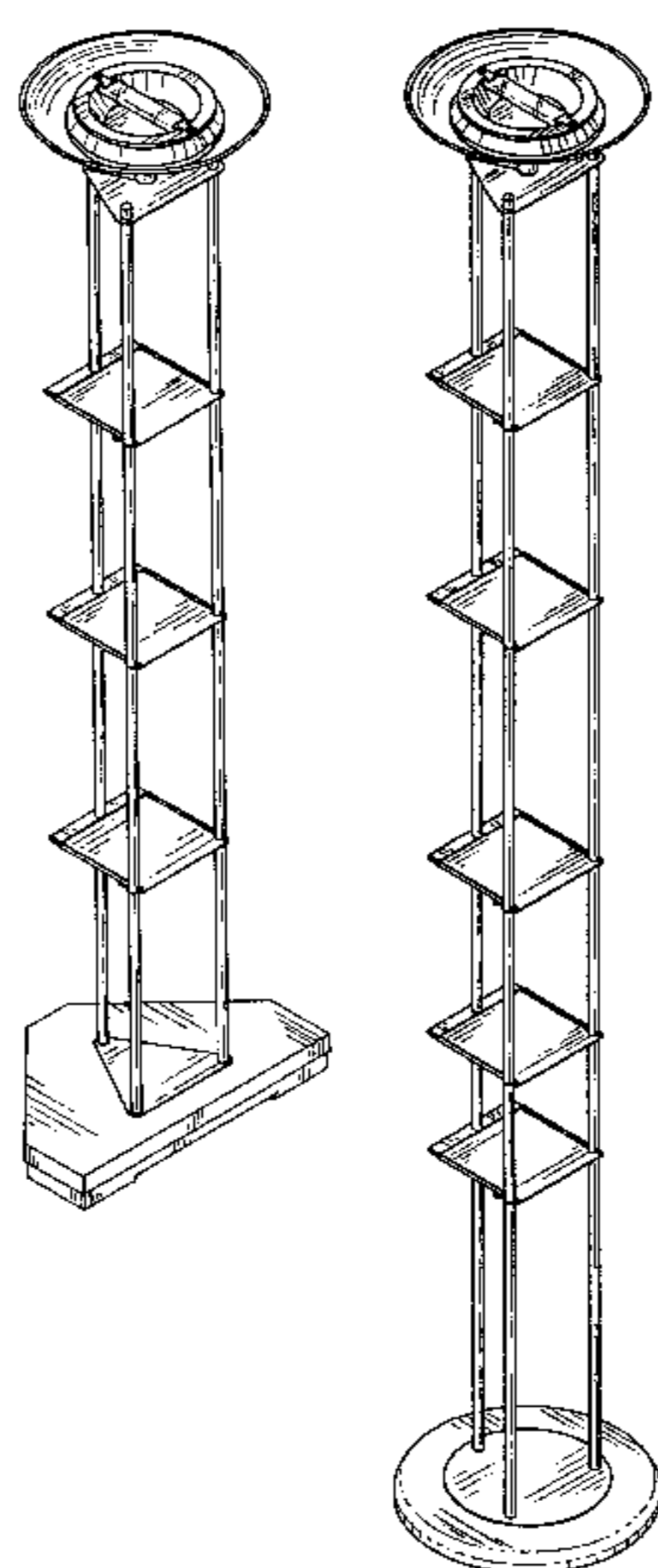
[57] CLAIM

The ornamental design for a storage and display stand, as shown and described.

DESCRIPTION

FIG. 1 is a top front perspective view of a storage and display stand showing my new design;
 FIG. 2 is a top plan view thereof;
 FIG. 3 is a bottom plan view thereof;
 FIG. 4 is a right side elevational view thereof, the left side elevational view being a mirror image thereof;
 FIG. 5 is a front elevational view thereof;
 FIG. 6 is a rear elevational view thereof;
 FIG. 7 is a top front perspective view of a second embodiment thereof;
 FIG. 8 is a top plan view of FIG. 7;
 FIG. 9 is a bottom plan view of FIG. 7;
 FIG. 10 is a right side elevational view of FIG. 7, the left side elevational view being a mirror image thereof;
 FIG. 11 is a front elevational view of FIG. 7; and,
 FIG. 12 is a rear elevational view of FIG. 7.

1 Claim, 4 Drawing Sheets



U.S. PATENT DOCUMENTS						
			3,877,396	4/1975	Patterson	108/111
			4,136,623	1/1979	Dickson .	
D. 357,160	4/1995	Fritze .	4,262,439	4/1981	Dinan et al.	40/607
D. 357,331	4/1995	Yeh .	4,345,526	8/1982	Streit	108/111
D. 359,648	6/1995	Hwang .	4,351,244	9/1982	Suttles .	
D. 360,276	7/1995	Lundquist	4,442,778	4/1984	Lang	108/111
		D26/106	4,469,232	9/1984	Lusch	211/189
D. 360,329	7/1995	Chu .	4,574,709	3/1986	Lackey et al.	108/111
D. 363,626	10/1995	Herbst .	4,678,089	7/1987	Lang .	
D. 368,396	4/1996	Bidwell .	4,940,150	7/1990	Speagler .	
D. 368,544	4/1996	Perillo et al.	4,953,719	9/1990	Spamer	211/188
		D26/58	4,961,506	10/1990	Lang	211/188
D. 368,815	4/1996	Keller et al. .	5,048,429	9/1991	Freiberg	108/106
D. 370,330	5/1996	Carpenter et al. .	5,117,989	6/1992	Ross	211/144
D. 387,226	12/1997	Dardashti	5,195,642	3/1993	Dardashti .	
		D6/465	5,314,077	5/1994	Theosabrata .	
D. 387,236	12/1997	Madonna	5,341,943	8/1994	Fraser .	
		D6/629	5,358,124	10/1994	Mueller .	
816,053	3/1906	Wittbold .	5,370,242	12/1994	Huang .	
900,331	10/1908	Weston .	5,487,599	1/1996	Weisburn et al.	312/9.46
1,265,373	5/1918	Philip .	5,584,398	12/1996	Lin	211/40
1,688,048	10/1928	Irvine .	5,595,312	1/1997	Dardashti .	
2,143,592	1/1939	Baldeck .				
2,646,175	7/1953	Beauvais et al. .				
3,684,285	8/1972	Kane .				
3,730,601	5/1973	Misenheimer, III .				
3,788,242	1/1974	Hassel et al.				108/111
3,834,324	9/1974	Lang				108/91

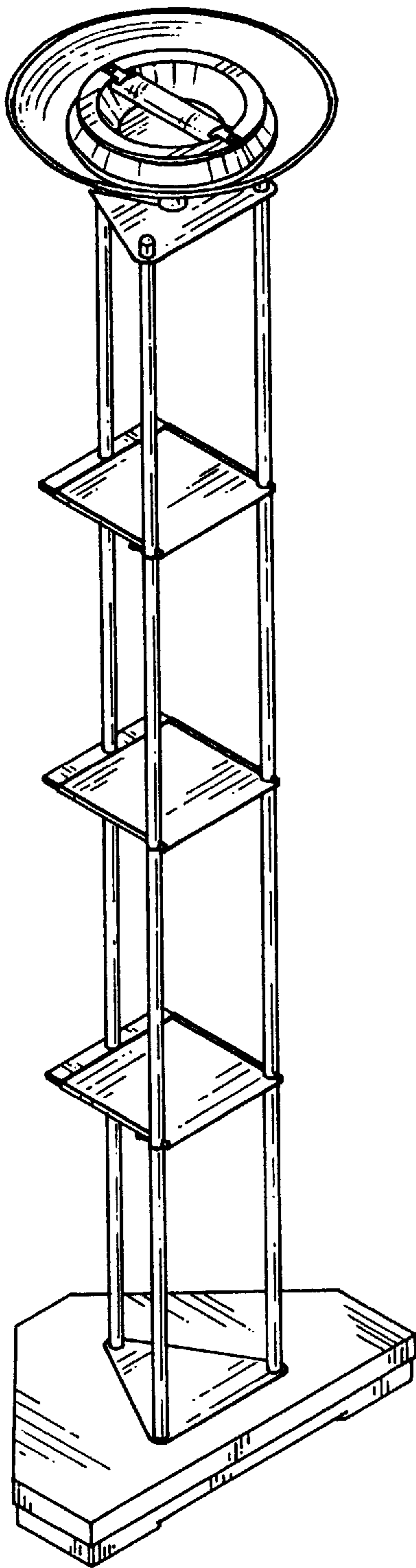


FIG. 1

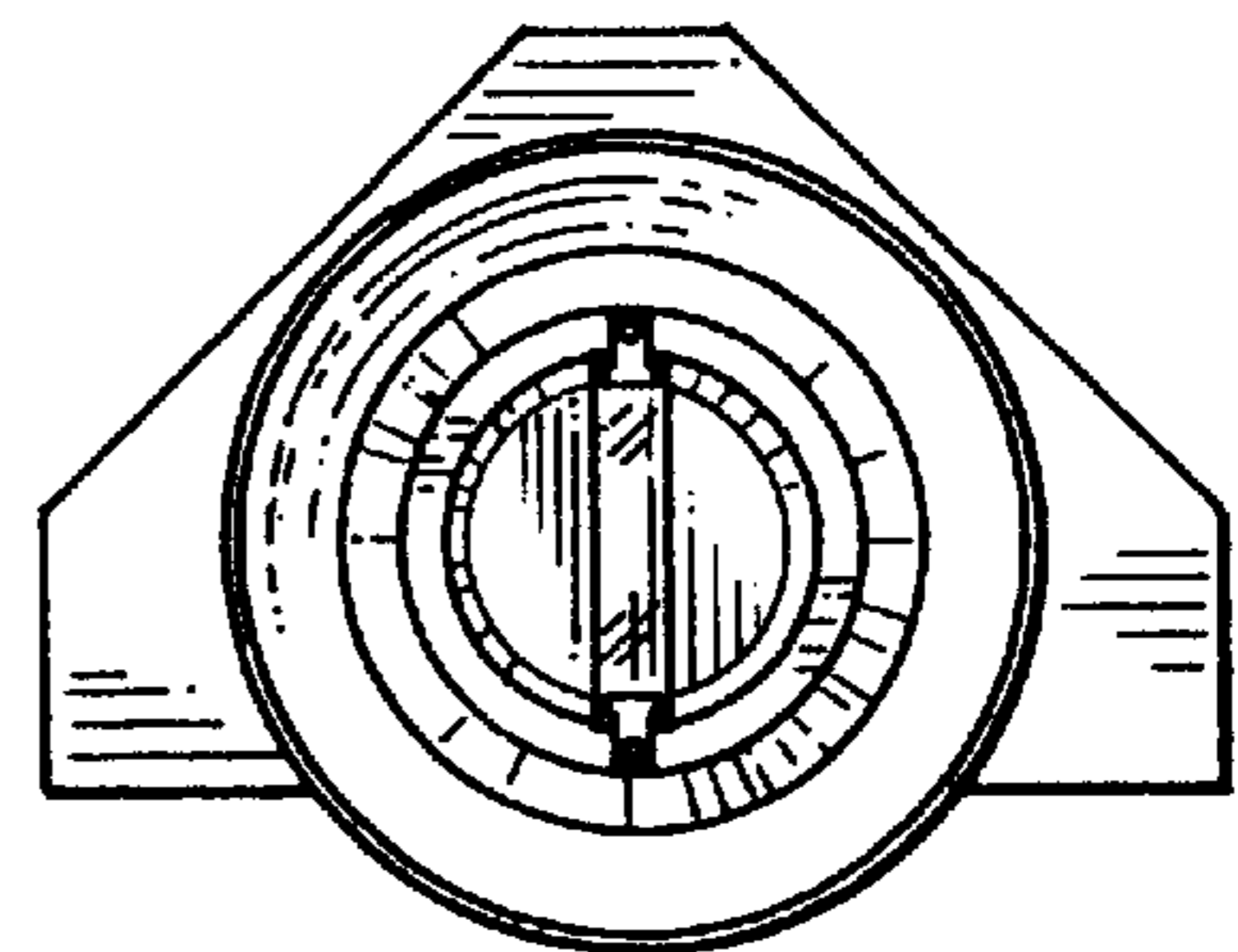


FIG. 2

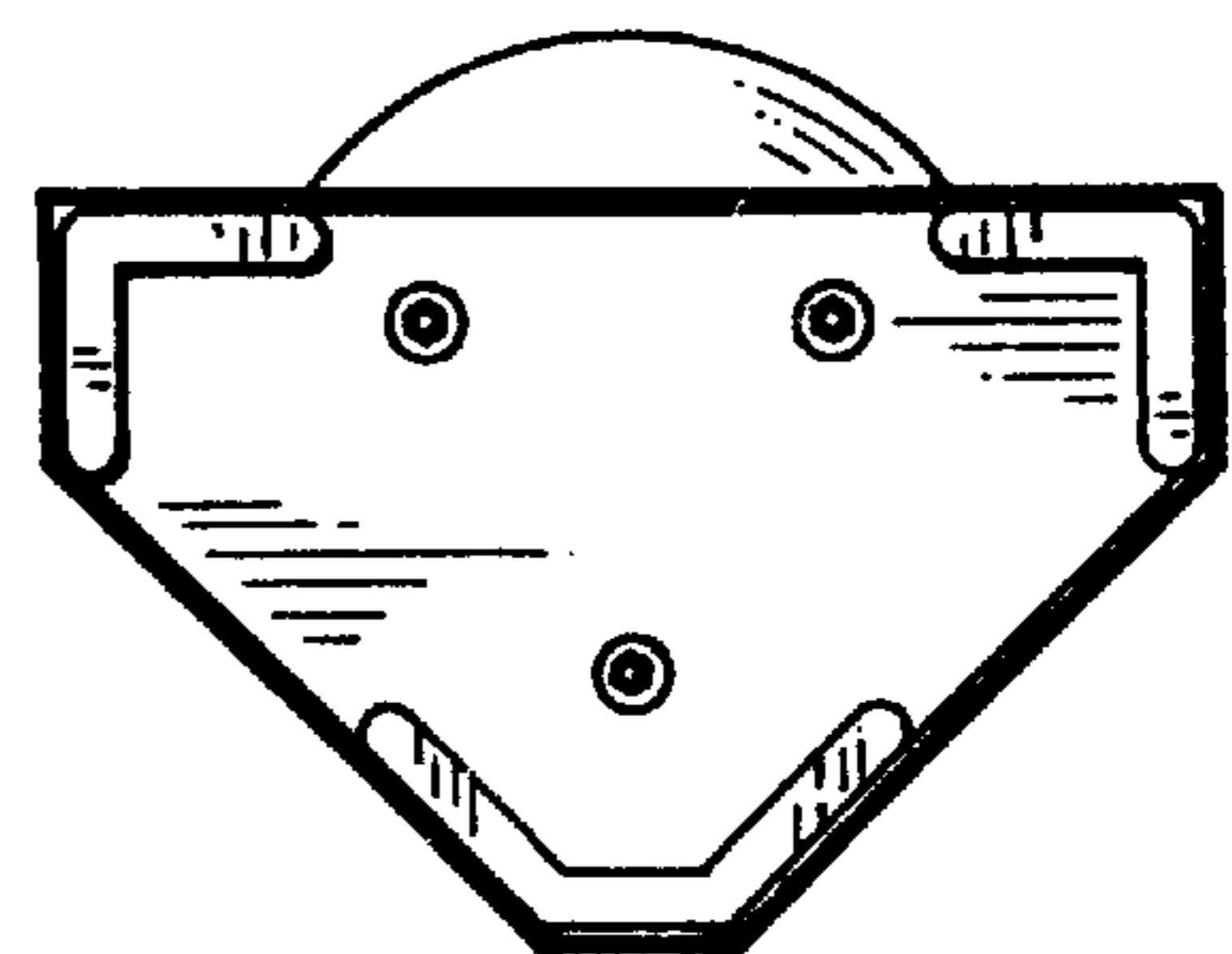


FIG. 3

FIG. 4

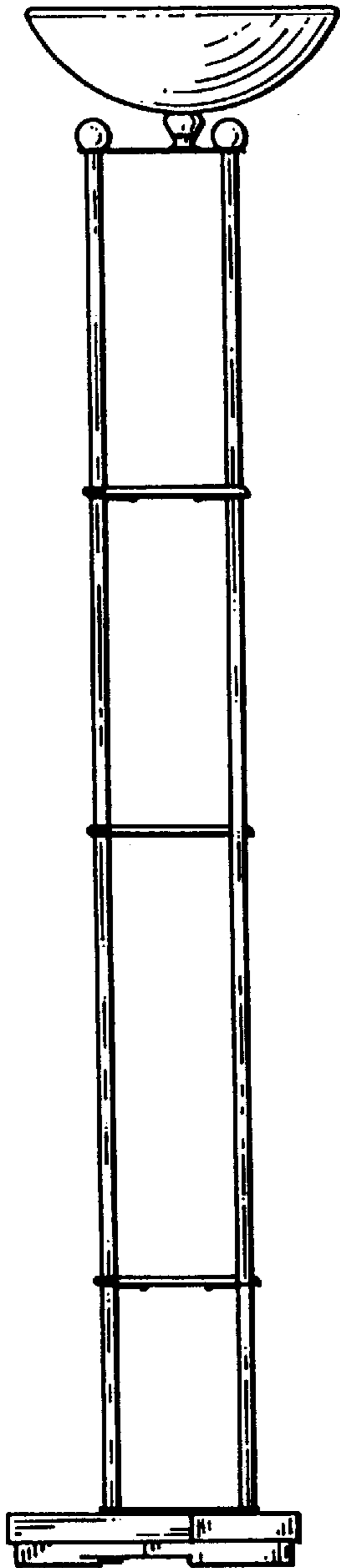


FIG. 5

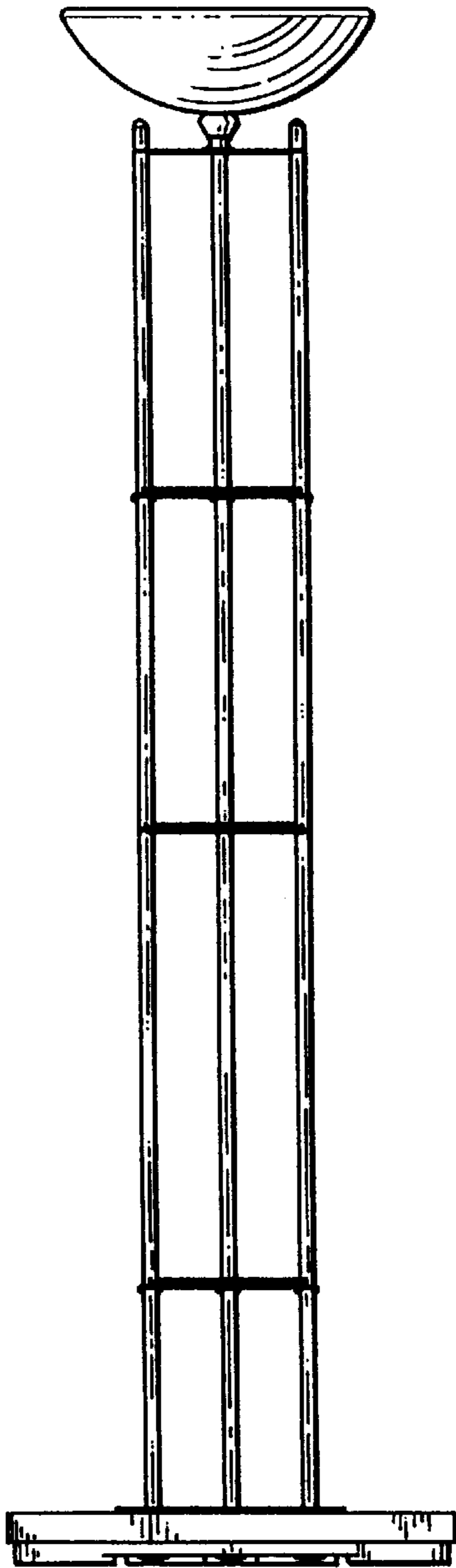
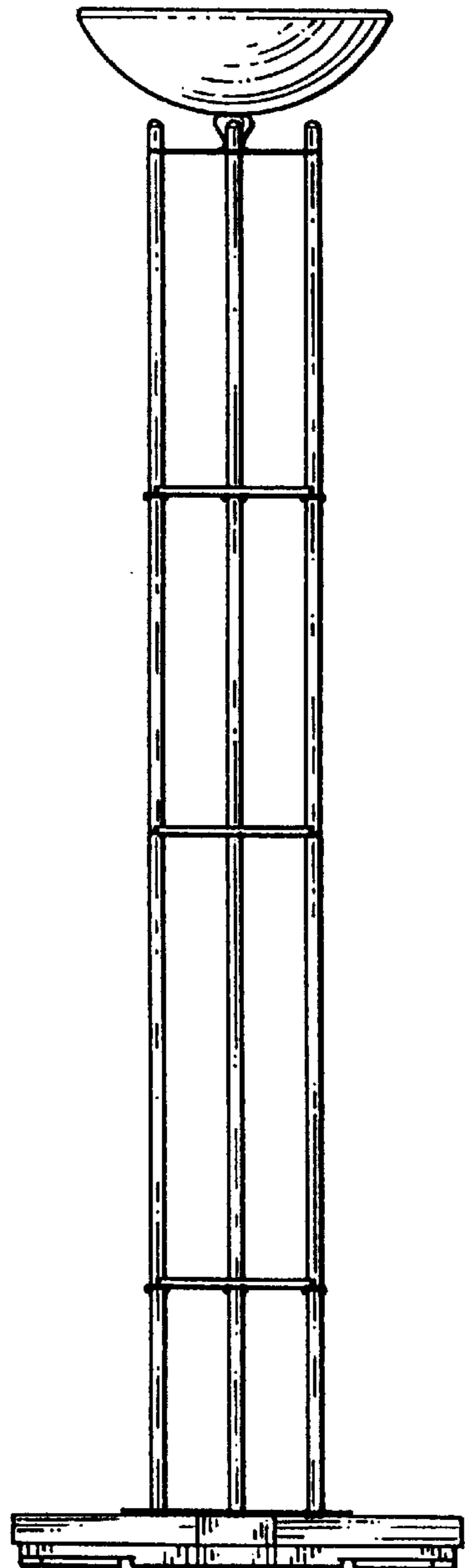


FIG. 6



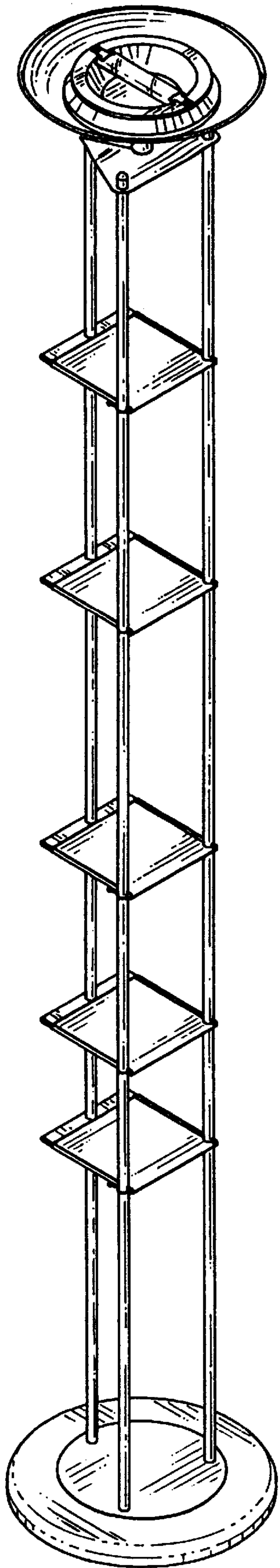


FIG. 7

FIG. 8

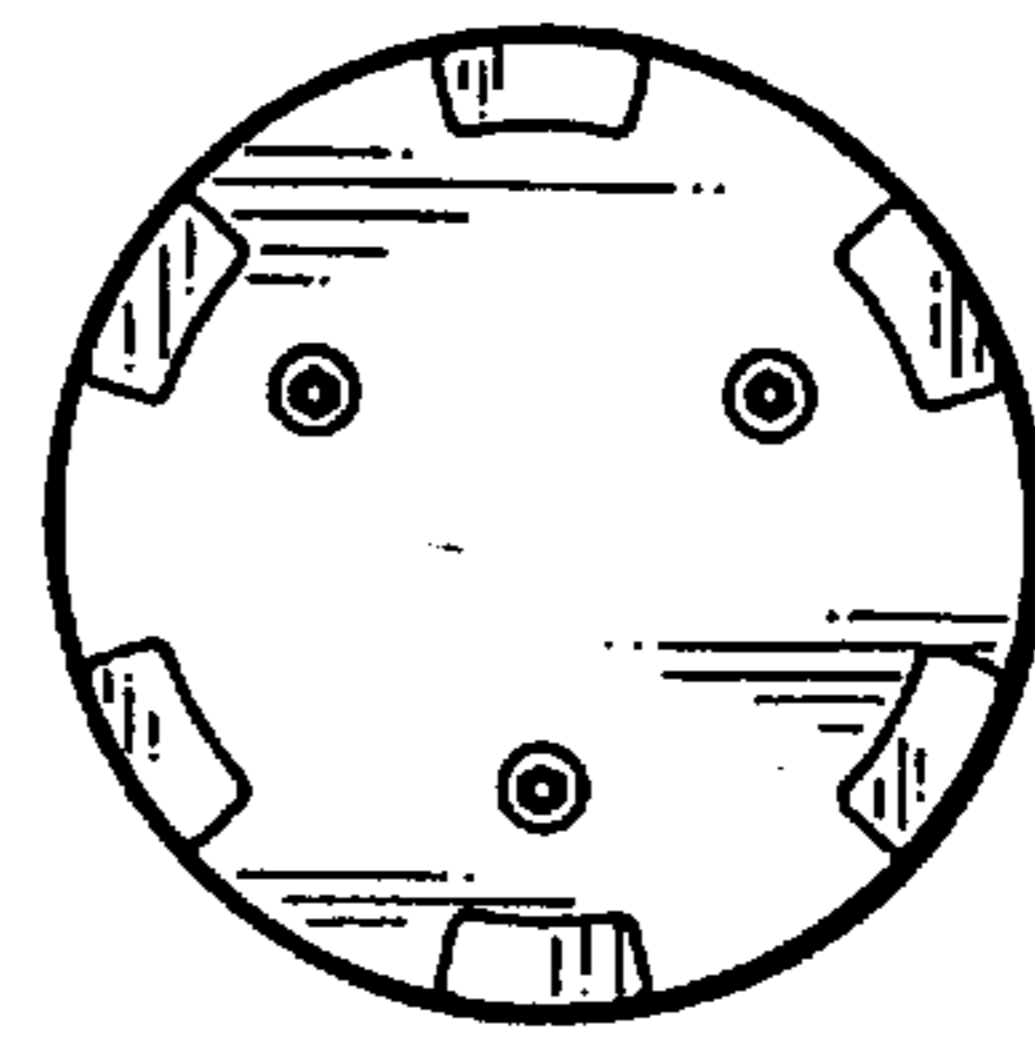
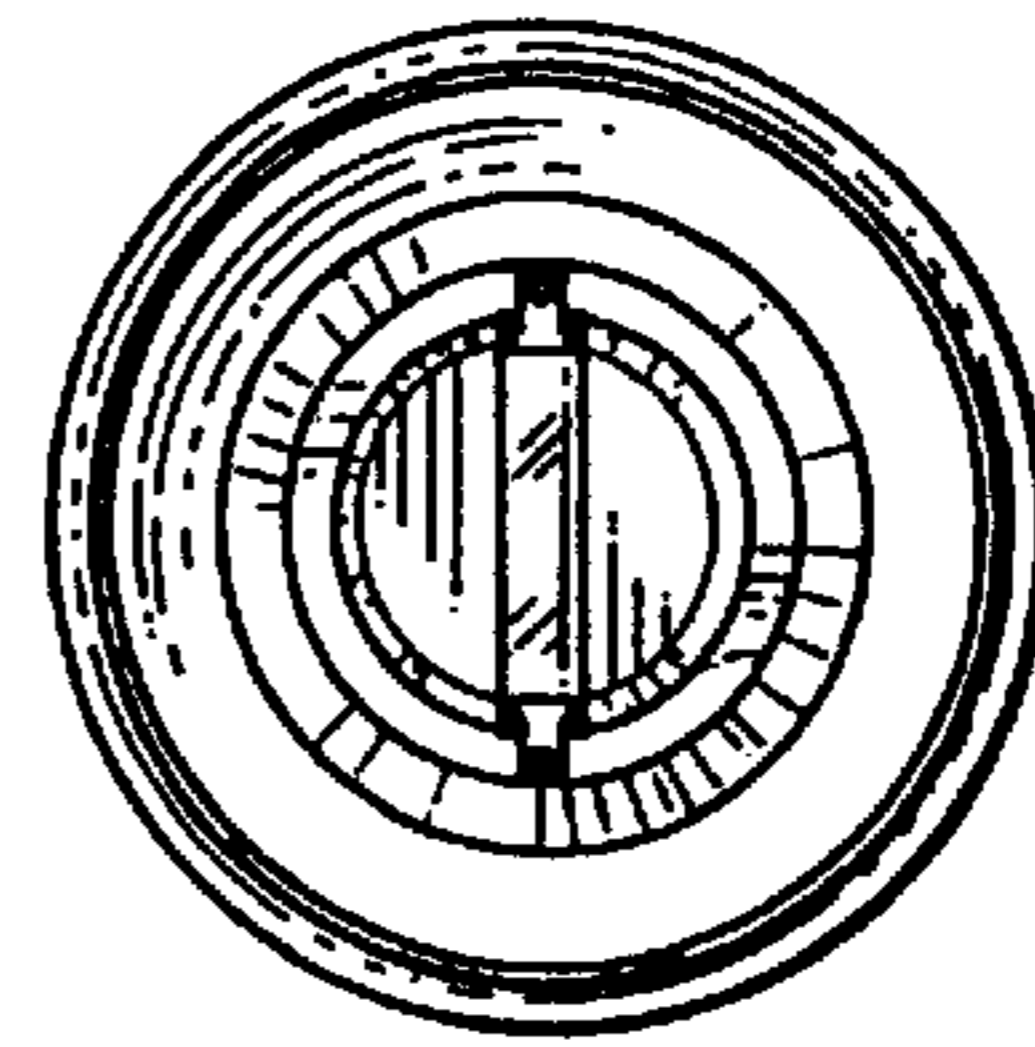


FIG. 9

FIG. 10

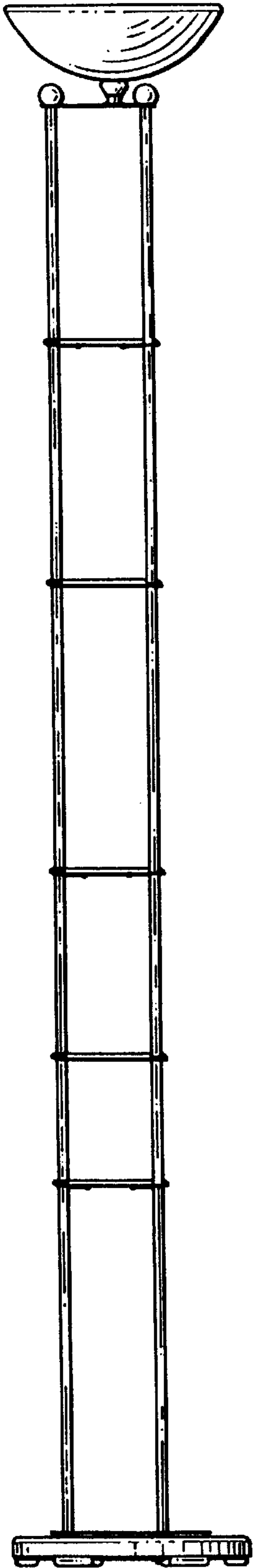


FIG. 11

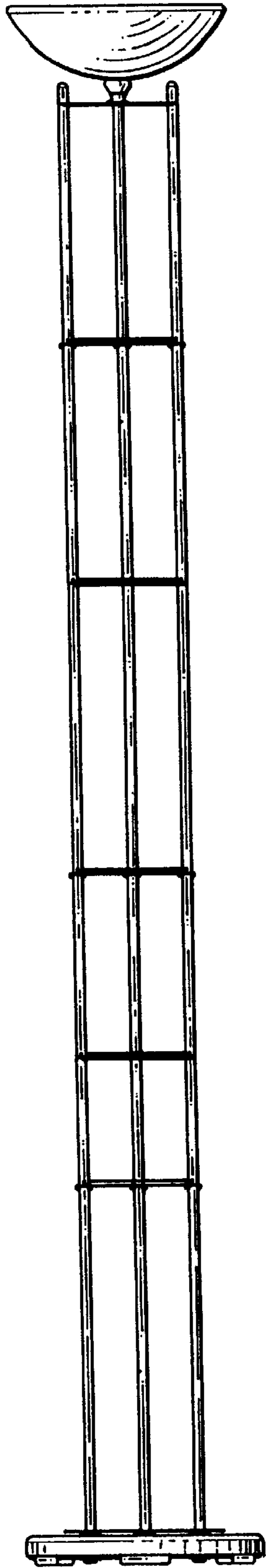


FIG. 12

