



US00D403170S

**United States Patent** [19]  
**Tseng**

[11] **Patent Number: Des. 403,170**

[45] **Date of Patent: \*\*Dec. 29, 1998**

[54] **CHAIR**

D. 388,269 12/1997 Tedesco et al. .... D6/501

[75] Inventor: **Chuen-Jong Tseng**, Chiayi Hsien,  
Taiwan

*Primary Examiner*—Gary D. Watson  
*Attorney, Agent, or Firm*—Ladas & Parry

[73] Assignee: **Shin Yen Enterprise Co., Ltd.**, Taiwan

[57] **CLAIM**

[\*\*] Term: **14 Years**

The ornamental design for a chair, as shown and described.

[21] Appl. No.: **81,917**

**DESCRIPTION**

[22] Filed: **Jan. 12, 1998**

FIG. 1 is a perspective view of a chair showing my new design;

[51] **LOC (6) Cl.** ..... **06-01**

FIG. 2 is a front elevational view thereof;

[52] **U.S. Cl.** ..... **D6/366**

FIG. 3 is a rear elevational view thereof;

[58] **Field of Search** ..... D6/334, 364, 365,  
D6/366, 367, 500, 501, 502; 297/411.2

FIG. 4 is a left side elevational view thereof;

FIG. 5 is a right side elevational view thereof;

FIG. 6 is a top plan view thereof; and,

FIG. 7 is a bottom plan view thereof.

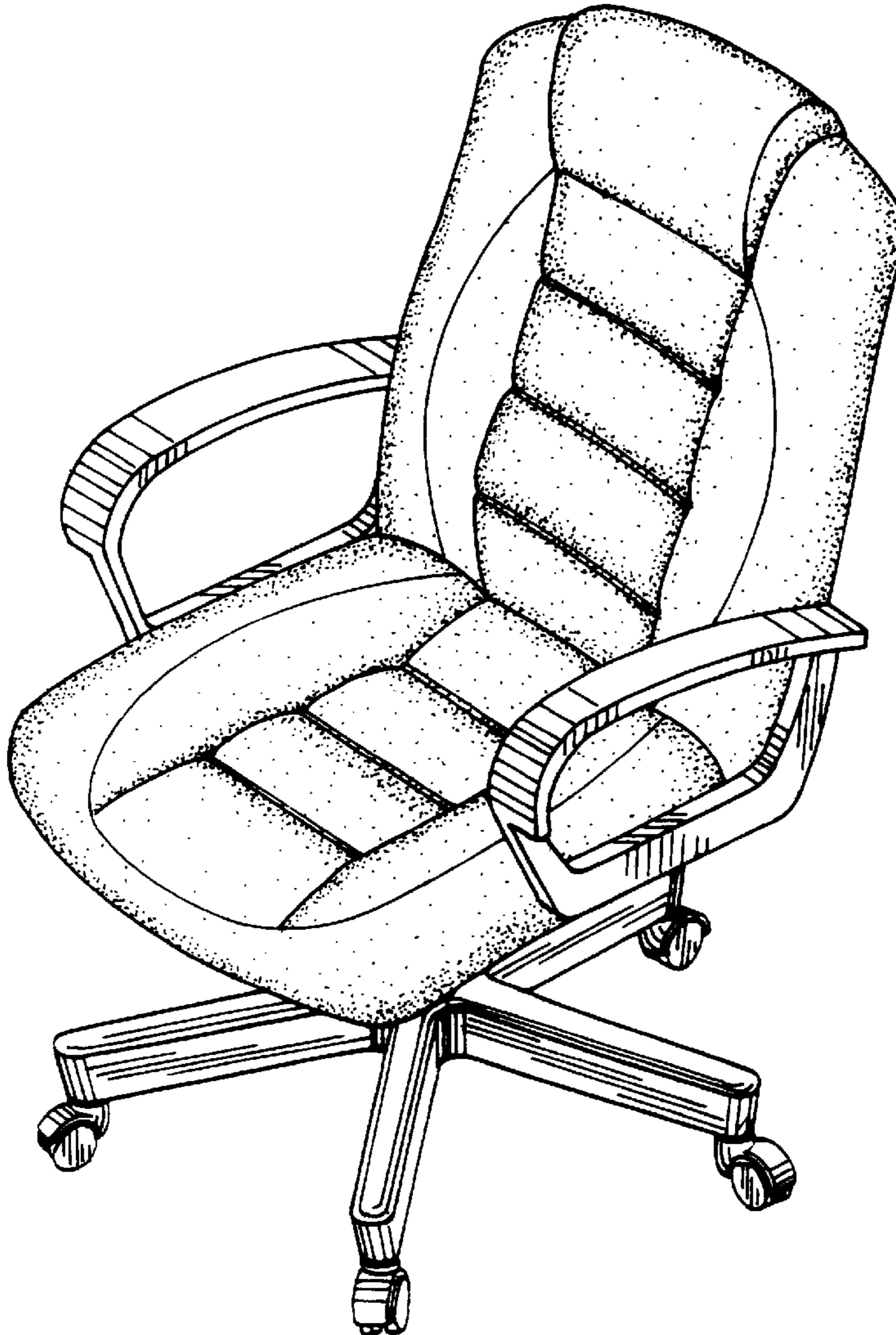
FIGS. 2 through 7 have been shown on a reduced scale with respect to FIG. 1.

[56] **References Cited**

**U.S. PATENT DOCUMENTS**

- D. 288,387 2/1987 Ochsner ..... D6/366
- D. 371,264 7/1996 McDiarmid ..... D6/502

**1 Claim, 4 Drawing Sheets**



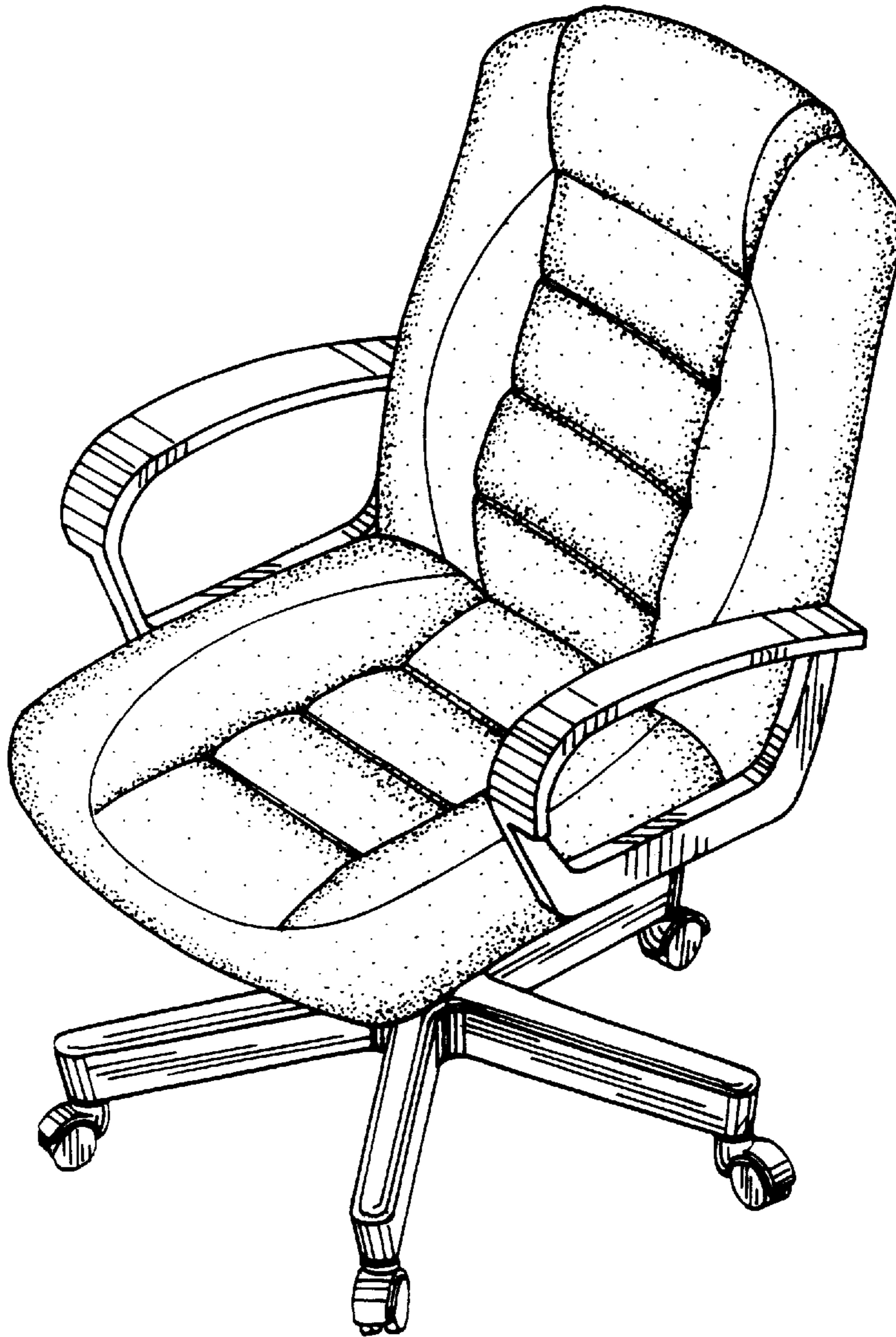


FIG. 1

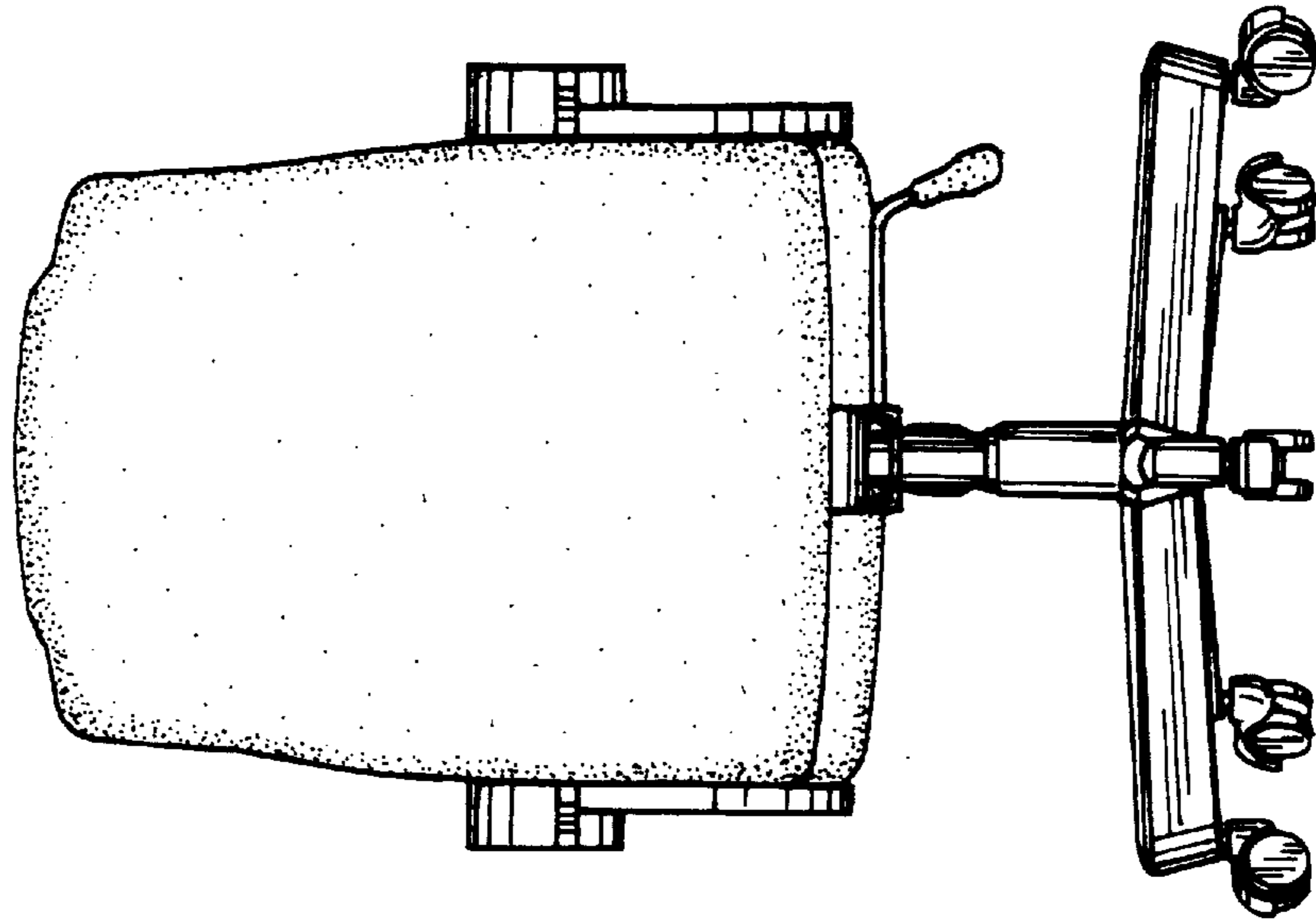


FIG. 3

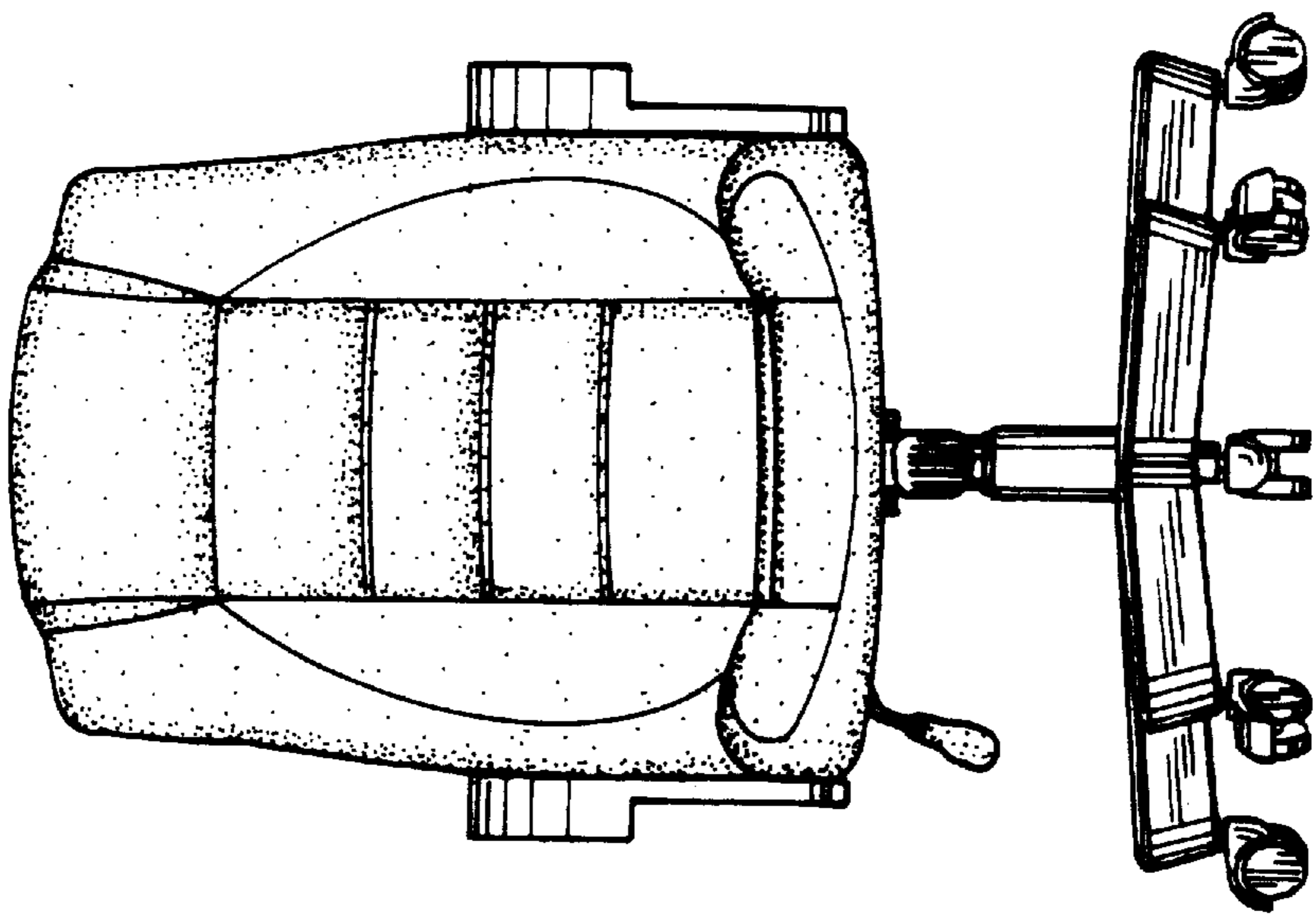


FIG. 2

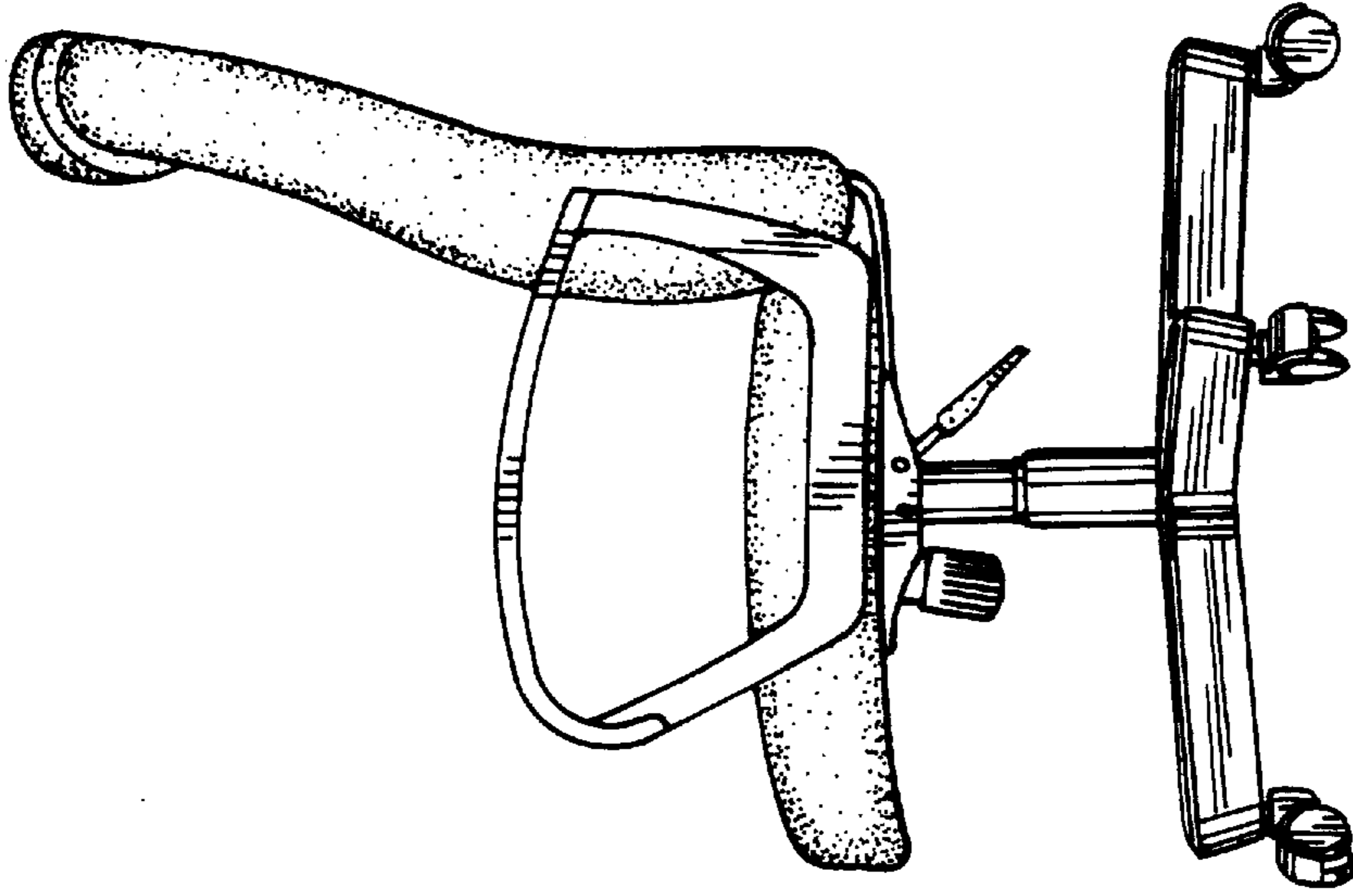


FIG. 5

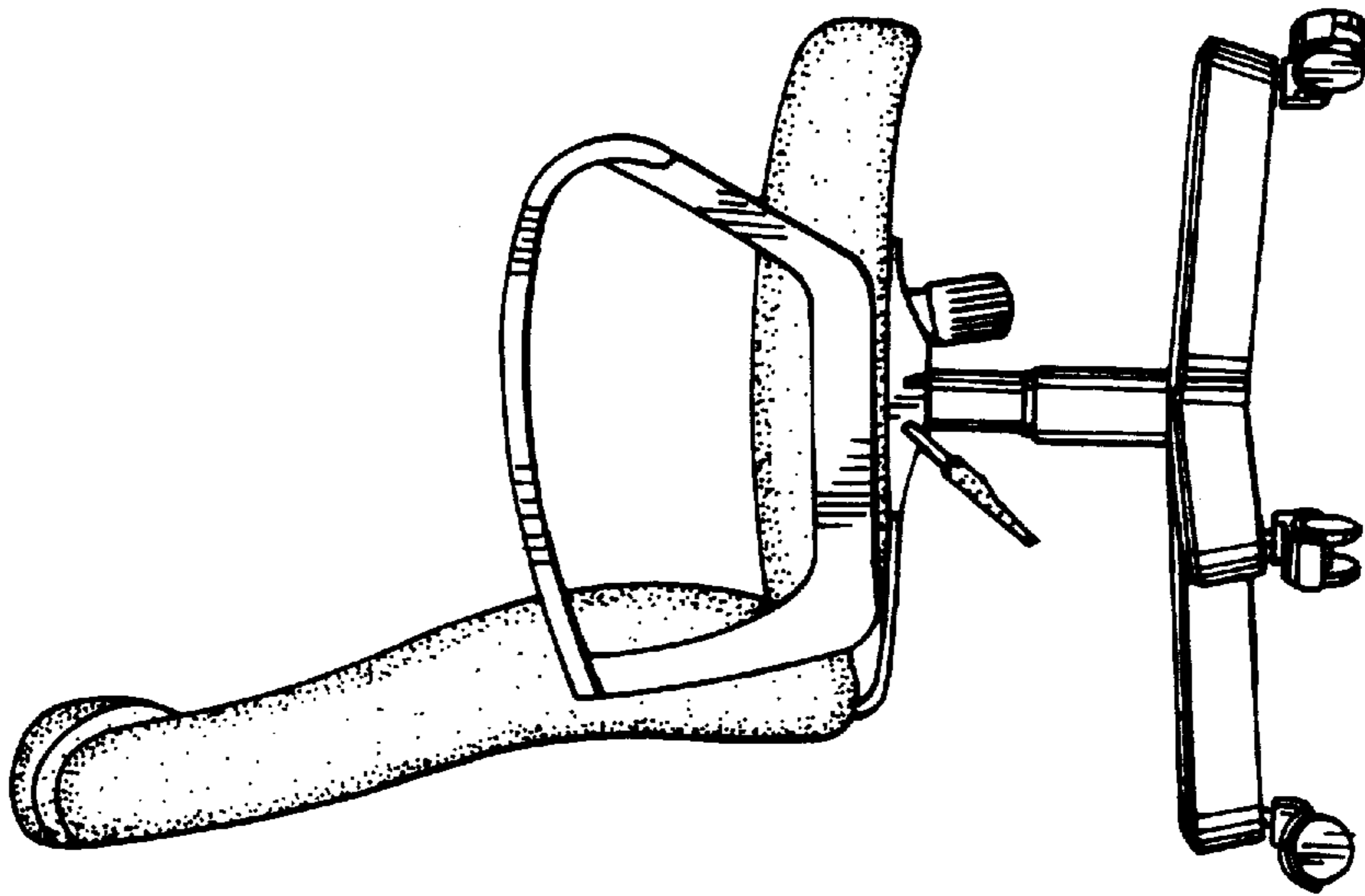


FIG. 4



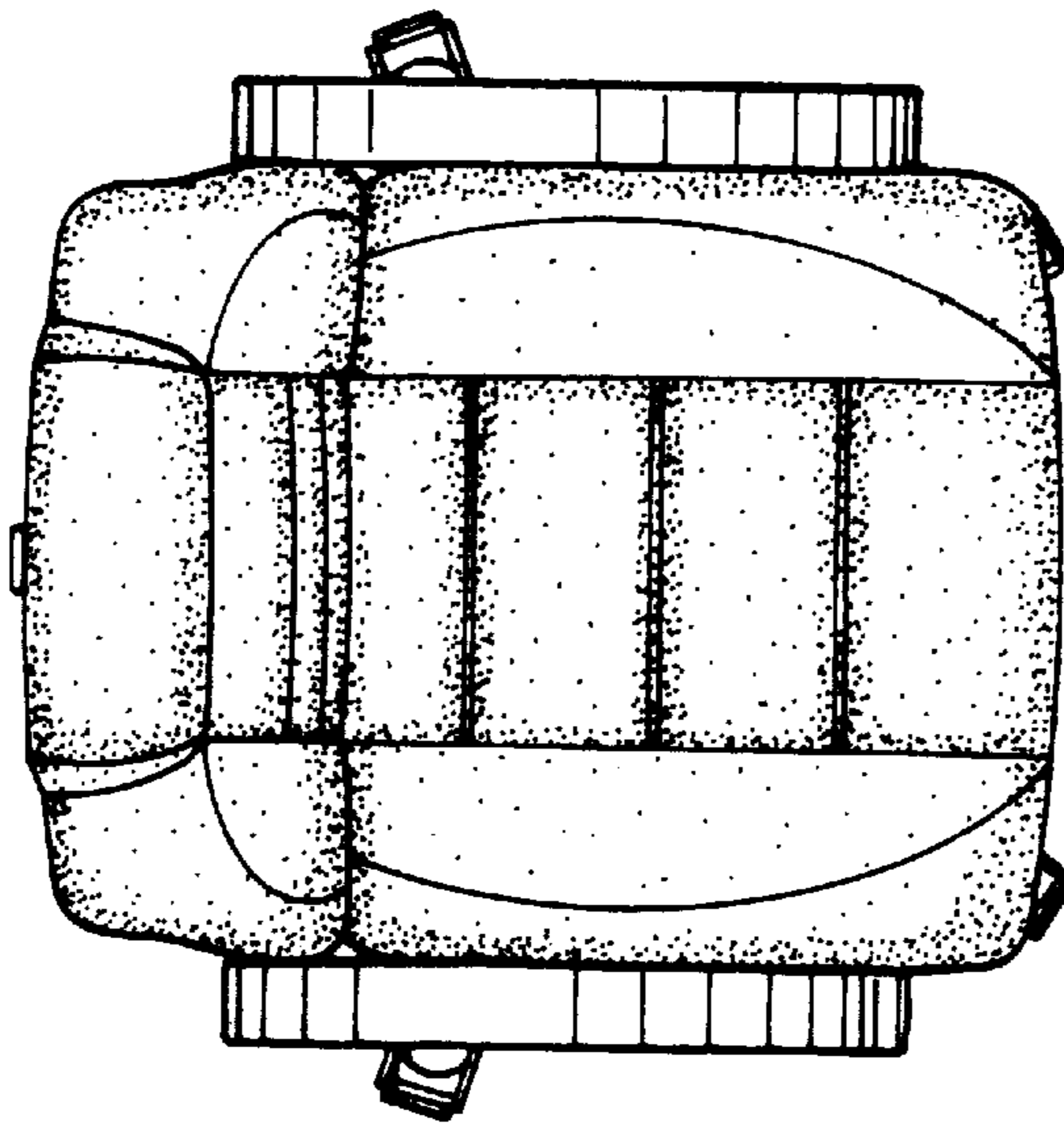


FIG. 6

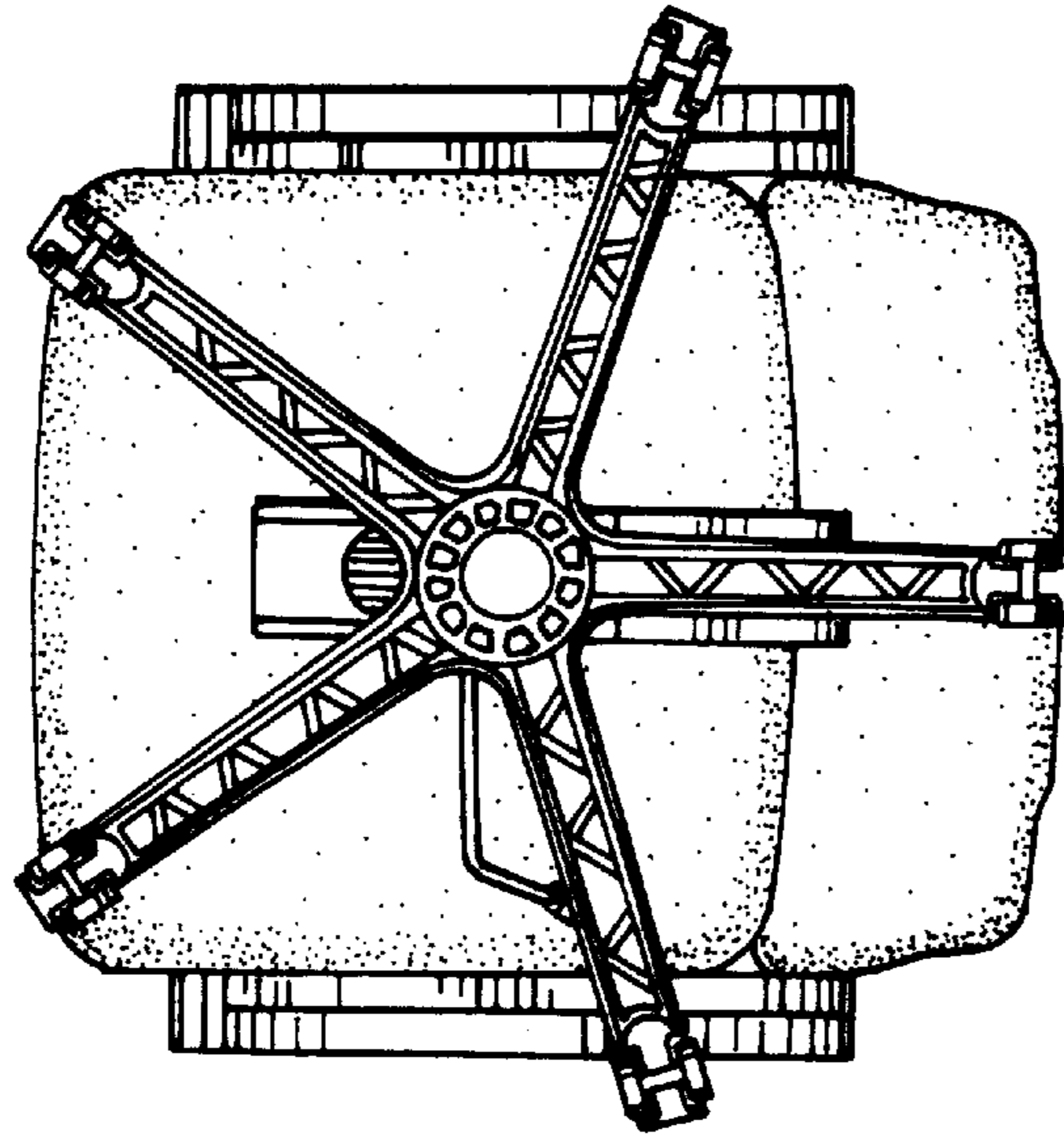


FIG. 7