



US00D403168S

United States Patent [19] Guibelalde

[11] **Patent Number: Des. 403,168**

[45] **Date of Patent: **Dec. 29, 1998**

[54] **SEAT**

D. 354,178 1/1995 Ochsner D6/366
D. 368,172 3/1996 Locher D6/366

[75] Inventor: **Jesus María Guibelalde**, Vitoria, Spain

[73] Assignee: **Imat Mobiliario y Diseno, S.A.**, Spain

[**] Term: **14 Years**

[21] Appl. No.: **64,378**

[22] Filed: **Dec. 30, 1996**

[30] **Foreign Application Priority Data**

Jul. 2, 1996 [ES] Spain 137.847

[51] **LOC (6) Cl.** **06-01**

[52] **U.S. Cl.** **D6/364**

[58] **Field of Search** D6/334, 335, 363,
D6/364, 365, 366, 374, 375, 379, 500,
501, 502; 297/232, 248

[56] **References Cited**

U.S. PATENT DOCUMENTS

D. 291,509 8/1987 Sapper D6/366
D. 295,466 5/1988 Bellini D6/366
D. 295,467 5/1988 Bellini D6/366

OTHER PUBLICATIONS

Contract Interiors, p. 48, Chair at top left, Aug. 1978.

Primary Examiner—Gary D. Watson

Attorney, Agent, or Firm—Bierman, Muserlian and Lucas

[57] **CLAIM**

The ornamental design for a seat, as shown and described.

DESCRIPTION

FIG. 1 is a front view of my seat design;

FIG. 2 is a back view of my seat design;

FIG. 3 is a right-side view of my seat design;

FIG. 4 is a left-side view of my seat design;

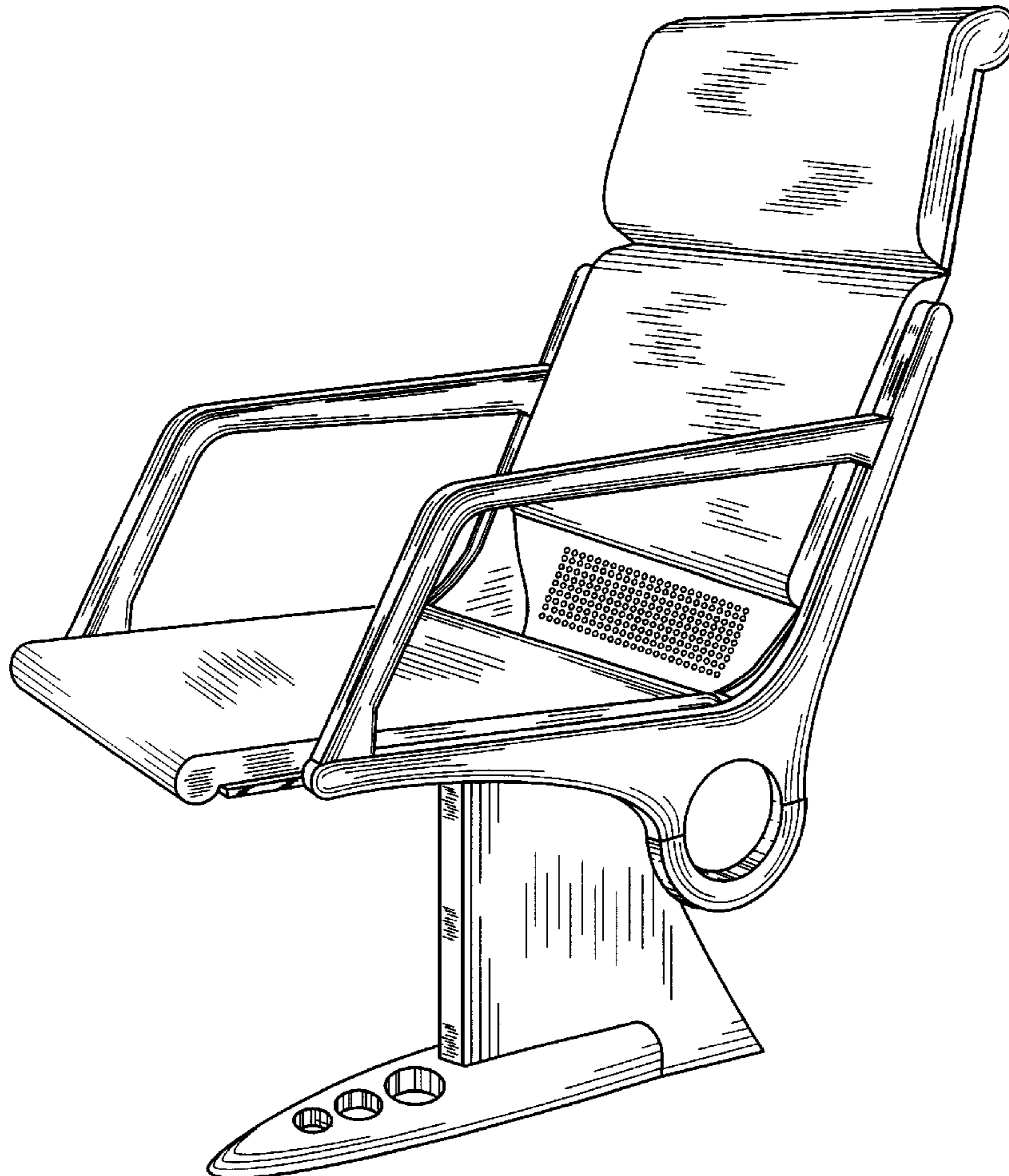
FIG. 5 is a top view of my seat design;

FIG. 6 is a bottom view of my seat design; and,

FIG. 7 is a perspective view of my seat design.

The supporting pipe has been shown in broken lines for environmental purposes only, and forms no part of the claimed design.

1 Claim, 7 Drawing Sheets



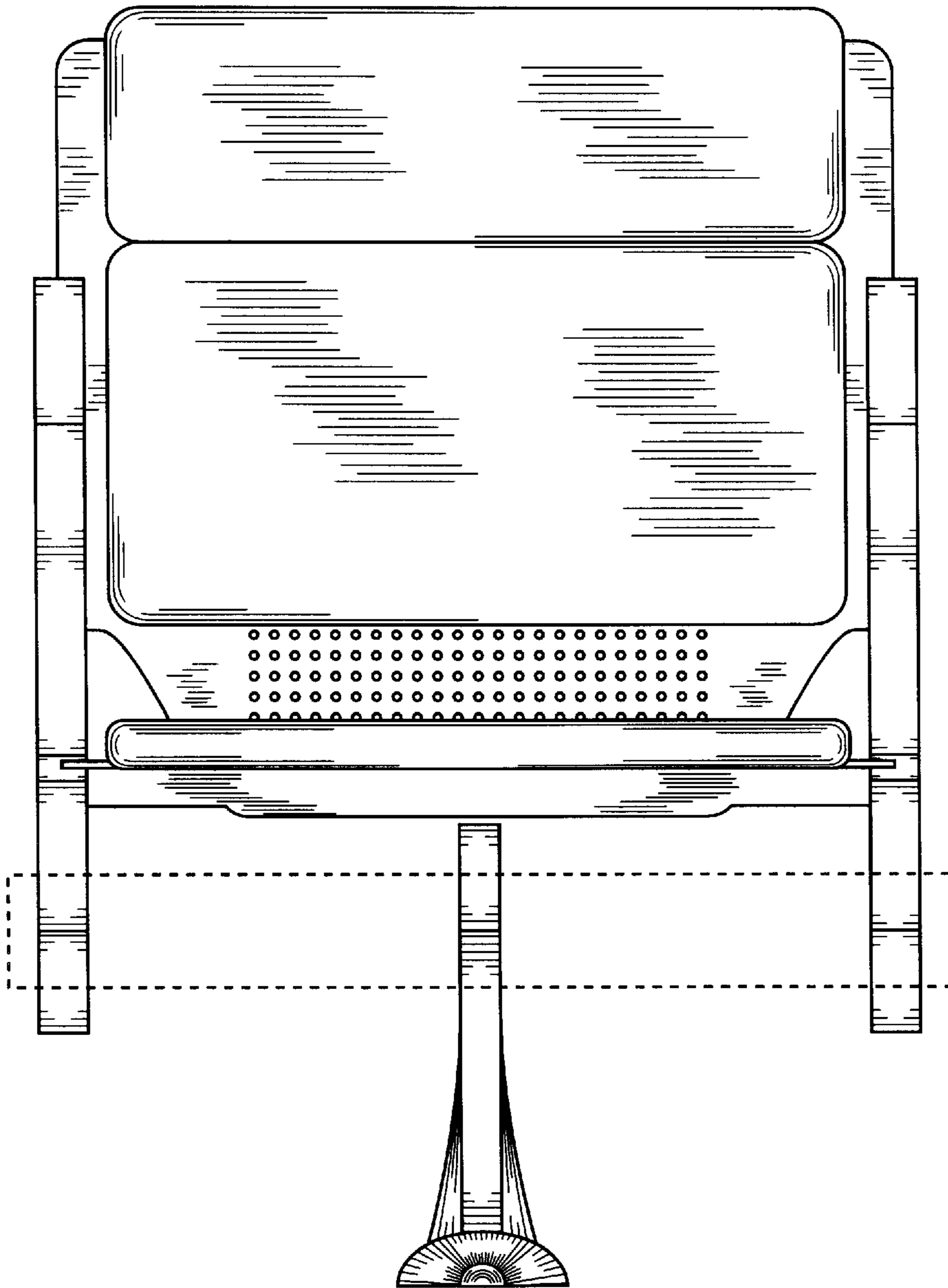


FIG. 1

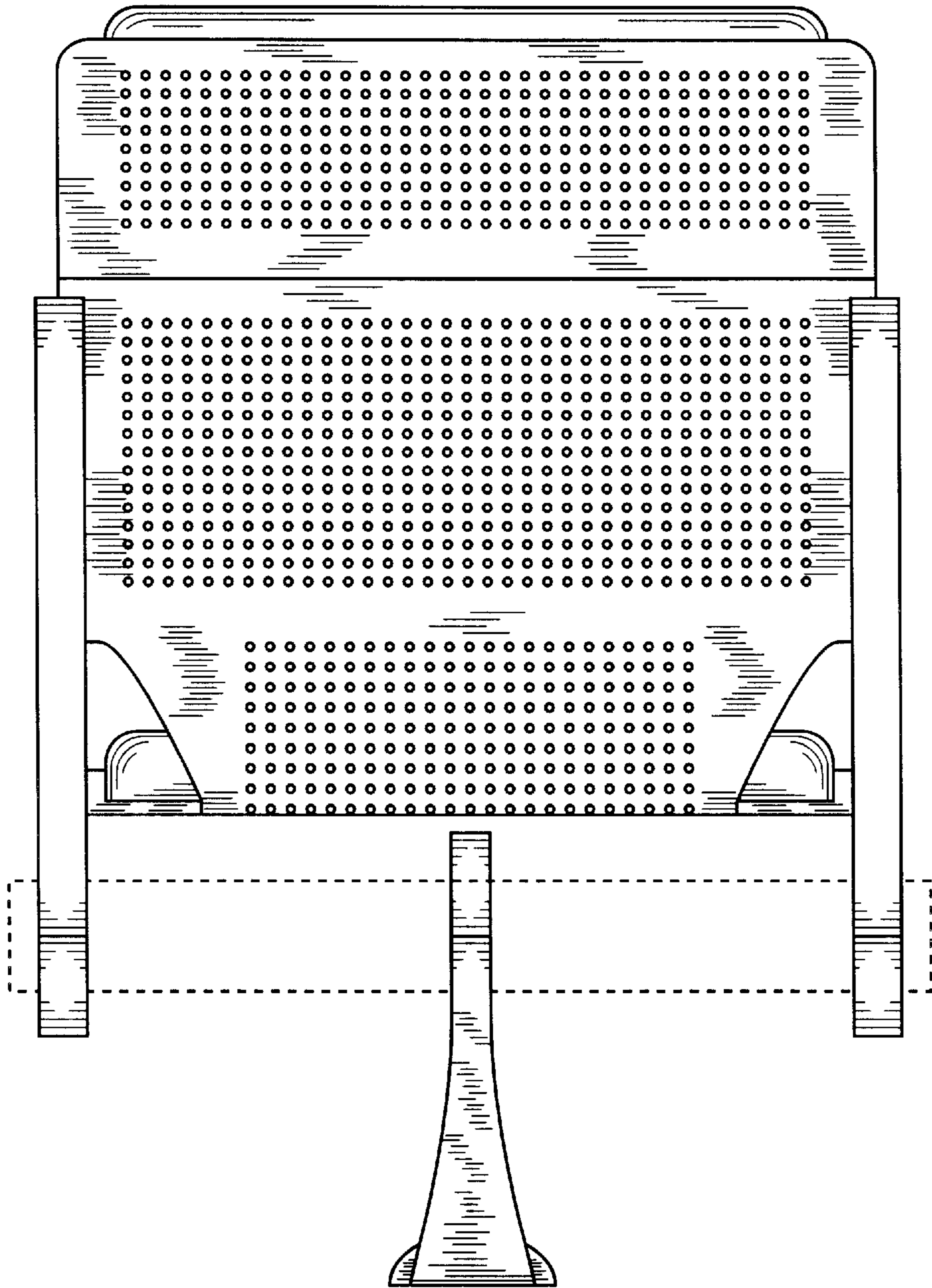


FIG. 2

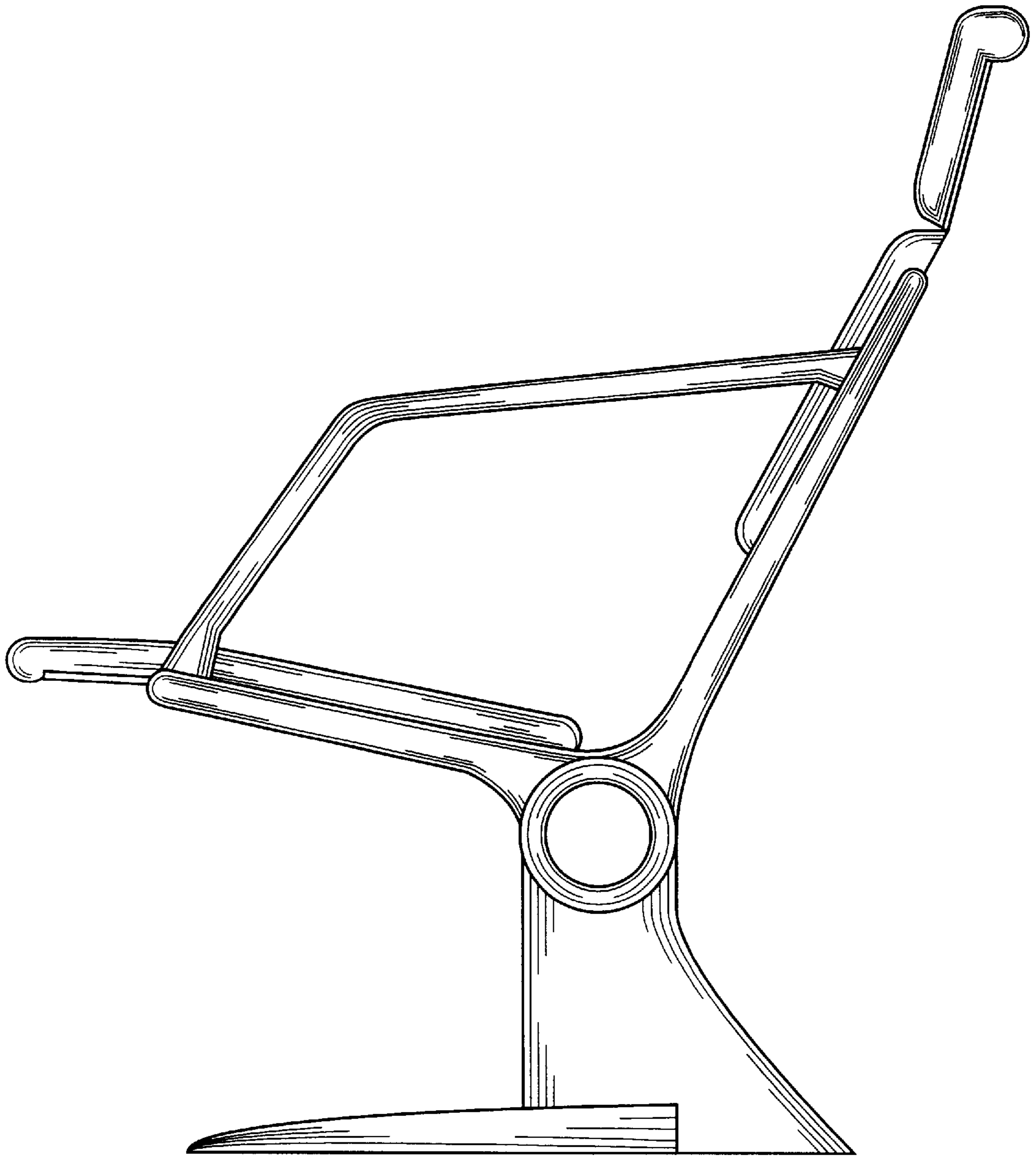


FIG. 3

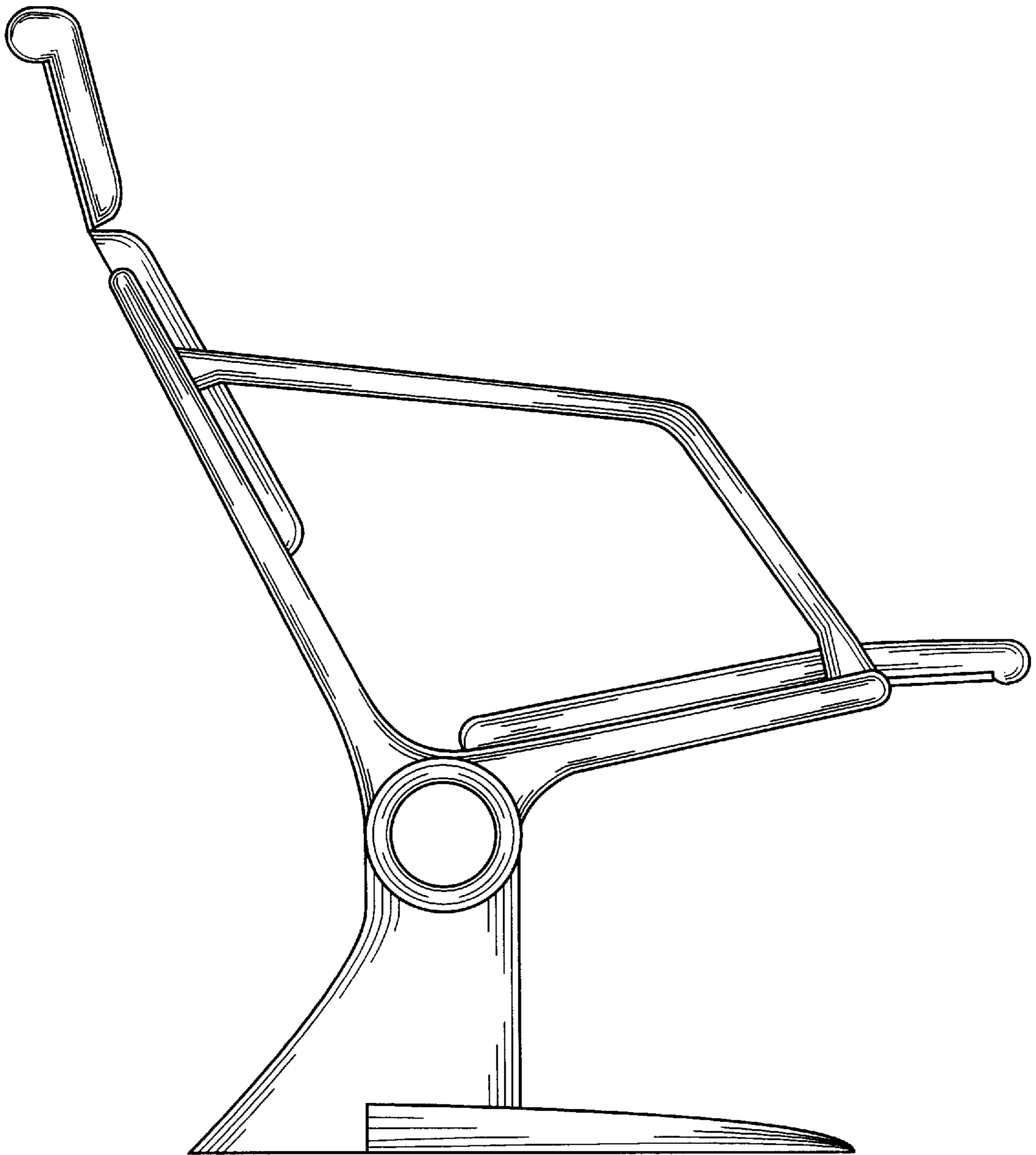


FIG. 4

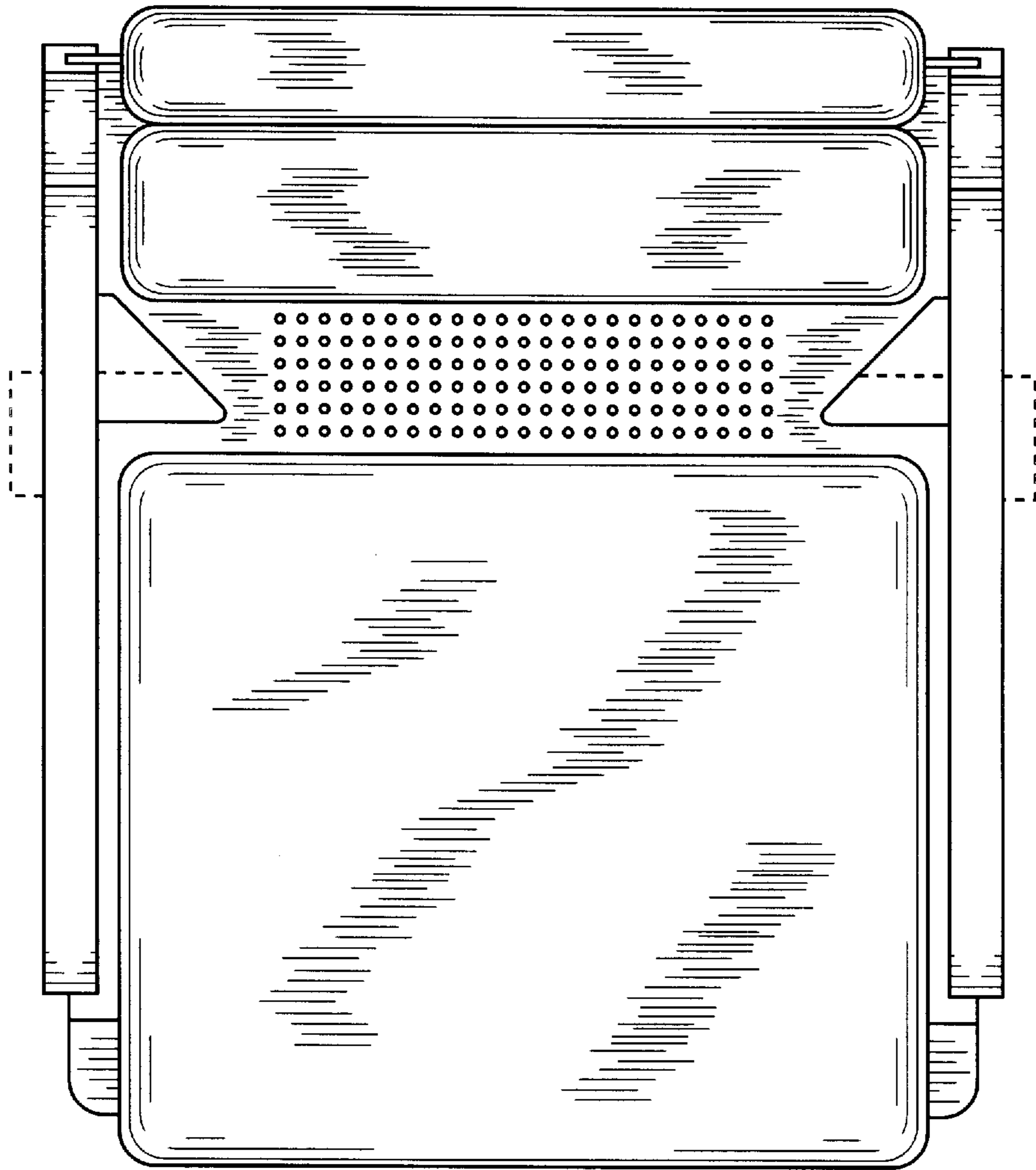


FIG. 5

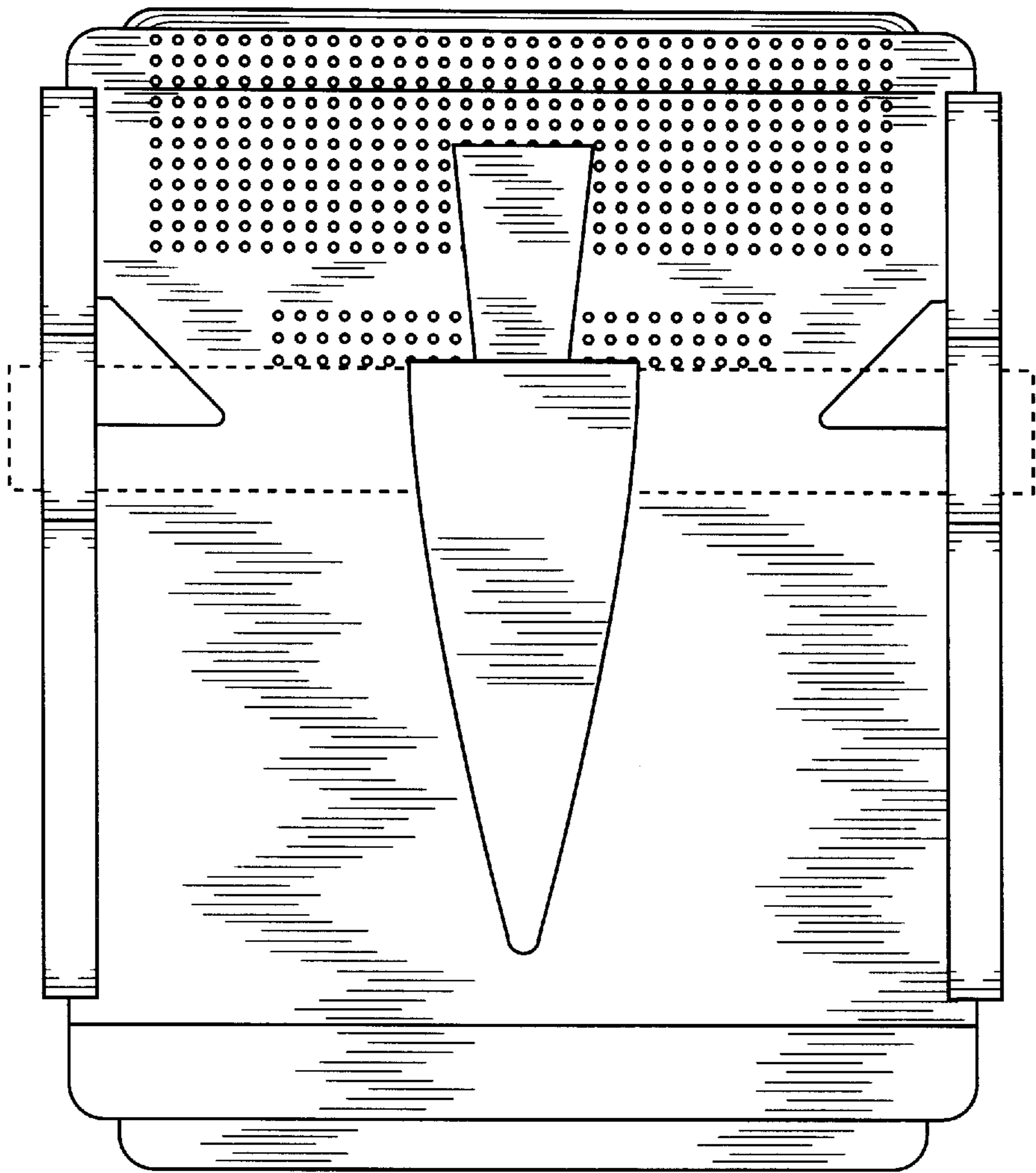


FIG. 6

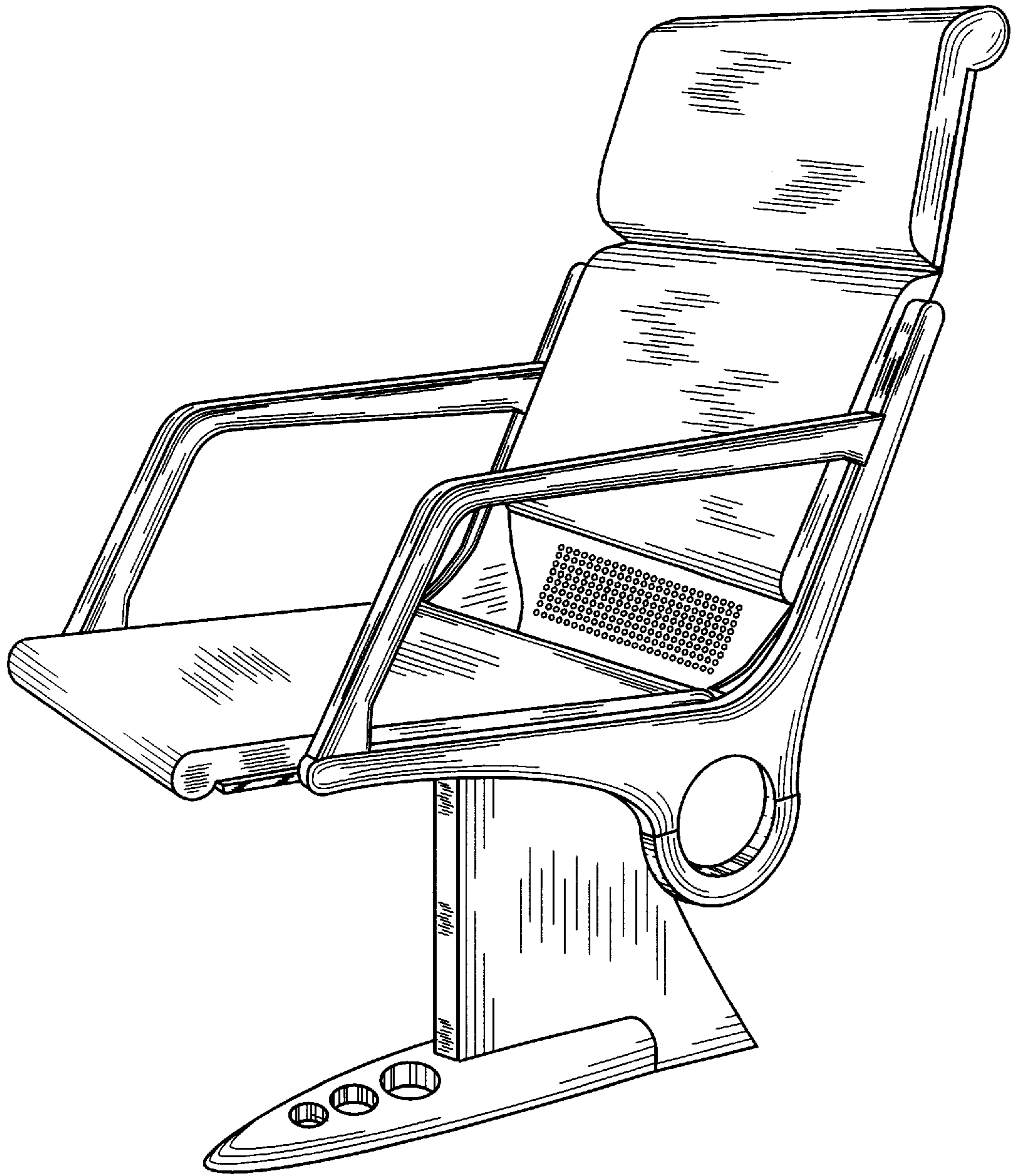


FIG. 7