



US00D403164S

United States Patent [19] Daughtry

[11] **Patent Number: Des. 403,164**

[45] **Date of Patent: **Dec. 29, 1998**

[54] **LIQUID HAIR TREATMENT DISPENSER HEAD**

[76] Inventor: **Fredrick Daughtry**, 1621 18th Ave. W., Bradington, Fla. 34205

[**] Term: **14 Years**

[21] Appl. No.: **76,087**

[22] Filed: **Sep. 2, 1997**

[51] **LOC (6) Cl.** **04-02**

[52] **U.S. Cl.** **D4/114; D28/7**

[58] **Field of Search** D4/114, 116, 135; D9/337, 338, 436; D28/7; 132/212, 270; 401/183-185, 274, 282, 284, 286, 287, 291

[56] **References Cited**

U.S. PATENT DOCUMENTS

3,477,447	11/1969	Eldredge	132/212
4,209,027	6/1980	Morganroth	132/212
4,354,512	10/1982	Roppatte, Jr.	132/212
4,859,105	8/1989	Davis et al.	401/286
5,333,627	8/1994	Mehring et al.	401/287 X

FOREIGN PATENT DOCUMENTS

2202137 9/1988 United Kingdom 401/274

Primary Examiner—Alan P. Douglas
Assistant Examiner—Lavone D. Tabor
Attorney, Agent, or Firm—Charles J. Prescott

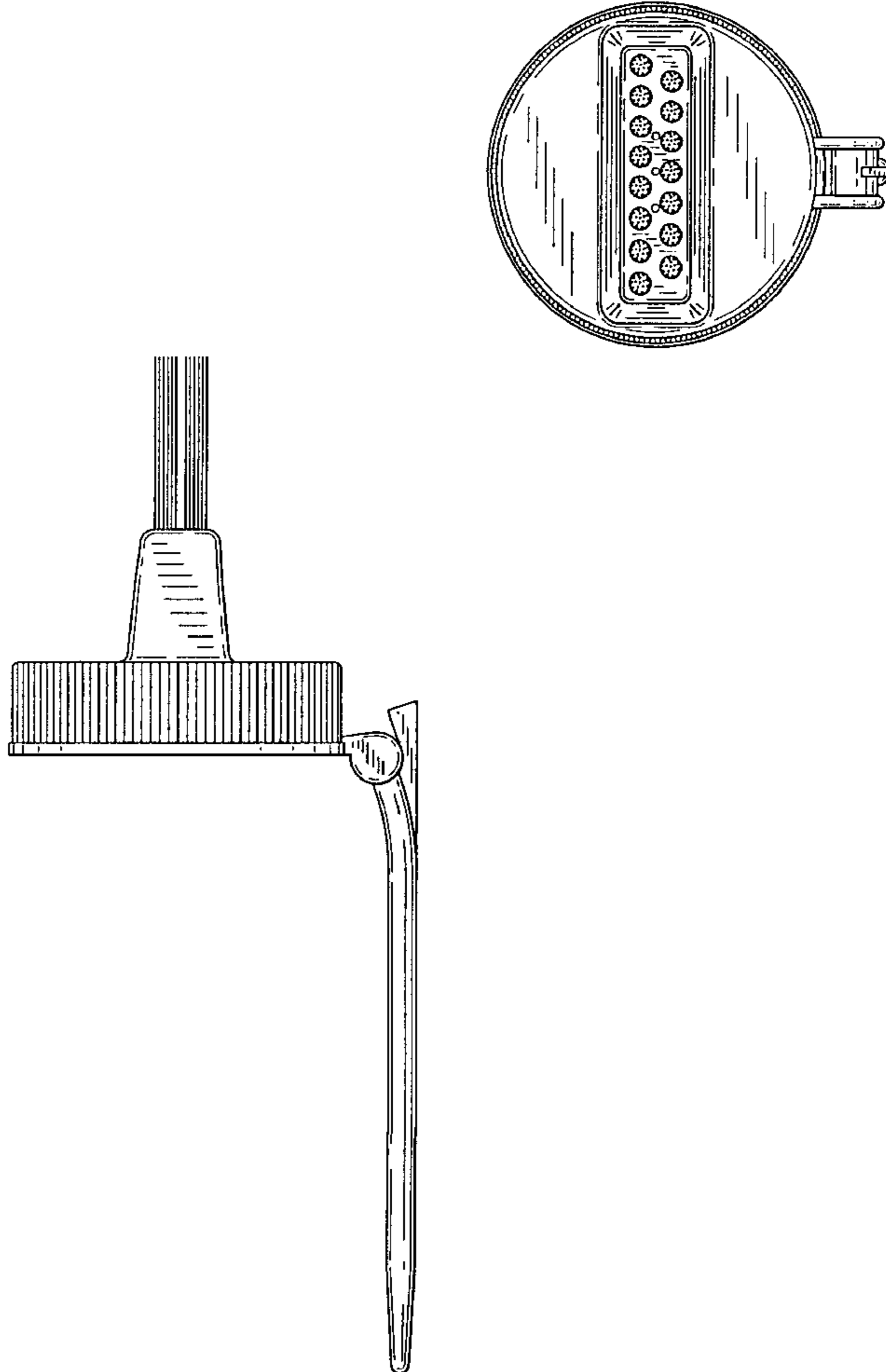
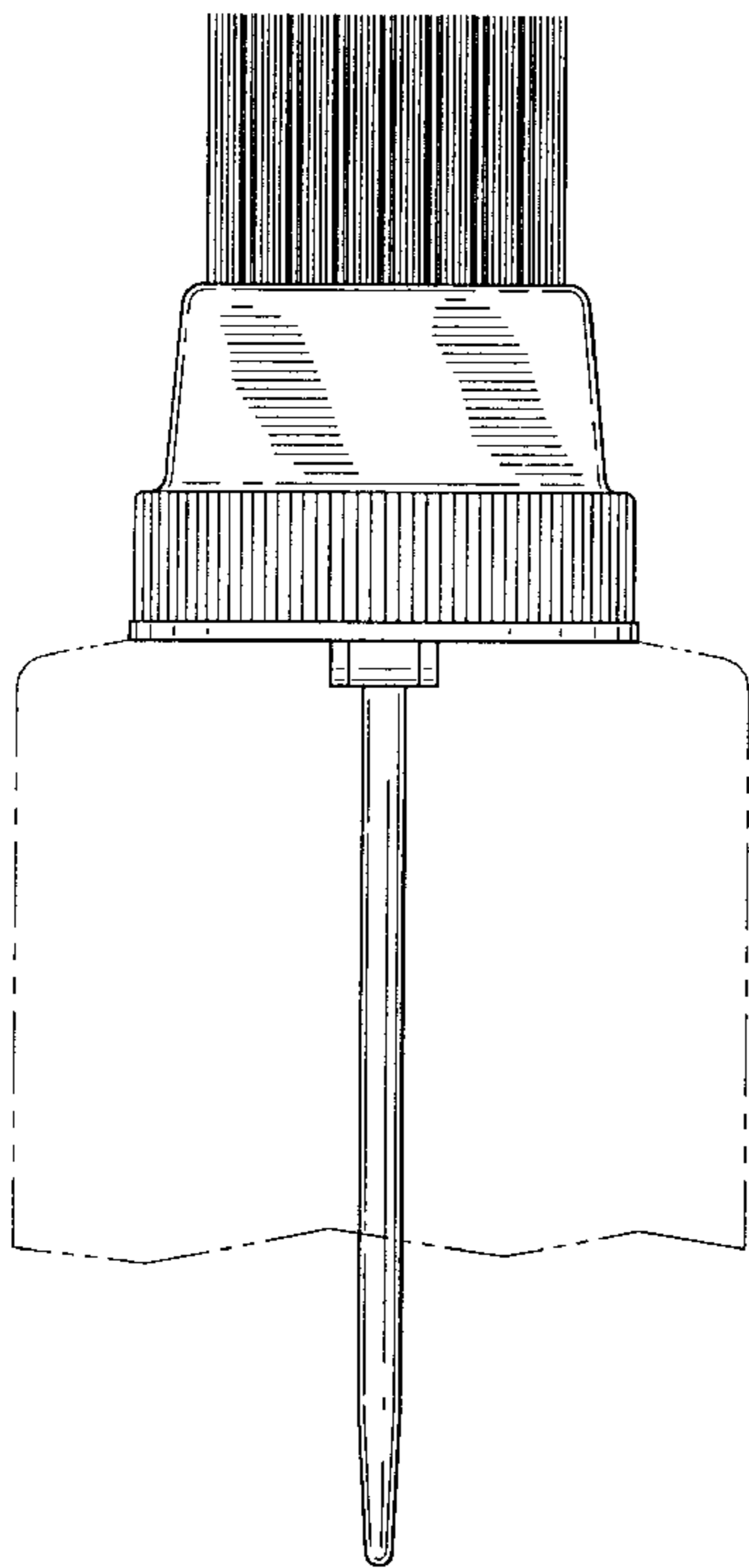
[57] **CLAIM**

The ornamental design for a liquid hair treatment dispenser head, as shown and described.

DESCRIPTION

FIG. 1 is a front elevation view of a liquid hair treatment dispenser head with a container in phantom attached thereto showing my new design;
FIG. 2 is a rear elevation view thereof;
FIG. 3 is a side elevation view thereof the reverse side being a mirror image; and,
FIG. 4 is a top plan view thereof.
The fragmentary broken line showing of a container in FIG. 1 is for illustrative purposes only and forms no part of the claimed design.

1 Claim, 2 Drawing Sheets



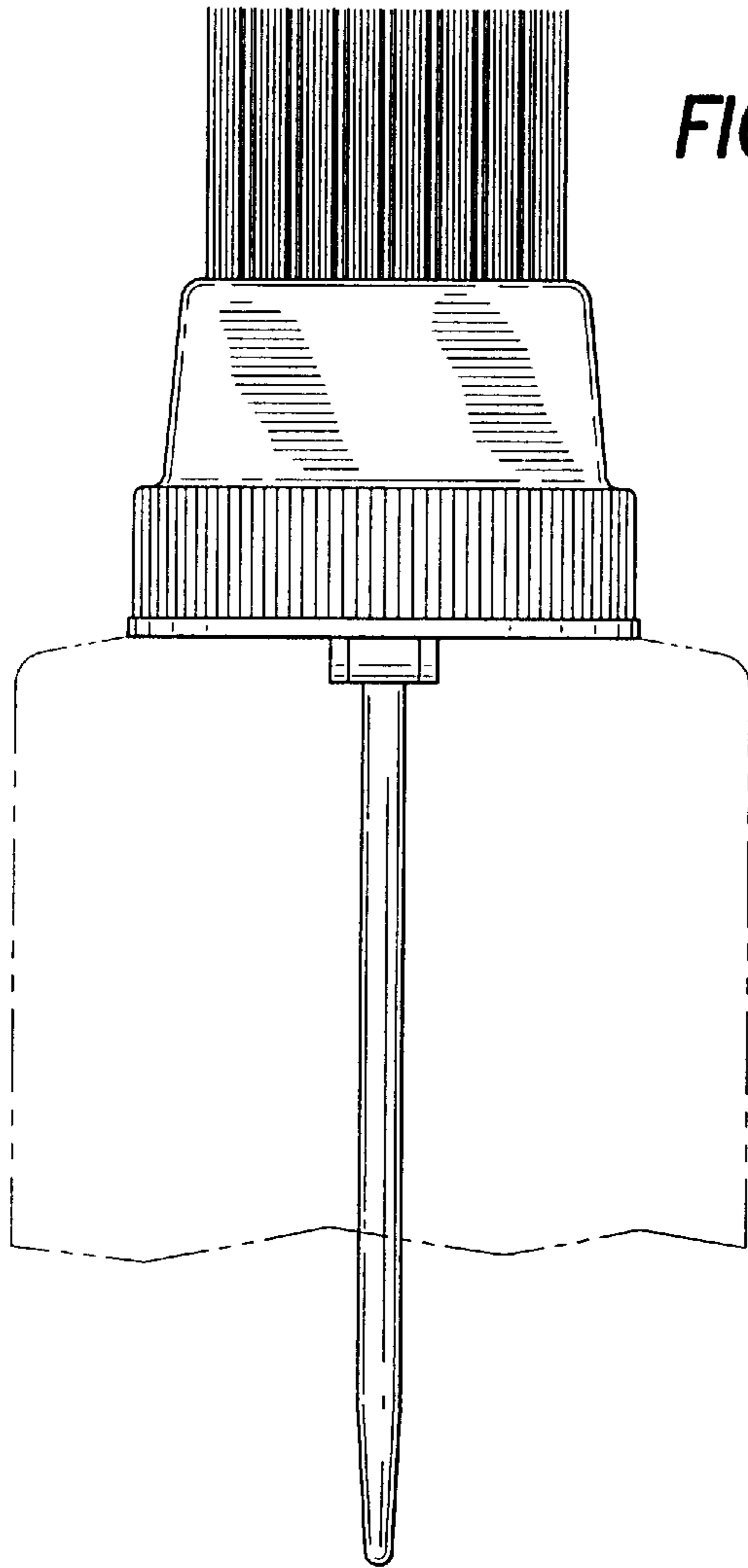


FIG. 1

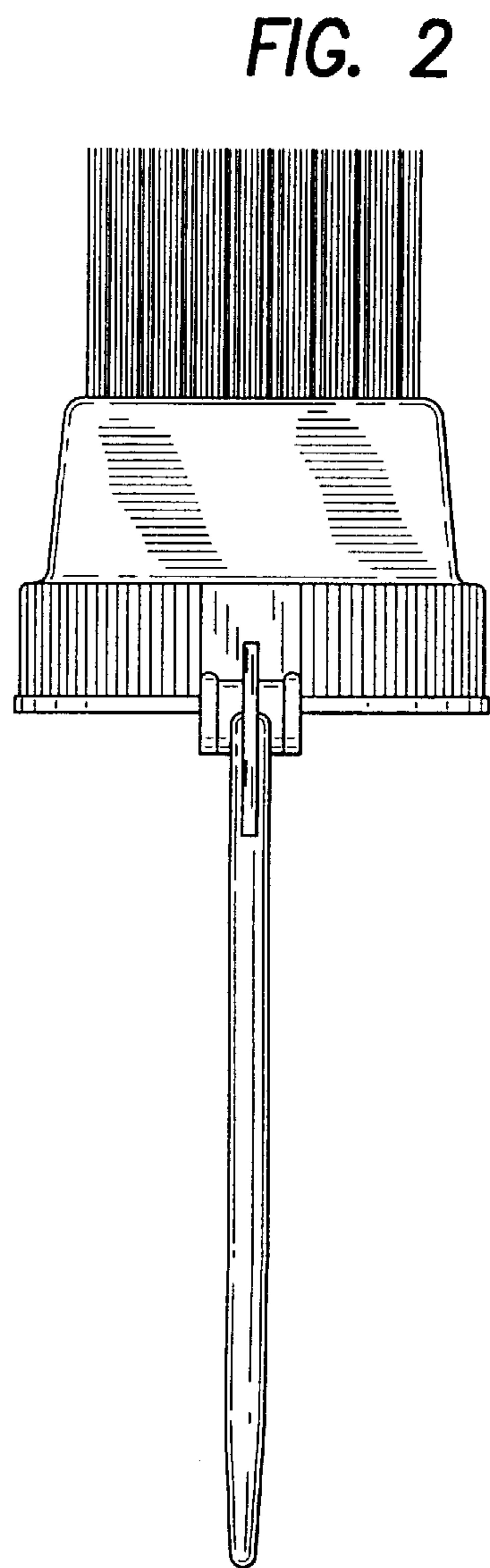


FIG. 2

FIG. 3

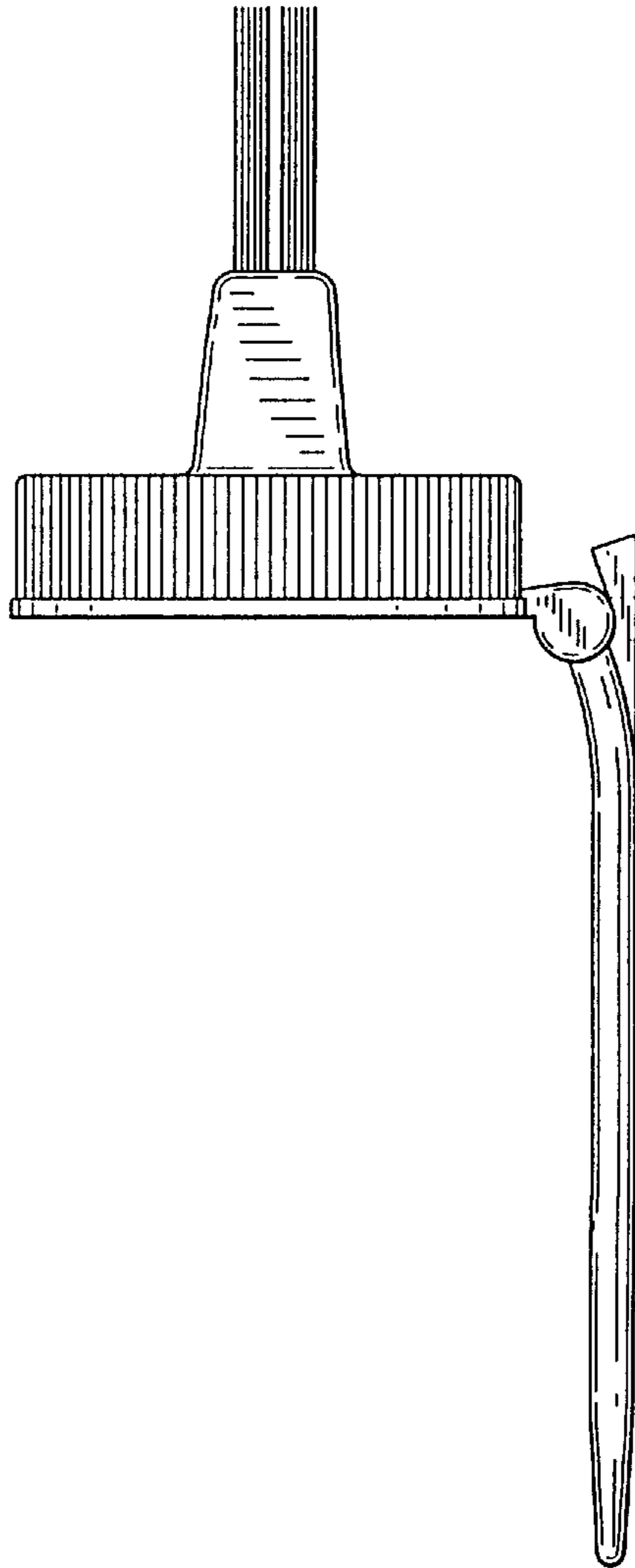


FIG. 4

