



US00D403163S

**United States Patent** [19]  
**Lipps**

[11] **Patent Number: Des. 403,163**

[45] **Date of Patent: \*\*Dec. 29, 1998**

[54] **EXERCISE DEVICE**

[76] Inventor: **John D. Lipps**, 1514 Ridgcrest Dr.,  
Kent, Ohio 44240

[\*\*] Term: **14 Years**

[21] Appl. No.: **83,637**

[22] Filed: **Feb. 13, 1998**

[51] **LOC (6) Cl.** ..... **21-02**

[52] **U.S. Cl.** ..... **D3/692**

[58] **Field of Search** ..... D21/662, 673,  
D21/692; 482/121, 122, 123, 124, 125,  
126, 140

[56] **References Cited**

**U.S. PATENT DOCUMENTS**

- D. 382,318 8/1997 Hollinger ..... D21/673
- D. 386,225 11/1997 Chen ..... D21/692

- D. 387,401 12/1997 Huang ..... D21/692
- 5,232,425 8/1993 Miller et al. .... 82/126
- 5,637,066 6/1997 Chang ..... 482/126
- 5,695,436 12/1997 Huang ..... 482/125

*Primary Examiner*—Philip S. Hyder  
*Attorney, Agent, or Firm*—Donald R. Bahr

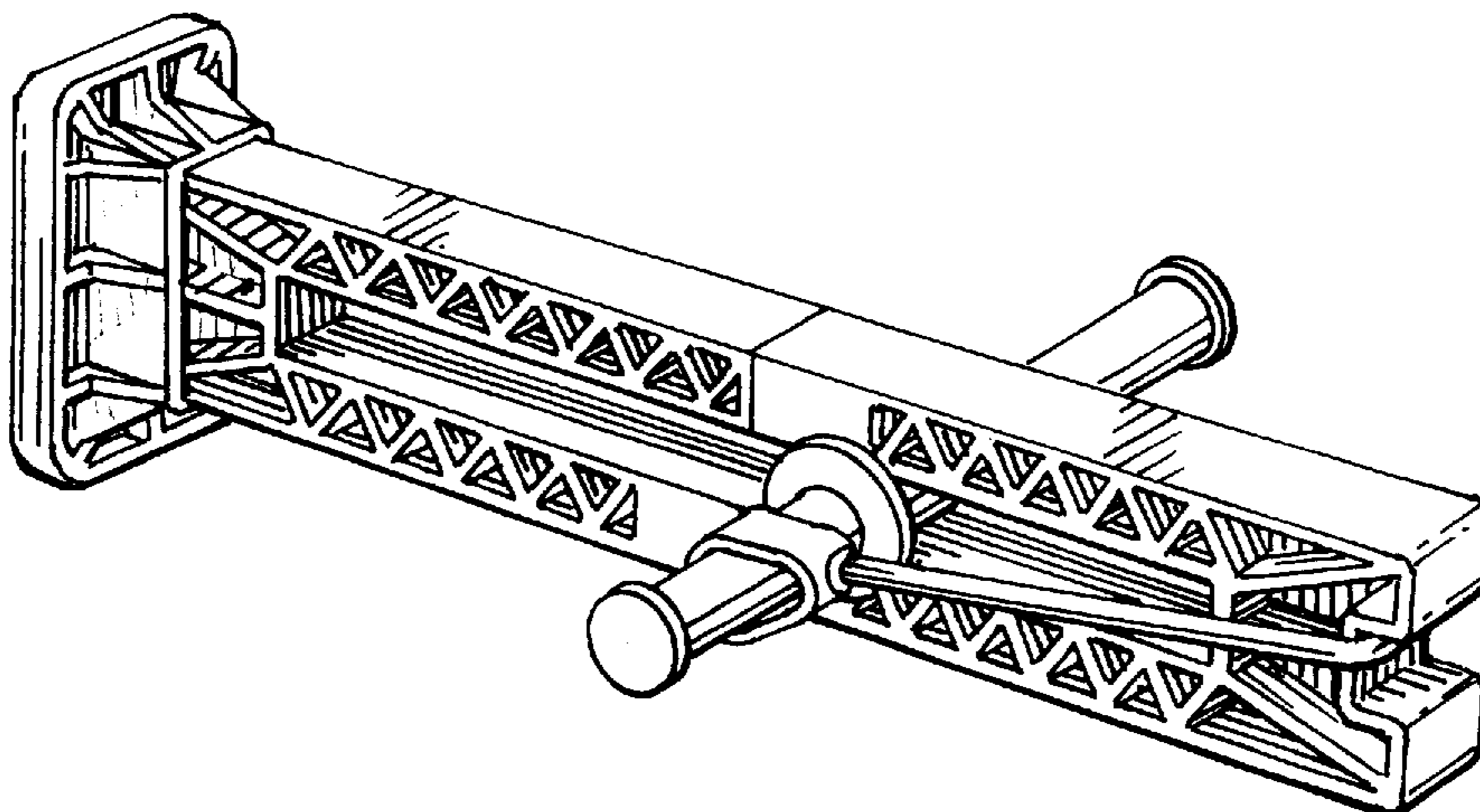
[57] **CLAIM**

The ornamental design for an exercise device, as shown and described.

**DESCRIPTION**

FIG. 1 is a top perspective view of an exercise device showing my new design;  
FIG. 2 is a top plan view thereof;  
FIG. 3 is a side view thereof;  
FIG. 4 is a front view thereof; and,  
FIG. 5 is a rear view thereof.

**1 Claim, 2 Drawing Sheets**



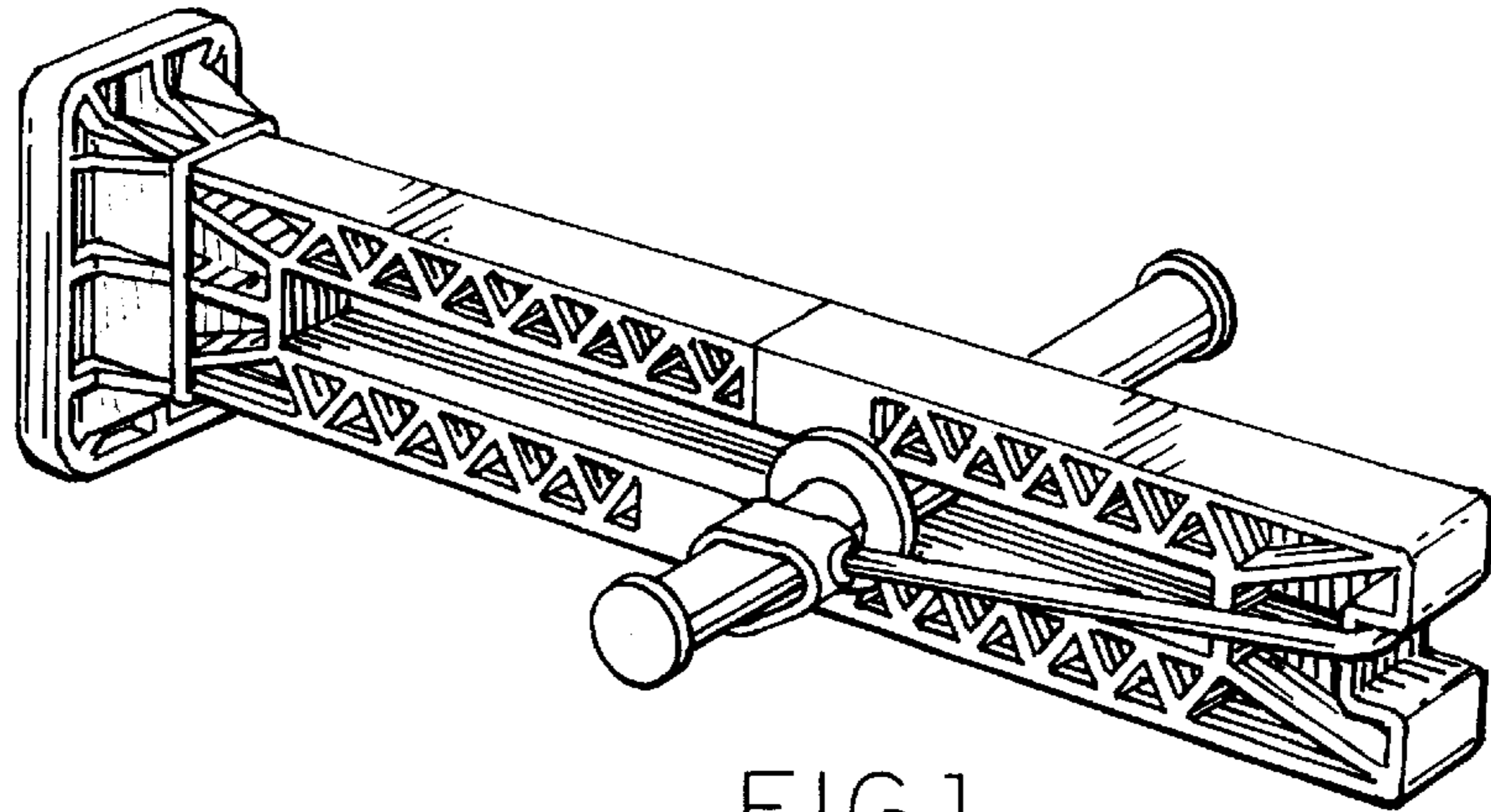


FIG.1

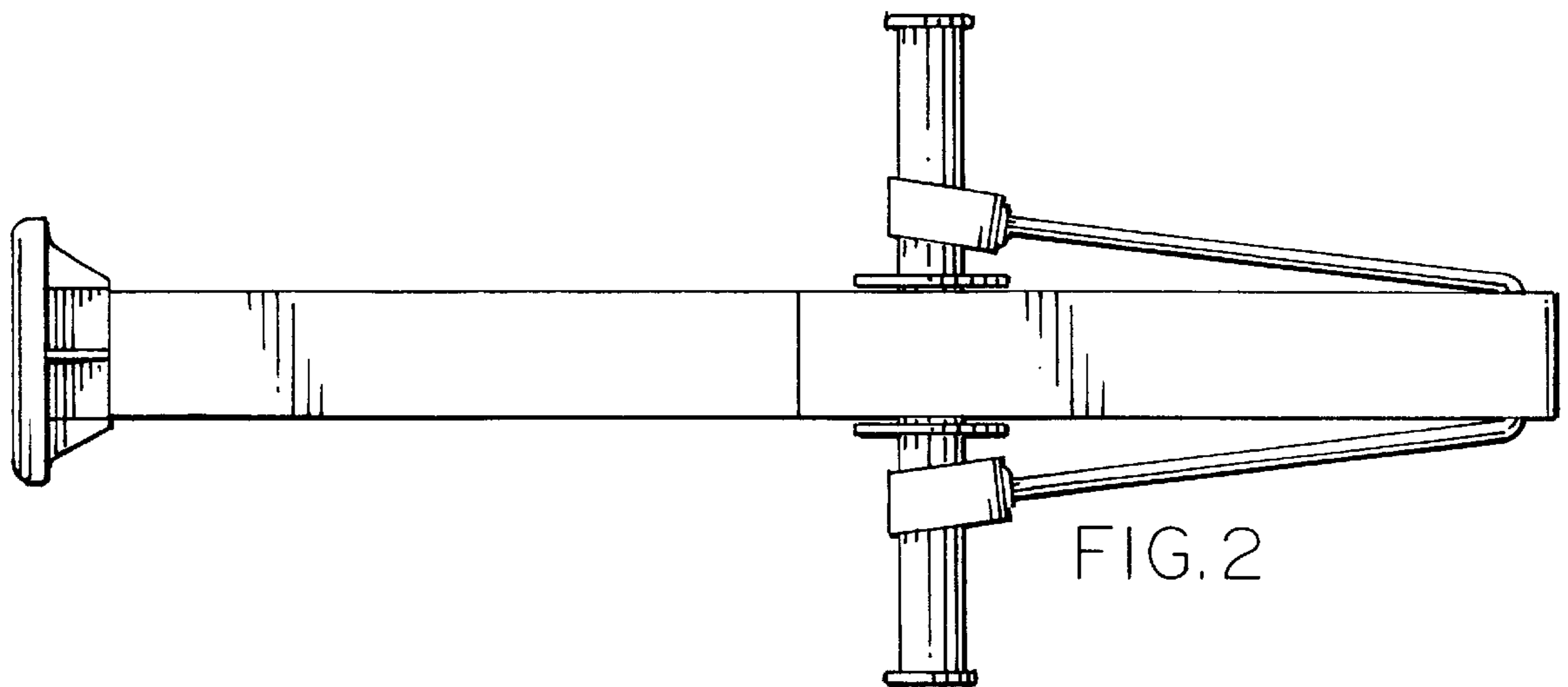


FIG.2

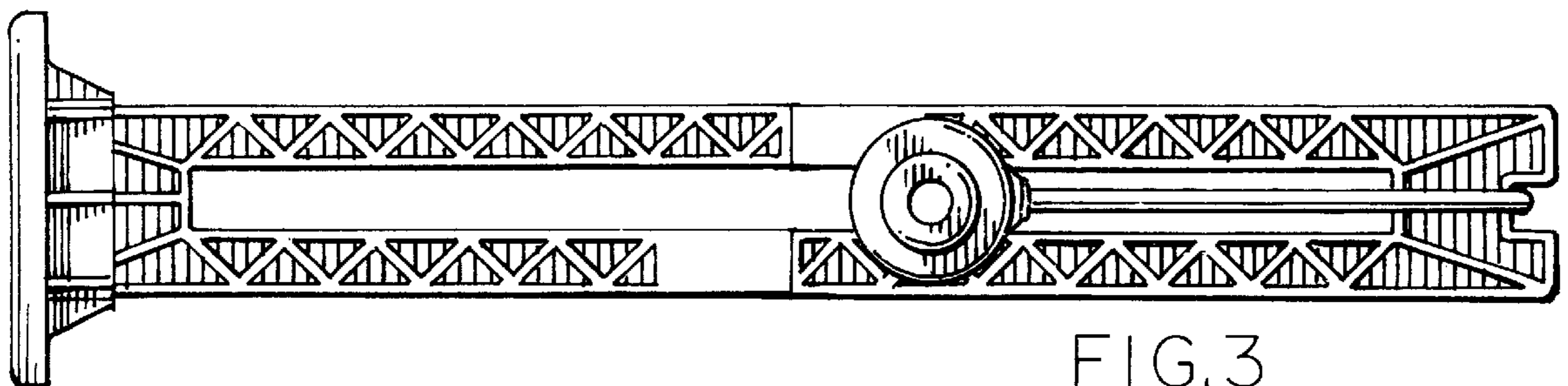


FIG.3

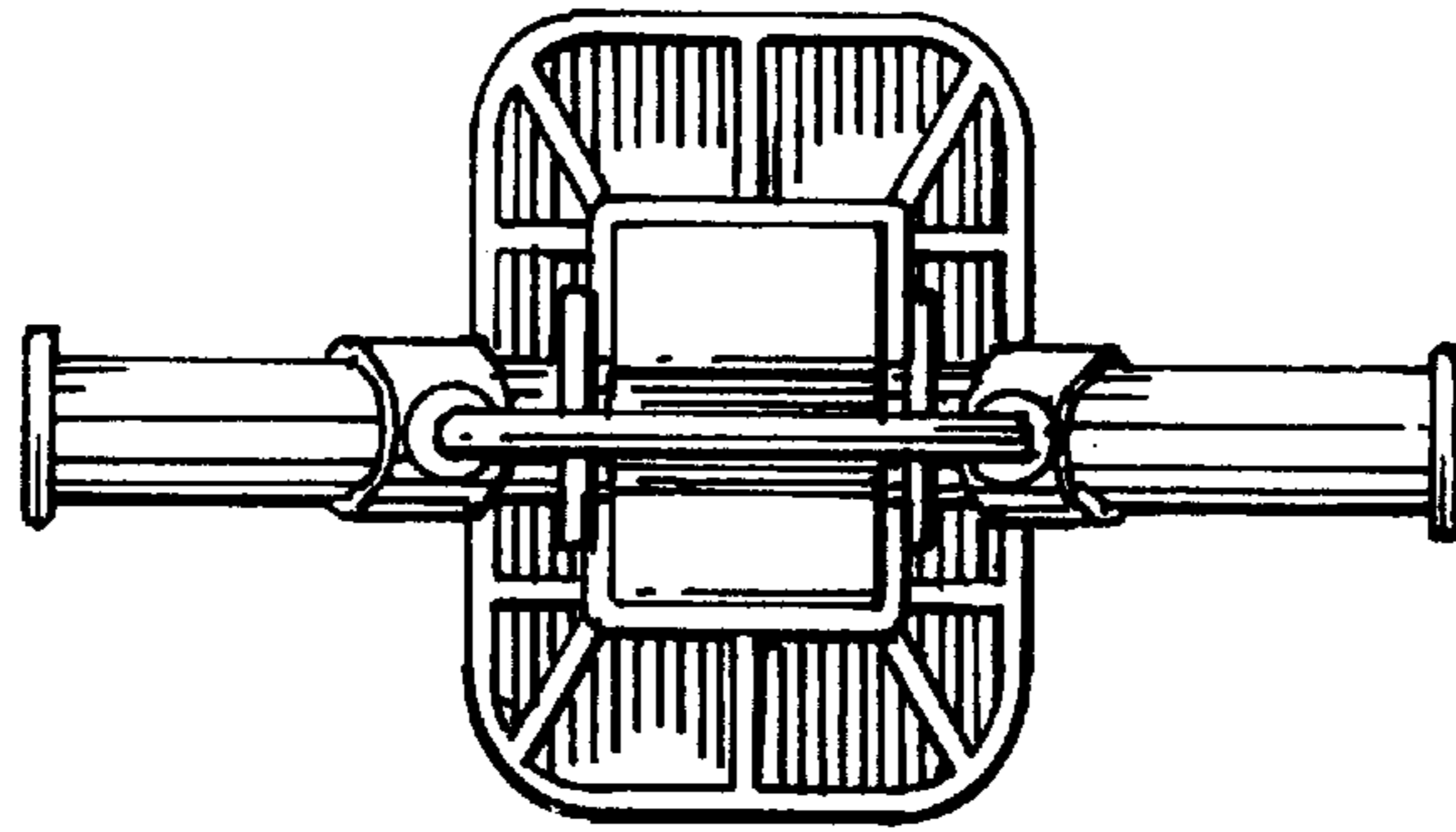


FIG.4

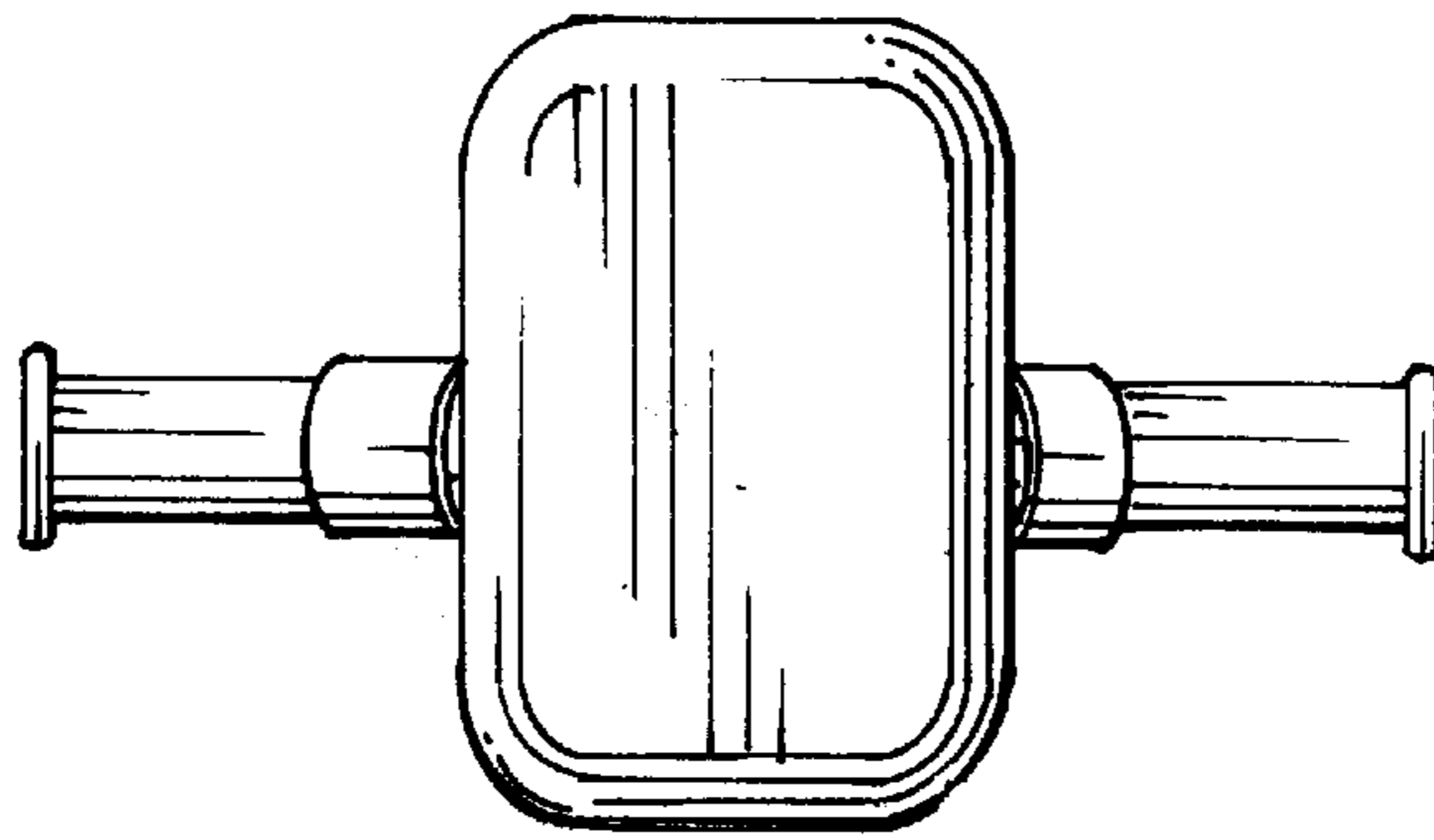


FIG.5