



US00D403162S

# United States Patent [19]

[11] **Patent Number: Des. 403,162**

**Williams**

[45] **Date of Patent: \*\*Dec. 29, 1998**

[54] **HARNESS FOR CARRYING A FIVE GALLON WATER BOTTLE**

3,807,679	4/1974	Burke et al.	.....	294/31.2 X
4,045,070	8/1977	Geisinger	.....	294/31.2
5,255,947	10/1993	Schwartz	.....	294/31.2
5,431,319	7/1995	Cavadini et al.	.....	224/250 X
5,445,425	8/1995	Lyver	.....	294/31.2
5,566,870	10/1996	Mejeur	.....	294/150 X

[76] Inventor: **Felix R. Williams**, 5055 Parkglen Ave., Los Angeles, Calif. 90043

[\*\*] Term: **14 Years**

[21] Appl. No.: **77,979**

[22] Filed: **Oct. 17, 1997**

*Primary Examiner*—Doris V. Coles  
*Assistant Examiner*—Catherine R. Oliver  
*Attorney, Agent, or Firm*—Monty Koslover Assoc.

### Related U.S. Application Data

[63] Continuation-in-part of Ser. No. 60,220, Sep. 24, 1996, abandoned.

[51] **LOC (6) Cl.** ..... **03-99**

[52] **U.S. Cl.** ..... **D3/327; D3/229**

[58] **Field of Search** ..... D3/229, 202, 315, D3/316, 327; D7/608, 619, 620, 622, 623; 224/148.1-148.5, 148.6, 250; 294/31.2, 137, 150, 149, 152, 153

### [57] CLAIM

I claim the ornamental design for a harness for carrying a five gallon water bottle.

### DESCRIPTION

FIG. 1 is a harness for carrying a five gallon water bottle showing my new design;

FIG. 2 is a side elevational view thereof; and,

FIG. 3 is a bottom plan view.

The broken line showing of a water bottle in FIG. 1 is for illustrative purposes only and forms no part of the claimed design.

### [56] References Cited

#### U.S. PATENT DOCUMENTS

3,482,867 12/1969 Allen ..... 294/31.2 X

**1 Claim, 2 Drawing Sheets**

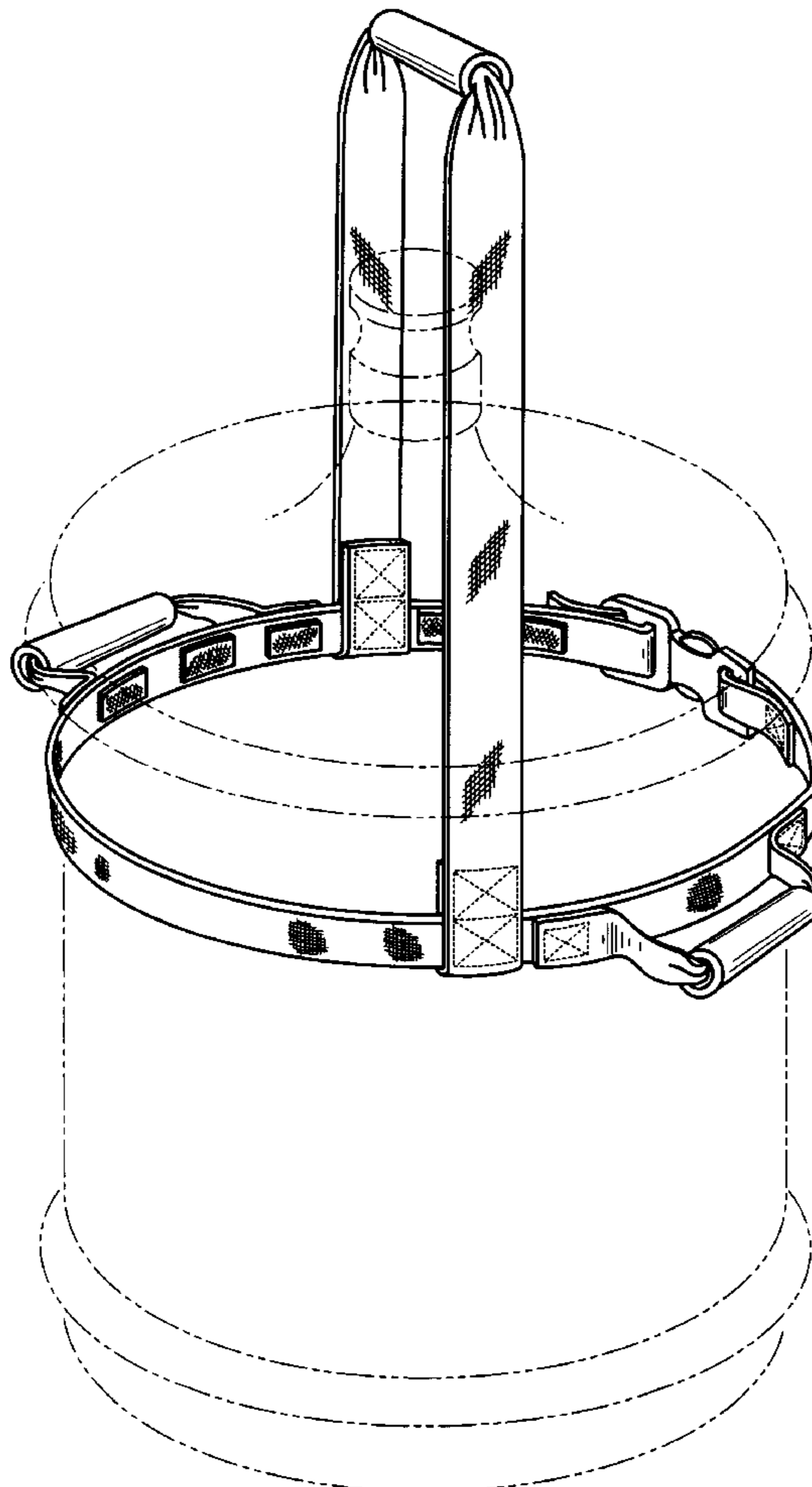


FIG. 1

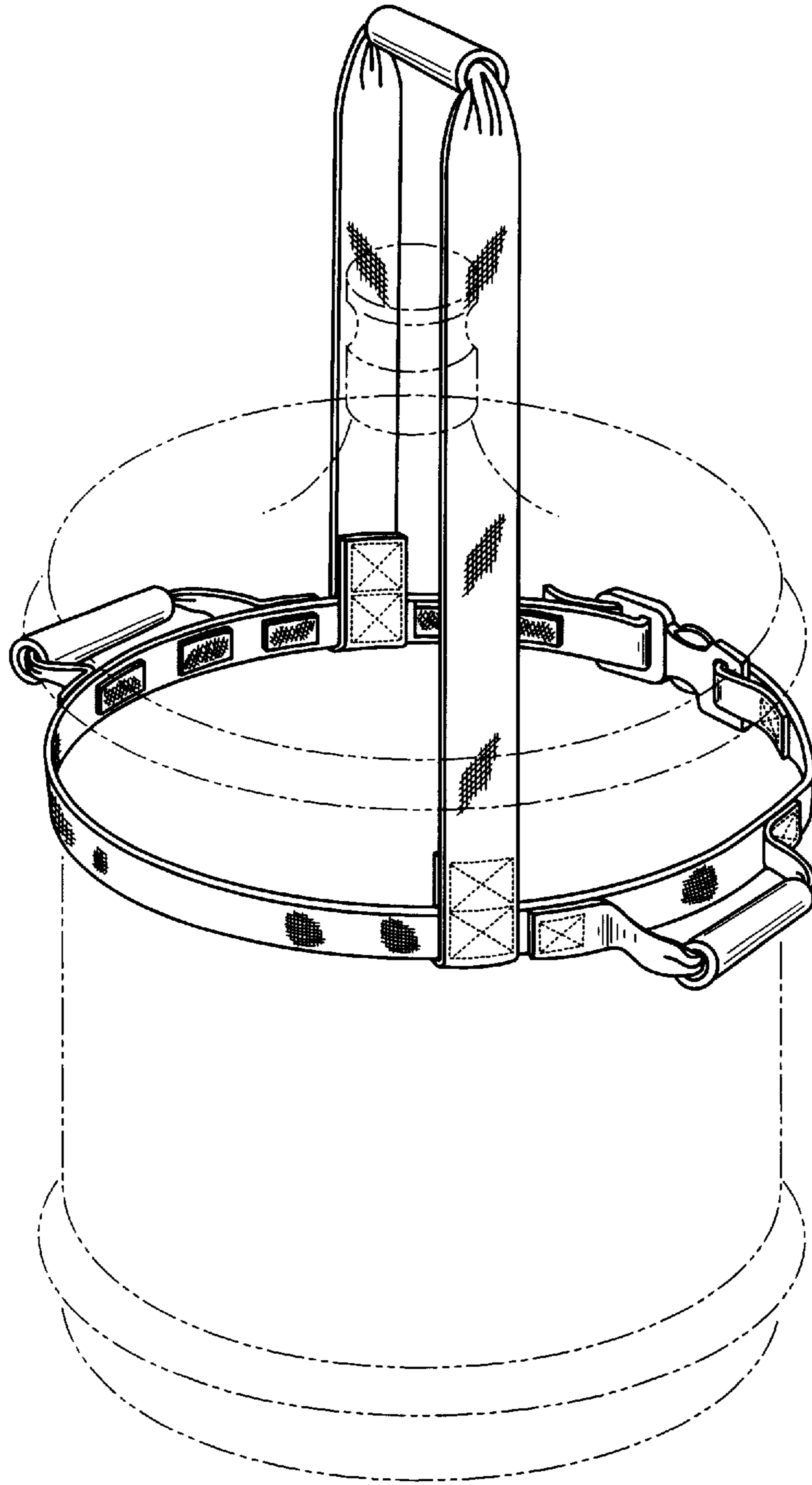


FIG. 2

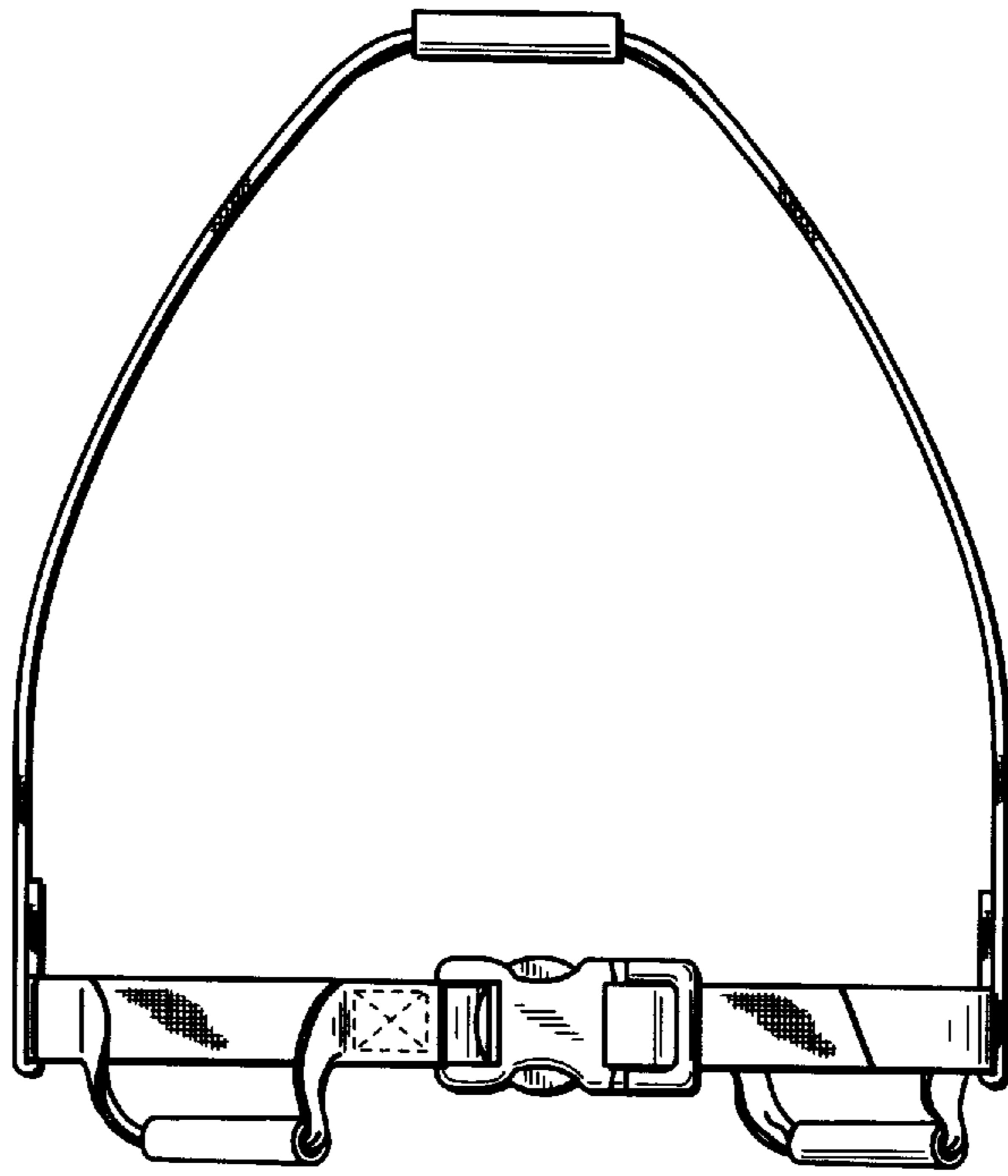


FIG. 3

