

US00D403161S

# United States Patent [19] Lin

[11] **Patent Number: Des. 403,161**

[45] **Date of Patent: \*\*Dec. 29, 1998**

[54] **STRAP LUG**

[75] Inventor: **Shin-Fu Eiken Lin**, Taipei, Taiwan

[73] Assignee: **Paragon Luggage, Inc.**, Tustin, Calif.

[\*\*] Term: **14 Years**

[21] Appl. No.: **81,792**

[22] Filed: **Jan. 9, 1998**

D. 361,665	8/1995	Izumi .....	D3/318
4,365,391	12/1982	Chapalain .....	24/197
4,791,709	12/1988	Fildan .....	24/197 X
4,843,689	7/1989	Fildan .....	24/68 E X
5,243,741	9/1993	Fudaki et al. ....	24/197 X
5,426,833	6/1995	Van Riesen .....	24/197 X
5,660,423	8/1997	Herman et al. ....	24/197 X

*Primary Examiner*—Prabhakar G. Deshmukh  
*Attorney, Agent, or Firm*—Jack A. Kanz

### Related U.S. Application Data

[62] Division of Ser. No. 70,876, Feb. 14, 1997, Pat. No. Des. 394,553.

[51] **LOC (6) Cl.** ..... **03-99**

[52] **U.S. Cl.** ..... **D3/318**

[58] **Field of Search** ..... D3/318, 327, 328, D3/213-217, 287; D2/624, 625, 620, 639, 640; D11/200; 24/197, 198, 68 E, 165, 163 R; 224/269, 651, 658, 659, 666, 458

### References Cited

#### U.S. PATENT DOCUMENTS

D. 301,215 5/1989 Crowle ..... D2/640 X

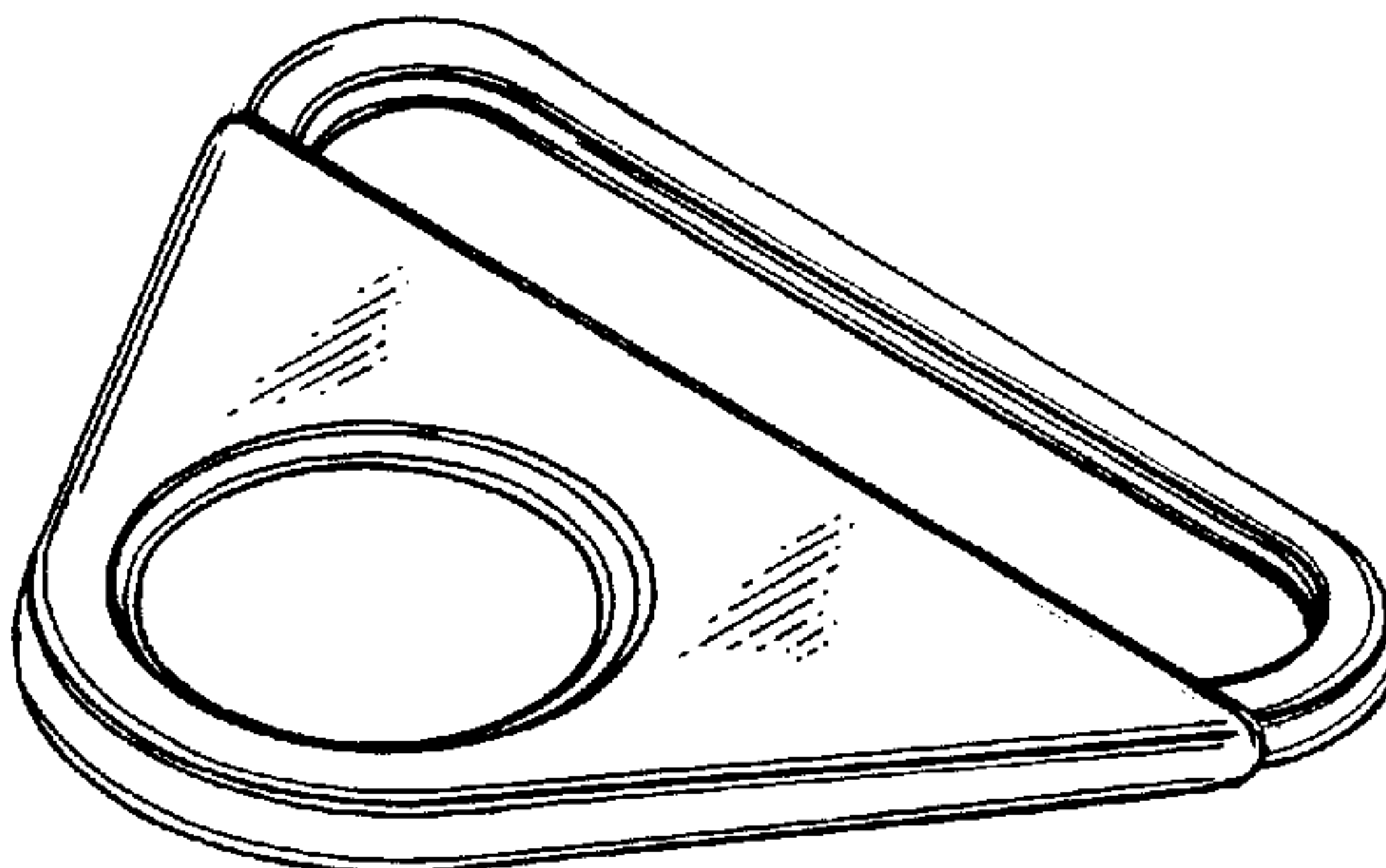
### [57] CLAIM

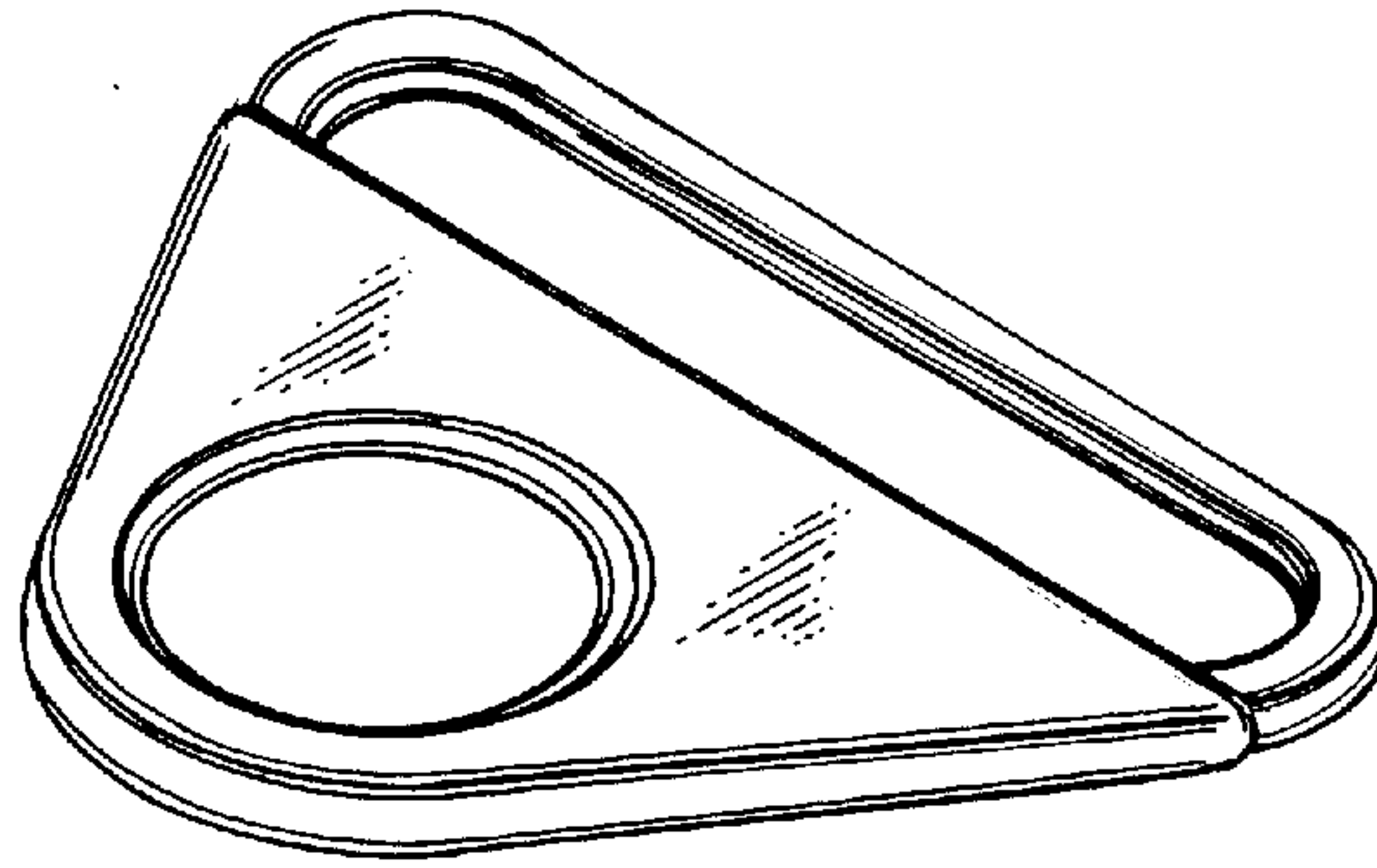
The ornamental design for a strap lug, as shown and described.

### DESCRIPTION

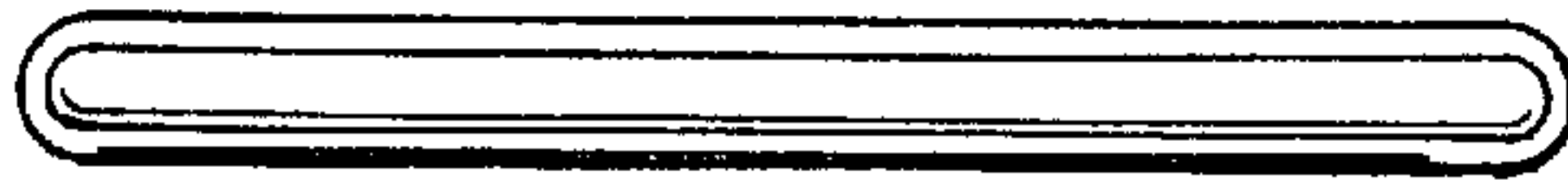
FIG. 1 is a front perspective view of a strap lug showing my new design;  
FIG. 2 is a top plan view thereof, the bottom plan view being a mirror image of the view of FIG. 2;  
FIG. 3 is a side edge view thereof; the other side edge view being a mirror image of the view of FIG. 3;  
FIG. 4 is a rear edge view thereof; and,  
FIG. 5 is a front edge view thereof.

**1 Claim, 1 Drawing Sheet**

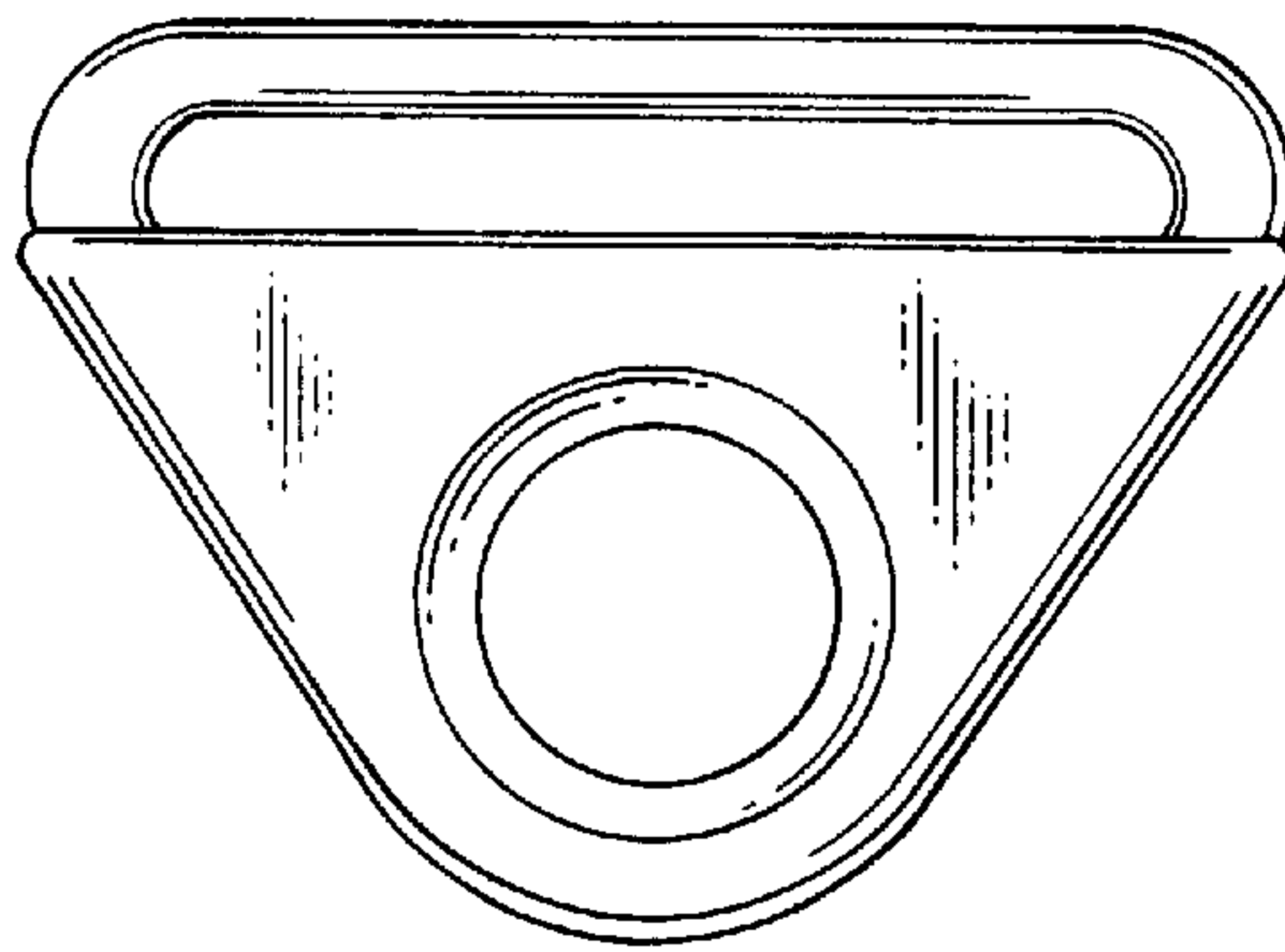




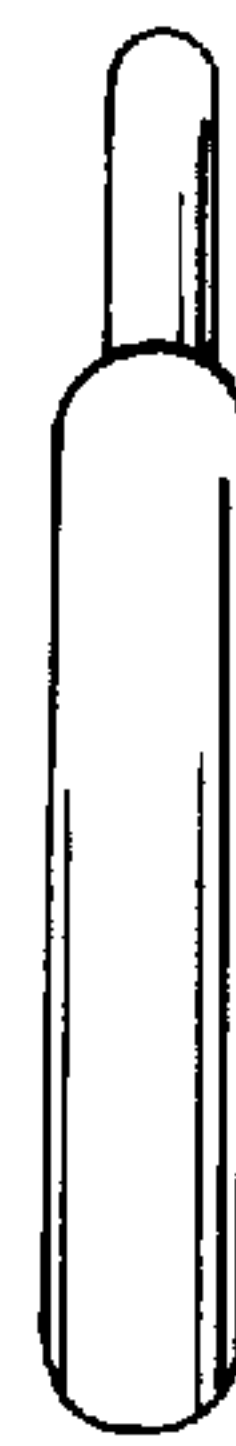
*Fig. 1*



*Fig. 4*



*Fig. 2*



*Fig. 3*



*Fig. 5*