



US00D403160S

United States Patent [19] Hill

[11] **Patent Number: Des. 403,160**

[45] **Date of Patent: **Dec. 29, 1998**

[54] **CARRIER FOR SEVERAL PAINT CANS**

[76] Inventor: **Curtis R. Hill**, 310 Petersburg Rd.,
Powhatan, Va. 23139

[**] Term: **14 Years**

[21] Appl. No.: **62,113**

[22] Filed: **Nov. 7, 1996**

[51] **LOC (6) Cl. 03-01**

[52] **U.S. Cl. D3/315**

[58] **Field of Search** D3/315, 304, 307,
D3/310, 313, 901, 905, 308, 306, 314;
220/500, 507, 515, 570; 217/7, 65, 125;
D32/53.1; 206/362, 209, 209.1, 229; 15/257.06,
257.05

[56] **References Cited**

U.S. PATENT DOCUMENTS

D. 316,171	4/1991	Chatham et al.	D3/304
D. 348,346	6/1994	Yoshikawa	D3/310
D. 358,484	5/1995	Cautereels et al.	D3/310
D. 361,664	8/1995	Brown	D3/315
D. 369,001	4/1996	Hedges	D32/53.1
3,200,983	8/1965	Walter	217/7
4,763,833	8/1988	Stoll	217/125 X

Primary Examiner—Doris V. Coles
Assistant Examiner—Catherine R. Oliver
Attorney, Agent, or Firm—Norman B. Rainer

[57] **CLAIM**

The ornamented design for a carrier for several paint cans, as shown and described.

DESCRIPTION

FIG. 1 is a front, top and left side perspective view of a first embodiment of the carrier for several paint cans showing my new design;

FIG. 2 is a left side view, with the right side view being a mirror image thereof;

FIG. 3 is a front elevational view thereof;

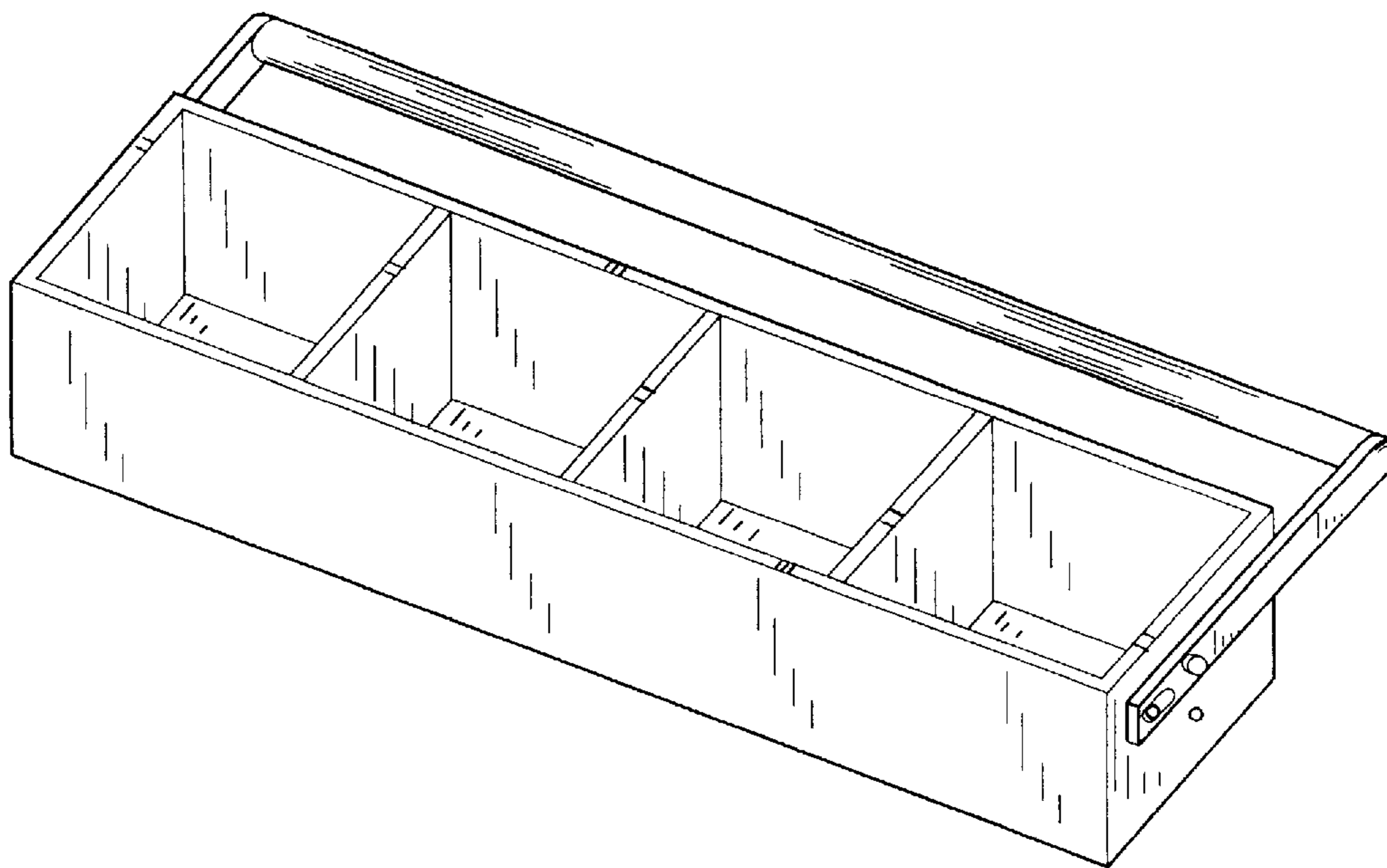
FIG. 4 is a top plan view thereof;

FIG. 5 is a front, top and left side perspective view of a second embodiment; and,

FIG. 6 is a front, top and left side perspective view of a third embodiment.

The second and third embodiments of claimed design are identical to the first embodiment with the only difference being the number of divider panels shown in the top view. The bottom view of said embodiments being plain and unornamented.

1 Claim, 2 Drawing Sheets



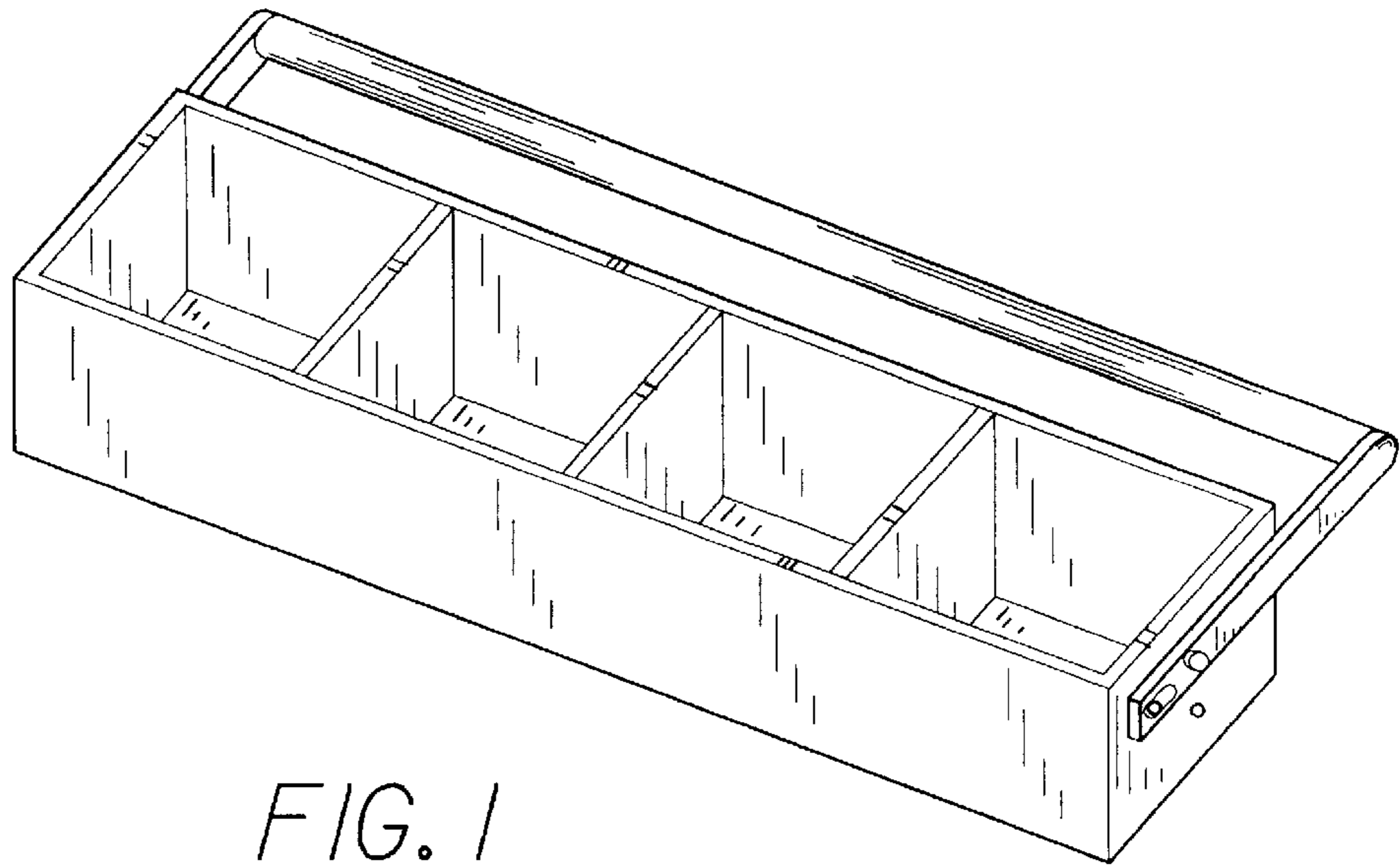


FIG. 1

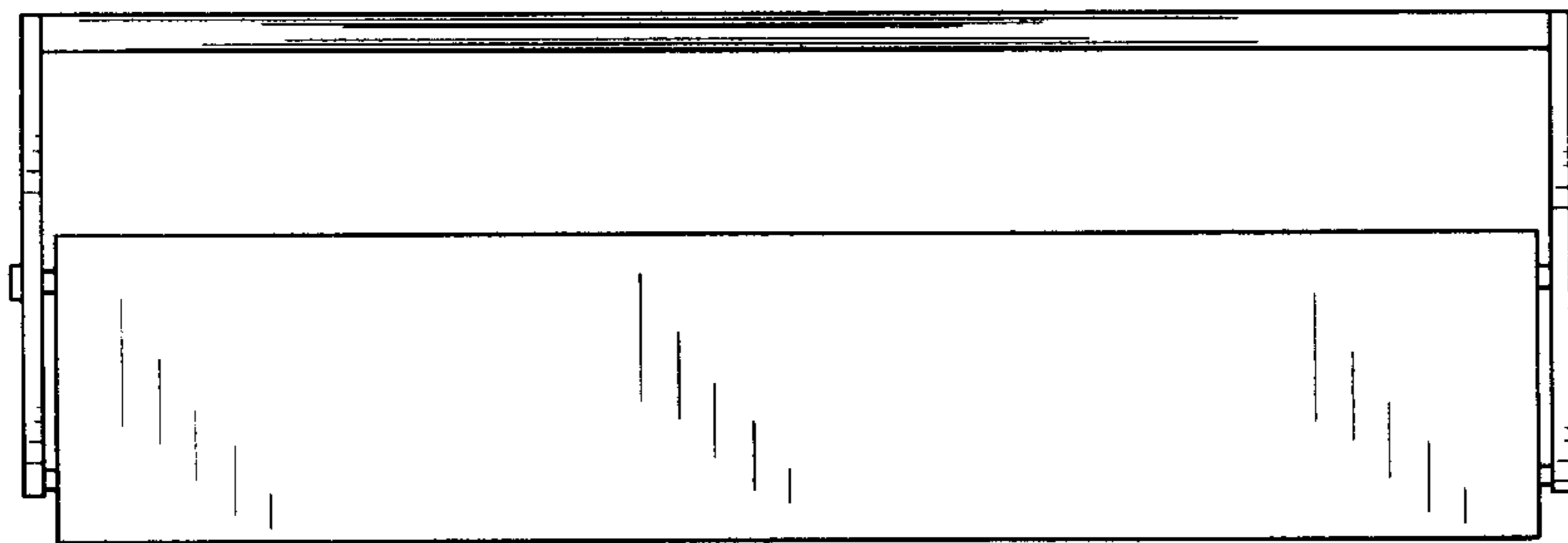


FIG. 3

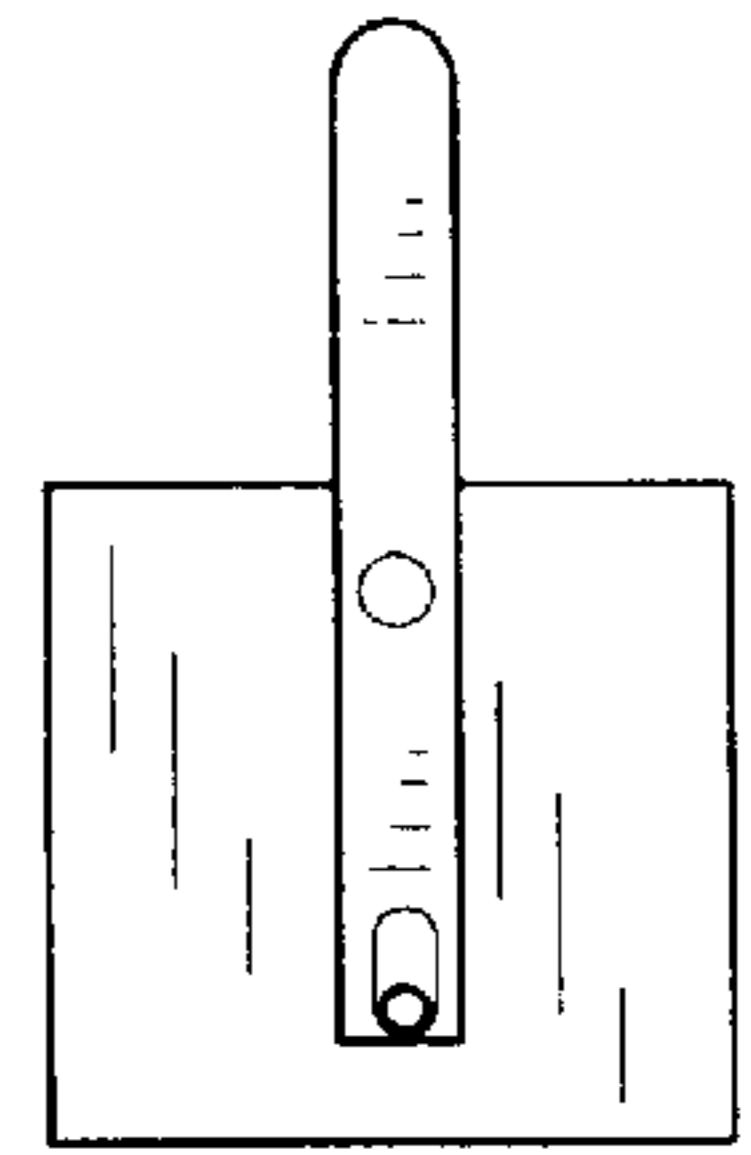


FIG. 2

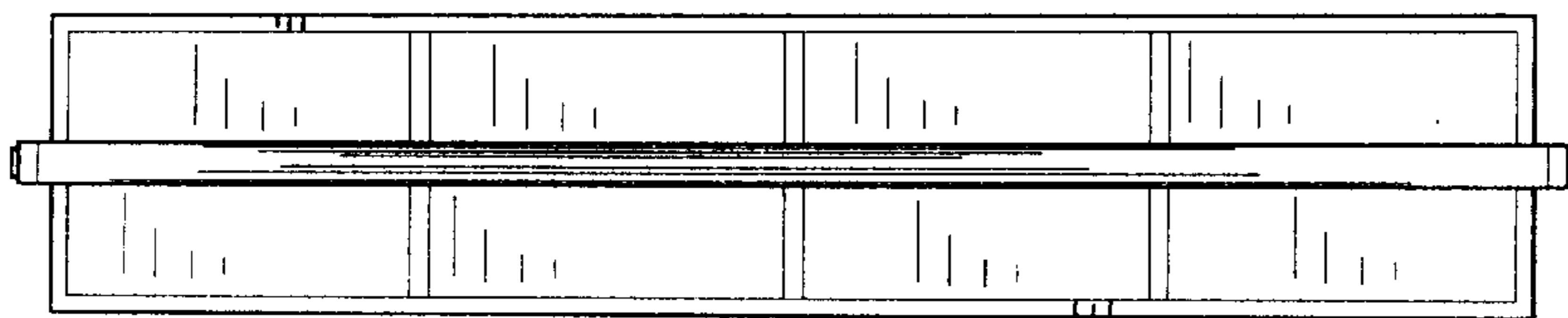


FIG. 4

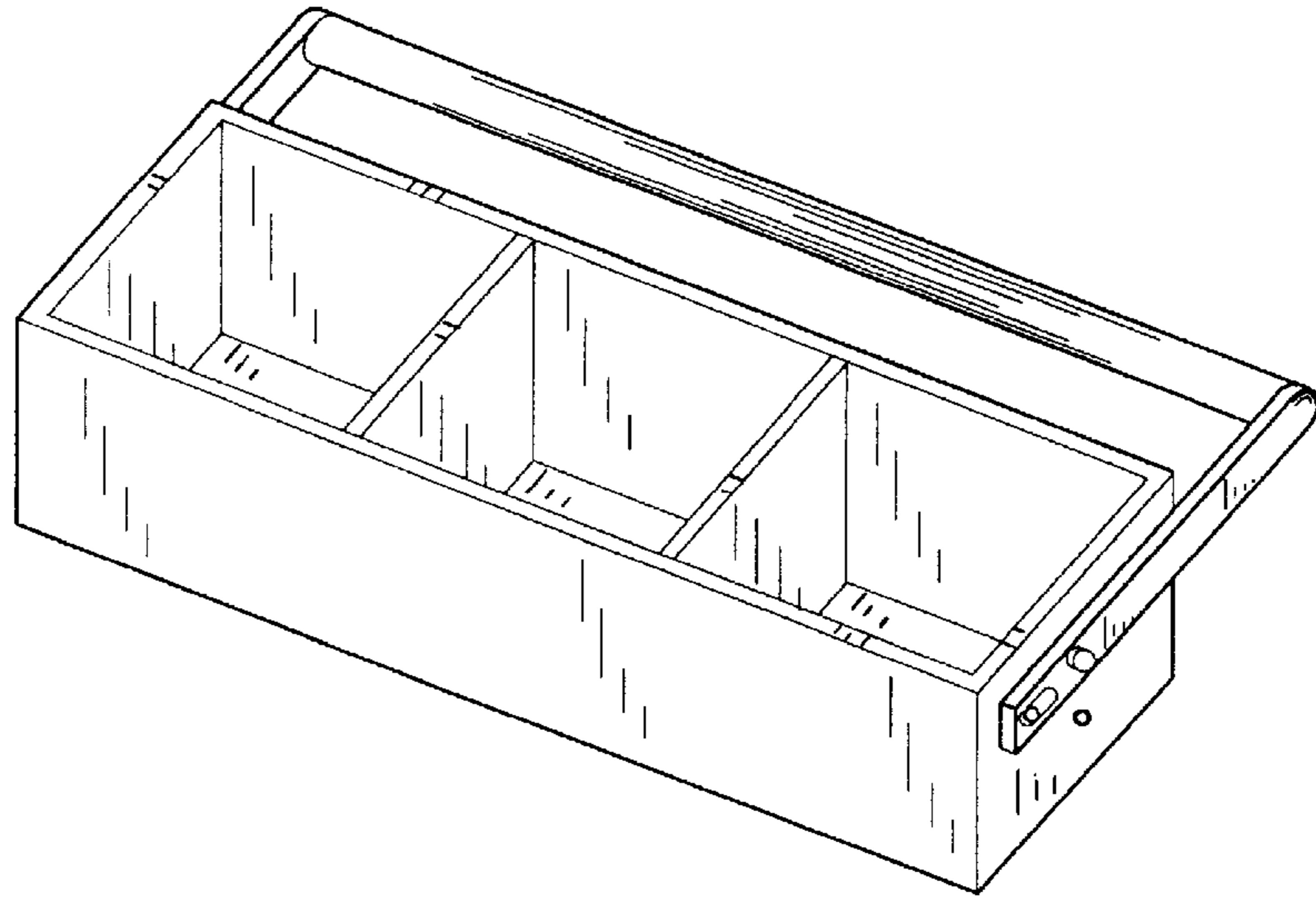


FIG. 5

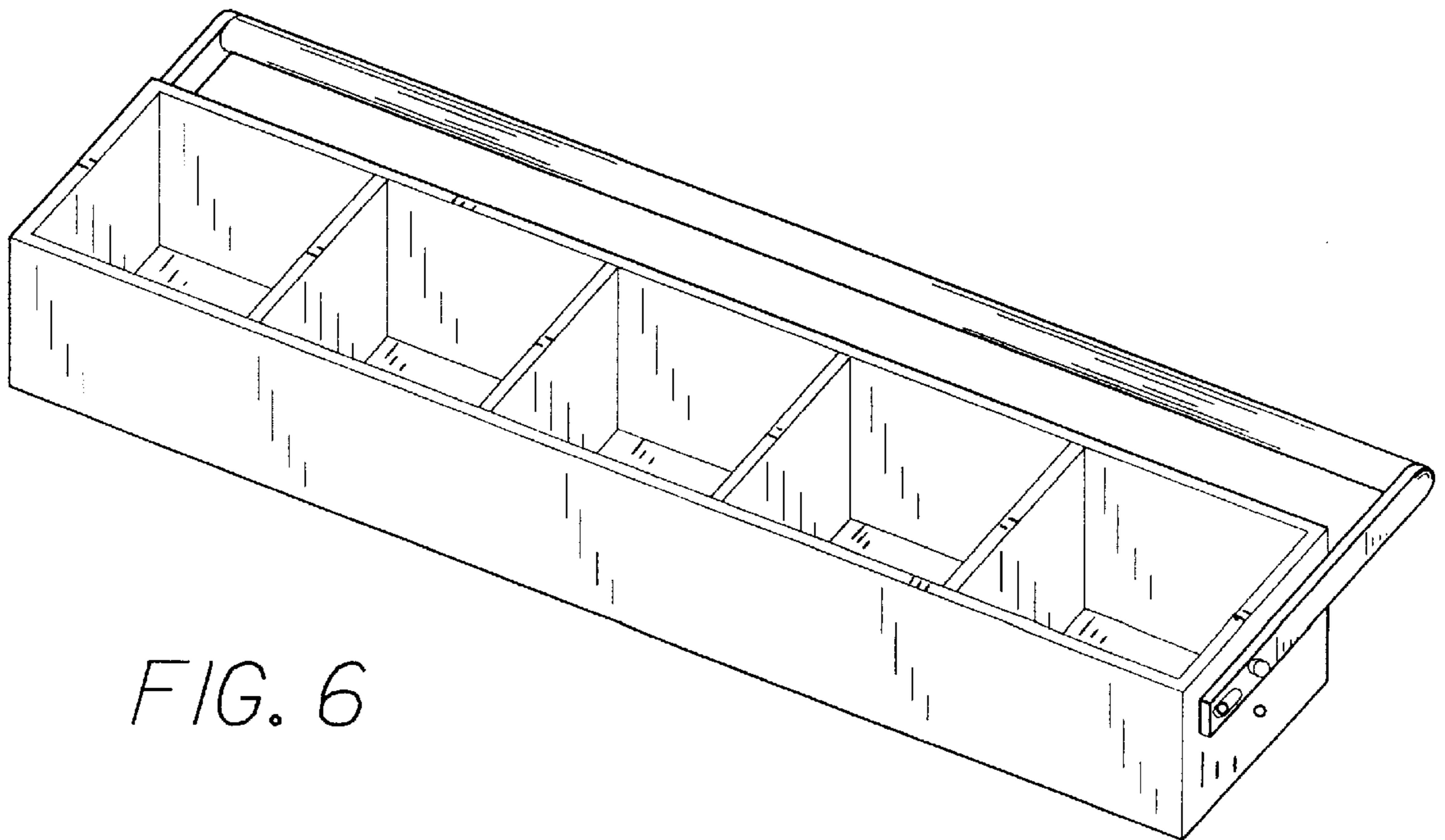


FIG. 6