



US00D403158S

United States Patent [19]

[11] **Patent Number: Des. 403,158**

Au

[45] **Date of Patent: **Dec. 29, 1998**

[54] **CONTAINER FOR JEWELRY, WATCHES,
AND GLASSES**

D. 259,596	6/1981	Gray	D3/294
D. 360,525	7/1995	Entwistle	D3/273
D. 365,206	12/1995	Goodman	D3/273
D. 380,900	7/1997	Pearson et al.	D3/294

[76] Inventor: **Ho Ching Au**, Blk. A, 9/F., Goodview Ind. Bldg., 11 Kin Fat St., Tuen Mun, N.T., Hong Kong

Primary Examiner—Philip Hyder
Attorney, Agent, or Firm—David & Raymond; Raymond Y. Chan

[**] Term: **14 Years**

[57] **CLAIM**

[21] Appl. No.: **82,293**

The ornamental design for a container for jewelry, watches, and glasses, as shown.

[22] Filed: **Jan. 20, 1998**

DESCRIPTION

[51] **LOC (6) Cl.** **03-01**

[52] **U.S. Cl.** **D3/294; D3/273; D9/423**

[58] **Field of Search** D3/273, 274, 294, D3/901; D9/420, 423, 424; 206/581, 566, 235, 305, 314, 351; 220/524, 525, 554

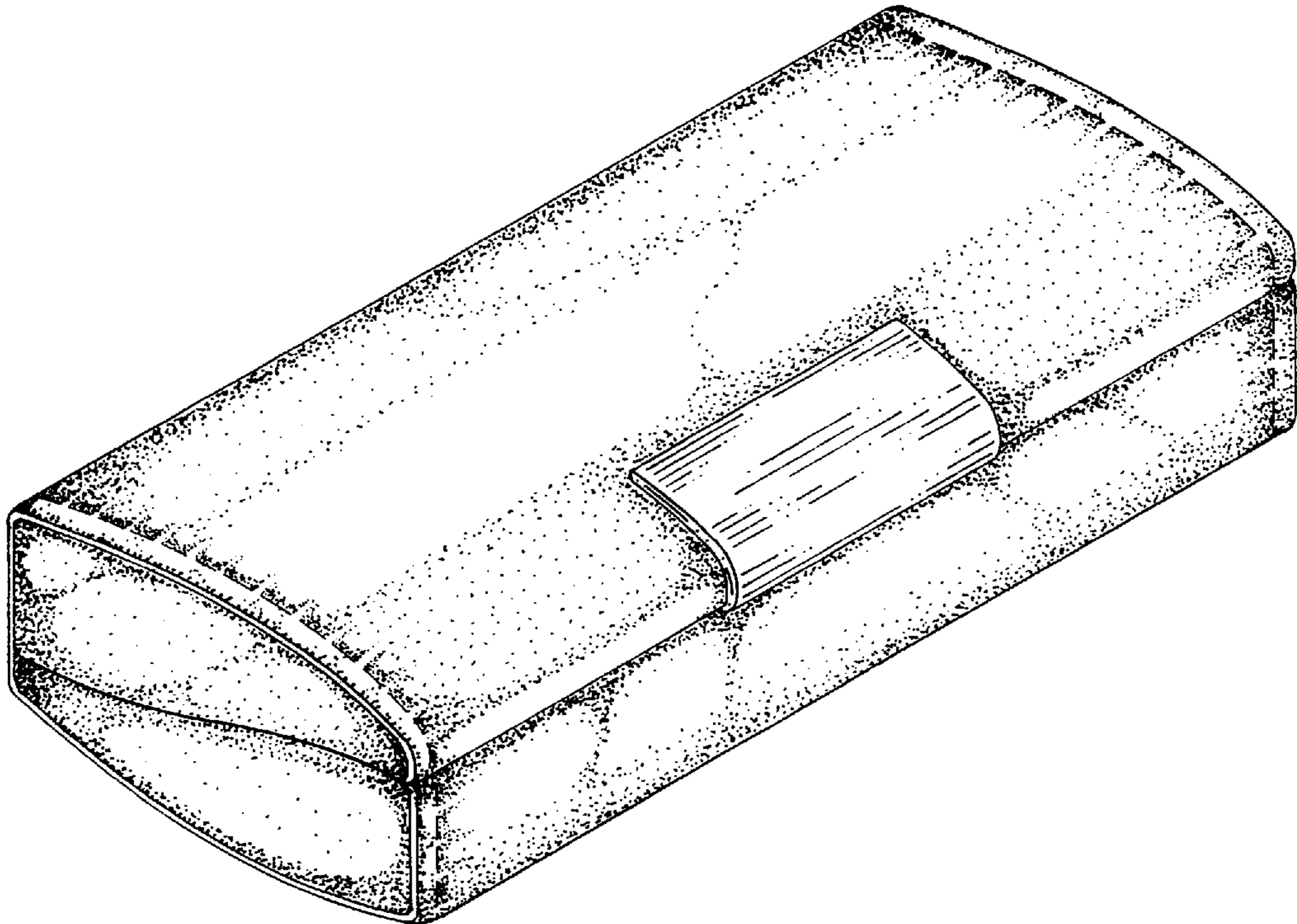
FIG. 1 is a perspective view showing my new design; FIG. 2 is a front view thereof; FIG. 3 is a left end view thereof; FIG. 4 is a right end view thereof; FIG. 5 is a top view thereof; FIG. 6 is a bottom view thereof; FIG. 7 is a rear view thereof; and, FIG. 8 is a perspective view thereof, shown in an open position.

[56] **References Cited**

U.S. PATENT DOCUMENTS

D. 178,627	9/1956	Baratelli	D3/294
D. 181,546	11/1957	Paxton	D9/420
D. 198,946	8/1964	Braun	D9/420
D. 198,947	8/1964	Braun	D9/420

1 Claim, 8 Drawing Sheets



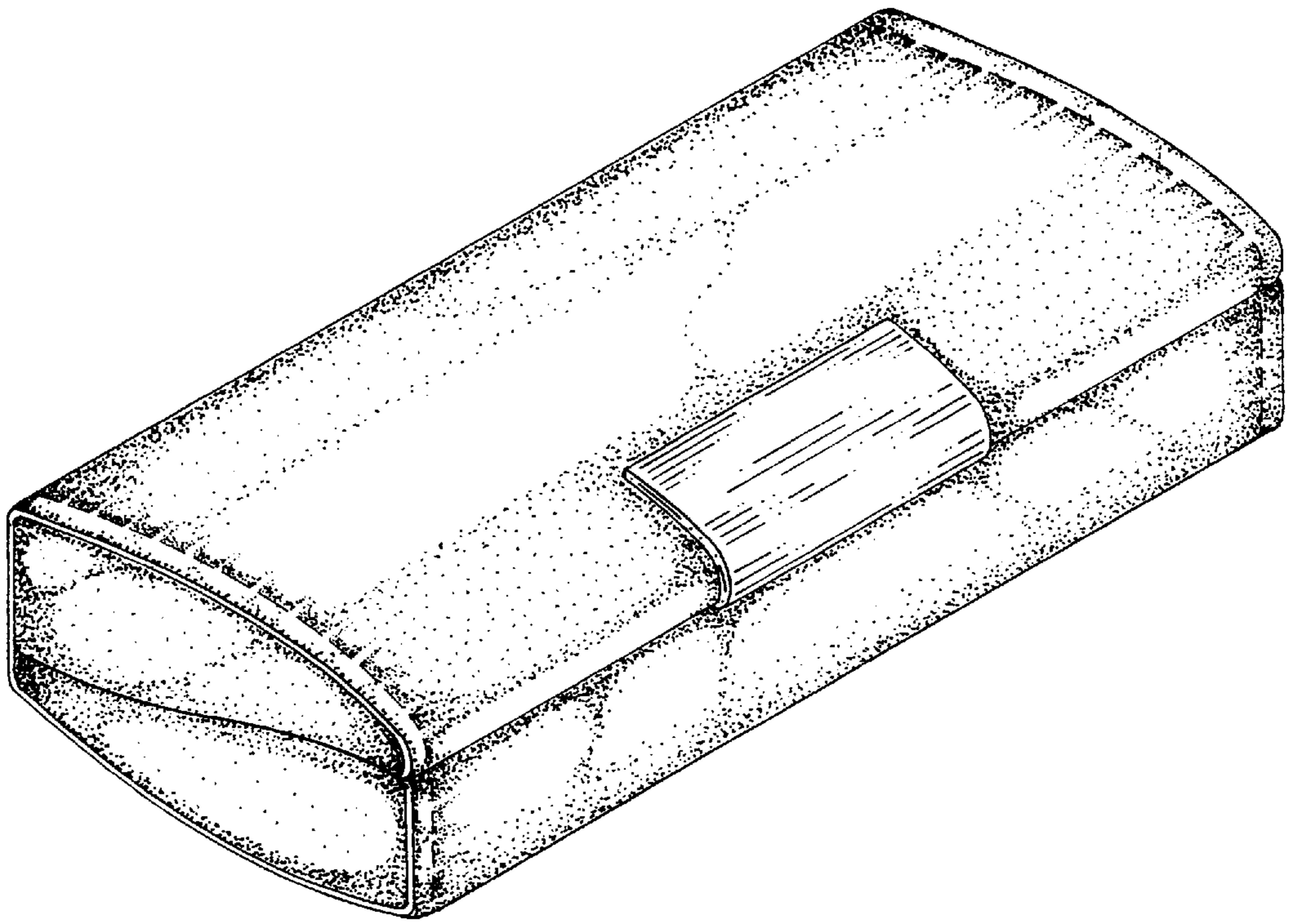


FIG. 1

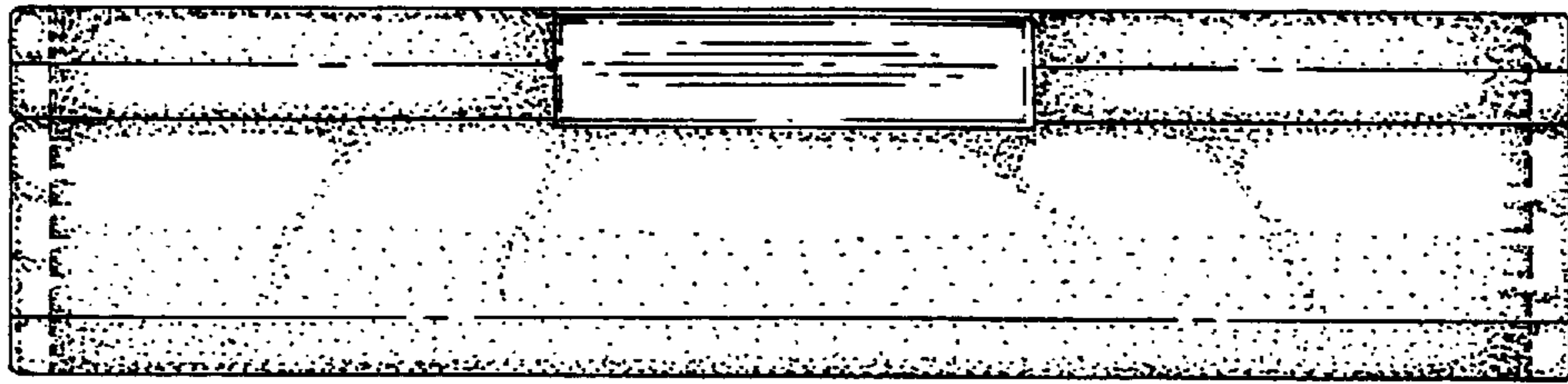


FIG. 2

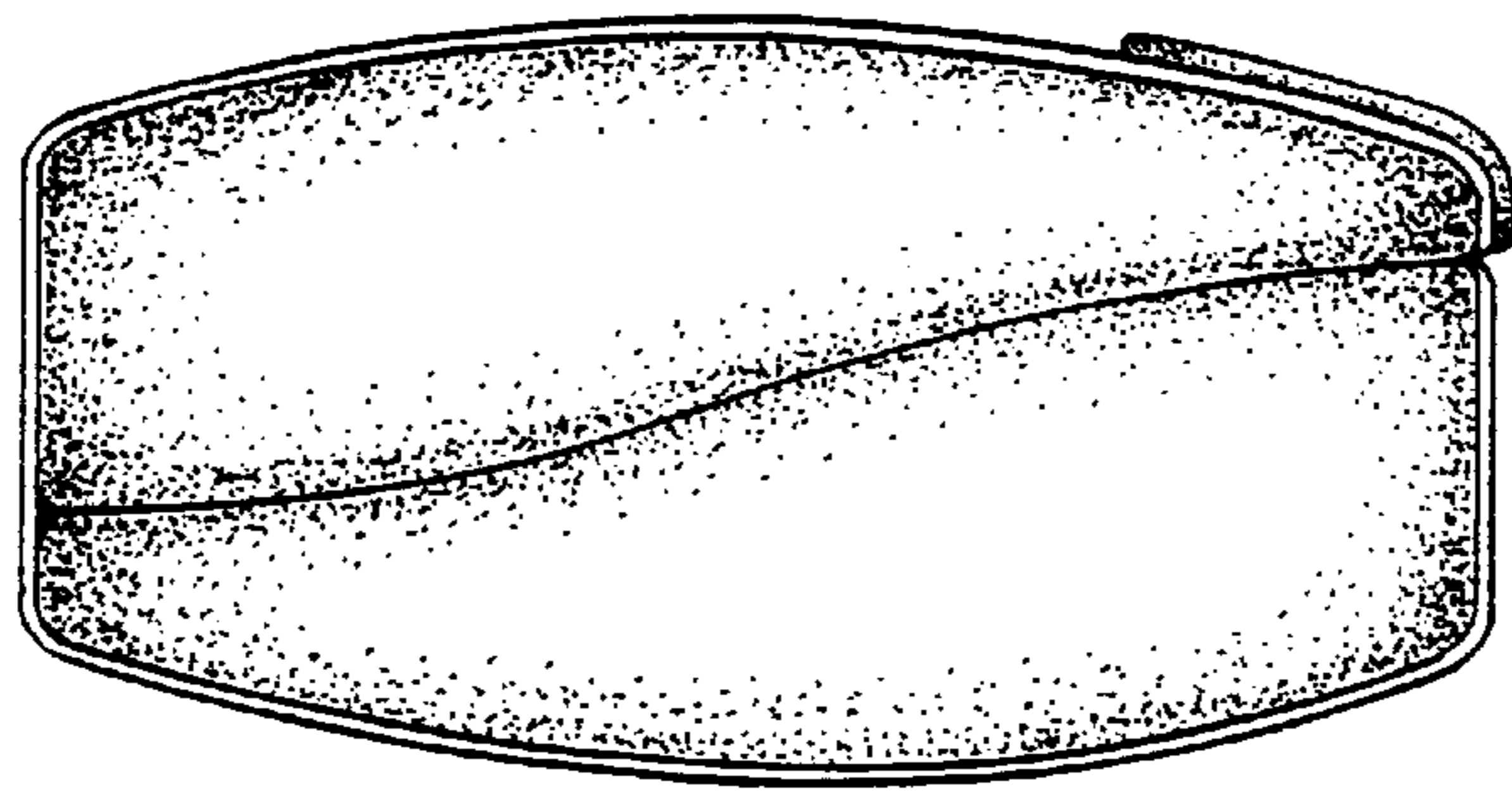


FIG. 3

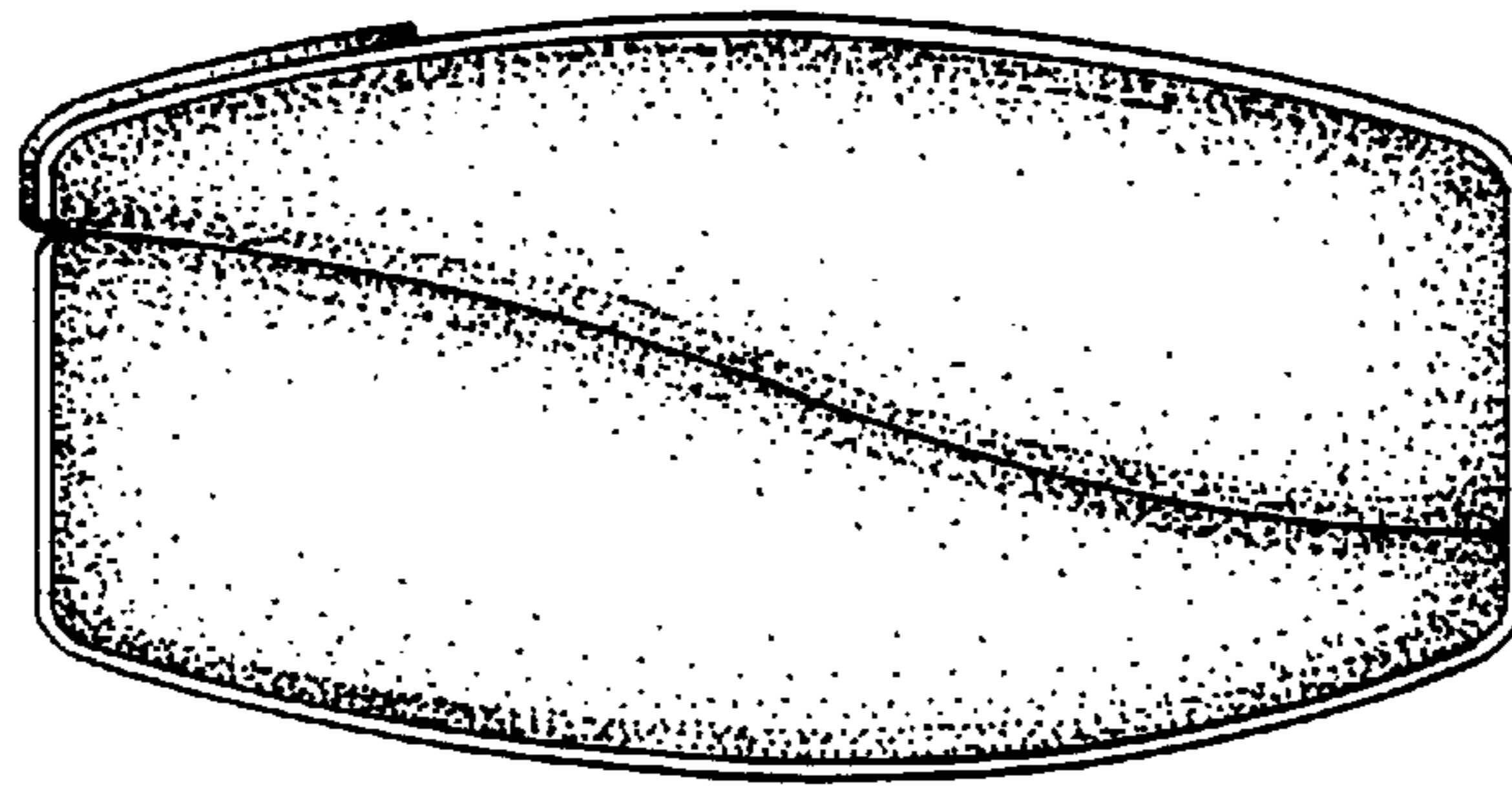


FIG. 4

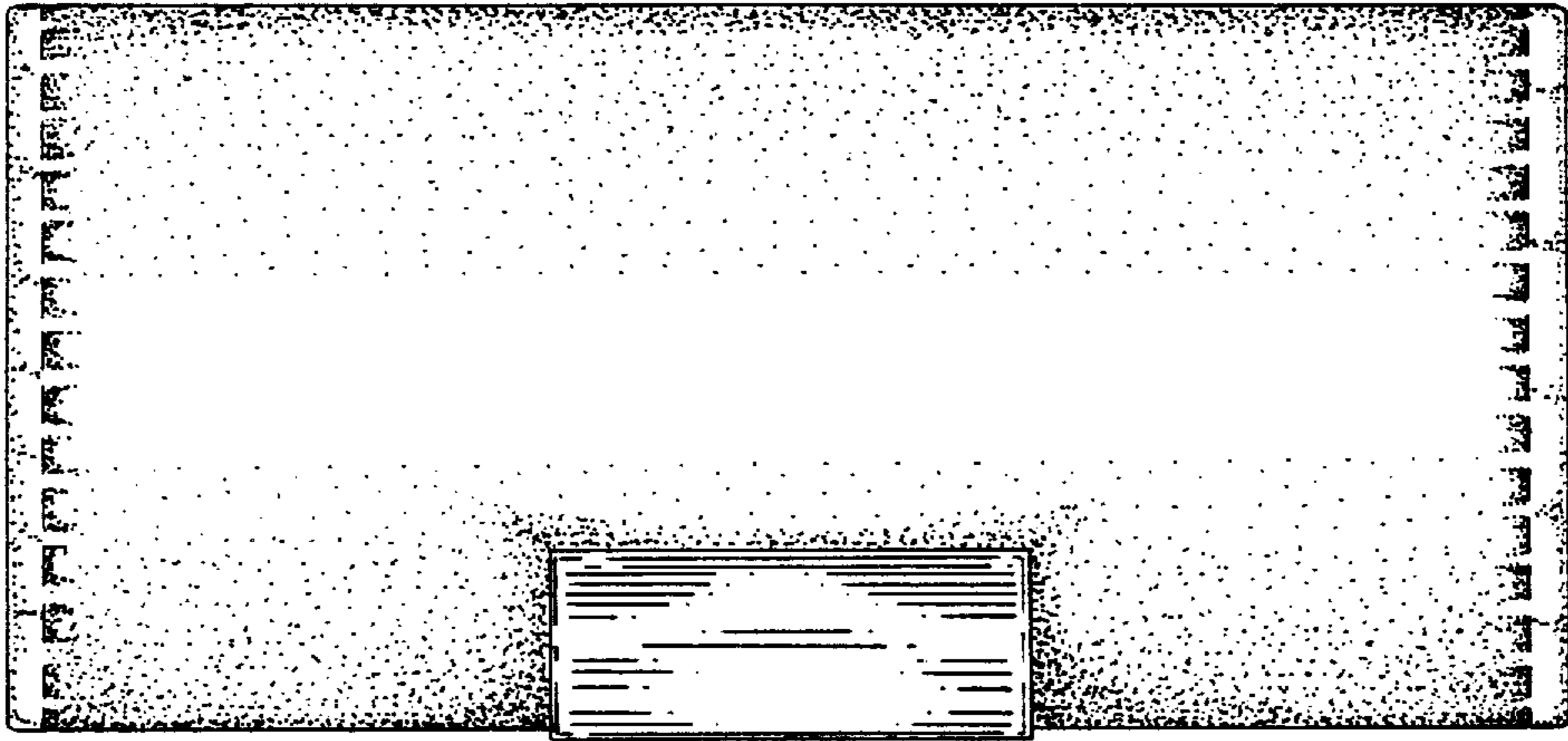


FIG. 5

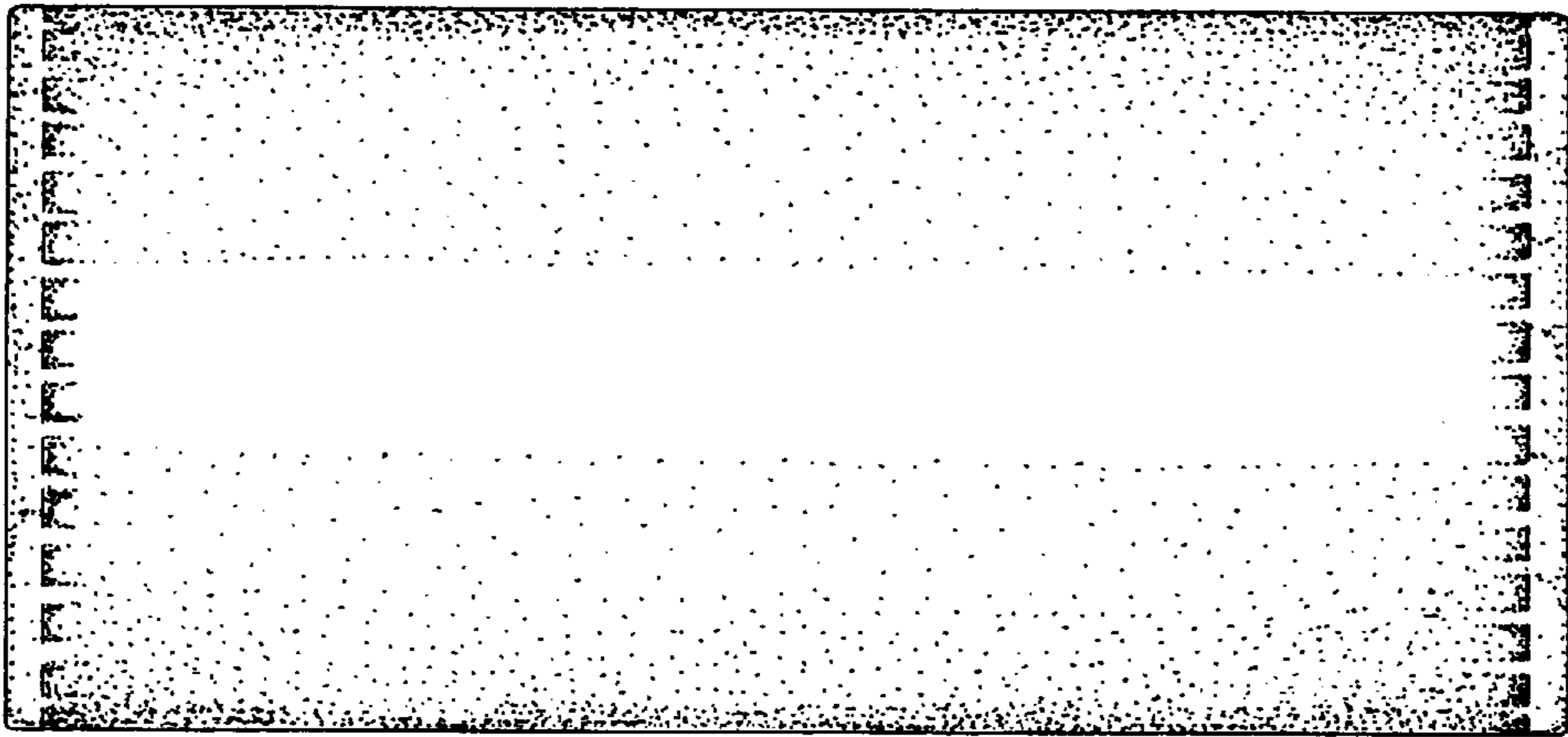


FIG. 6

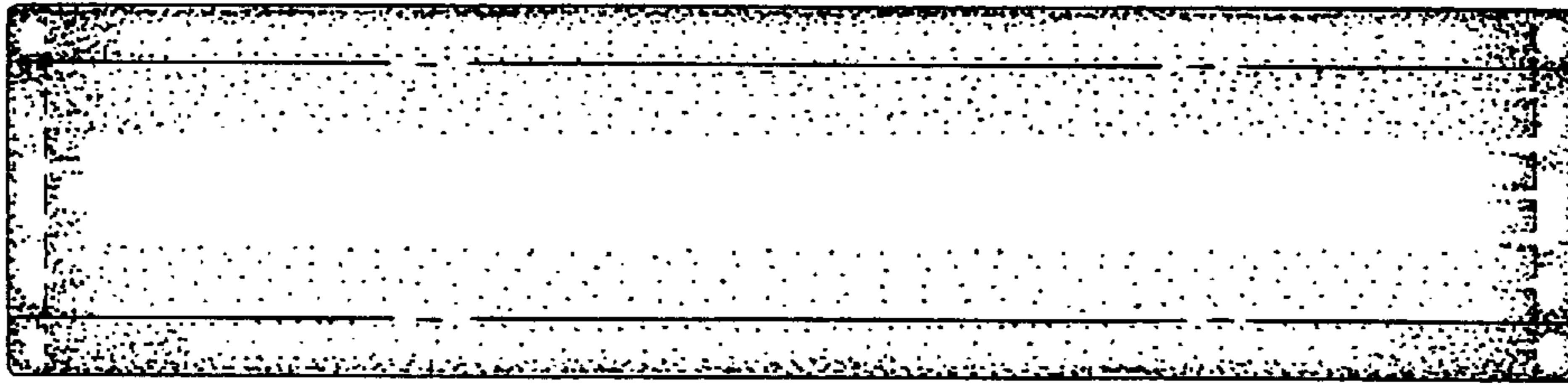


FIG. 7

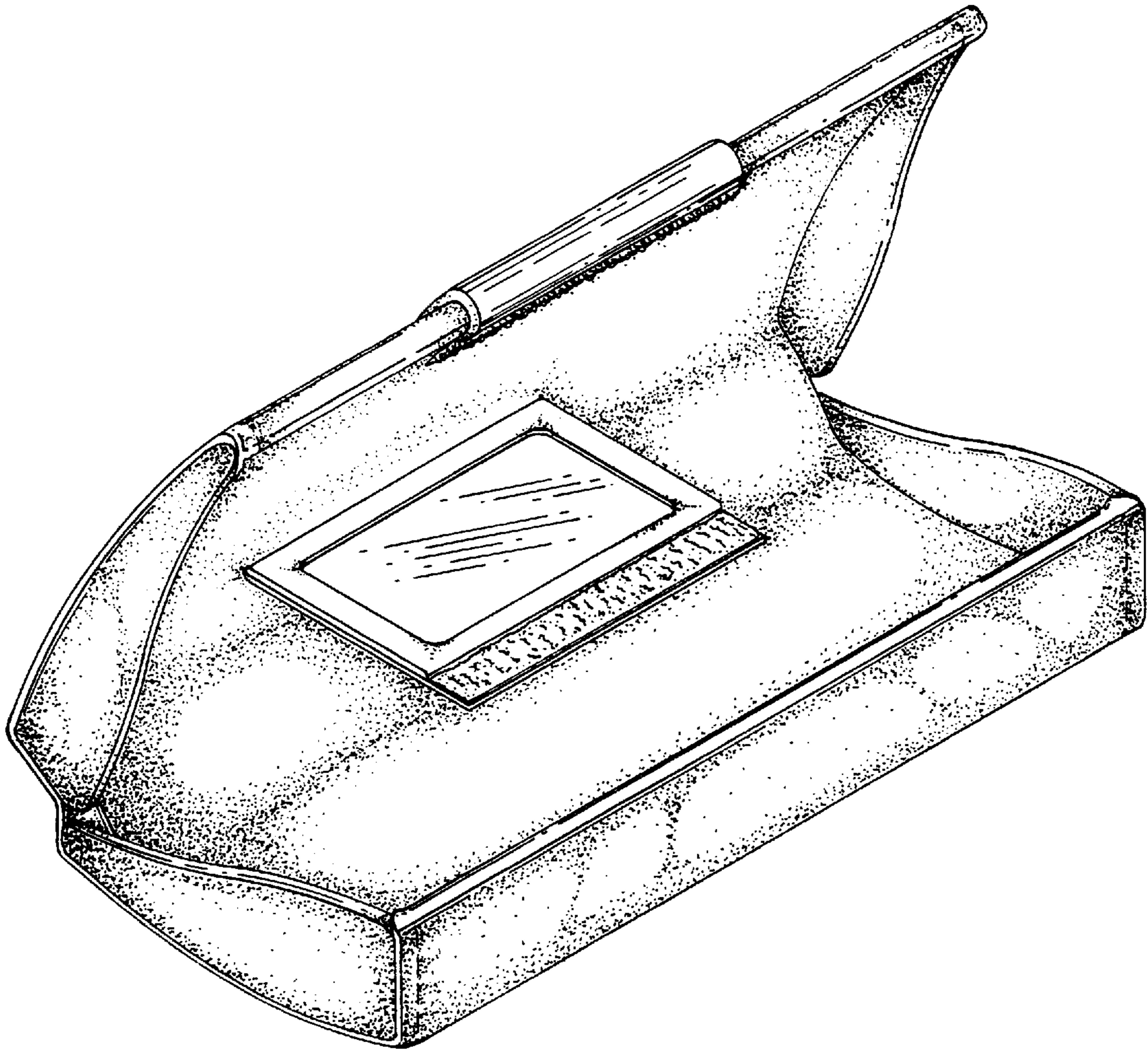


FIG. 8