



US00D403141S

# United States Patent [19]

De Lozada et al.

[11] Patent Number: **Des. 403,141**

[45] Date of Patent: **\*\*Dec. 29, 1998**

[54] **SUNSHINE HAT**

[76] Inventors: **Rudy De Lozada; Sylvie Hernandez,**  
both of 1437 Clement St., San  
Francisco, Calif. 94118

[\*\*] Term: **14 Years**

[21] Appl. No.: **78,588**

[22] Filed: **Oct. 28, 1997**

[51] **LOC (6) Cl.** ..... **02-03**

[52] **U.S. Cl.** ..... **D2/875**

[58] **Field of Search** ..... D2/865, 866, 875,  
D2/876; 2/12, 171, 171.03, 183, 195.1,  
195.6, 195.7, 200.3, 200.2

[56] **References Cited**

**U.S. PATENT DOCUMENTS**

D. 232,668	9/1974	De Monbrun	.....	D2/875
D. 267,364	12/1982	De Lozada	.....	D2/876
D. 271,538	11/1983	De Lozada	.....	D2/875
D. 271,629	12/1983	De Lozada	.....	D2/875

D. 271,630	12/1983	De Lozada	.....	D2/875
D. 271,631	12/1983	De Lozada	.....	D2/876
D. 271,632	12/1983	De Lozada	.....	D2/876
D. 282,404	2/1986	De Lozada	.....	D2/876
D. 282,405	2/1986	De Lozada	.....	D2/876 X
4,335,471	6/1982	Quigley, Jr. et al.	.....	2/200.2

*Primary Examiner*—Paula A. Mortimer  
*Attorney, Agent, or Firm*—Thomas R. Lampe

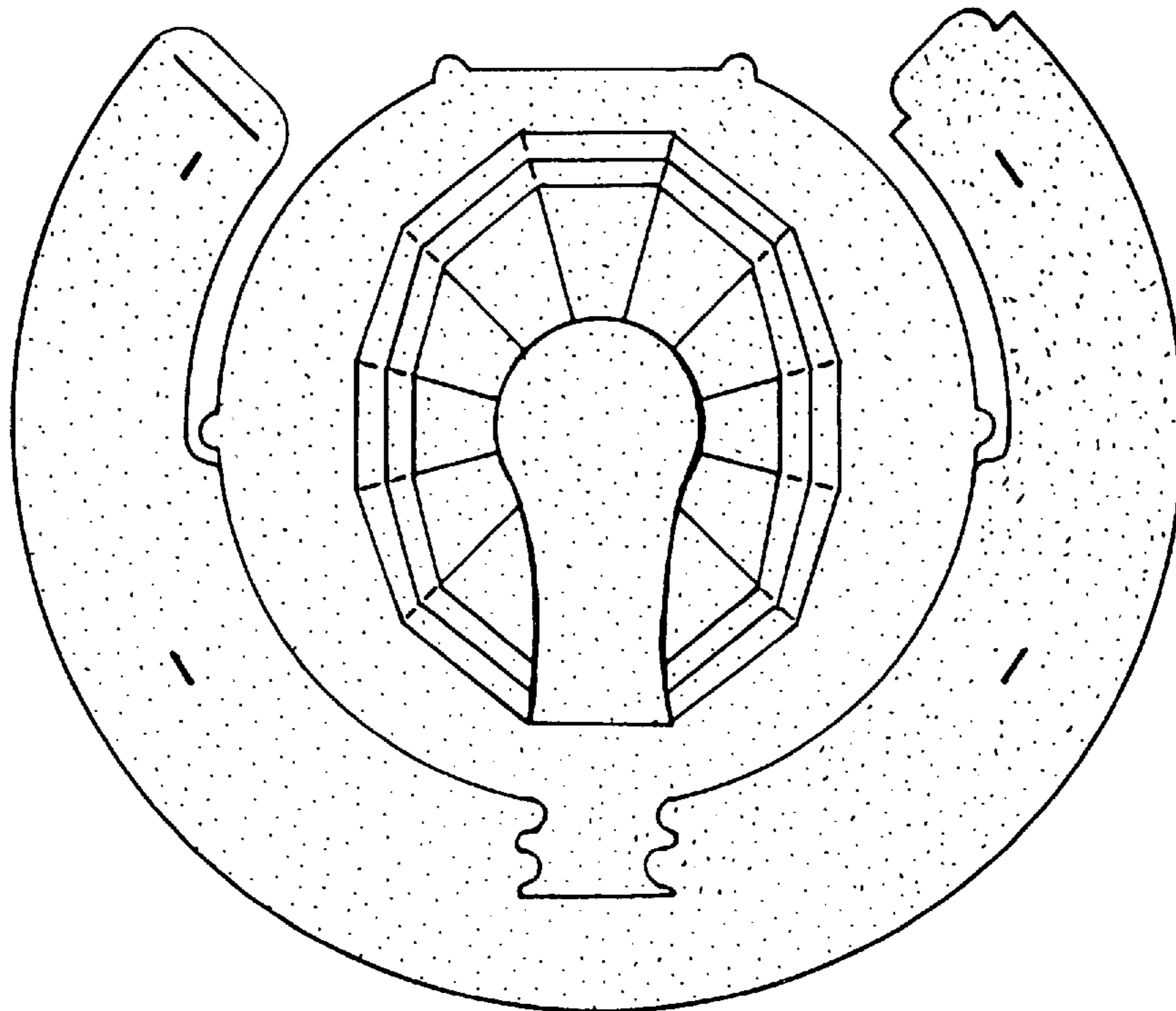
[57] **CLAIM**

The ornamental design for sunshine hat, as shown and described.

**DESCRIPTION**

FIG. 1 is a side elevational view of a sunshine hat showing our new design;  
FIG. 2 is a top plan view thereof, the undisclosed bottom view is not claimed;  
FIG. 3 is a front elevational view thereof; and,  
FIG. 4 is a side elevational view in main position, the broken line showing of a human profile is for convenience of illustration only.

**1 Claim, 1 Drawing Sheet**



---

FIG. 1.

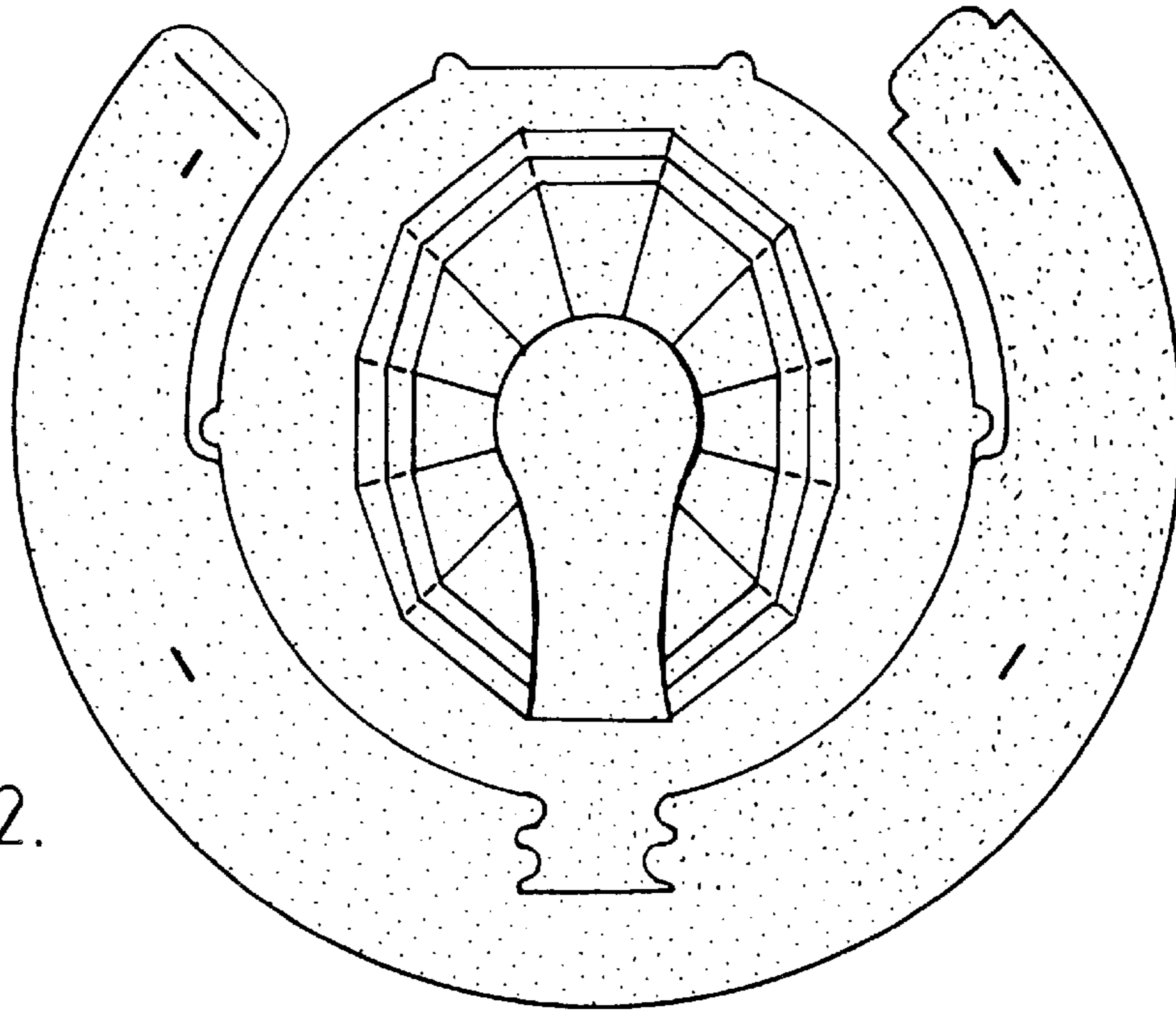


FIG. 2.

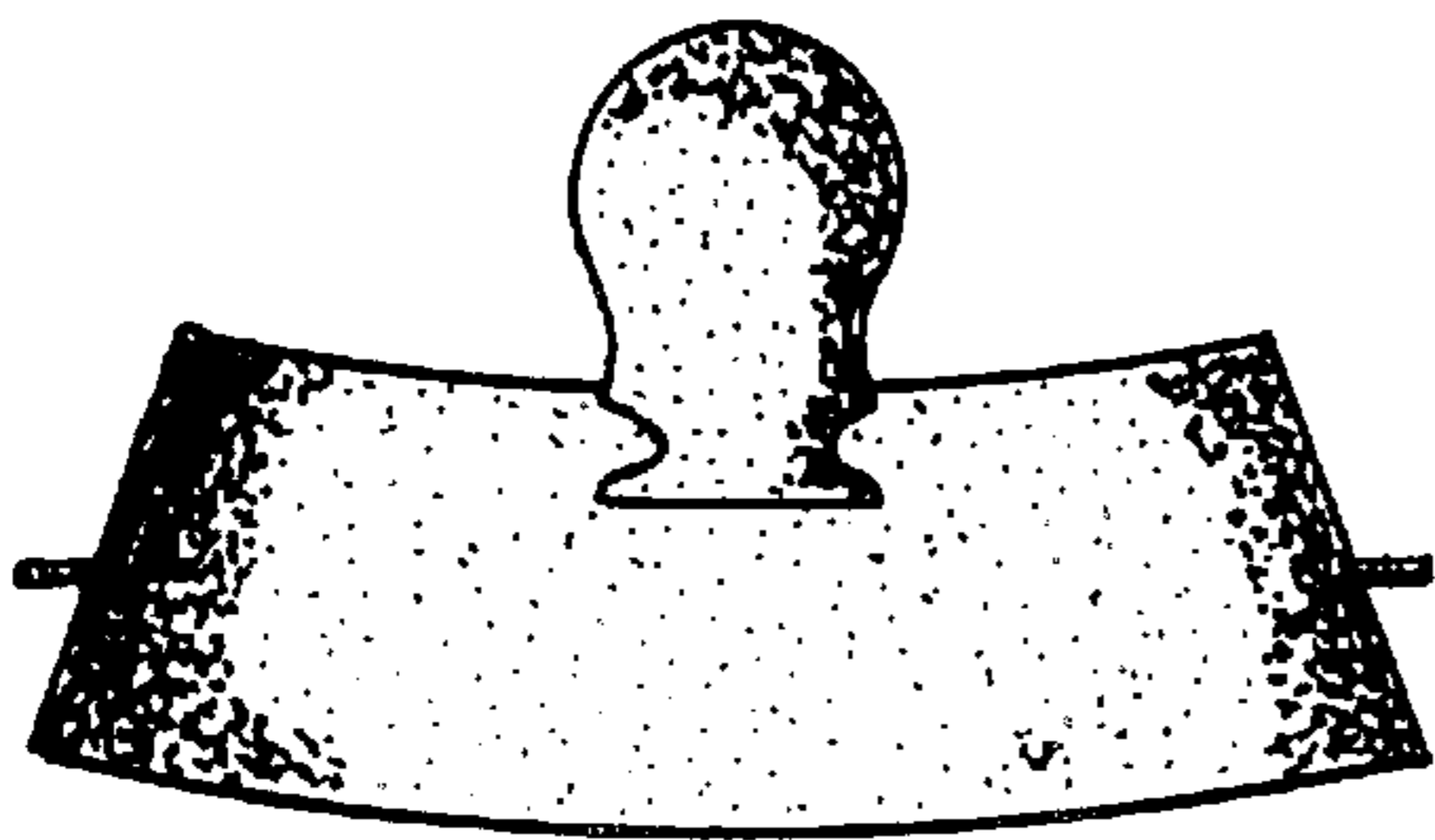


FIG. 3.

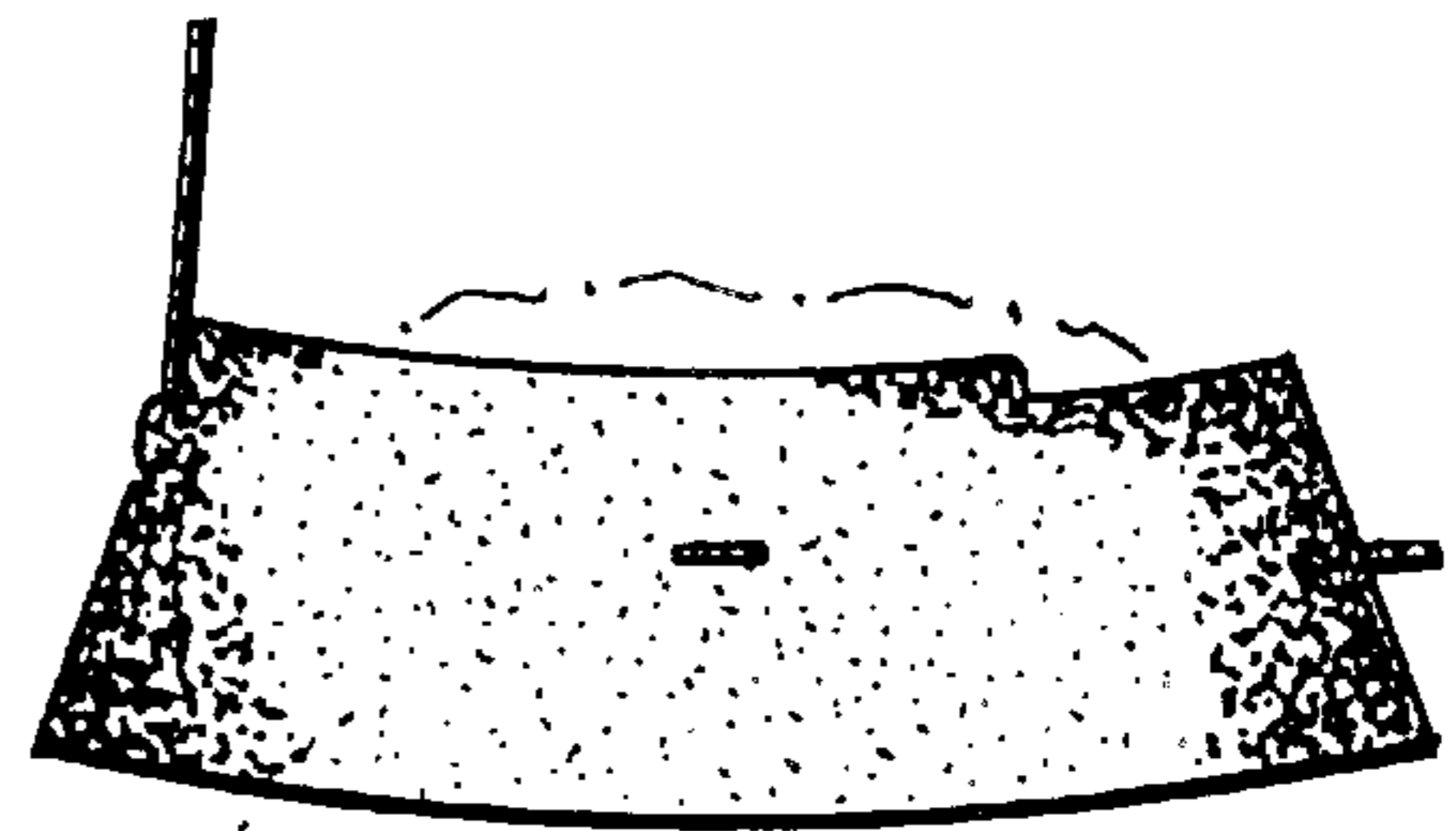


FIG. 4.