



US00D403131S

United States Patent [19]

[11] Patent Number: Des. 403,131

Bowell et al.

[45] Date of Patent: **Dec. 22, 1998

[54] **POUTRY FOUNTAIN**

2,623,500 12/1952 Riley et al. .

[75] Inventors: **J. David Howell**, Vadnais Heights;
George R. Peterson, Brooklyn Park,
both of Minn.

2,687,115 8/1954 Andrews .

2,702,528 2/1955 Lehmann .

3,147,739 9/1964 Shaheen .

3,730,141 5/1973 Manning et al. .

3,877,482 4/1975 Rawdon .

4,527,513 7/1985 Hart et al. 119/51.5

5,207,182 5/1993 Lorenzana .

[73] Assignee: **Miller Manufacturing Company**,
Eagan, Minn.

[**] Term: **14 Years**

OTHER PUBLICATIONS

[21] Appl. No.: **79,052**

Brochure: "Little Giant®—Farm, Ranch and Pet Products",
Miller Manufacturing Company, South St. Paul, MN 55075
(Mar. 1996); pp. 1–5 and 16.

[22] Filed: **Nov. 7, 1997**

Brochure: "Products From Brower®—Seven Gallon Poultry
Durafont™", ©1995, Brower, Houghton, IA 52631; 2
pages.

[51] **LOC (6) Cl.** **30-03**

[52] **U.S. Cl.** **D30/132; D30/121**

[58] **Field of Search** D30/121–132;
119/60–61, 51.01, 51.13, 51.5, 52.1, 53,
55, 57.4, 57.91, 71–72, 74, 78; D7/551,
556; D9/316

Primary Examiner—Cathy Anne MacCormac
Attorney, Agent, or Firm—Merchant, Gould, Smith, Edell,
Welter & Schmidt, P.A.

[57] CLAIM

[56] References Cited

The ornamental design for a poultry fountain, as shown and
described.

U.S. PATENT DOCUMENTS

DESCRIPTION

D. 4,542	12/1870	Van Gaasbeek	D30/132
D. 35,532	12/1901	Fisk	D30/132
D. 42,061	12/1911	Quebe	D30/132
D. 218,831	9/1970	Leeming	D30/129
D. 233,642	11/1974	Arnold	D30/132
D. 250,422	11/1978	Mallinson	D30/132
D. 352,575	11/1994	Bransky et al.	D30/127
D. 374,952	10/1996	Wenstrand	D30/132
2,086,341	7/1937	Tolley .		
2,148,180	2/1939	Teigen	30/132
2,324,020	7/1943	Pinson .		
2,562,165	7/1951	Baringer .		

FIG. 1 is a perspective view of the poultry fountain, taken
from one side and top thereof;
FIG. 2 is a front elevational view thereof;
FIG. 3 is a rear elevational view thereof;
FIG. 4 is a side elevational view thereof, the other side being
a mirror image;
FIG. 5 is a top plan view thereof; and,
FIG. 6 is a bottom plan view thereof.

1 Claim, 3 Drawing Sheets

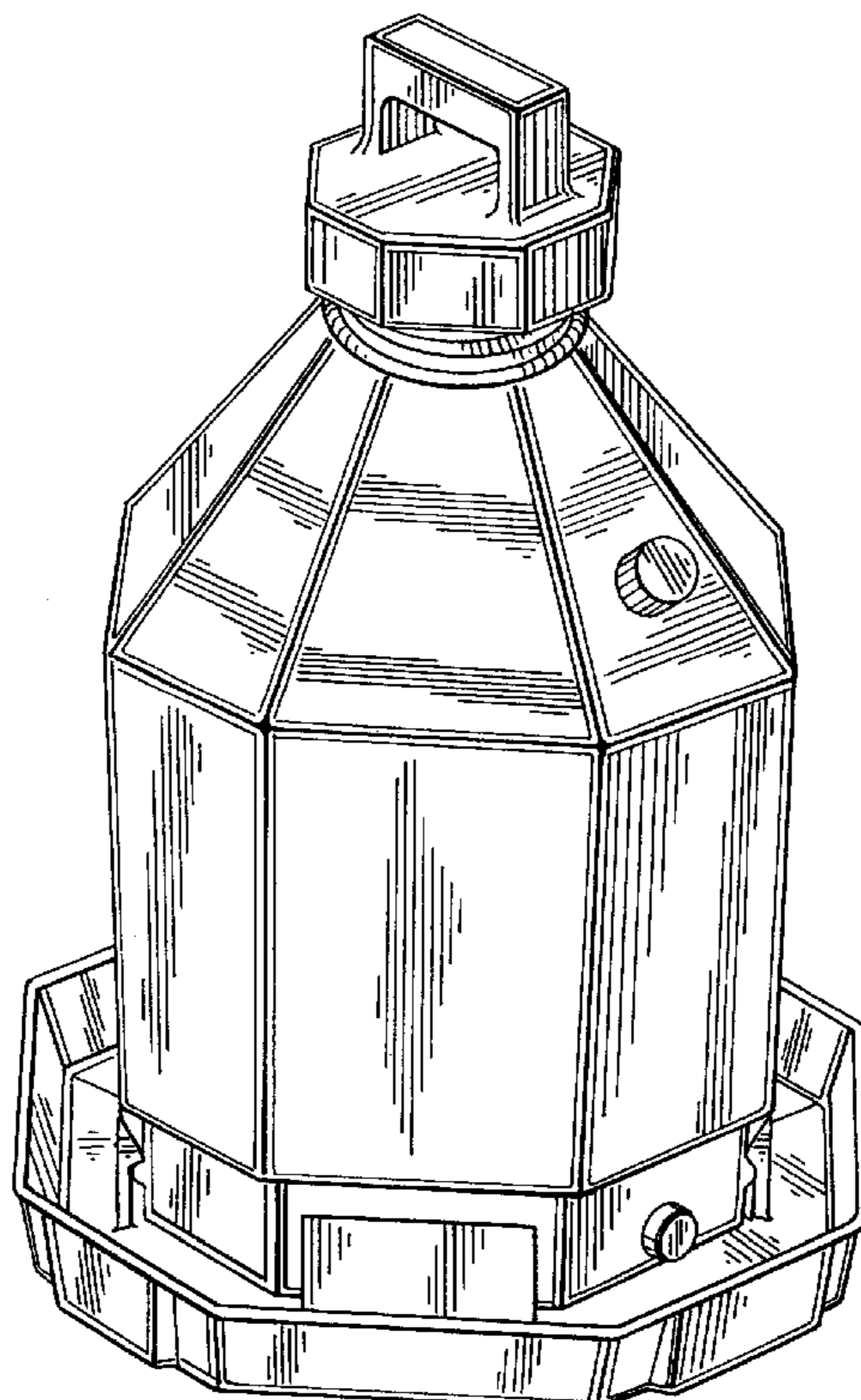


Fig.1

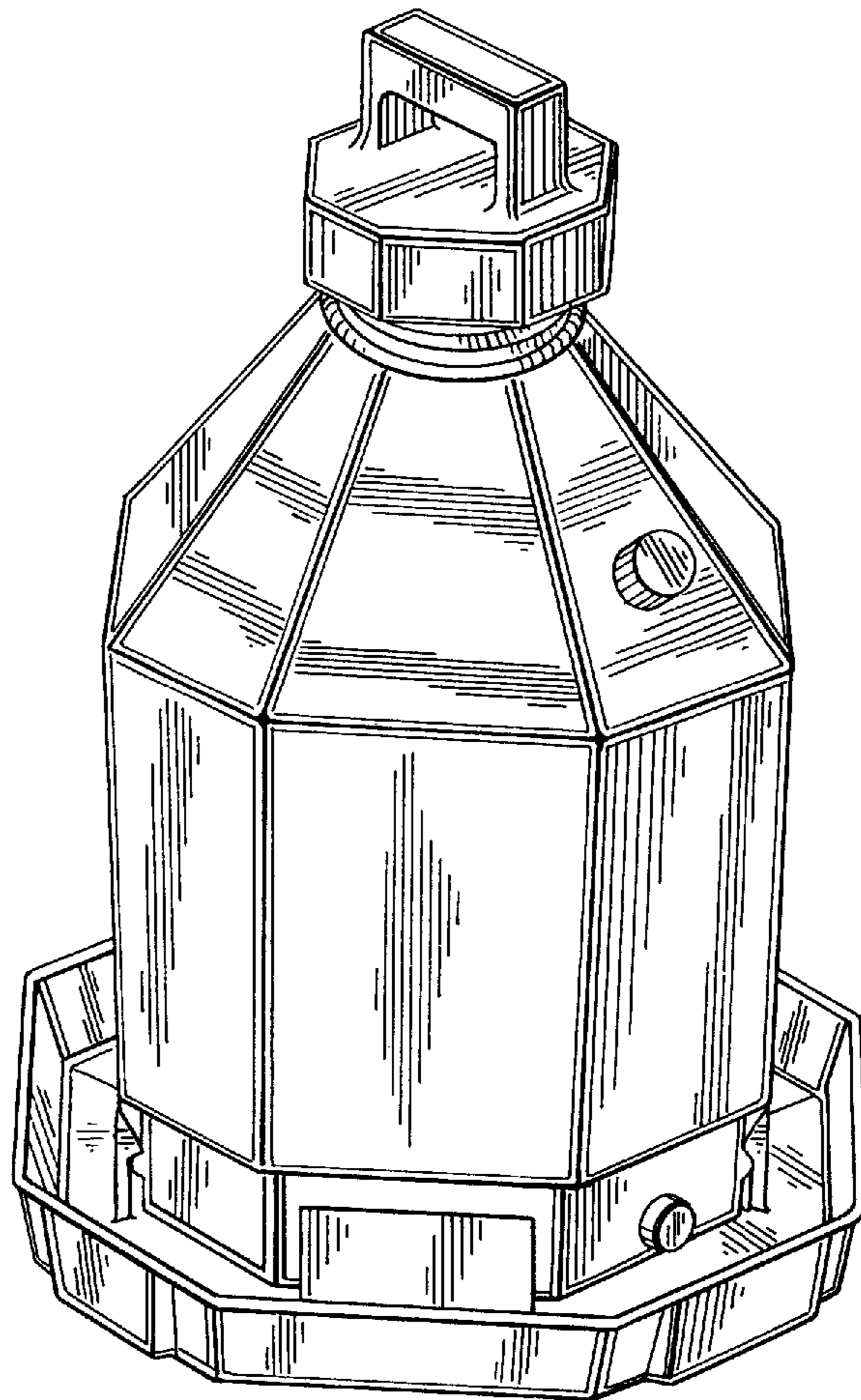


Fig.3

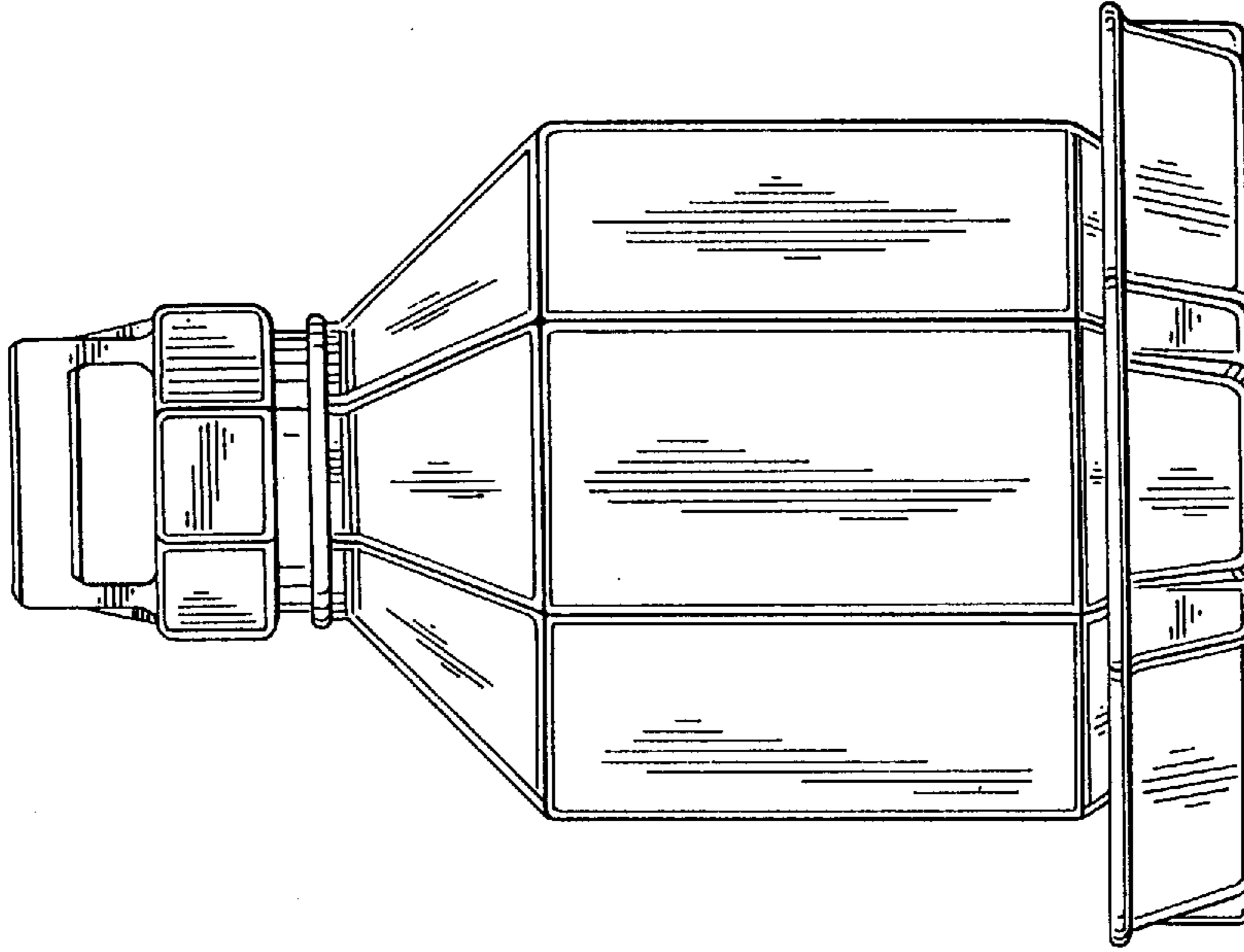


Fig.2

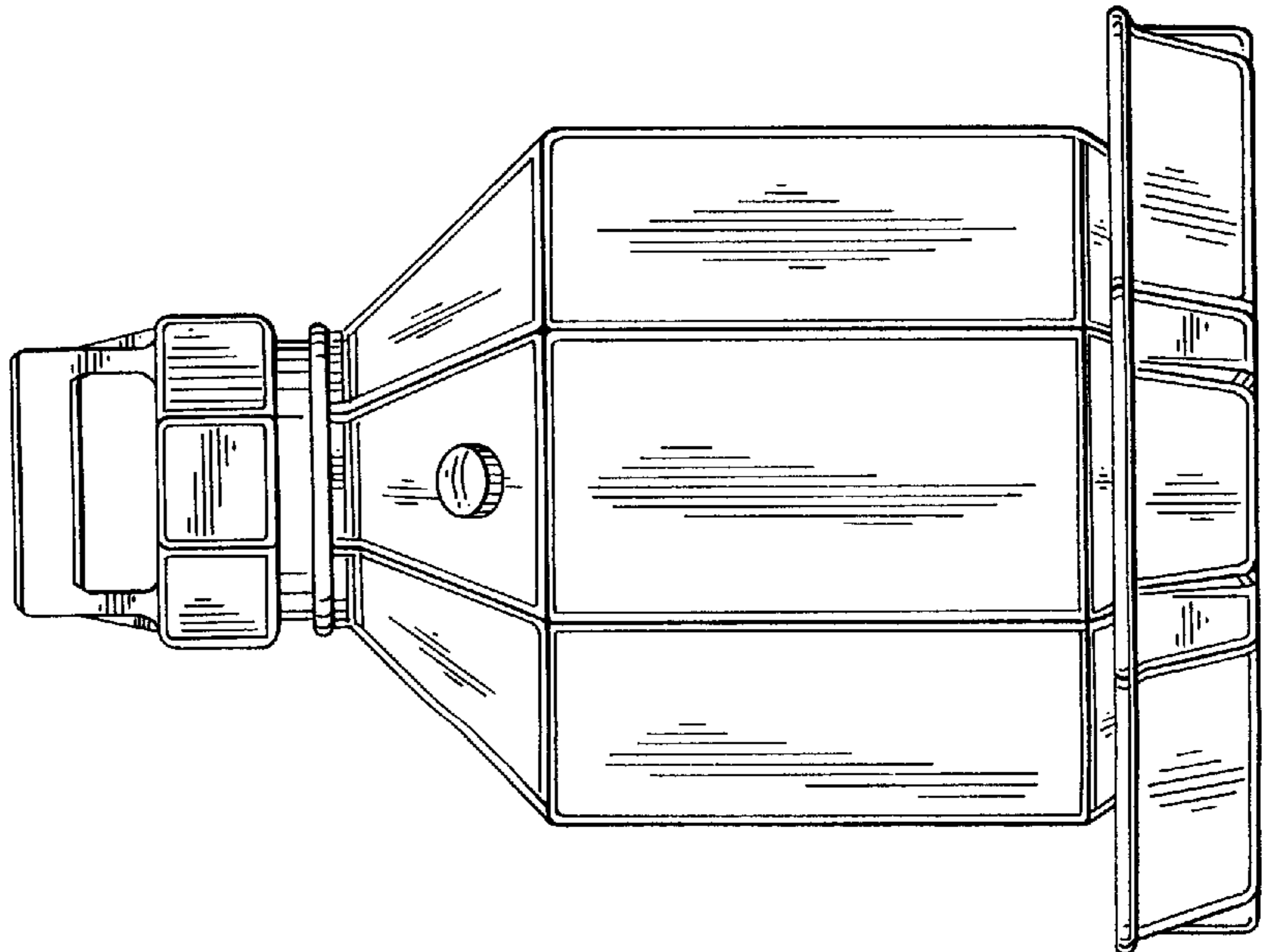


Fig.5

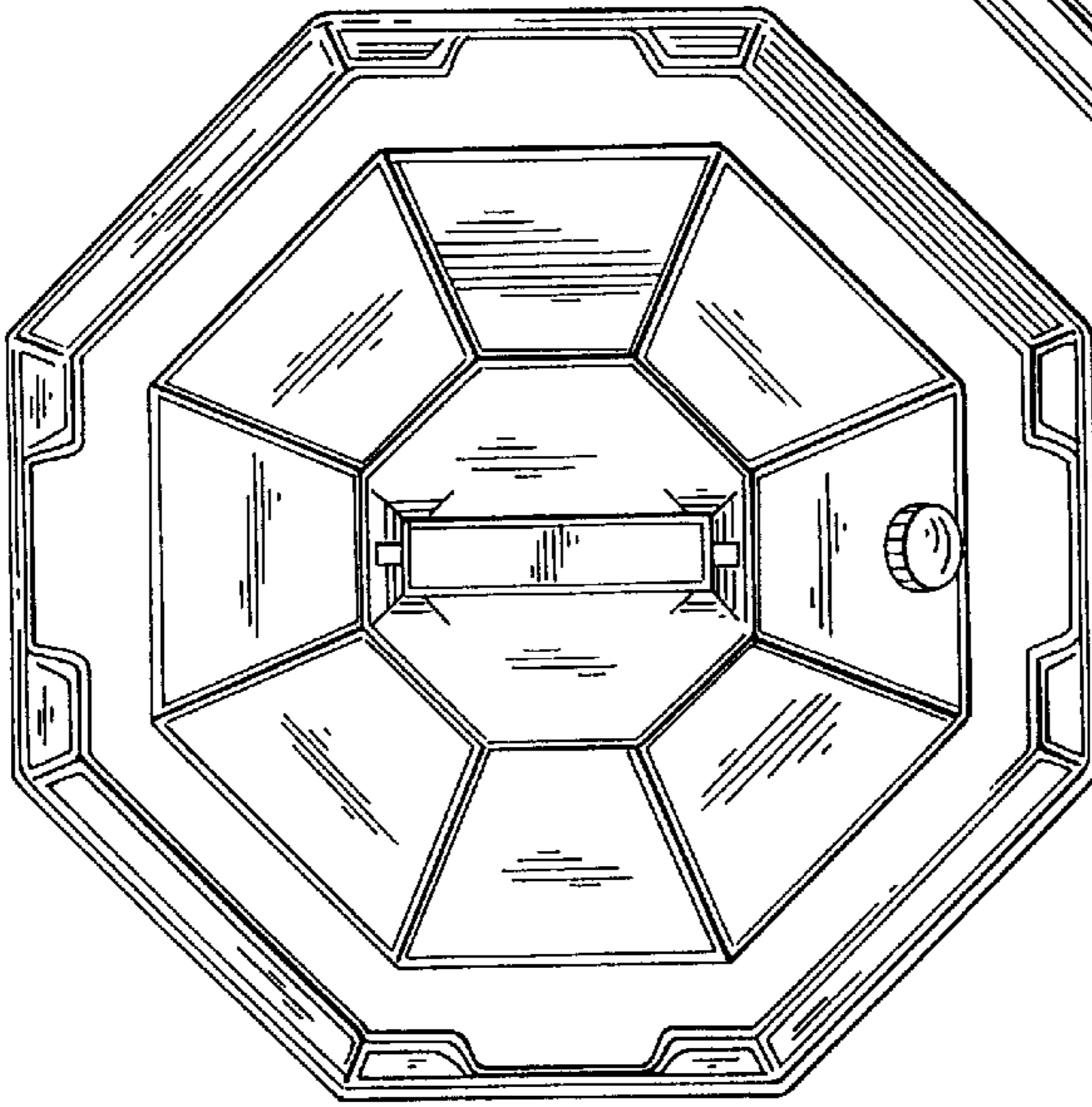


Fig.6

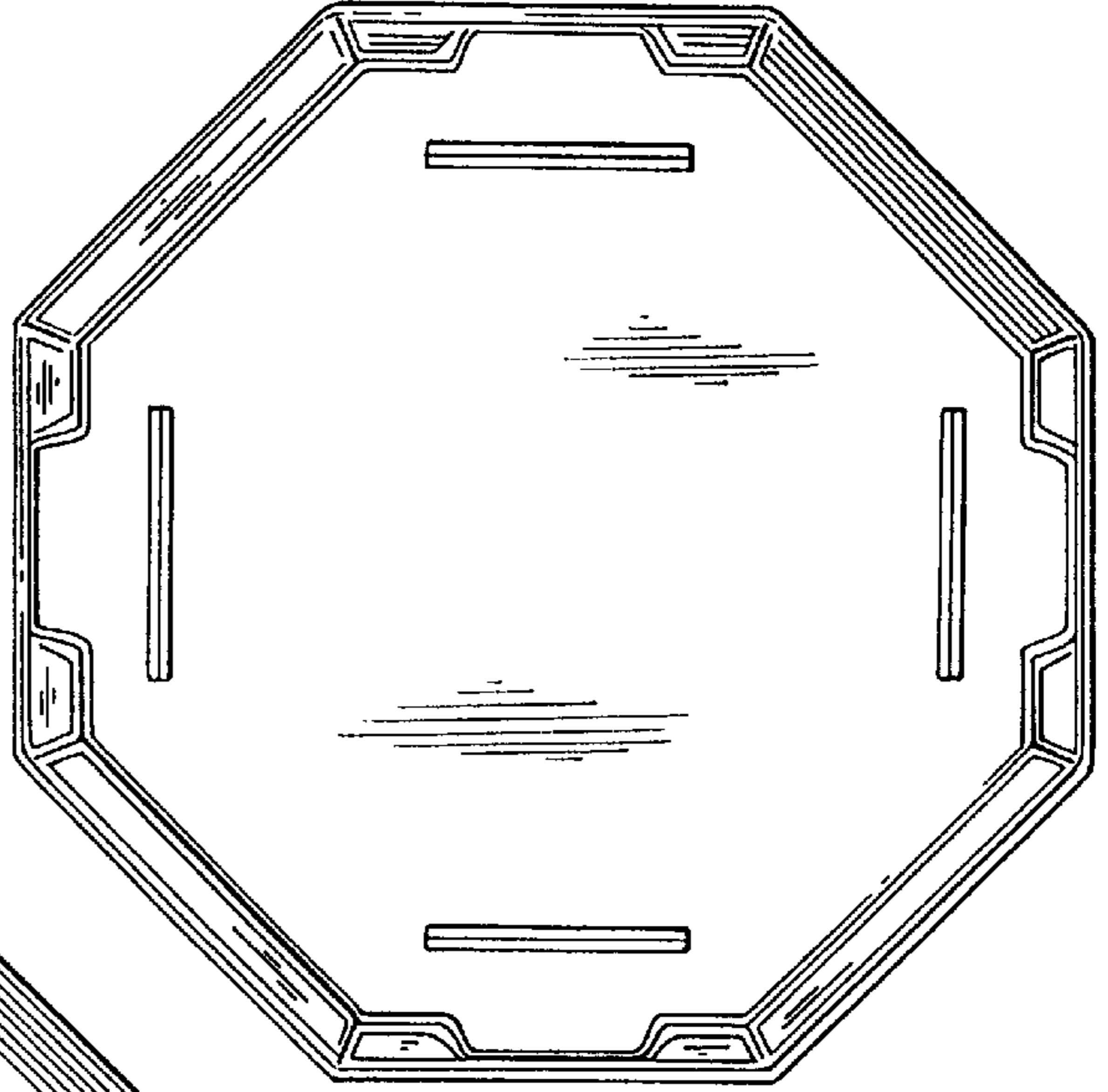


Fig.4

