



US00D403130S

United States Patent [19]

Bunney et al.

[11] **Patent Number: Des. 403,130**

[45] **Date of Patent: **Dec. 22, 1998**

[54] **BOTTLE**

[76] Inventors: **Gary B. Bunney**, P.O. Box 2, Joppa, Md. 21085; **John E. Sheaffer**, 1644 Greenspring Ave., Perryville, Md. 21903; **Dale R. Murray**, 6 White Pine Ct., Elkton, Md. 21921

[**] Term: **14 Years**

[21] Appl. No.: **61,905**

[22] Filed: **Nov. 1, 1996**

[51] **LOC (6) Cl. 30-07**

[52] **U.S. Cl. D30/121**

[58] **Field of Search D30/121-132; 119/60-61, 51.01, 51.13, 51.5, 52.1, 53, 55, 57.4, 57.91, 72, 74, 78; D9/447, 526; 215/11.1, 40; D24/197**

[56] **References Cited**

U.S. PATENT DOCUMENTS

D. 37,569	6/1905	Baker	D9/526
D. 233,827	12/1974	Henry	D9/526
D. 249,076	8/1978	Meeker et al.	D30/132
D. 294,986	3/1988	Atchley	D30/132
D. 304,548	11/1989	Freitas	D9/526
D. 310,436	9/1990	Krauth	D30/121
D. 328,656	8/1992	Greer et al.	D30/132
D. 337,863	7/1993	Bowell	D30/132

D. 341,204	11/1993	Hansen et al.	D9/526
D. 358,097	5/1995	Leibowitz	D9/527
D. 376,876	12/1996	McInnes	D30/121
5,010,847	4/1991	Braden	119/71
5,299,710	4/1994	Welsch et al.	D9/526
5,305,910	4/1994	Pollacco	215/11.1
5,492,083	2/1996	Holladay	119/52.1
5,738,039	4/1998	Berman et al.	119/72

OTHER PUBLICATIONS

Never Freez Automatic "Doggie Drink" brochure; Doggie Drink Manufacturing Co.; cover page through page 3, Nov. 1991.

Primary Examiner—Cathy Anne MacCormac
Attorney, Agent, or Firm—Stroock & Stroock & Lavan LLP

[57] **CLAIM**

The ornamental design for a bottle, as shown and described.

DESCRIPTION

FIG. 1 is a perspective view of a bottle showing our new design;

FIG. 2 is a top plan view thereof;

FIG. 3 is a side elevational view thereof, the opposite side being a mirror image;

FIG. 4 is a rear elevational view thereof;

FIG. 5 is a front elevational view thereof; and,

FIG. 6 is a bottom plan view thereof.

1 Claim, 3 Drawing Sheets

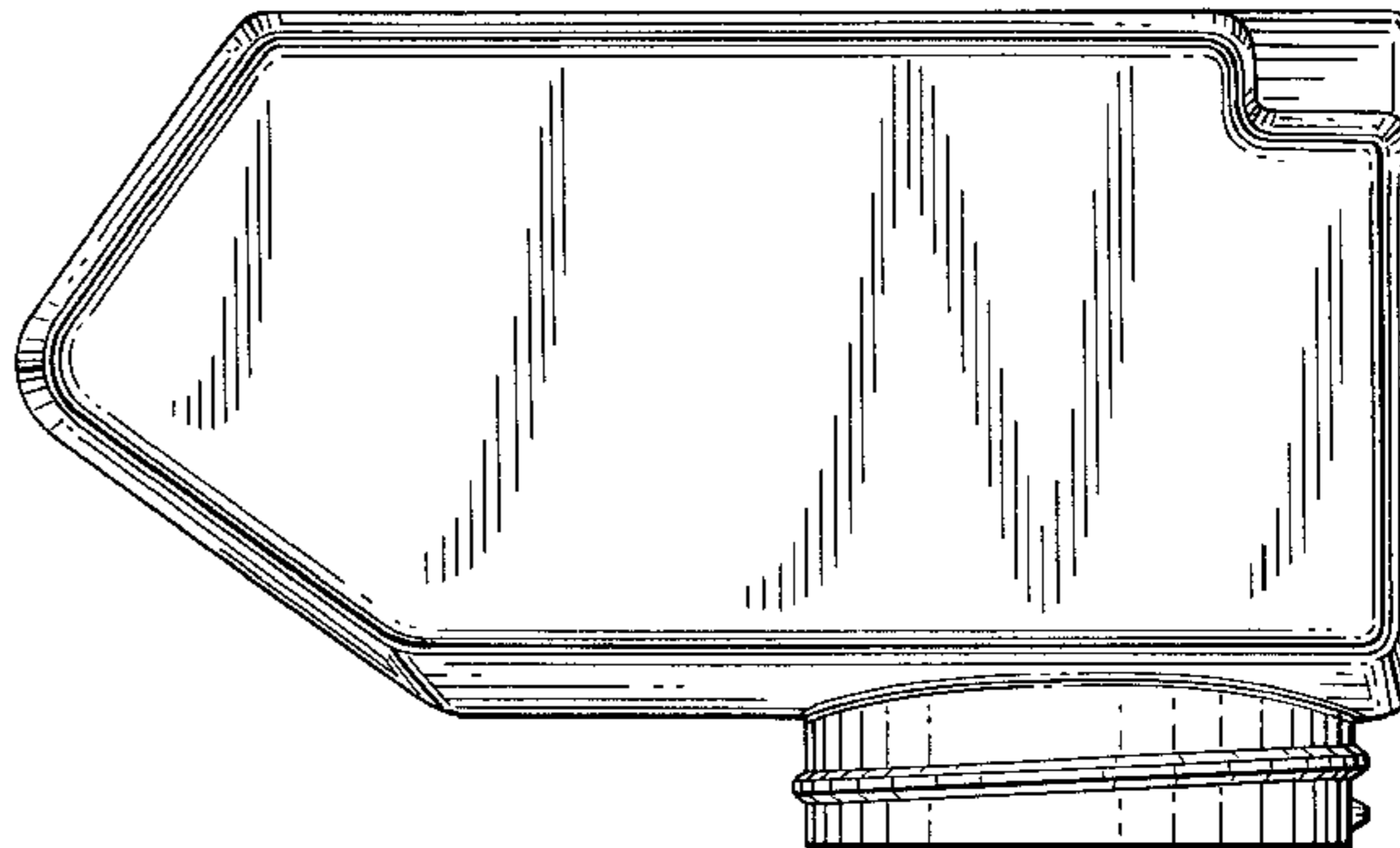
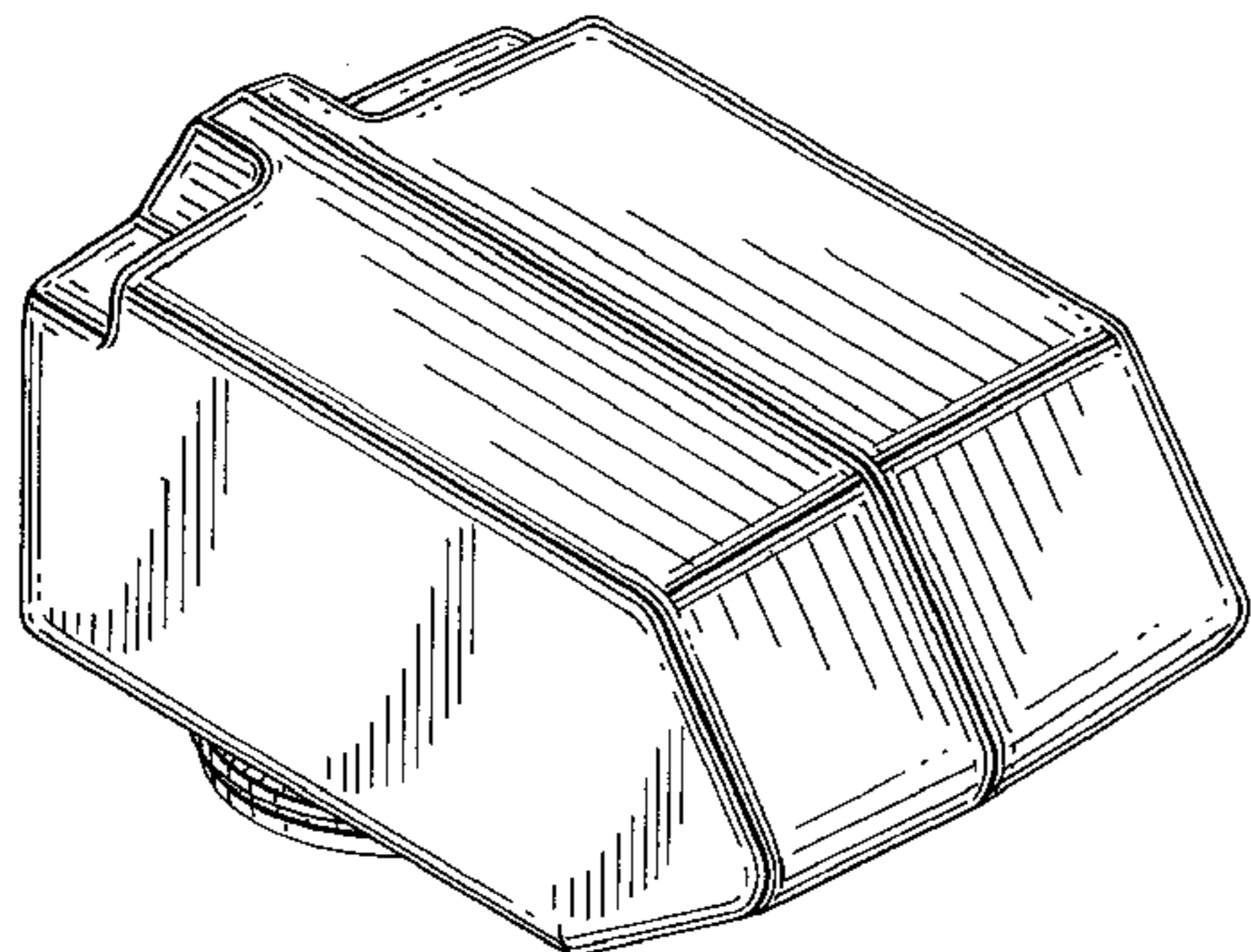


FIG. 1

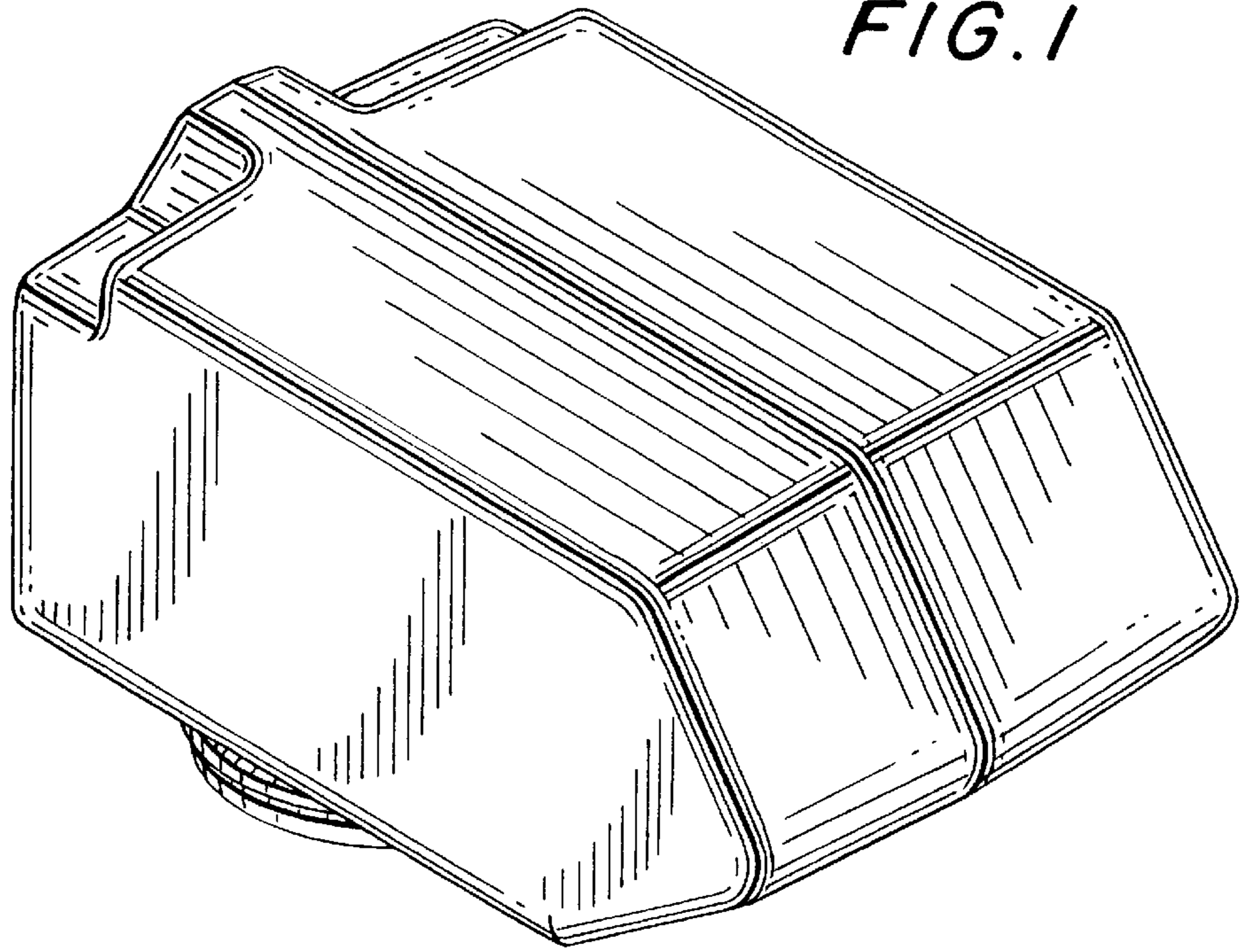


FIG. 2

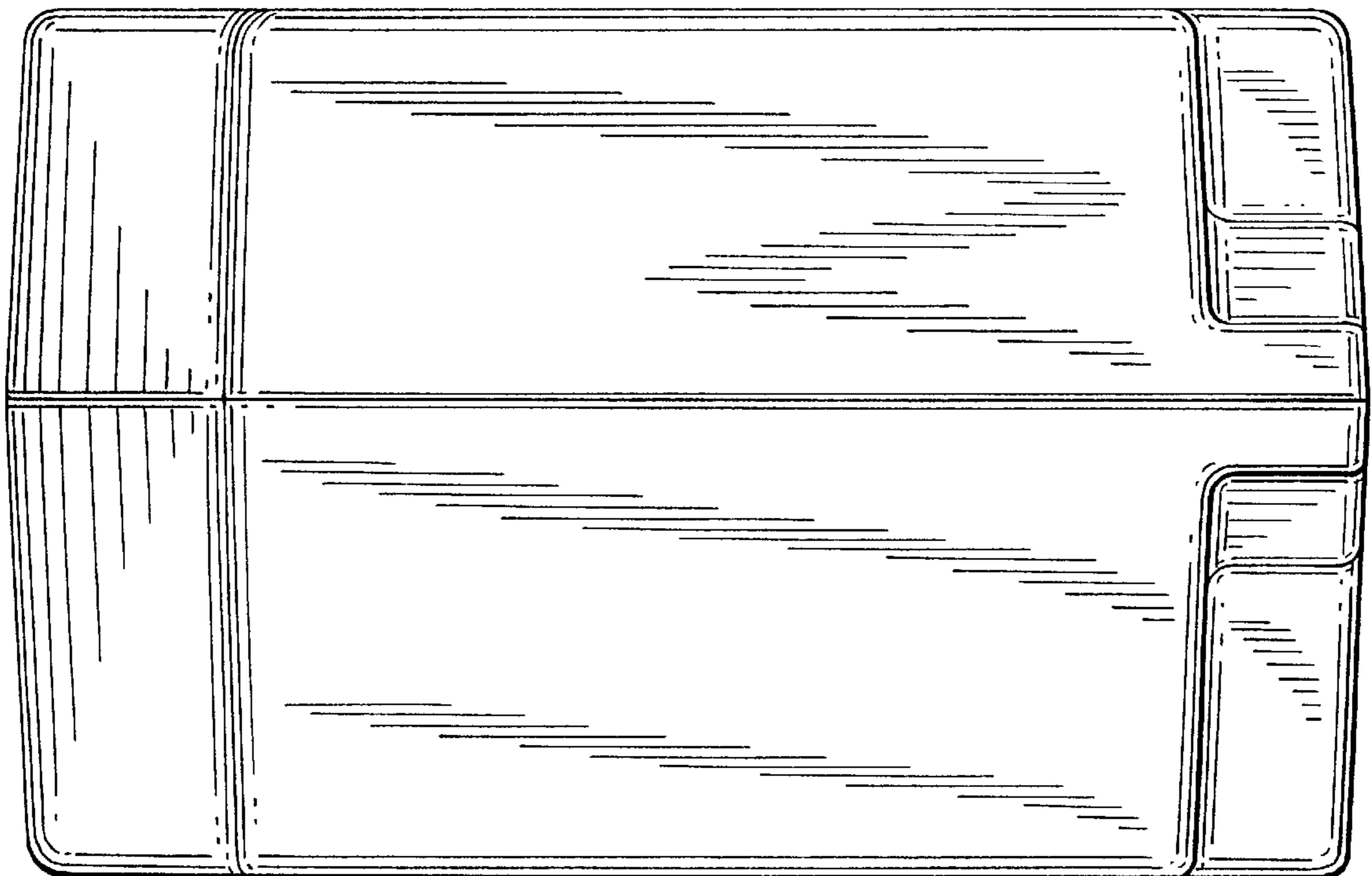


FIG. 3

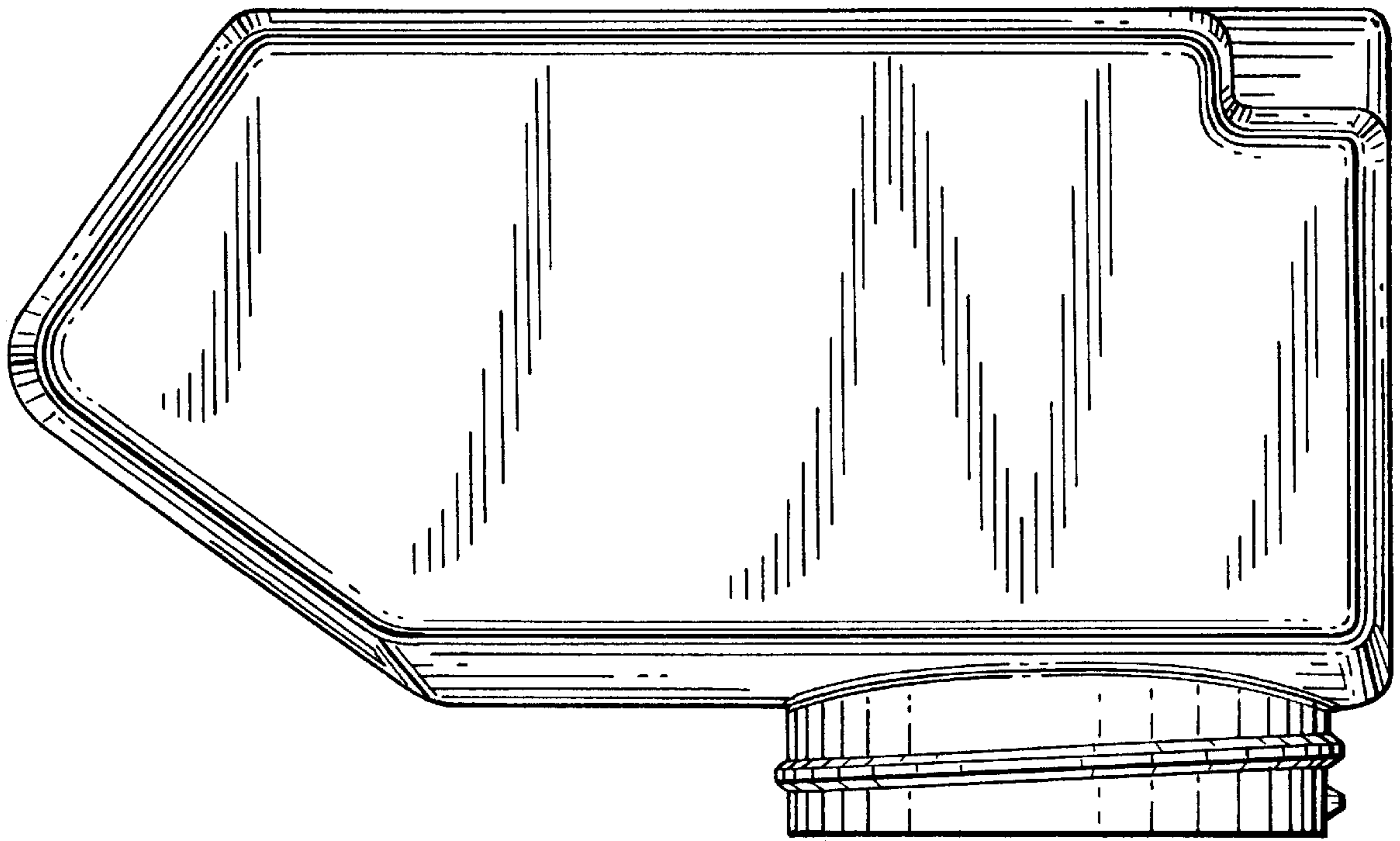


FIG. 4

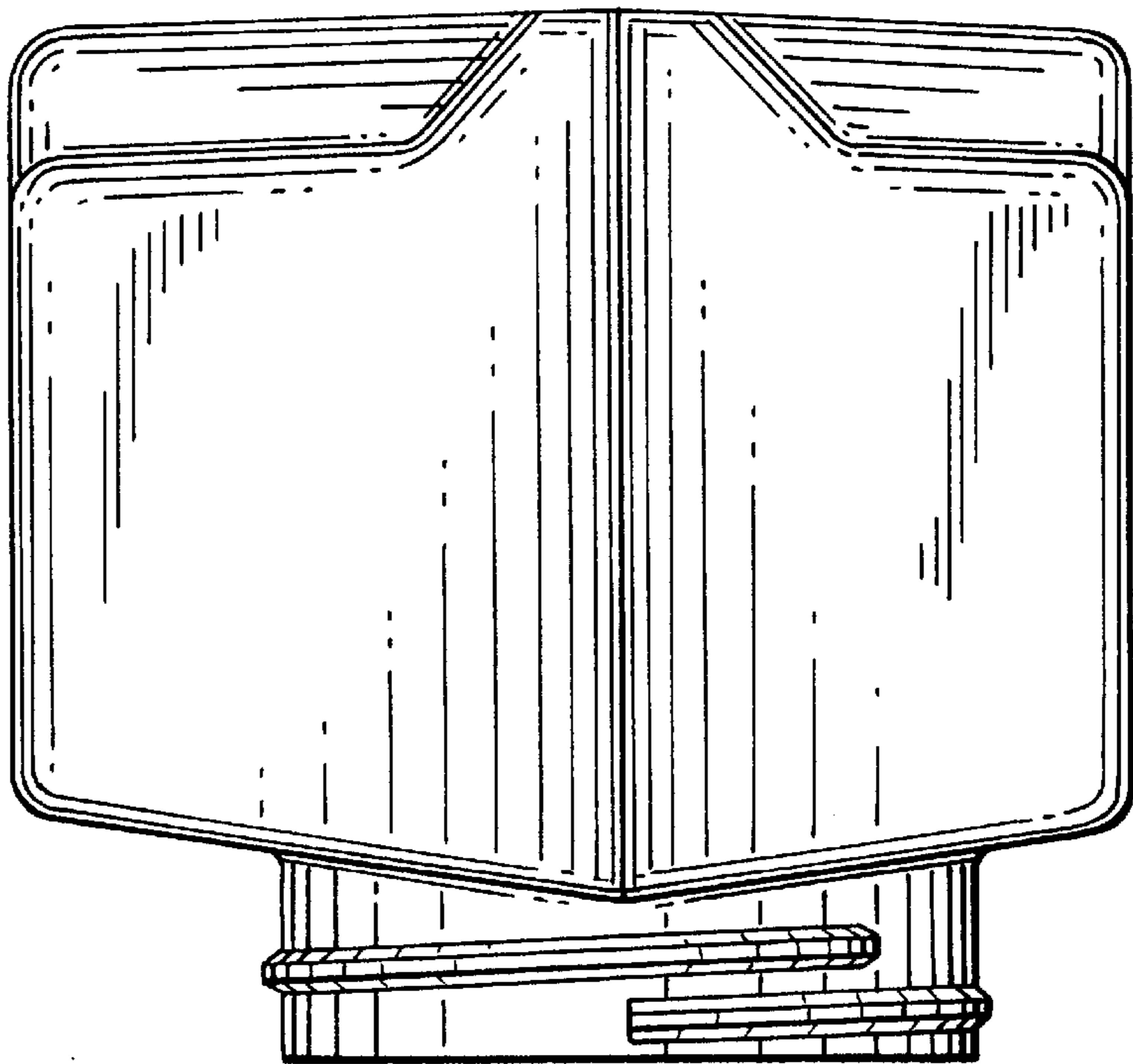


FIG. 5

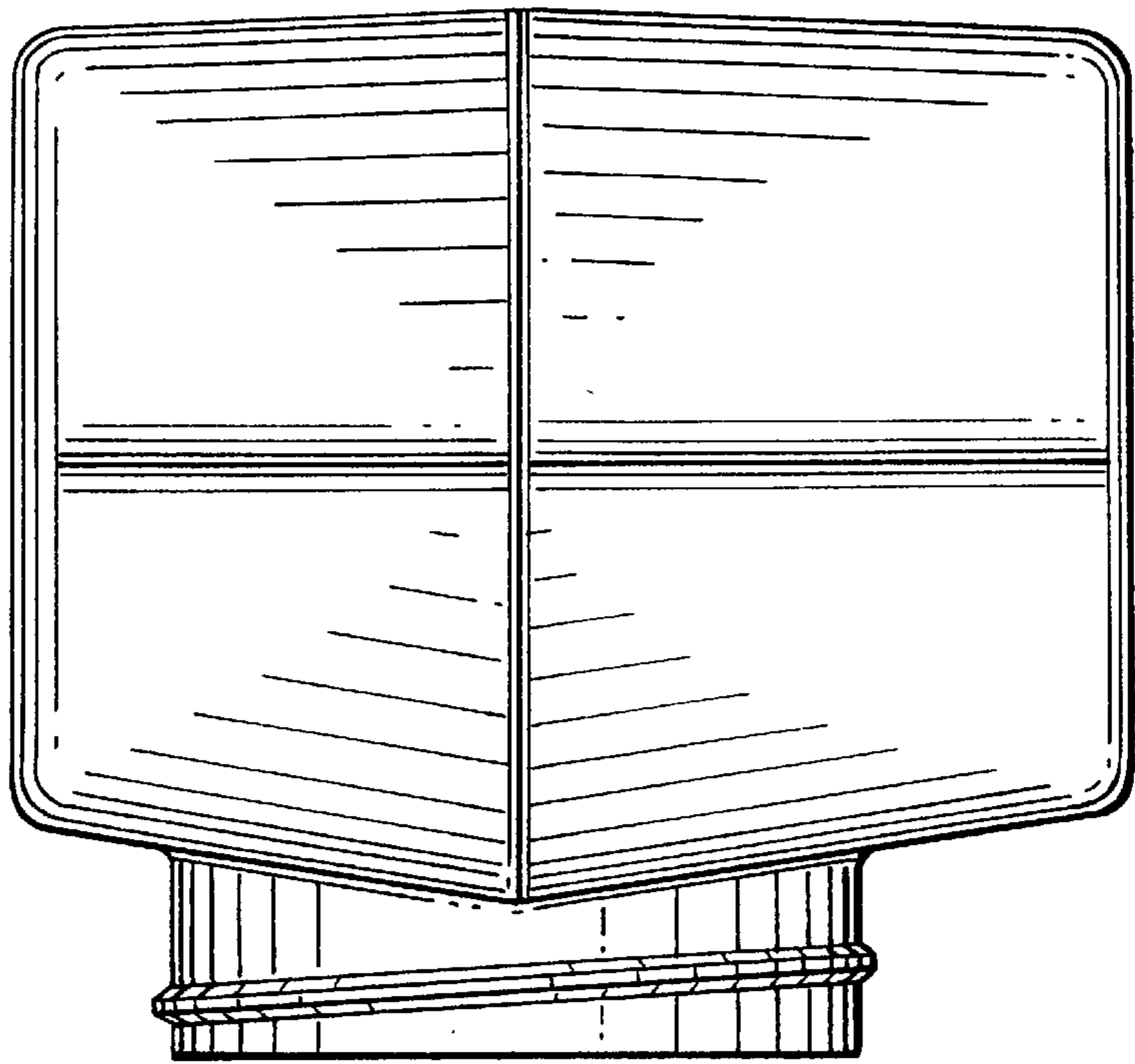
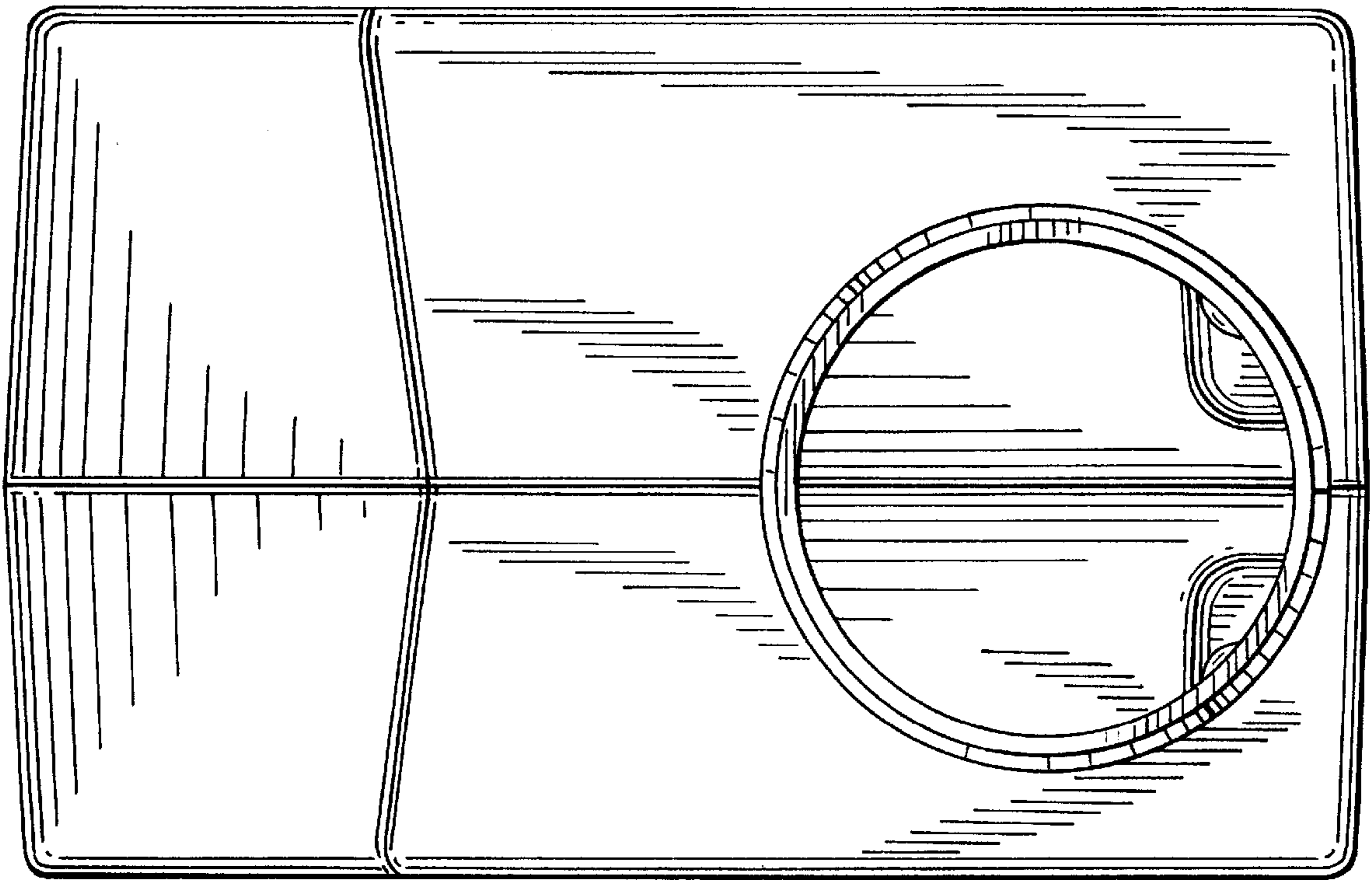


FIG. 6



UNITED STATES PATENT AND TRADEMARK OFFICE
CERTIFICATE OF CORRECTION

PATENT NO. : Des. 403,130

DATED : December 22, 1998

INVENTOR(S) : Gary B. Bunney, John E. Sheaffer and Dale R. Murray

It is certified that error appears in the above-identified patent and that said Letters Patent is hereby corrected as shown below:

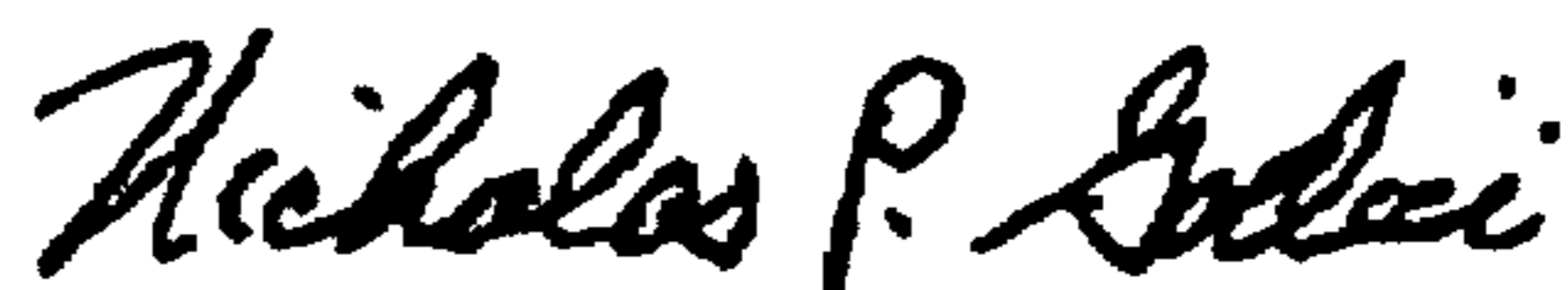
ON THE TITLE PAGE

Please Add

--[73] Assignee: Lab Products, Inc., Seaford, Delaware - -

Signed and Sealed this
Twenty-ninth Day of May, 2001

Attest:



NICHOLAS P. GODICI

Attesting Officer

Acting Director of the United States Patent and Trademark Office