



US00D403126S

United States Patent [19]

Scanlon et al.

[11] Patent Number: Des. 403,126

[45] Date of Patent: **Dec. 22, 1998

[54] SOUND REDUCTION HEADSET

[76] Inventors: **Thomas A. Scanlon; Sean T. Scanlon**, both of 37 Tripps La., East Providence, R.I. 02914

[**] Term: **14 Years**

[21] Appl. No.: **66,766**

[22] Filed: **Feb. 18, 1997**

[51] LOC (6) Cl. **29-02**

[52] U.S. Cl. **D29/112**

[58] Field of Search D29/100, 112, D29/120, 122; D24/189-190; D16/314; D14/205-206; 2/10, 12-13, 15, 174, 203, 208-209, 423, 449, 452; 351/158; 128/857, 864, 866-867

[56] **References Cited**

U.S. PATENT DOCUMENTS

D. 298,670 11/1988 Palmaer D29/112
D. 313,092 12/1990 Nilsson D29/17

D. 317,767 6/1991 Banks D14/205
D. 353,817 12/1994 Wada D14/205
D. 375,584 11/1996 Westerdal D29/112
D. 385,665 10/1997 Westerdal D29/112
5,068,923 12/1991 Sjoqvist 2/209

Primary Examiner—Ruth McInroy
Attorney, Agent, or Firm—Robert J. Doherty

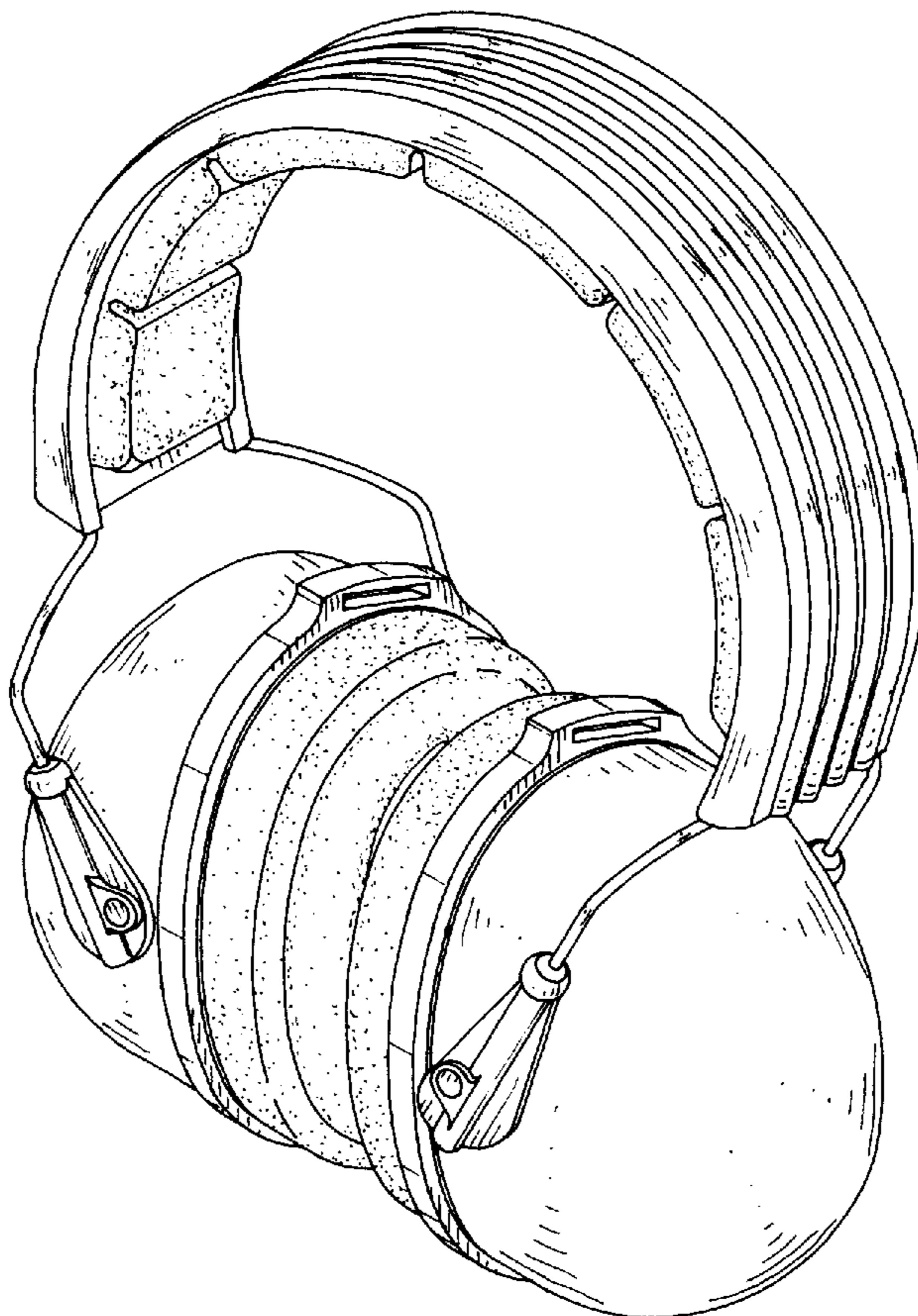
[57] **CLAIM**

The ornamental design for a sound reduction headset, as shown and described.

DESCRIPTION

FIG. 1 is a front perspective view of a sound reduction headset showing our new design; FIG. 2 is a front elevational view, the rear elevational view being the mirror image thereof; FIG. 3 is a left side elevational view, the right side elevational view being the mirror image thereof; FIG. 4 is a top plan view thereof; and, FIG. 5 is a bottom plan view thereof.

1 Claim, 2 Drawing Sheets



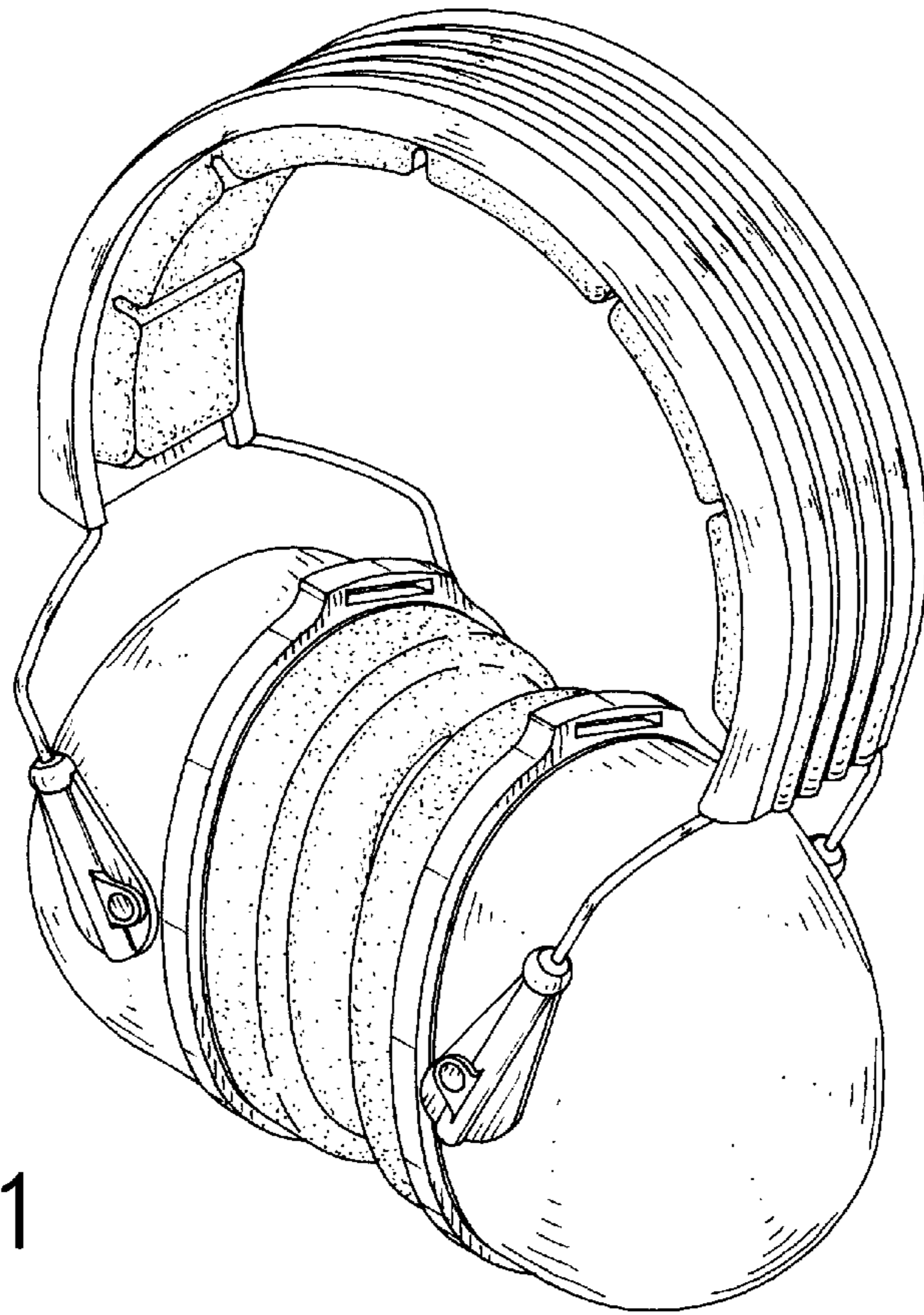


FIG. 1

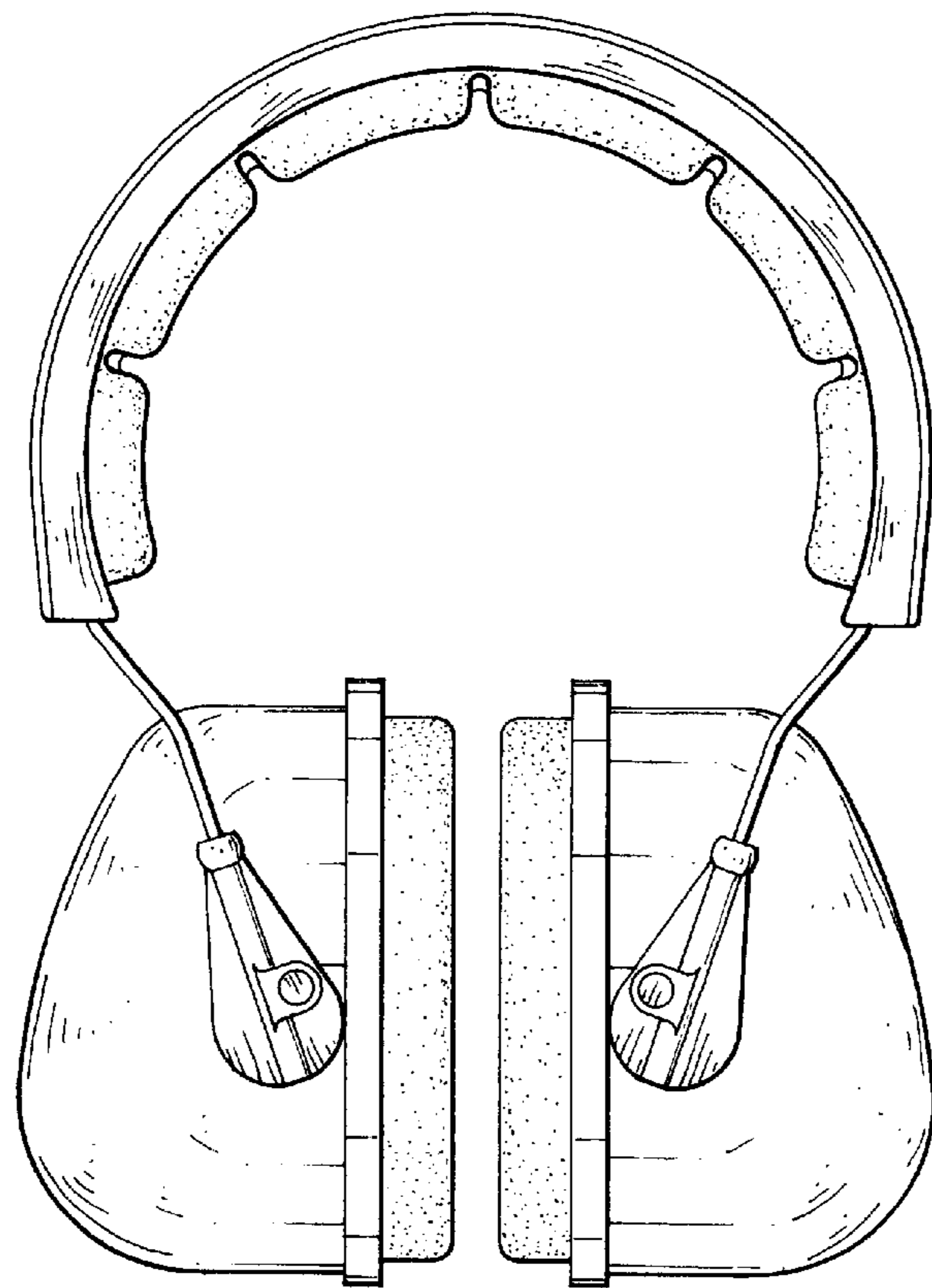


FIG. 2

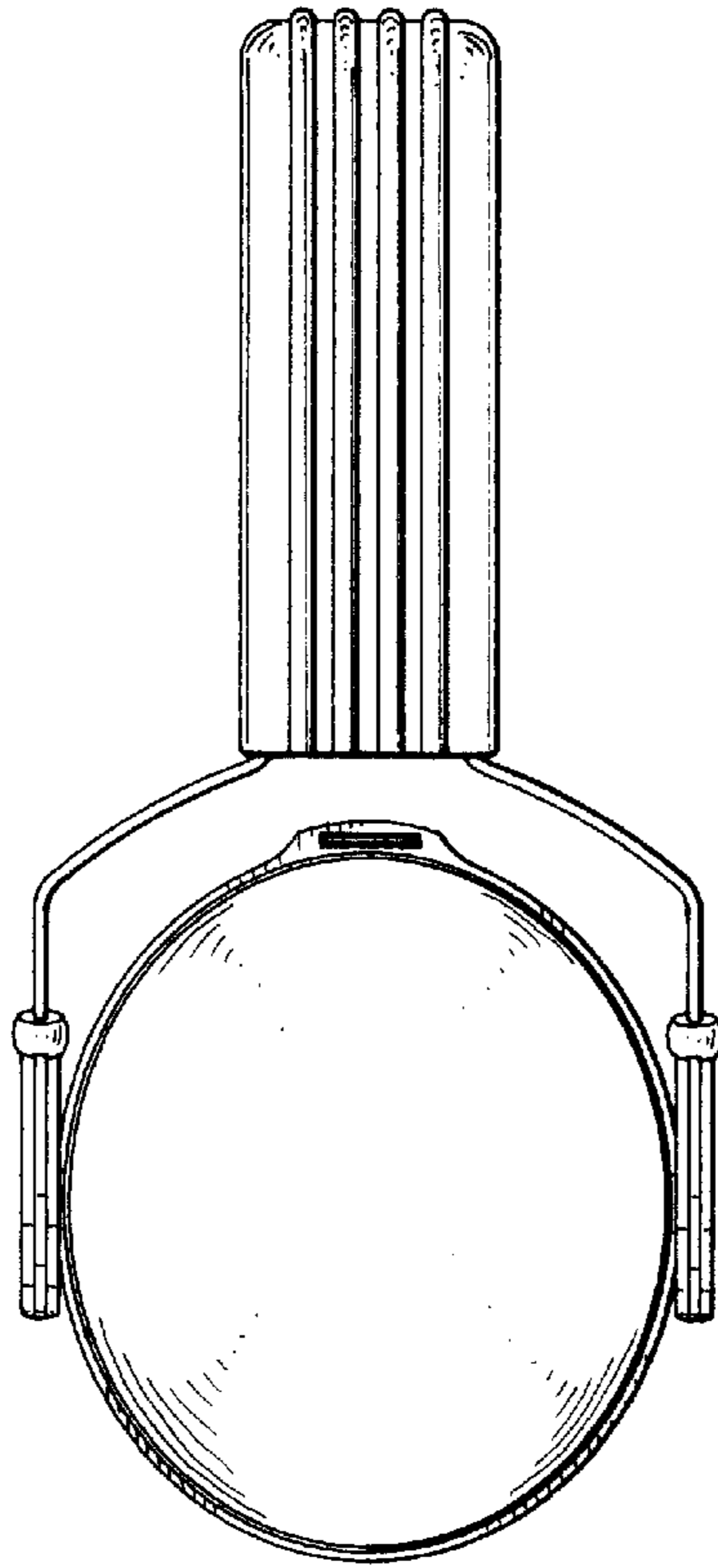


FIG. 3

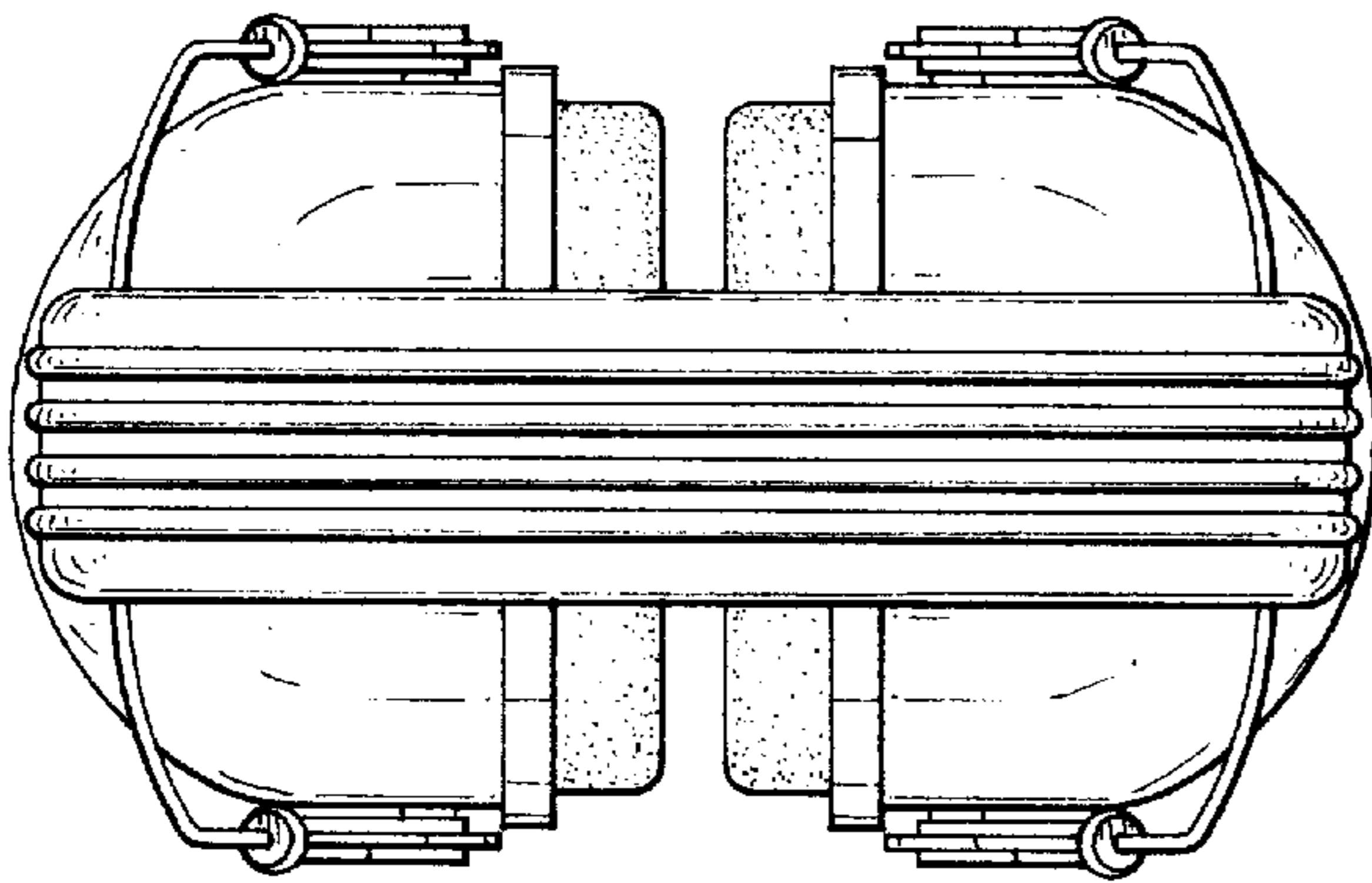


FIG. 4

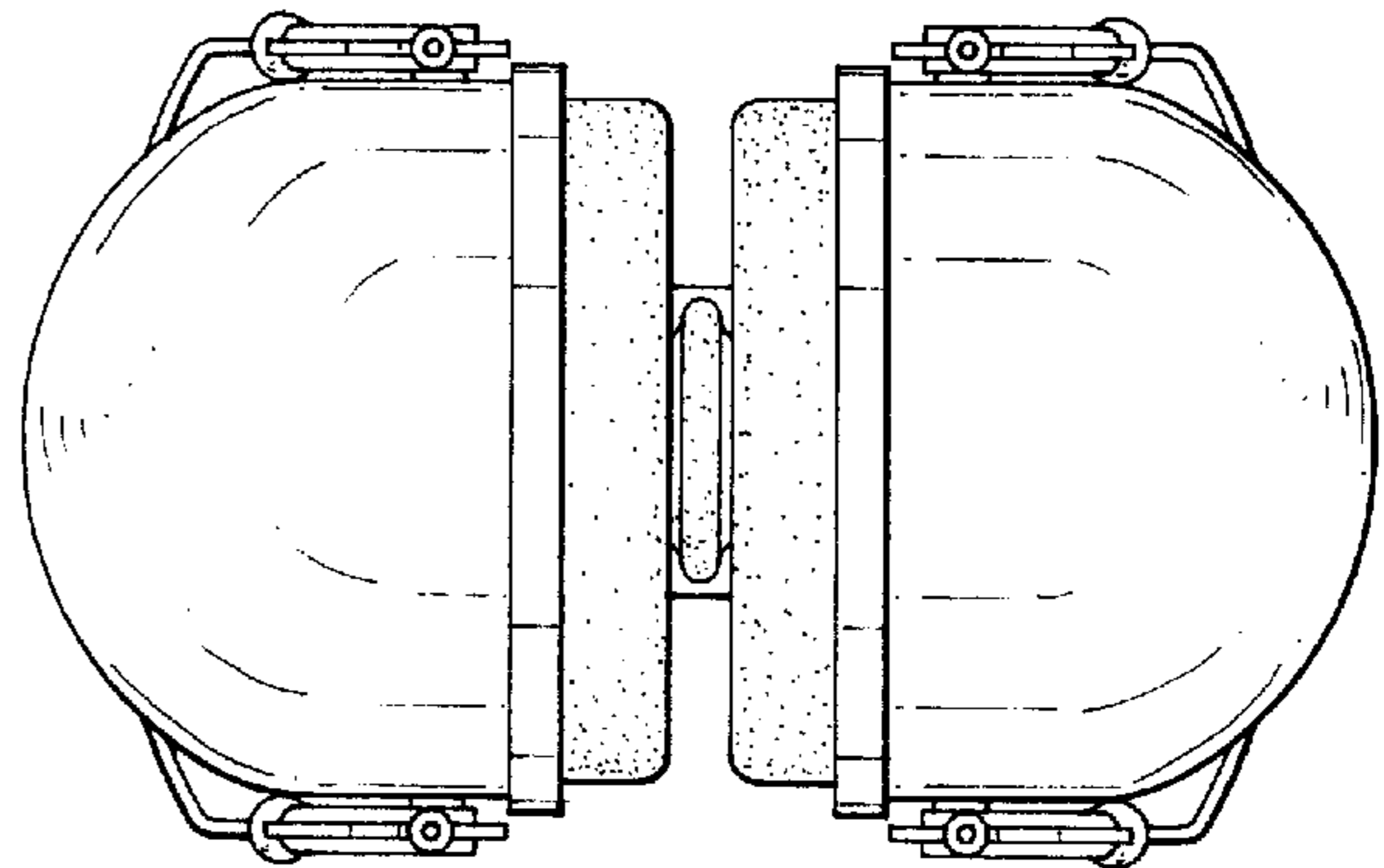


FIG. 5