



US00D403125S

United States Patent [19]

Larsen et al.

[11] **Patent Number: Des. 403,125**

[45] **Date of Patent: **Dec. 22, 1998**

[54] **NYLON COVERED ANTERIOR TRUNK SUPPORT**

D. 376,872	12/1996	Stroud	D29/101
2,252,357	8/1941	Shaw	D29/101
4,632,425	12/1986	Barratt	D29/101

[76] Inventors: **Debora M. Larsen**, 28 Diamond Dr., N. Waterboro, Me. 04061; **Kim S. D'Amato**, 20 Columbia Way, Newbury, Mass. 01951

OTHER PUBLICATIONS

Professional Health Care Catalog, 1986, Fred Sammons, Inc. p. 59. Posture Guards (top right corner).

[**] Term: **14 Years**

Primary Examiner—Ruth McInroy

[21] Appl. No.: **66,532**

[57] CLAIM

[22] Filed: **Mar. 3, 1997**

We claim the design of nylon covered anterior trunk support, as shown and described.

[51] **LOC (6) Cl.** **29-02**

DESCRIPTION

[52] **U.S. Cl.** **D29/111**

[58] **Field of Search** D29/100, 101, D29/120, 122; D24/190; 2/455-459, 461-468, 2.5, 2.11, 2.14-2.15, 44-45, 463, 464, 462; 280/290; 297/465, 468, 484, 486, 487

FIG. 1 is a top plan view of a nylon covered anterior trunk support showing our new design; FIG. 2 is a left side elevation view thereof; FIG. 3 is a right side elevation view thereof; FIG. 4 is a front elevation view thereof; and, FIG. 5 is a perspective view thereof, the chair and straps shown in broken lines are for illustrative purposes only and form no part of the claimed design.

[56] References Cited

U.S. PATENT DOCUMENTS

D. 245,537	8/1977	Gurgiolo	D24/190
D. 257,646	12/1980	Riedell	D29/101
D. 311,608	10/1990	Harding	D29/100

1 Claim, 2 Drawing Sheets

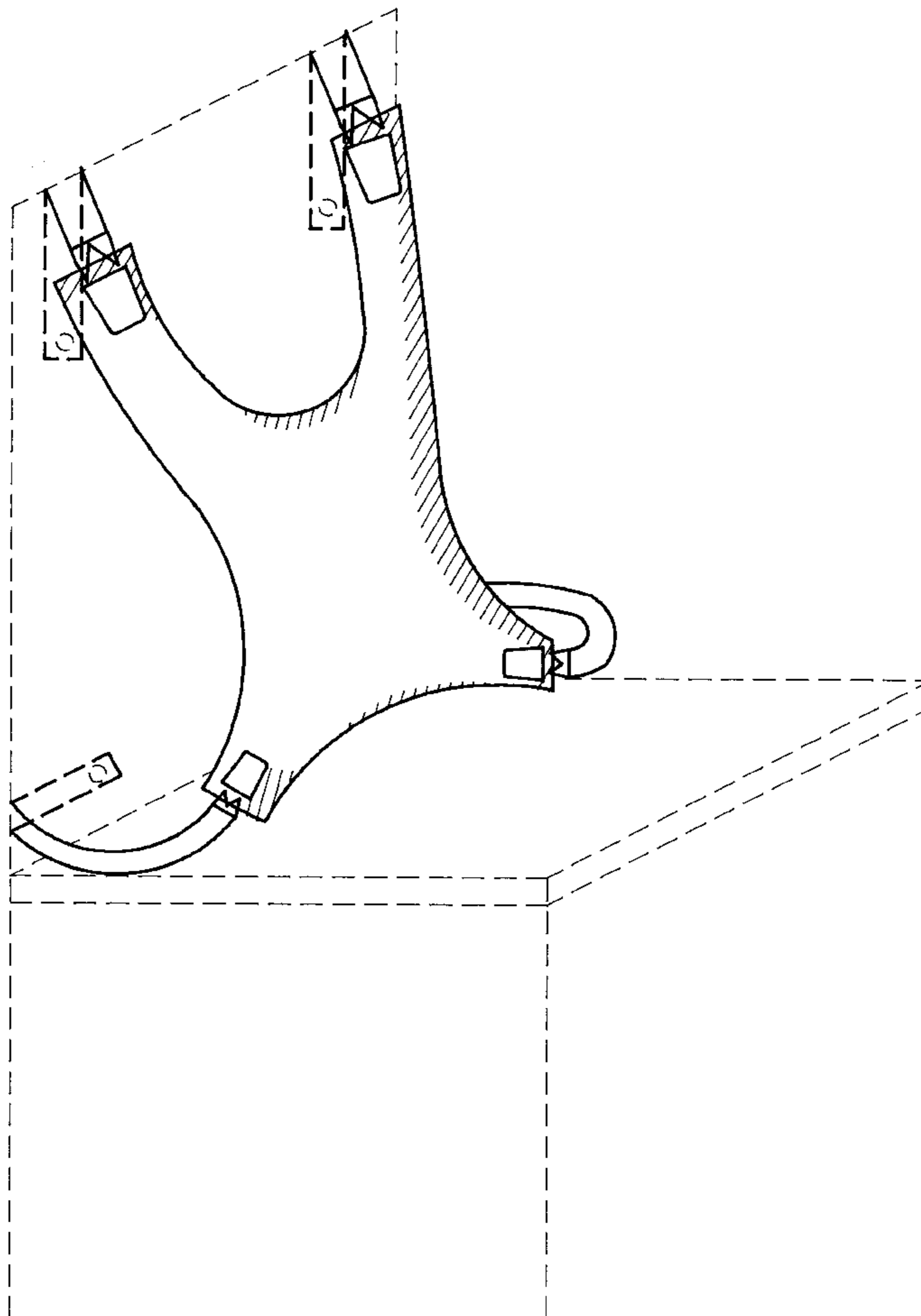




fig. 1



fig. 2

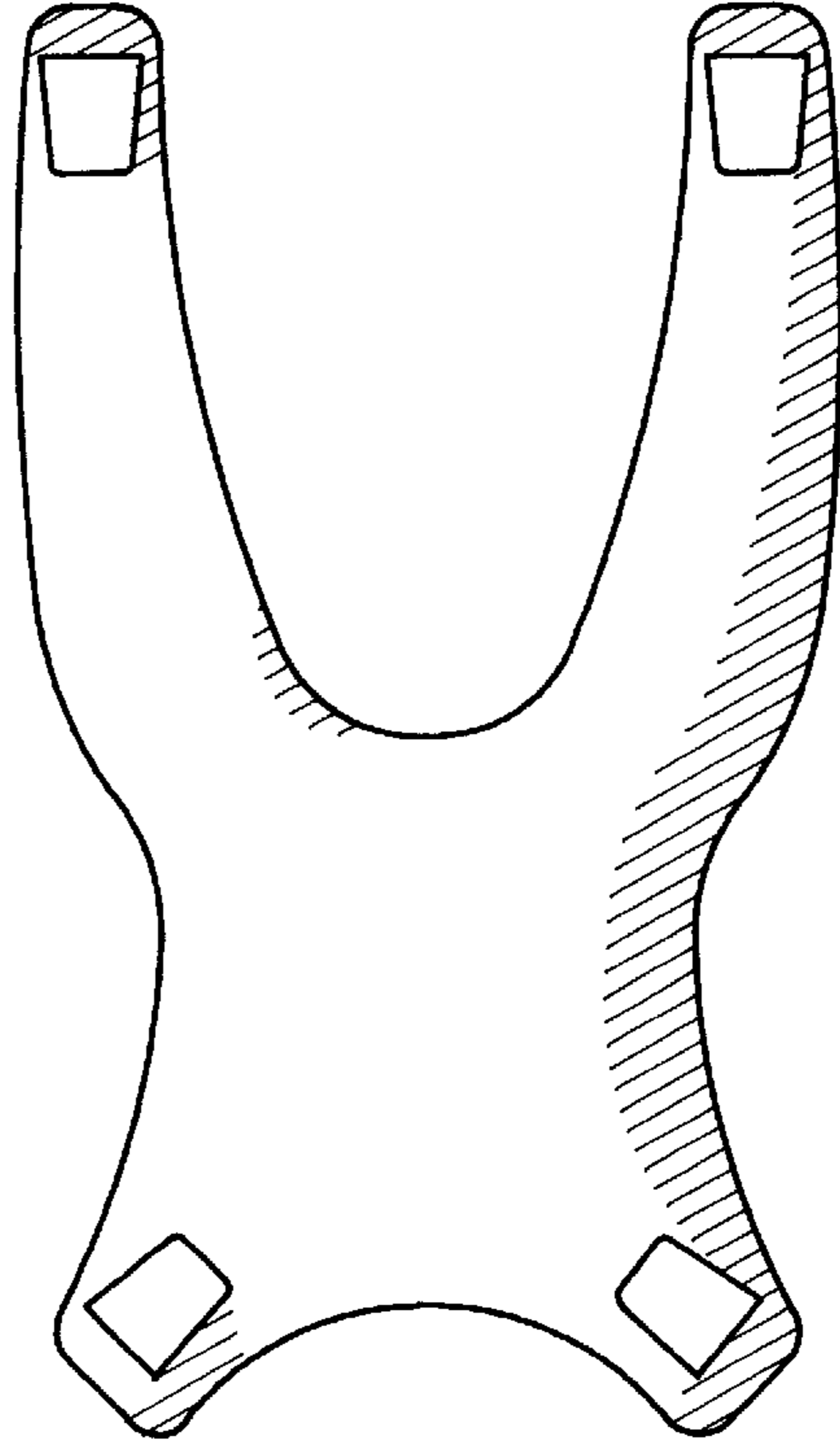


fig. 4



fig. 3

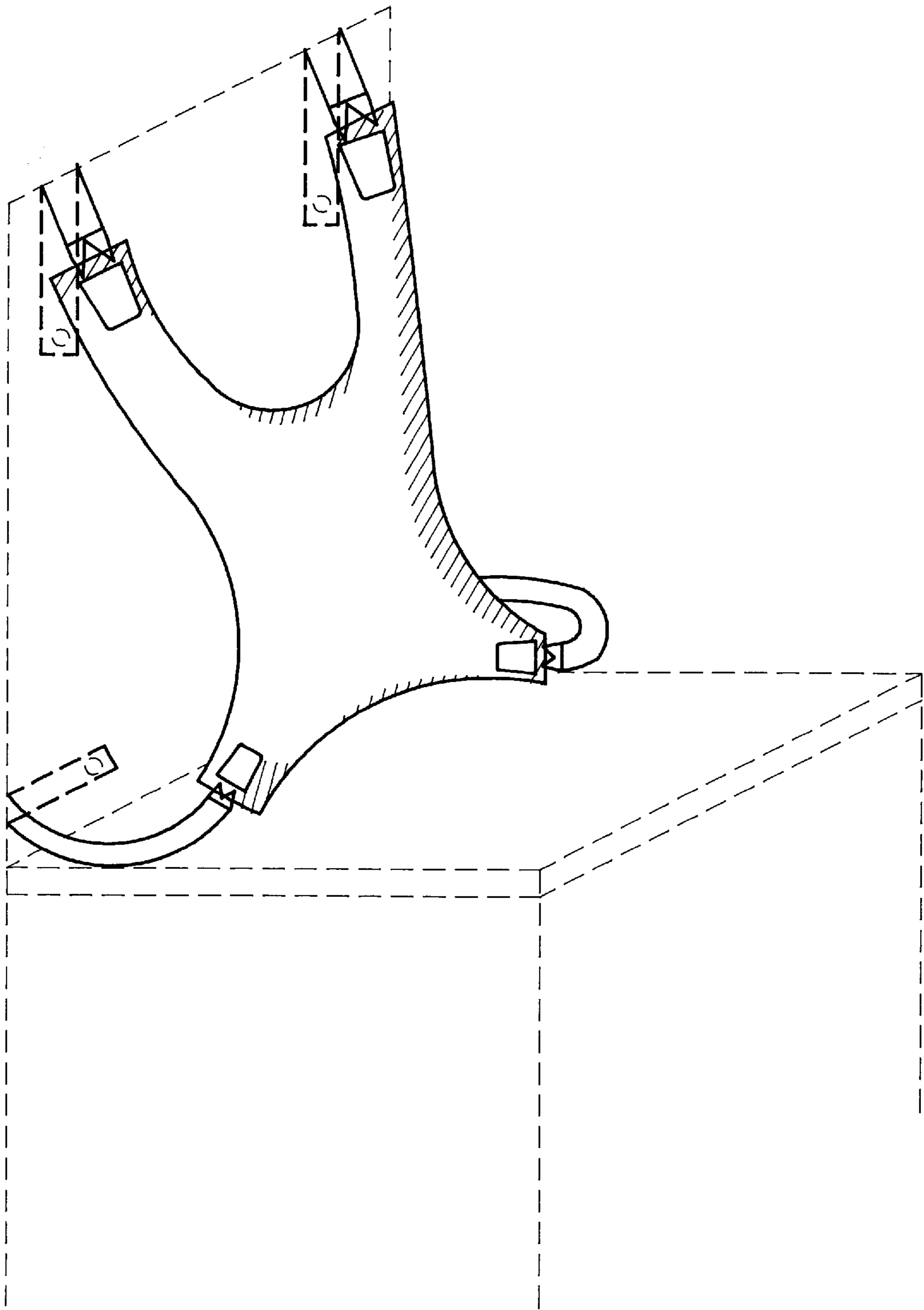


fig. 5