



US00D403120S

# United States Patent [19] Enriquez

[11] **Patent Number: Des. 403,120**

[45] **Date of Patent: \*\*Dec. 22, 1998**

[54] **DENTAL FLOSSING SWORD**

[75] Inventor: **Daniel F. Enriquez**, Corona, Calif.

[73] Assignee: **Plak Smacker, Inc.**, Riverside, Calif.

[\*\*] Term: **14 Years**

[21] Appl. No.: **83,487**

[22] Filed: **Feb. 11, 1998**

[51] **LOC (6) Cl. .... 28-03**

[52] **U.S. Cl. .... D28/68**

[58] **Field of Search .... D28/64; 132/321-329**

[56] **References Cited**

**U.S. PATENT DOCUMENTS**

D. 237,186	10/1975	Morin	.....	D28/64
D. 274,375	6/1984	Tomlin	.....	D28/64
D. 276,088	10/1984	Fong	.....	D28/64
D. 301,072	5/1989	Ross, Jr.	.....	D28/64
D. 309,041	7/1990	Schneider	.....	D28/64
D. 313,716	1/1991	Jacques	.....	D28/64 X
D. 316,617	4/1991	Cheung	.....	D28/64

D. 348,332	6/1994	Haggett-King et al.	.....	D28/64
542,782	7/1895	Simons	.....	132/323
4,041,962	8/1977	Johansson et al.	.....	132/323
5,113,880	5/1992	Honda et al.	.....	132/321
5,560,378	10/1996	Tiphonnet	.....	132/325

*Primary Examiner*—Ted Shooman  
*Assistant Examiner*—C. Tuttle  
*Attorney, Agent, or Firm*—Thomas I. Rozsa; Tony D. Chen

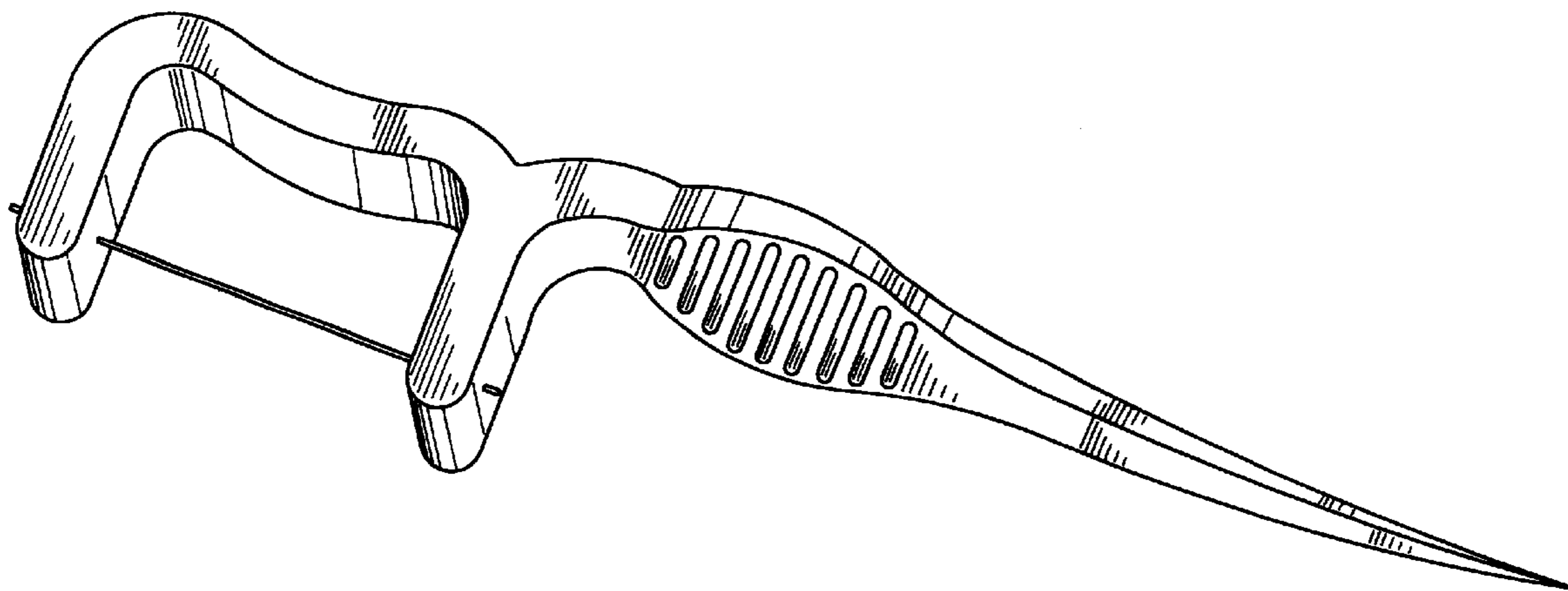
[57] **CLAIM**

The ornamental design for a dental flossing sword, as shown and described.

**DESCRIPTION**

FIG. 1 is a perspective view of the dental flossing sword, showing my new design;  
FIG. 2 is a side elevational view, the other side being a mirror image;  
FIG. 3 is a top plan view;  
FIG. 4 is a bottom plan view;  
FIG. 5 is a front elevational view; and,  
FIG. 6 is a rear elevational view.

**1 Claim, 1 Drawing Sheet**



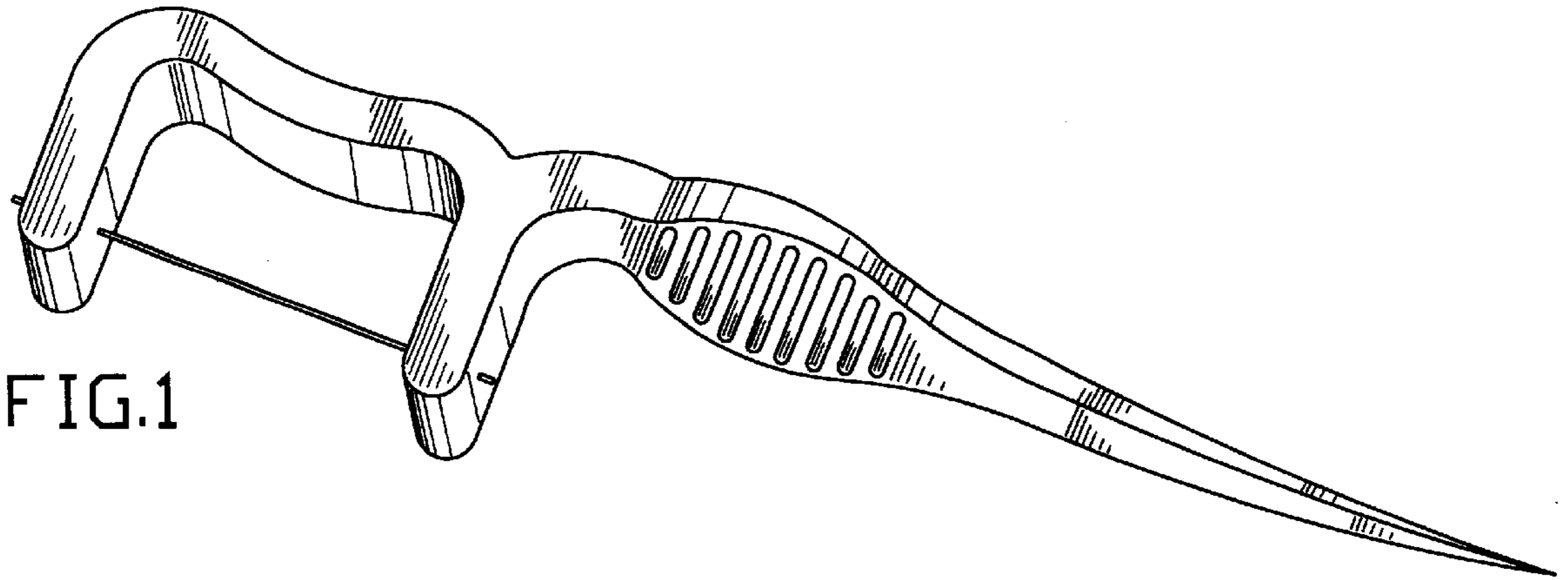


FIG.1

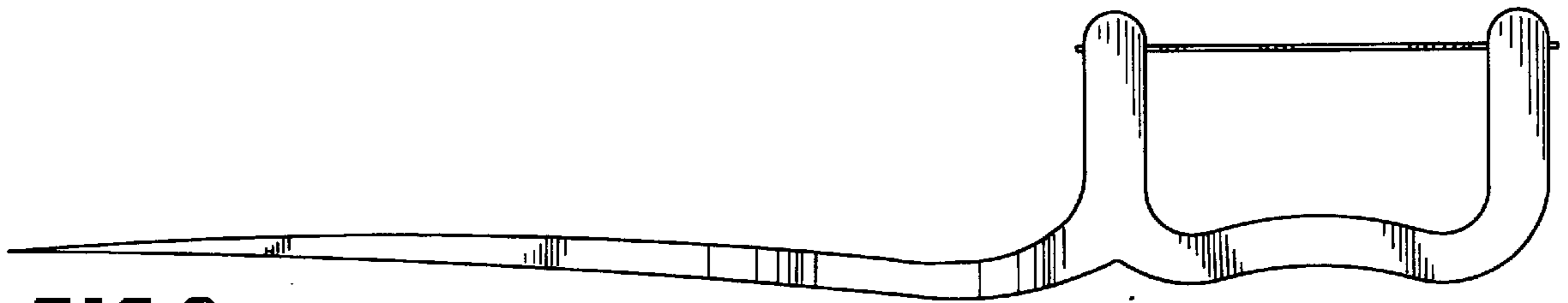


FIG.2

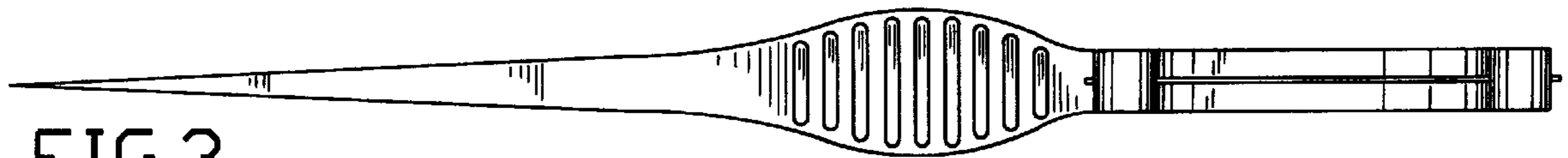


FIG.3

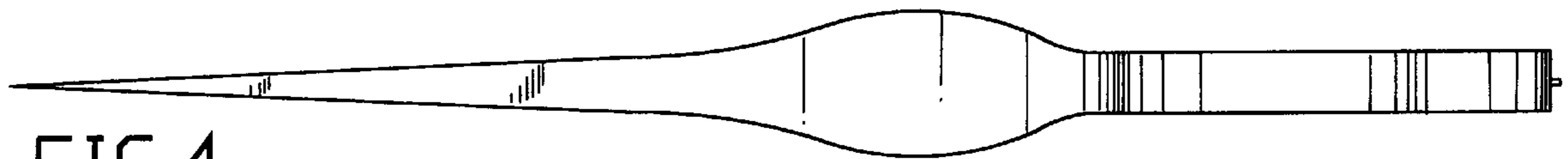


FIG.4

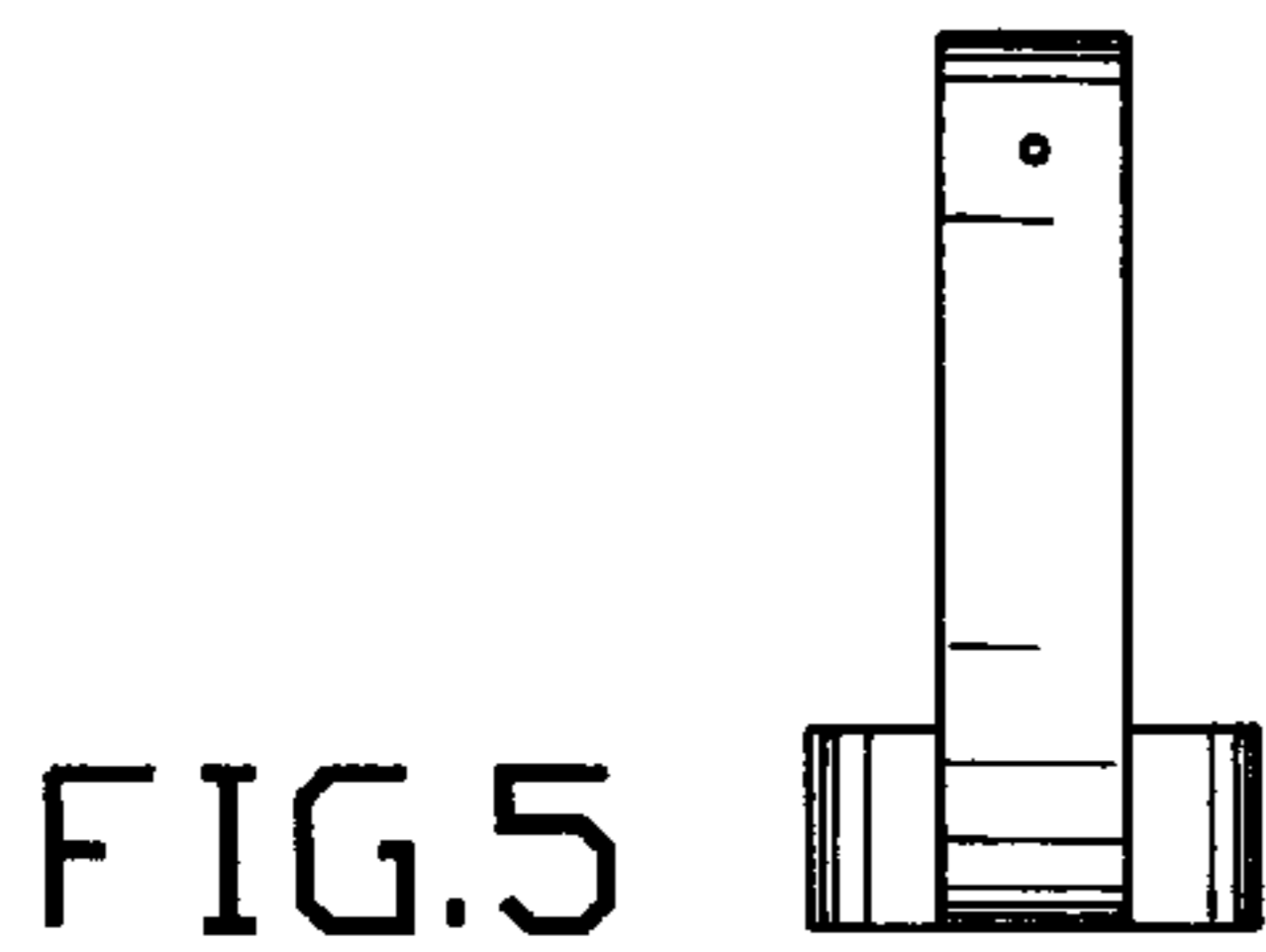


FIG.5

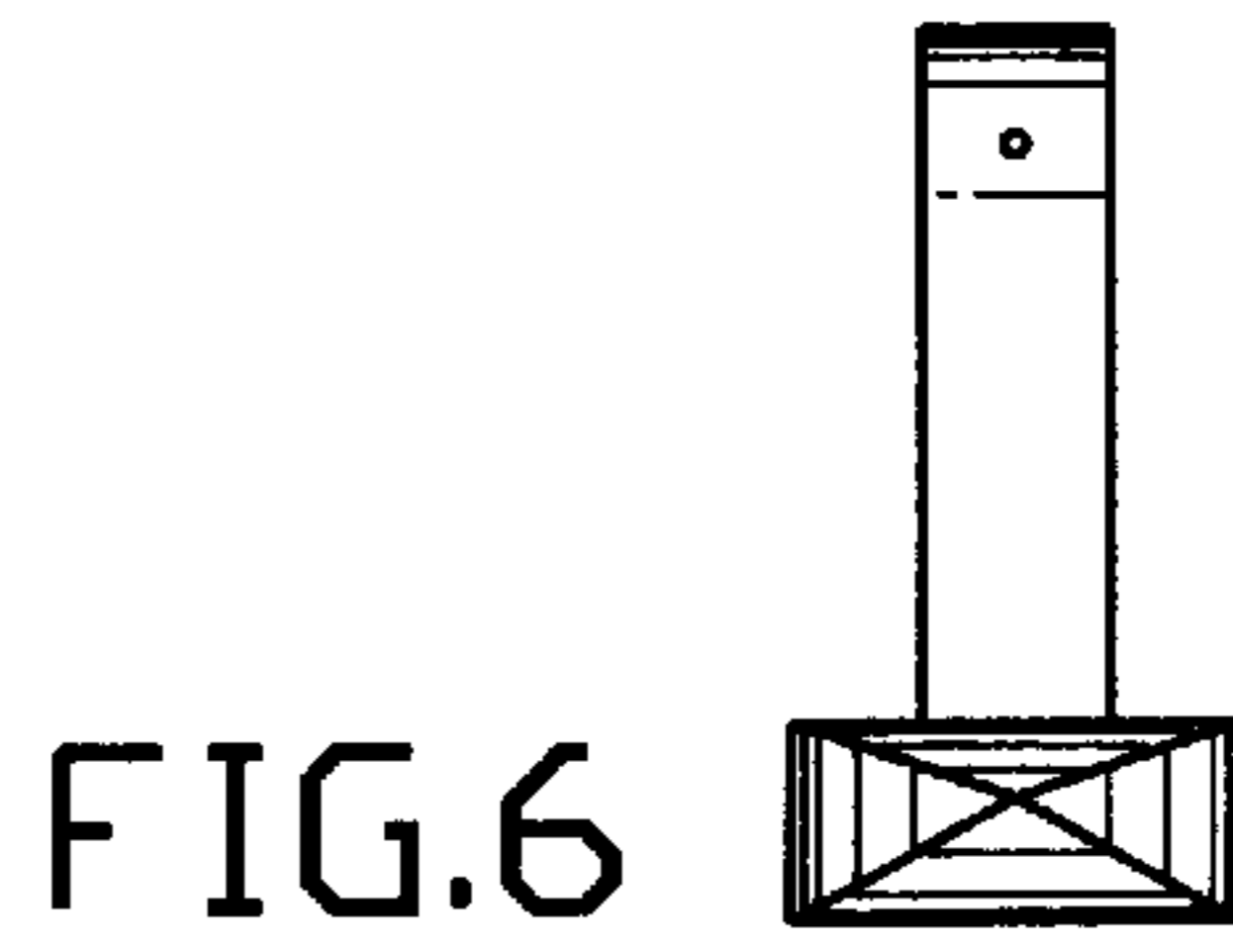


FIG.6