

US00D403108S

United States Patent [19] Granito

[11] **Patent Number: Des. 403,108**

[45] **Date of Patent: **Dec. 22, 1998**

[54] **COMB CUTTER**

3,391,459 7/1968 Rollo D28/52 X
3,638,665 2/1972 Staffas, Sr. 132/213.1 X
3,794,050 2/1974 Gallanis et al. 132/119.1

[76] Inventor: **Mario Granito**, 40 Hill Road,
Abingdon, Oxfordshire, United
Kingdom, OX14 5NS

[**] Term: **14 Years**

[21] Appl. No.: **42,993**

[22] Filed: **Jul. 20, 1995**

[30] **Foreign Application Priority Data**

Jan. 27, 1995 [GB] United Kingdom 2044808

[51] **LOC (6) Cl.** **28-03**

[52] **U.S. Cl.** **D28/25**

[58] **Field of Search** D28/25, 30, 44-46,
D28/52; 132/212, 213.1, 125, 147-150;
30/30, 31, 32, 34.05, 38, 41, 42, 85, 90

[56] **References Cited**

U.S. PATENT DOCUMENTS

D. 159,994 9/1950 Lee D28/52
D. 232,874 9/1974 Koblick D28/25 X
D. 252,826 9/1979 Bakewell D28/30 X
2,650,421 9/1953 Wietzel 30/85 X
3,338,657 8/1967 Ristorcelli 132/148 X

FOREIGN PATENT DOCUMENTS

604652 5/1926 France 132/163
2400988 7/1974 Germany 132/219

Primary Examiner—Ted Shooman
Assistant Examiner—C. Tuttle
Attorney, Agent, or Firm—Davis and Bujold

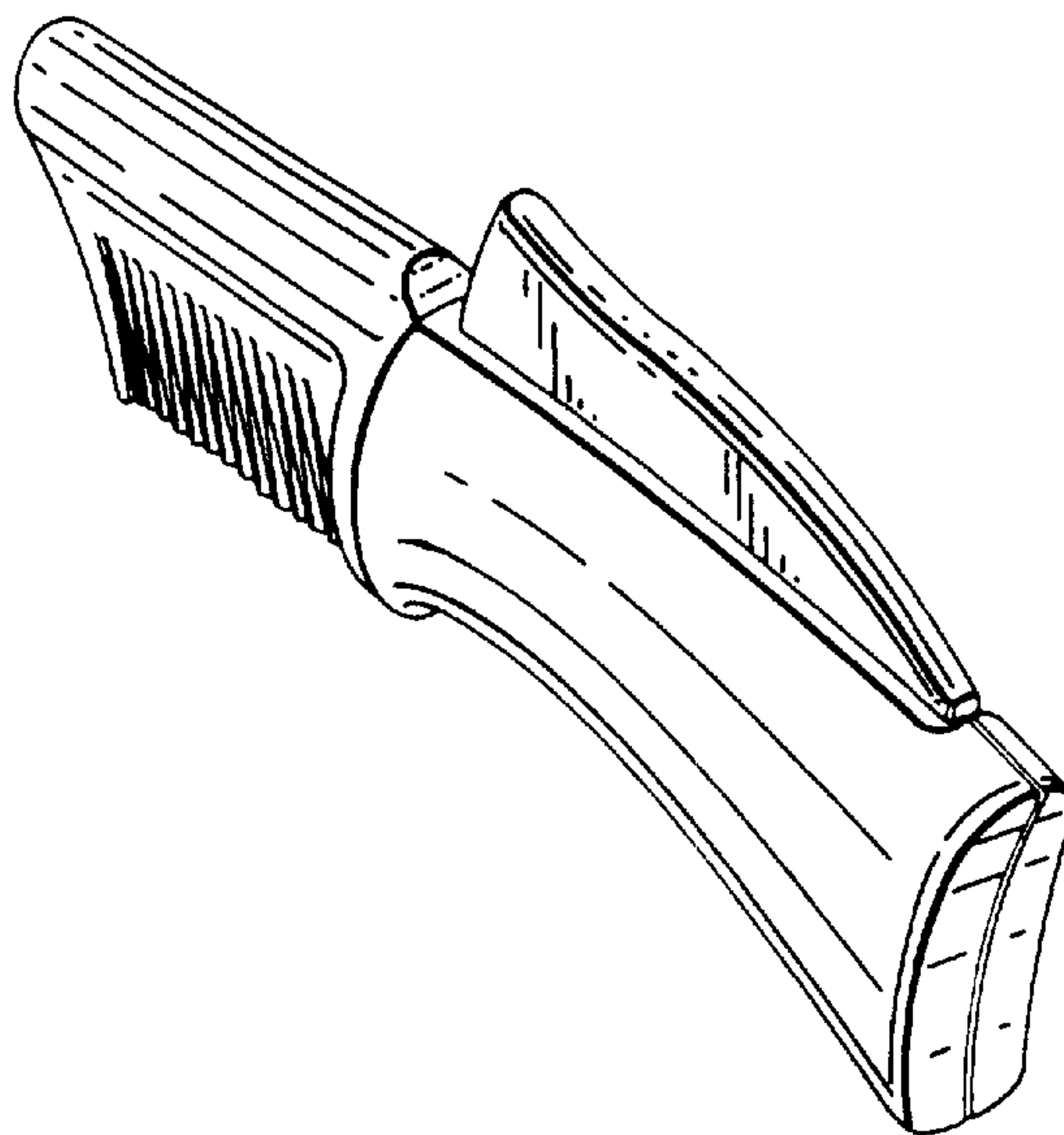
[57] **CLAIM**

The ornamental design for a comb cutter, as shown and described.

DESCRIPTION

FIG. 1 is a right side elevation view of a comb cutter embodying my new design, with the cover on, the left side elevational view being a mirror image thereof; FIG. 2 is a top plan view thereof; FIG. 3 is a bottom plan view thereof; FIG. 4 is a front elevational view thereof; FIG. 5 is a rear elevational view thereof; and, FIG. 6 is a perspective view thereof.

1 Claim, 2 Drawing Sheets



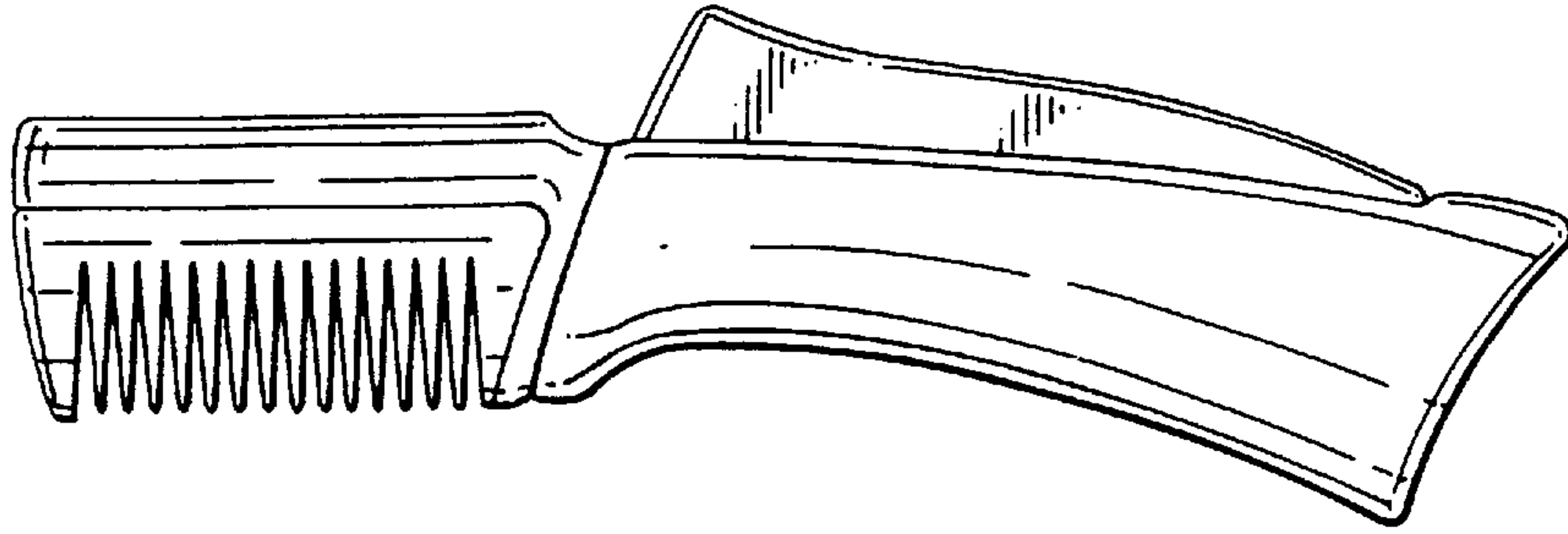


FIG. 1.

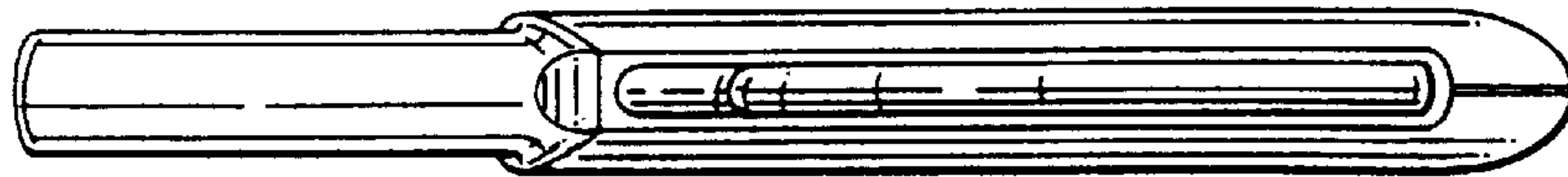


FIG. 2.

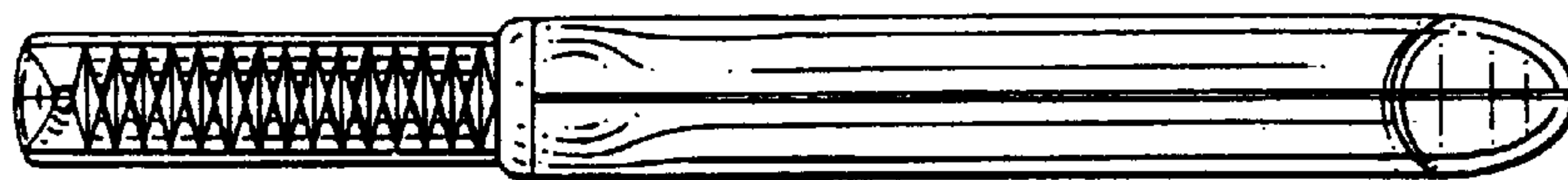


FIG. 3.

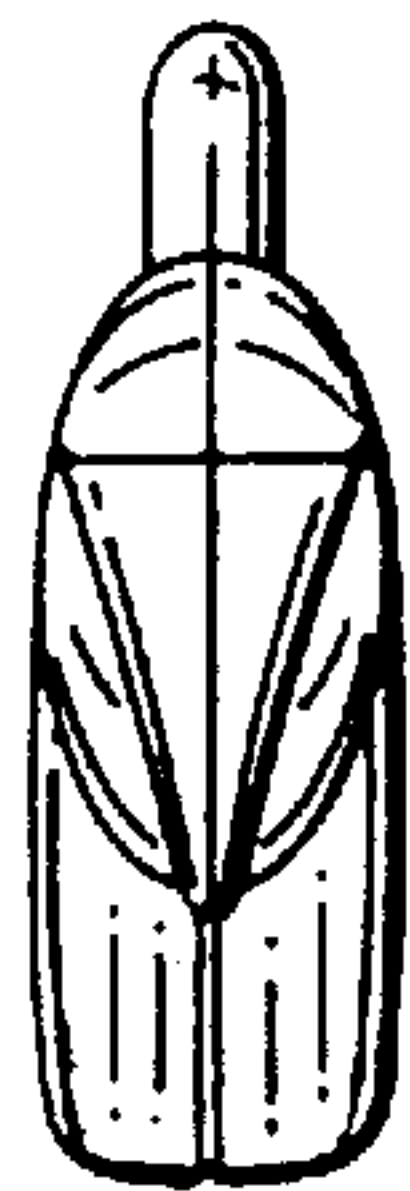


FIG. 4.



FIG. 5.

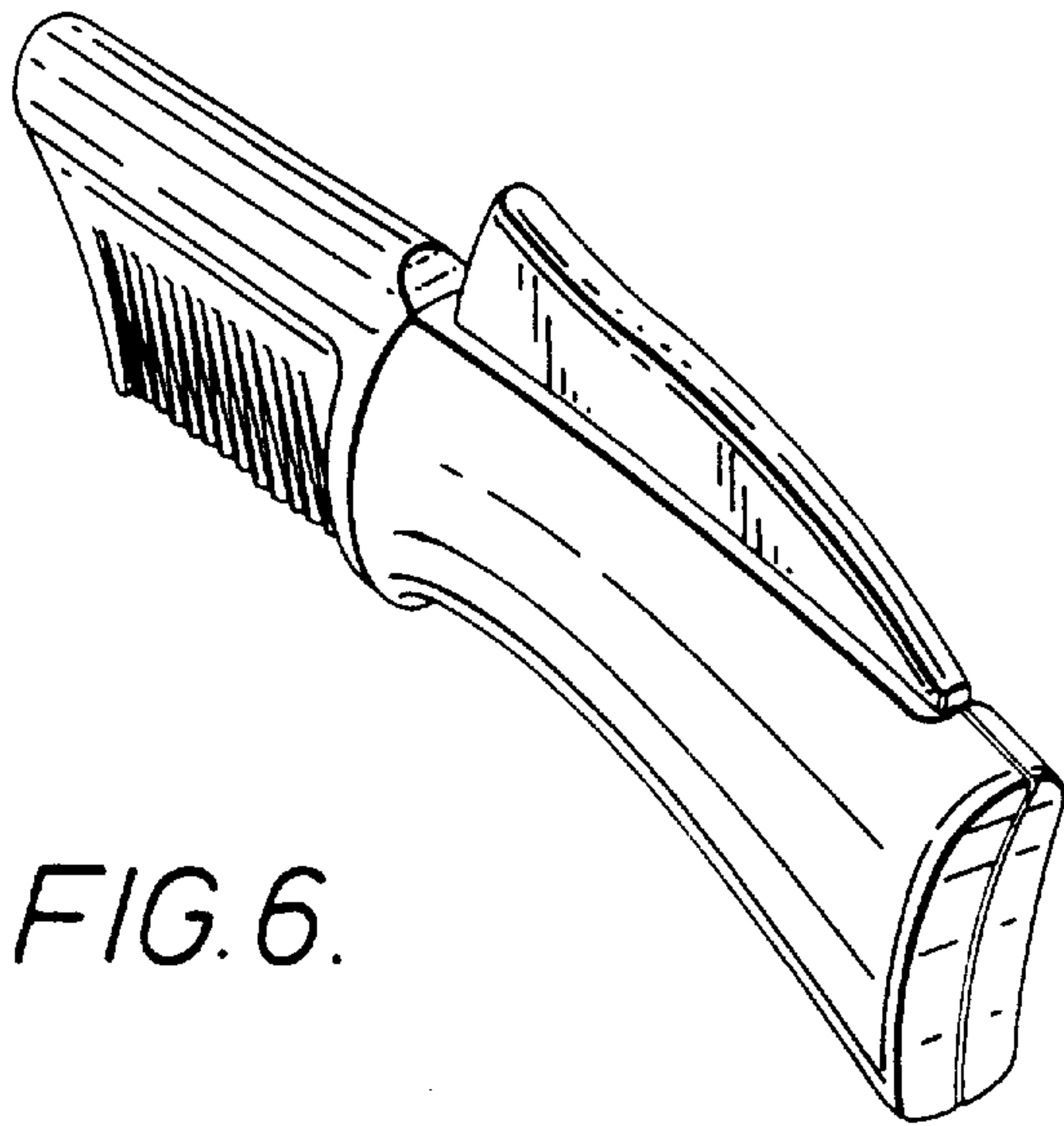


FIG. 6.