



US00D403107S

United States Patent [19]

Ness et al.

[11] Patent Number: **Des. 403,107**

[45] Date of Patent: ****Dec. 22, 1998**

[54] **INTEGRAL PLASTIC HOLDER FOR ROTATIVELY SUPPORTING A LOTION-APPLYING SPONGE ROLLER**

5,341,538 8/1994 Banome 15/210.1
5,353,819 10/1994 Kahn et al. 132/320
5,419,646 5/1995 Taylor 401/21

[76] Inventors: **Margaret A. Ness**, 1778 Ala Moana, Honolulu, Hi. 96815; **Gary C. Knight**, 737 Bishop St., Honolulu, Hi. 96813

[**] Term: **14 Years**

[21] Appl. No.: **66,907**

[22] Filed: **Feb. 24, 1997**

[51] **LOC (6) Cl.** **28-02**

[52] **U.S. Cl.** **D28/7; D4/138; D8/107**

[58] **Field of Search** **D28/7, 63; D4/122, D4/123, 127, 129, 137, 138; D8/DIG. 4, DIG. 7; D7/394, 395; D32/40, 50-52; 15/104.002, 230.11, 143.1, 210.1, 104.94; 132/320; 16/110 R, 110 A, 114 R, 114 A, DIG. 12, DIG. 19**

[56] References Cited

U.S. PATENT DOCUMENTS

D. 12,582	11/1881	Berger	D7/395
D. 272,290	1/1984	Wilson	D32/51
D. 284,634	7/1986	Sumikama	D7/395
D. 299,975	2/1989	Boyer	D28/7
D. 300,957	5/1989	Moore	D28/7
D. 300,959	5/1989	Gray	D28/7
D. 304,406	11/1989	Ancona	D7/395
D. 306,524	3/1990	Marshall	D4/122
D. 308,734	6/1990	Markovich et al.	D28/7
3,128,493	4/1964	Paul	401/196
3,421,170	1/1969	Thomas, Jr.	15/104.002
3,886,621	6/1975	Welsh	15/230.11
4,557,011	12/1985	Sartori	15/104.002
4,571,106	2/1986	Scuderi	401/209
4,869,612	9/1989	Mooney et al.	401/130

FOREIGN PATENT DOCUMENTS

657460 9/1951 United Kingdom 15/244.1

Primary Examiner—Ted Shooman
Assistant Examiner—C. Tuttle
Attorney, Agent, or Firm—Norman B. Rainer

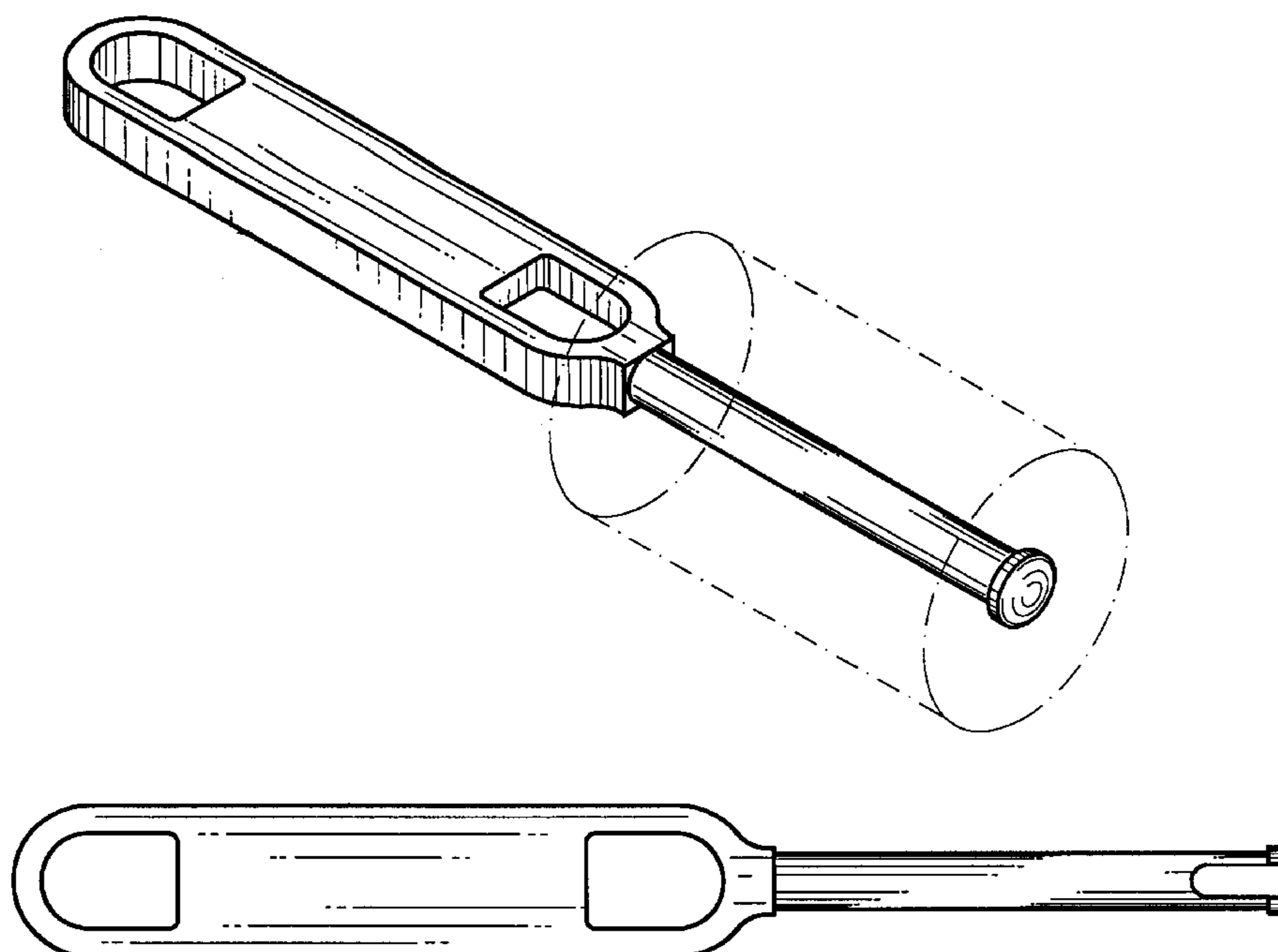
[57] CLAIM

The ornamental design for an integral plastic holder for rotatively supporting a lotion-applying sponge roller, as shown and described.

DESCRIPTION

FIG. 1 is a top and front perspective view of an integral plastic holder for rotatively supporting a lotion-applying sponge roller, showing our new design, and shown in operative association with a sponge roller illustrated in phantom outline;
FIG. 2 is a top plan view thereof, the unshown bottom being of identical appearance;
FIG. 3 is a side view thereof, the unshown opposite side being of identical appearance;
FIG. 4 is a front end view thereof;
FIG. 5 is a top plan view of an alternative embodiment of the invention; and,
FIG. 6 is a front end view of the alternative embodiment of FIG. 5.
The undisclosed sides of the second embodiment are identical to the first disclosed embodiment except for the appearance of the notched front end.
The broken line showing of the roller is for illustrative purposes only and forms no part of the claimed design.

1 Claim, 1 Drawing Sheet



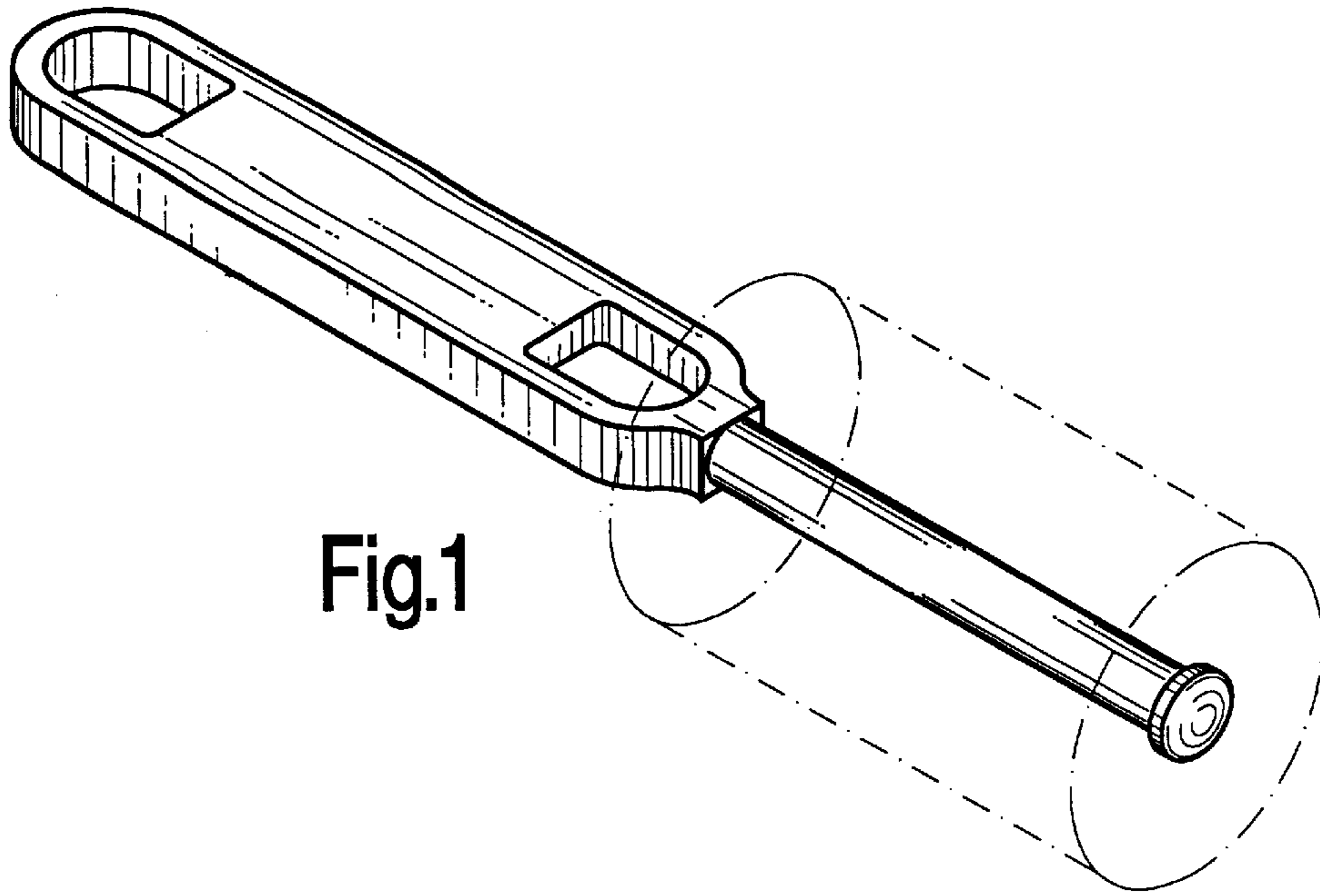


Fig.1

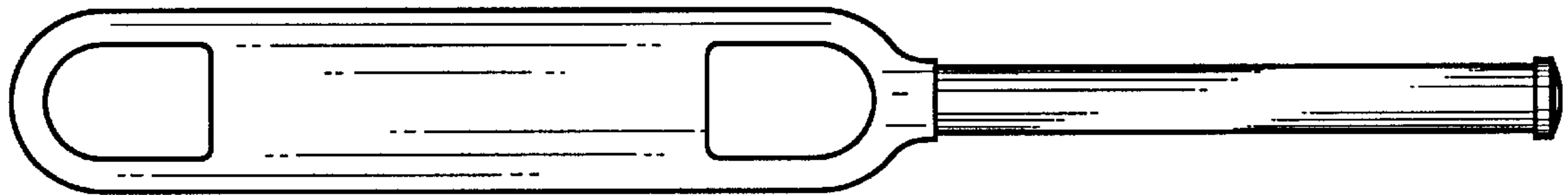


Fig.2

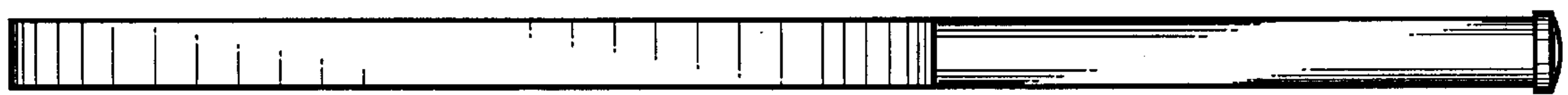


Fig.3



Fig.4

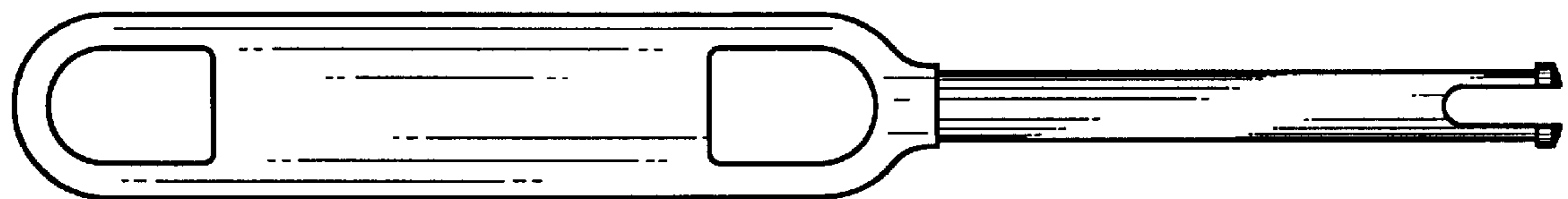


Fig.5



Fig.6