



US00D403106S

United States Patent [19]

[11] **Patent Number: Des. 403,106**

Barmes

[45] **Date of Patent: **Dec. 22, 1998**

[54] **TOBACCO HOOKAH**

[57] **CLAIM**

[75] Inventor: **Marvin L. Barmes**, Vincennes, Ind.

I claim the ornamental design for a tobacco hookah, as shown and described.

[73] Assignee: **Sandbar Wholesale Trust**, Vincennes, Ind.

DESCRIPTION

[**] Term: **14 Years**

FIG. 1 is a side elevation view of a first embodiment of a tobacco hookah constructed in accordance with my design; FIG. 2 is a top plan view of the tobacco hookah shown in FIG. 1;

[21] Appl. No.: **63,667**

FIG. 3 is a bottom plan view of the tobacco hookah shown in FIG. 1;

[22] Filed: **Dec. 12, 1996**

FIG. 4 is a side elevation view of the left side of the tobacco hookah shown in FIG. 1;

[51] **LOC (6) Cl.** **27-02**

[52] **U.S. Cl.** **D27/162**

[58] **Field of Search** **D27/162; 131/330, 131/173**

FIG. 5 is a side elevation view of the back side of the tobacco hookah shown in FIG. 1;

[56] **References Cited**

U.S. PATENT DOCUMENTS

D. 349,780 8/1994 Heine D27/162

D. 358,229 5/1995 Heine D27/162

FIG. 6 is a side elevation view of the right side of the tobacco hookah shown in FIG. 1;

OTHER PUBLICATIONS

Large Round 4-Way Hooka, Odyssey Glass Catalog, McCall Assoc. Distribution, Nov. 1977.

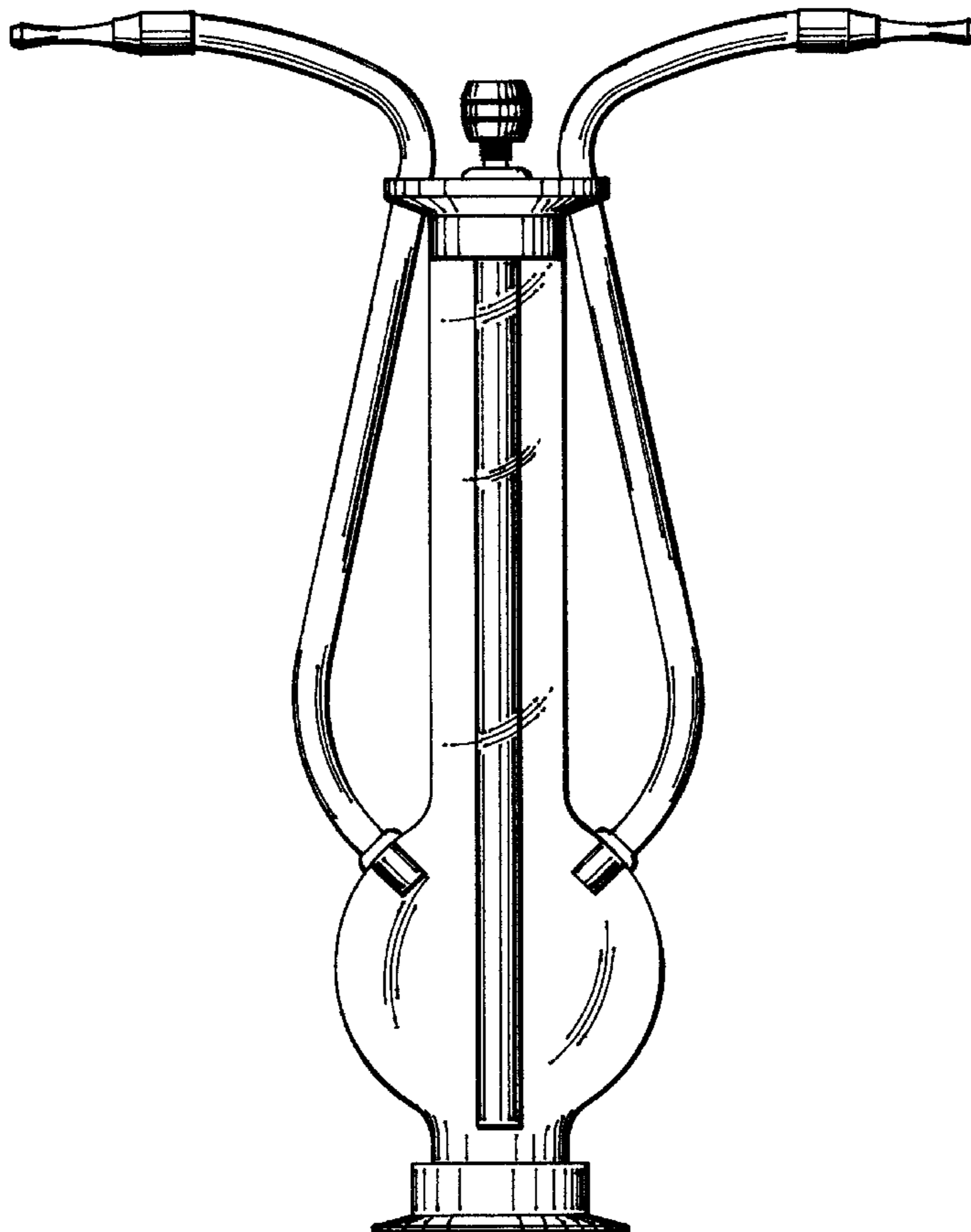
FIG. 7 is a side elevation view of a second embodiment of a tobacco hookah constructed in accordance with my design, the appearance of the tobacco hookah from all four sides being identical;

FIG. 8 is a top plan view of the tobacco hookah shown in FIG. 7; and,

Primary Examiner—Susan J. Lucas
Assistant Examiner—Jennifer Regrster
Attorney, Agent, or Firm—Locke Reynolds

FIG. 9 is a bottom plan view of the tobacco hookah shown in FIG. 7.

1 Claim, 4 Drawing Sheets



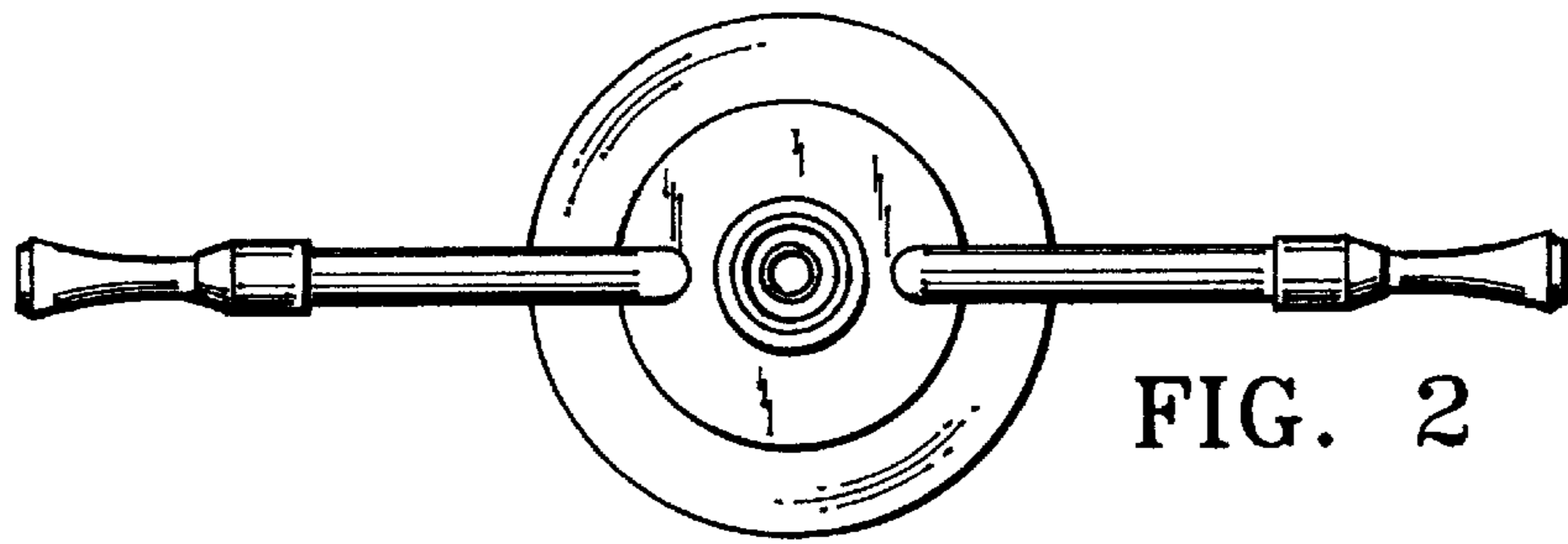


FIG. 2

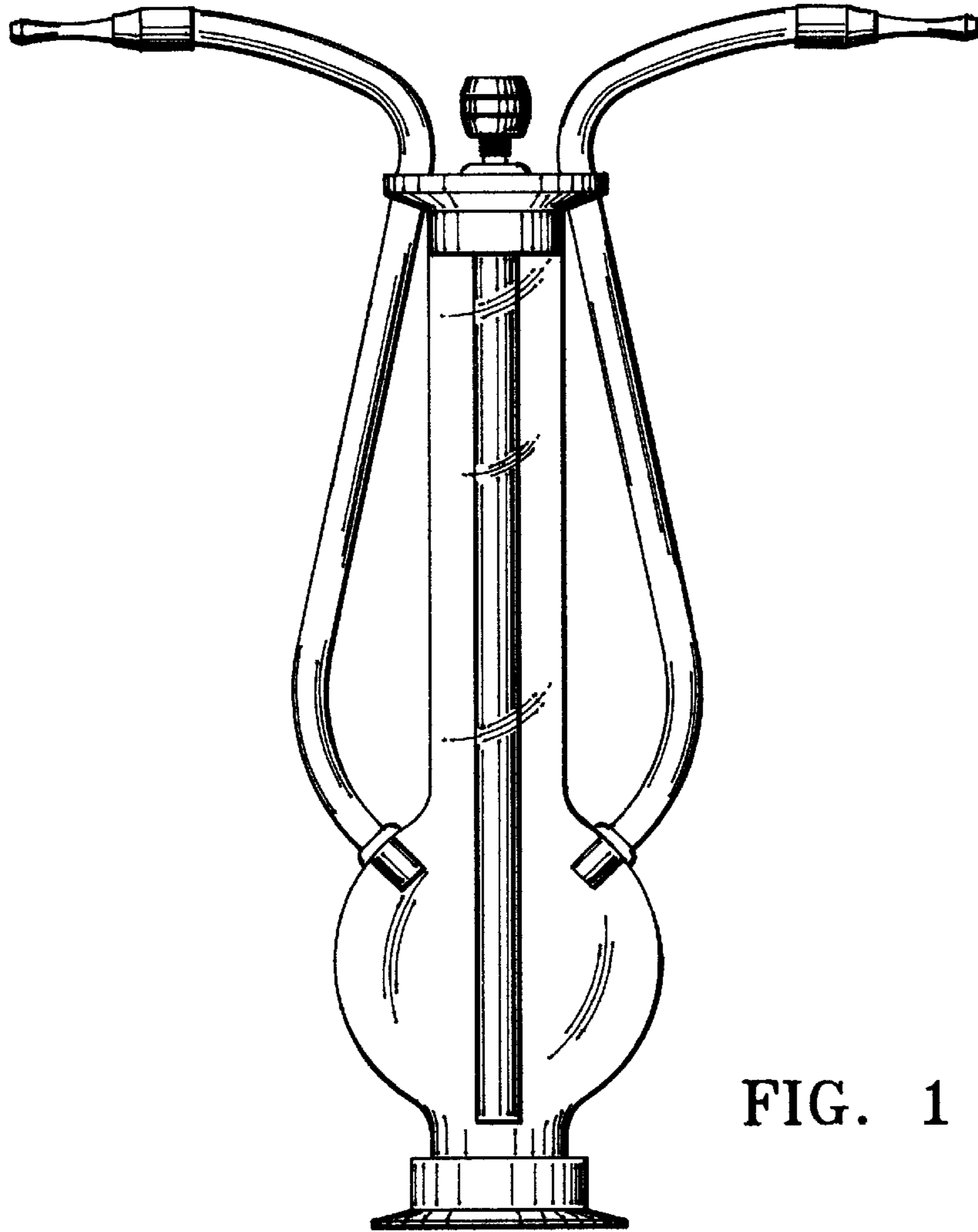


FIG. 1

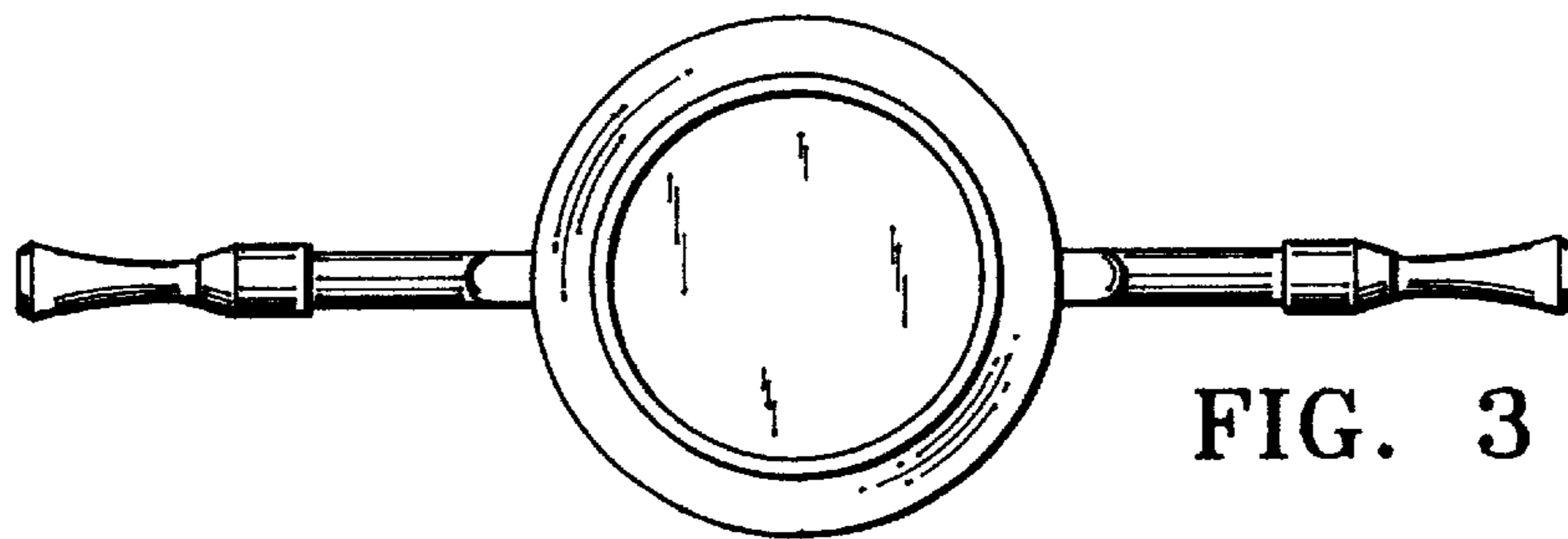


FIG. 3

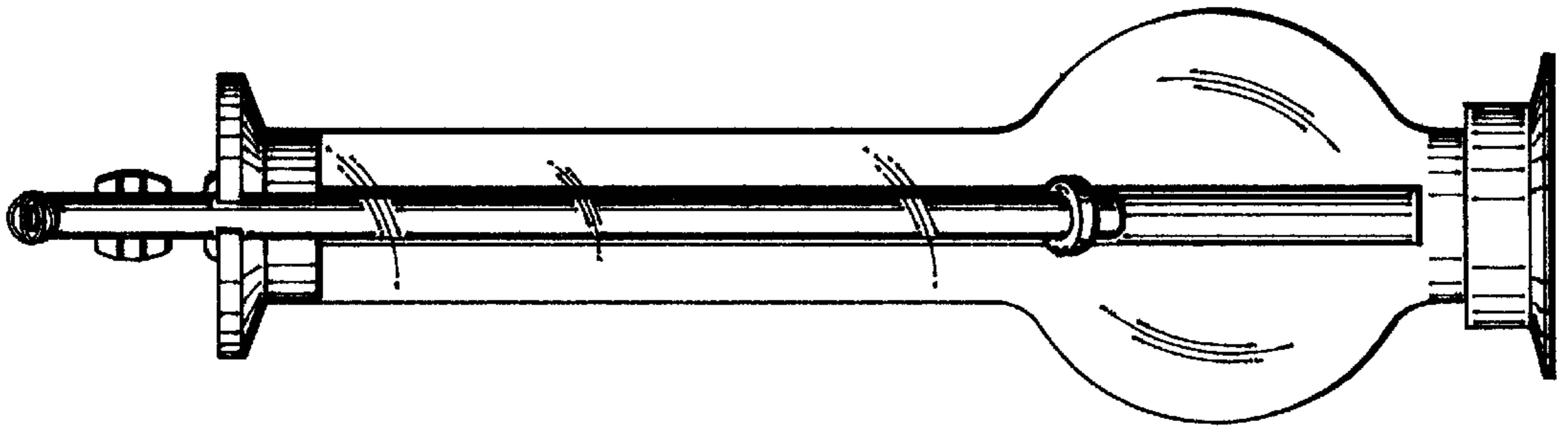


FIG. 6

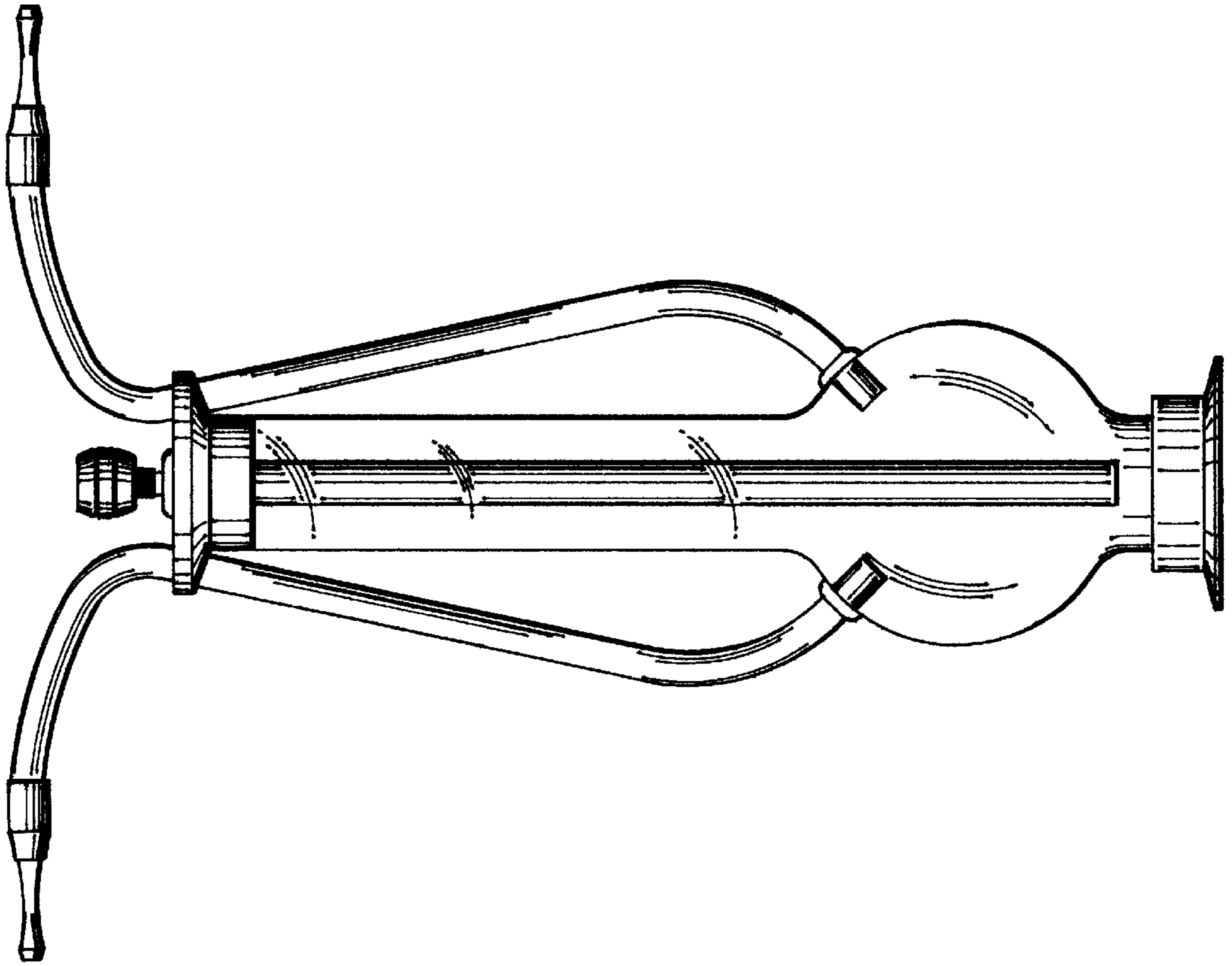


FIG. 5

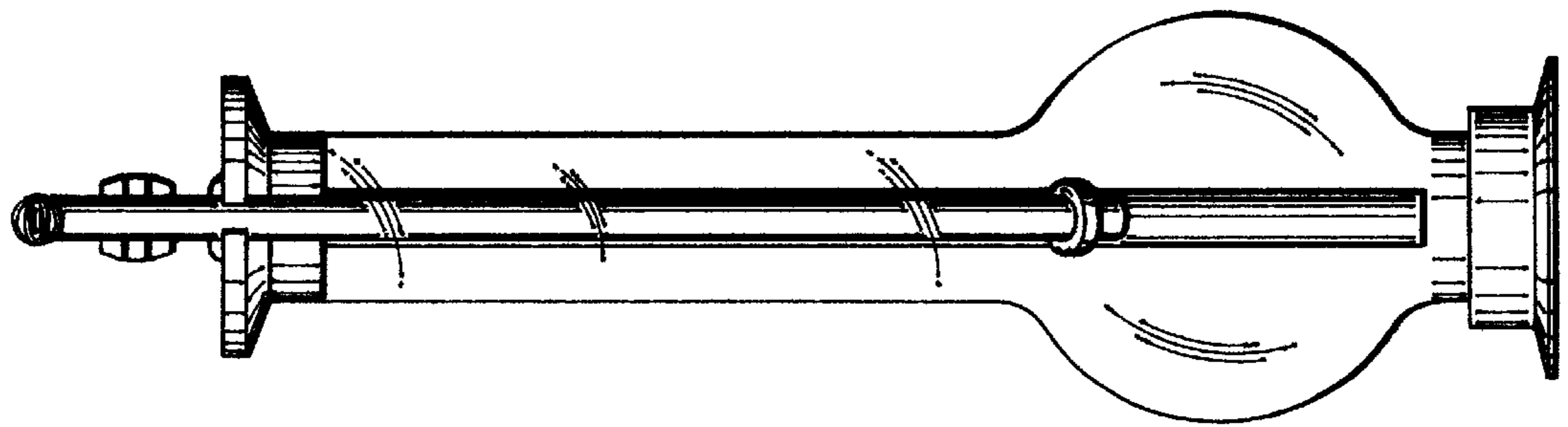


FIG. 4

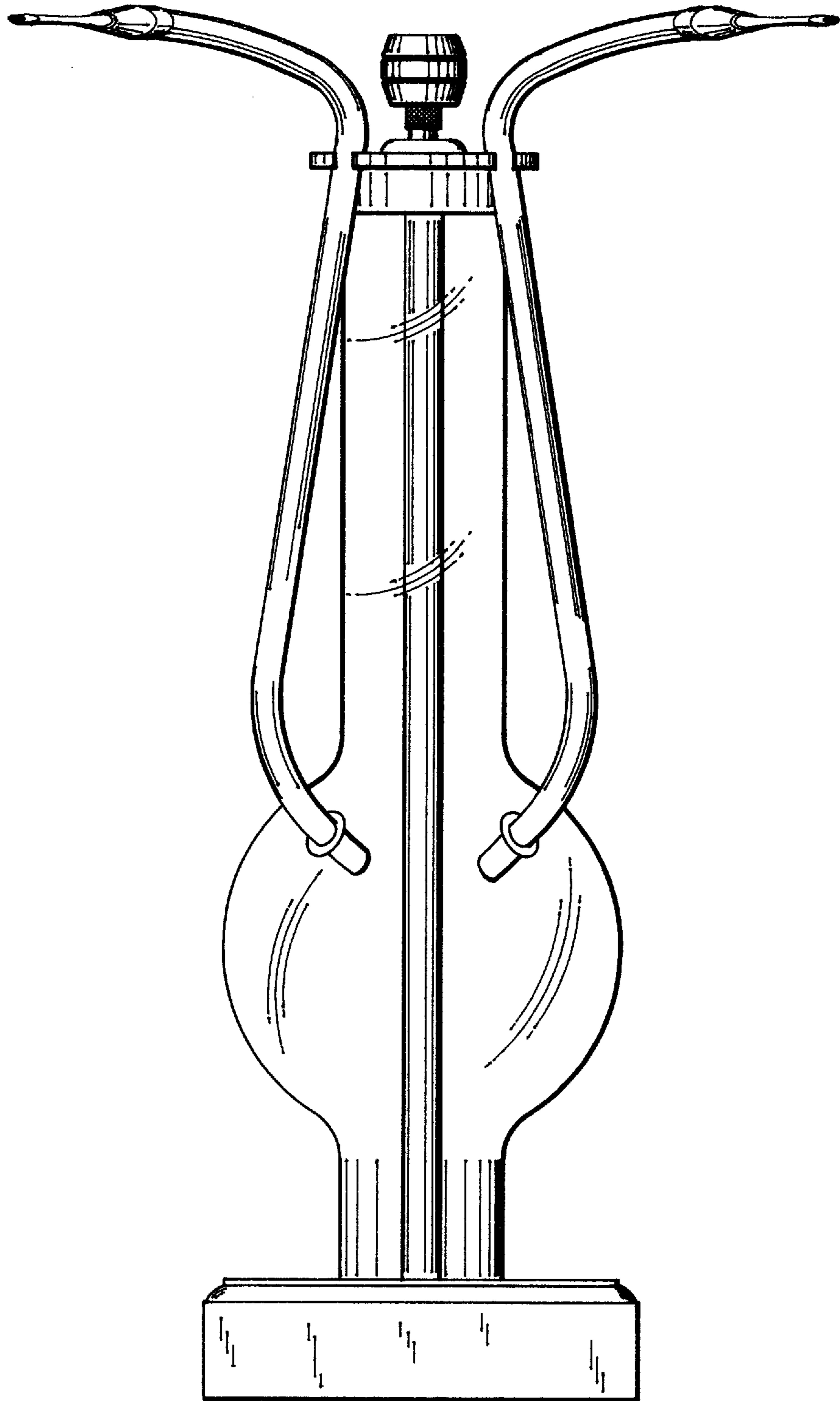


FIG. 7

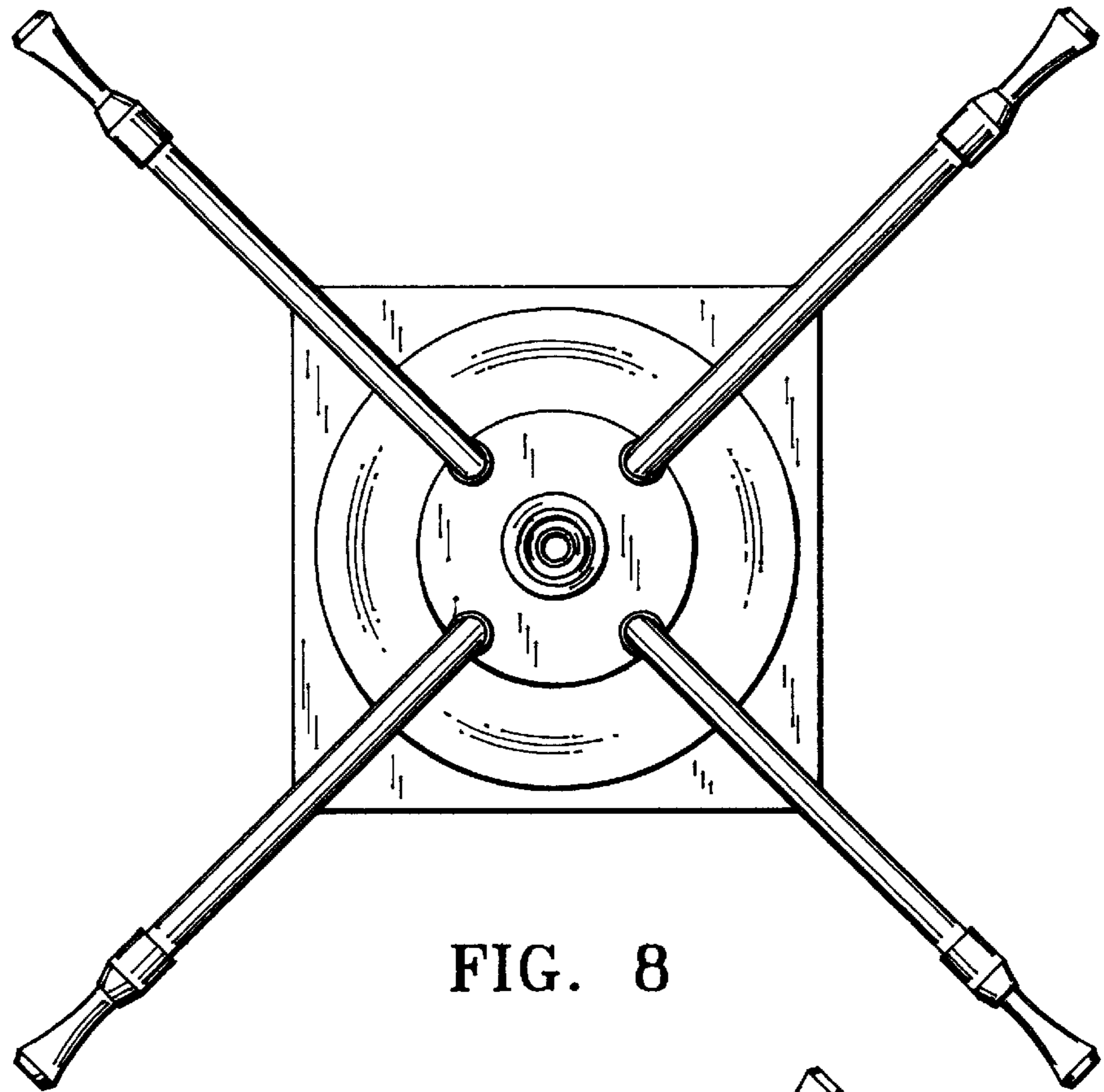


FIG. 8

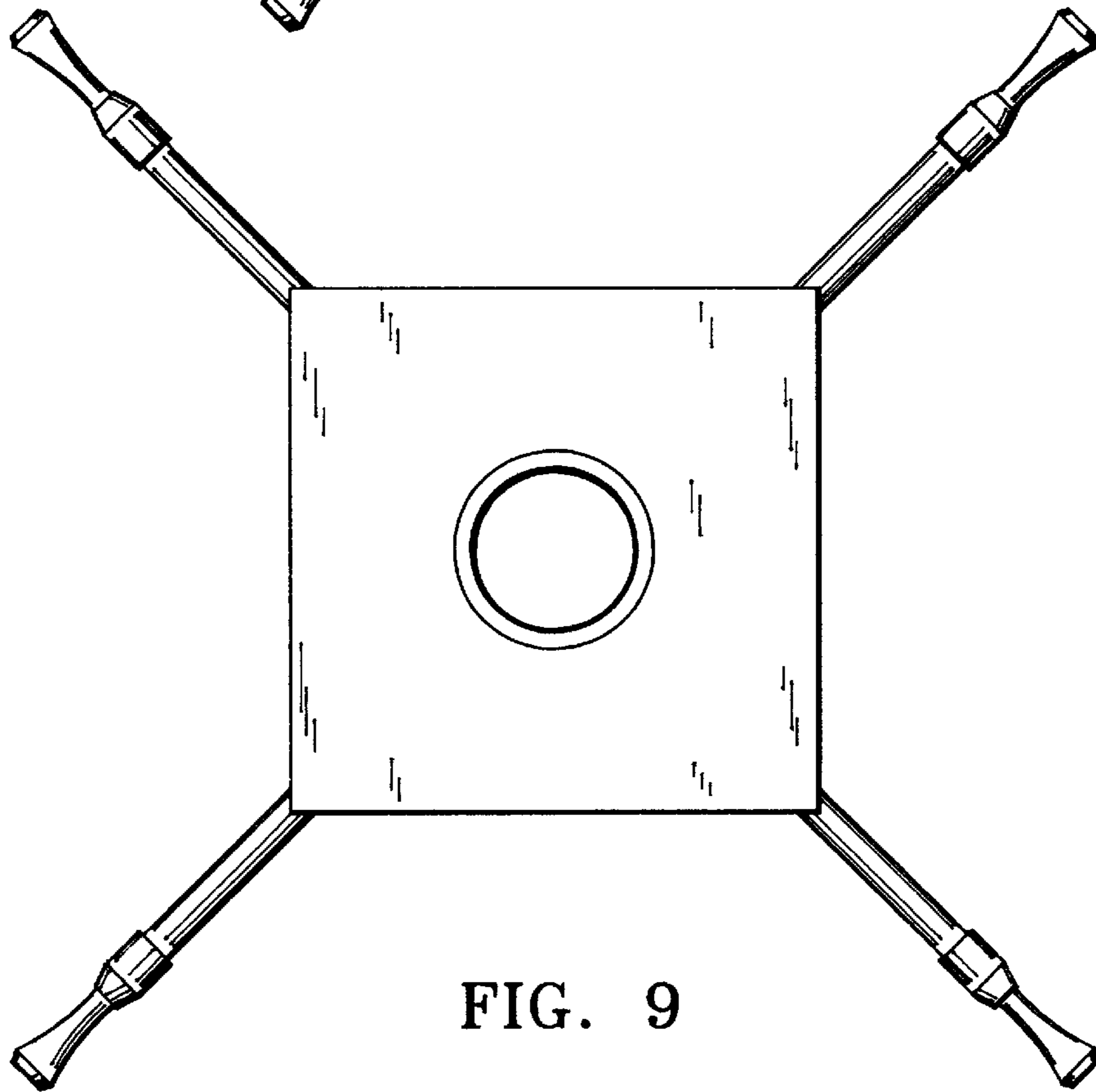


FIG. 9