



US00D403100S

# United States Patent [19]

[11] **Patent Number: Des. 403,100**

**Bartasevich et al.**

[45] **Date of Patent: \*\*Dec. 22, 1998**

[54] **LAMPHOLDER ASSEMBLY WITH INTEGRAL BALLAST FOR A STANDING LAMP**

4,638,413 1/1987 Tarlow ..... 362/414 X  
5,202,607 4/1993 Broyer et al. .... 315/58  
5,424,610 6/1995 Pelton et al. .... 315/58

[75] Inventors: **William E. Bartasevich**, Kent; **John J. Andrisin, III**, Akron; **John J. McEllen**, Chagrin Falls, all of Ohio

*Primary Examiner*—Susan J. Lucas  
*Attorney, Agent, or Firm*—Rogers & Killeen

[73] Assignee: **Advanced Lighting Technologies, Inc.**, Solon, Ohio

[57] **CLAIM**

[\*\*] Term: **14 Years**

The ornamental design for the lampholder assembly with integral ballast for a standing lamp, as shown.

[21] Appl. No.: **78,976**

**DESCRIPTION**

[22] Filed: **Nov. 5, 1997**

FIG. 1 is a perspective view;

[51] **LOC (6) Cl.** ..... **26-99**

FIG. 2 is a top plan view;

[52] **U.S. Cl.** ..... **D26/113; D26/138**

FIG. 3 is a bottom view;

[58] **Field of Search** ..... D26/24, 61, 63, D26/65, 138, 140, 93, 102-112; 362/269, 275, 285, 287, 418, 419, 427, 428, 430, 226, 410-414, 401, 402; 315/56, 58, 362

FIG. 4 is a front view;

FIG. 5 is a right-side view;

FIG. 6 is a rear view; and,

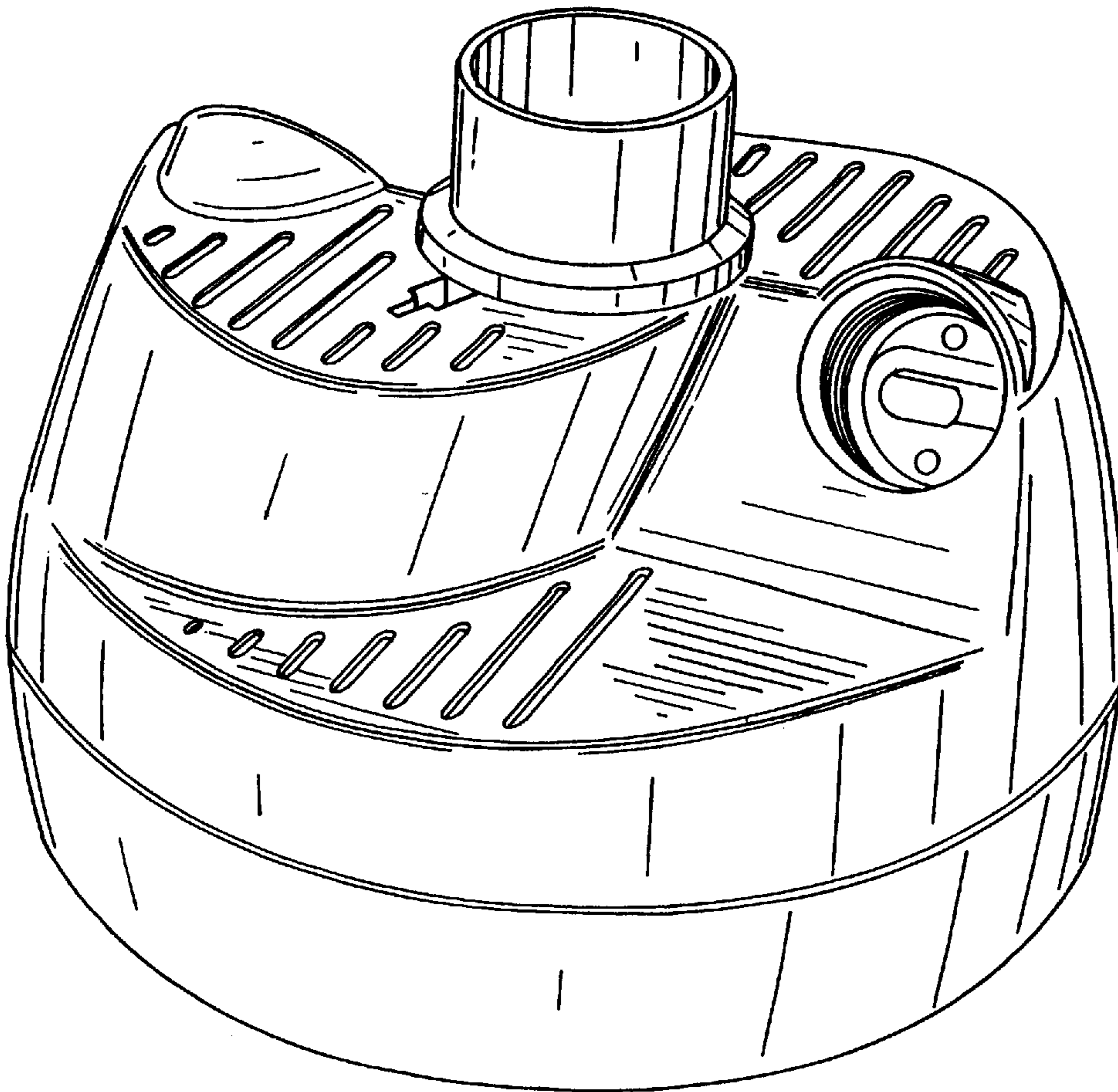
FIG. 7 is a left-side view.

[56] **References Cited**

**U.S. PATENT DOCUMENTS**

2,680,841 6/1954 Boutelle ..... 362/405 X

**1 Claim, 7 Drawing Sheets**



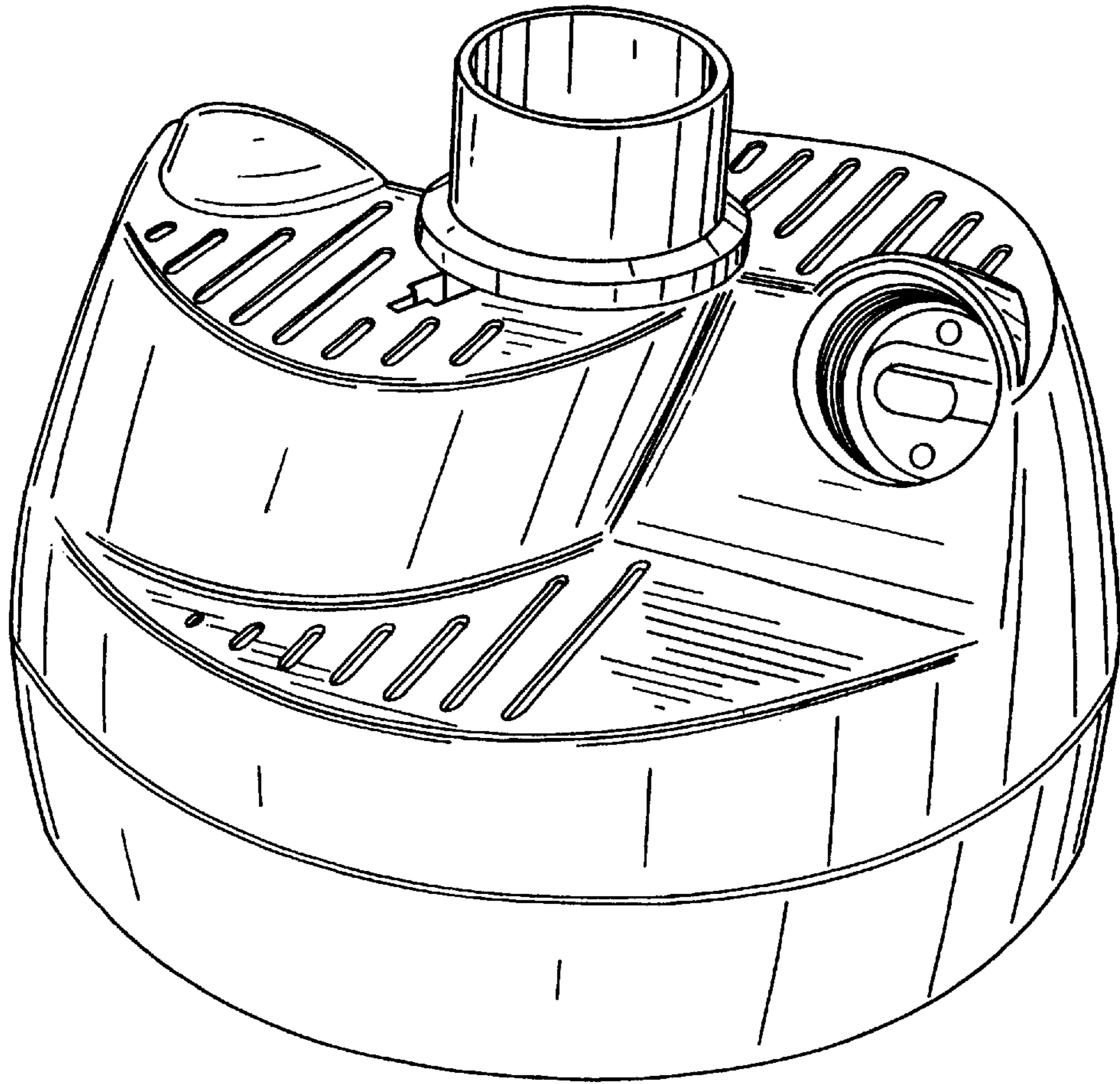


FIG. 1

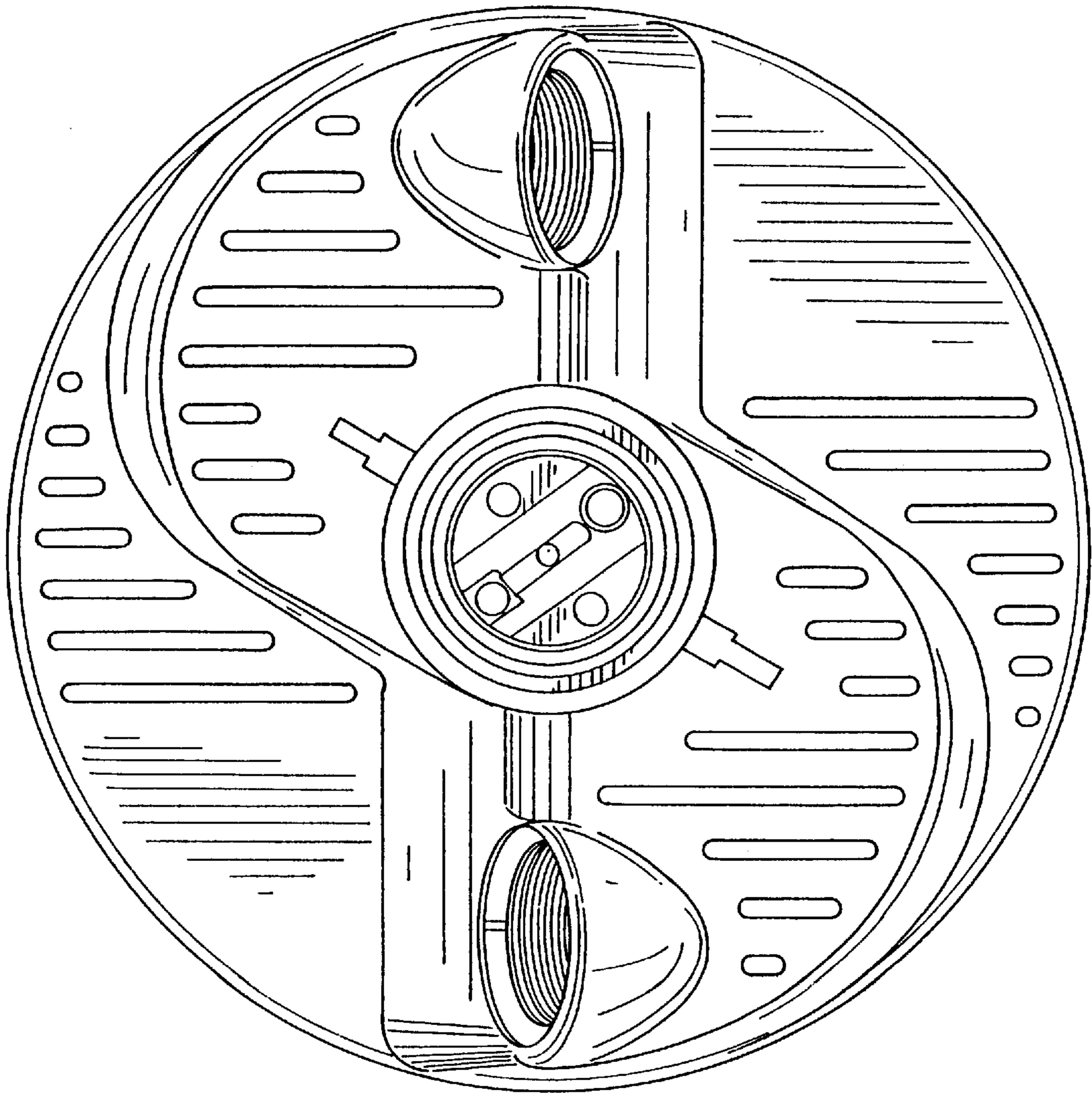


FIG. 2

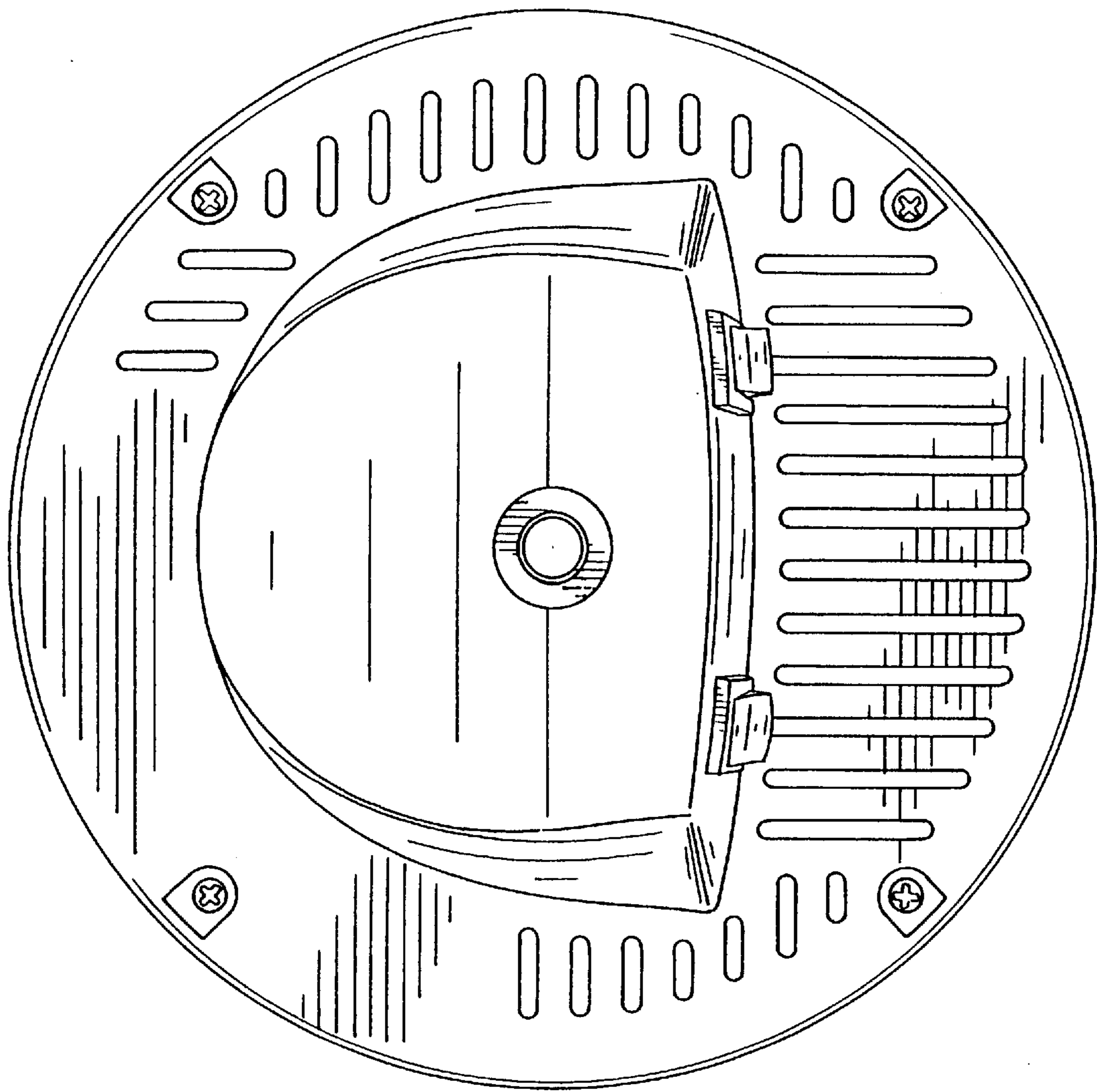


FIG. 3



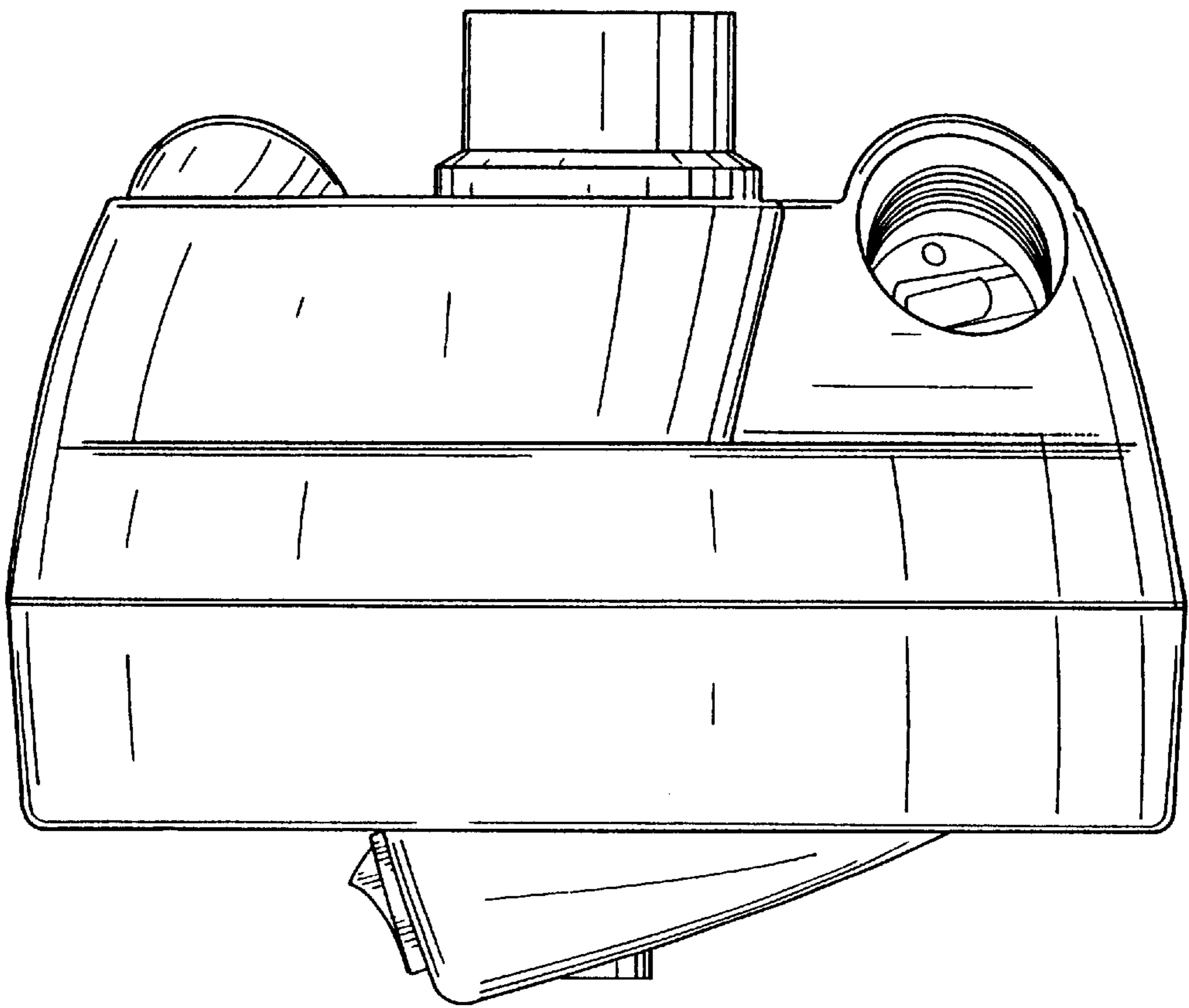


FIG. 4

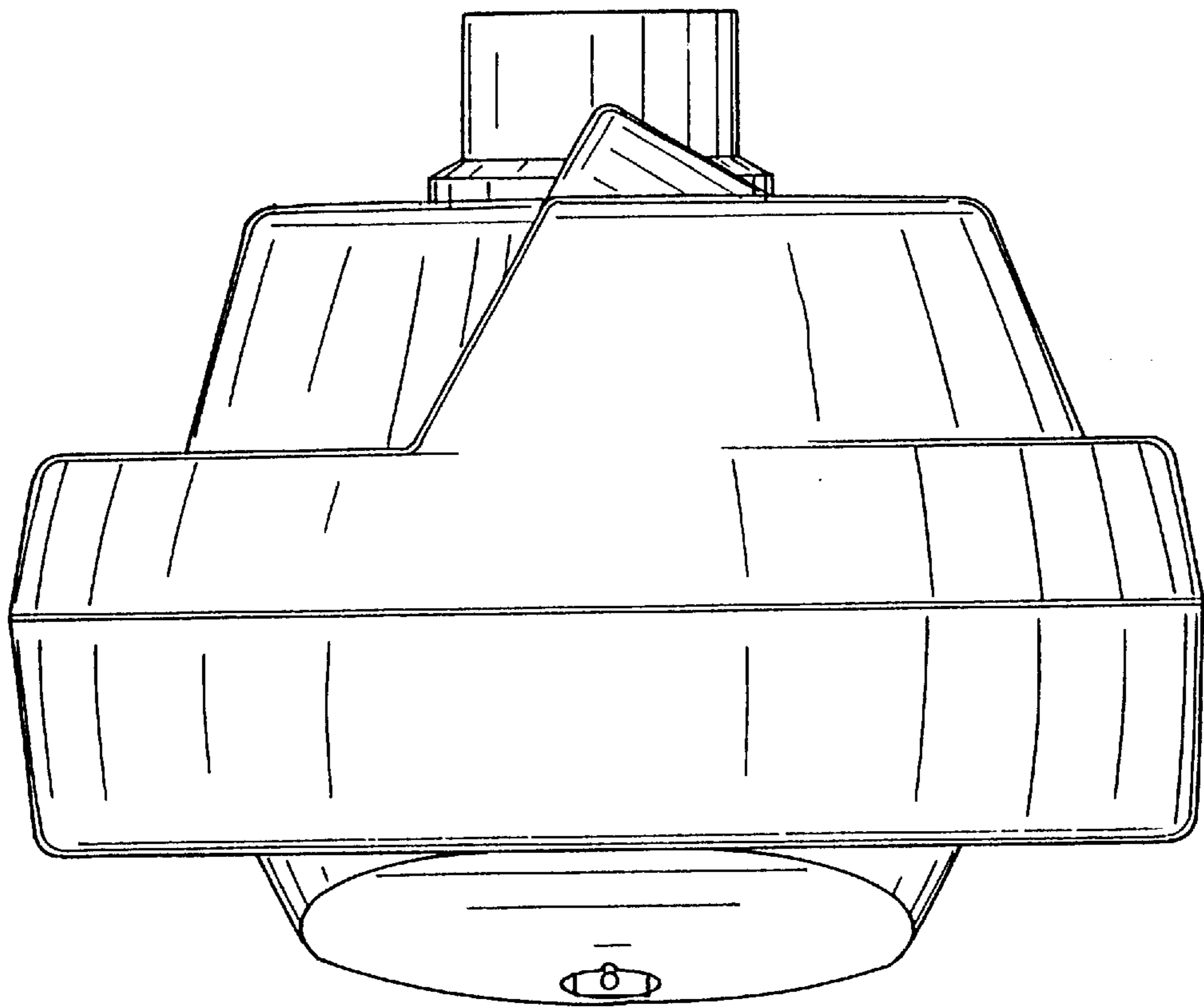


FIG. 5

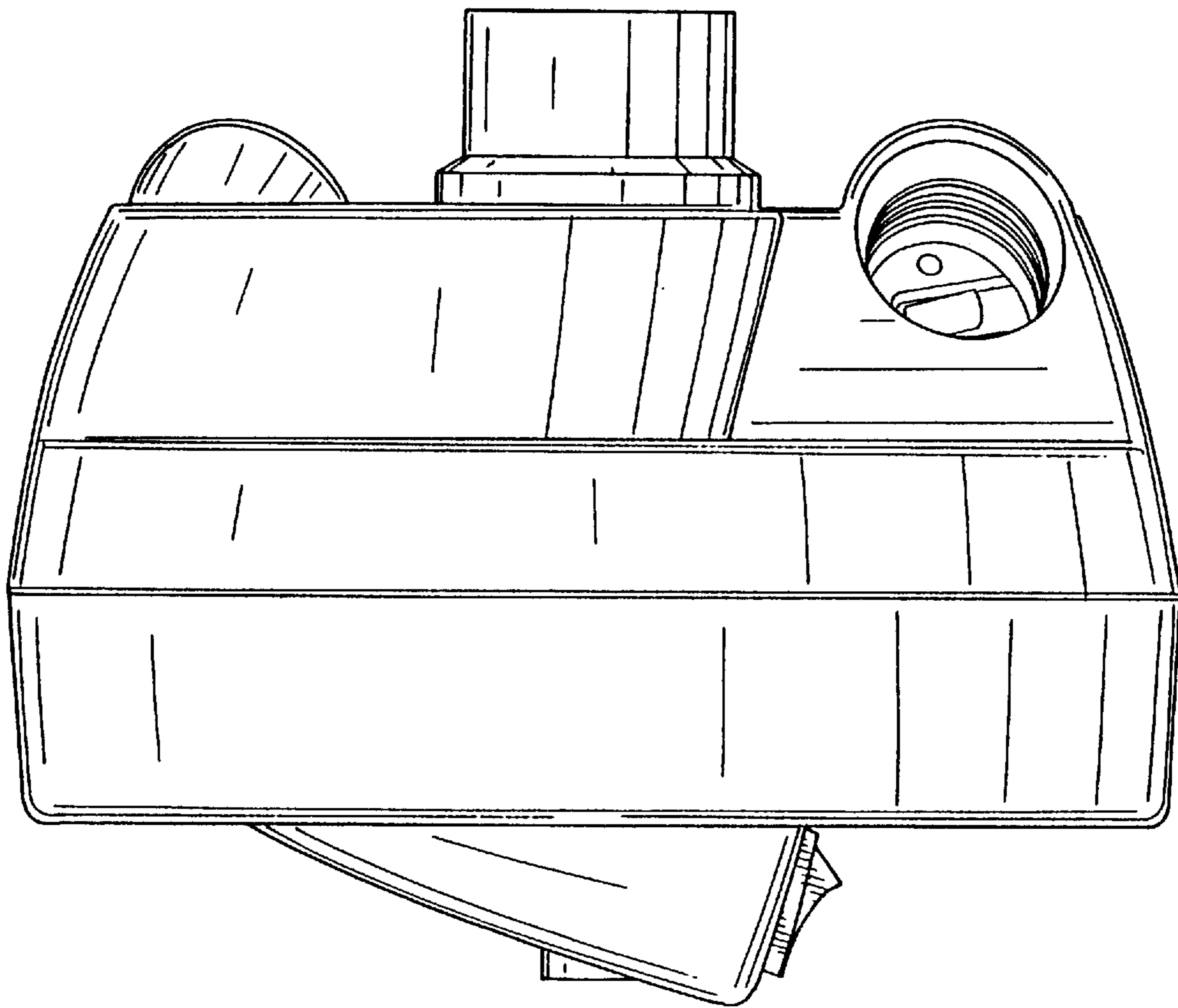


FIG. 6

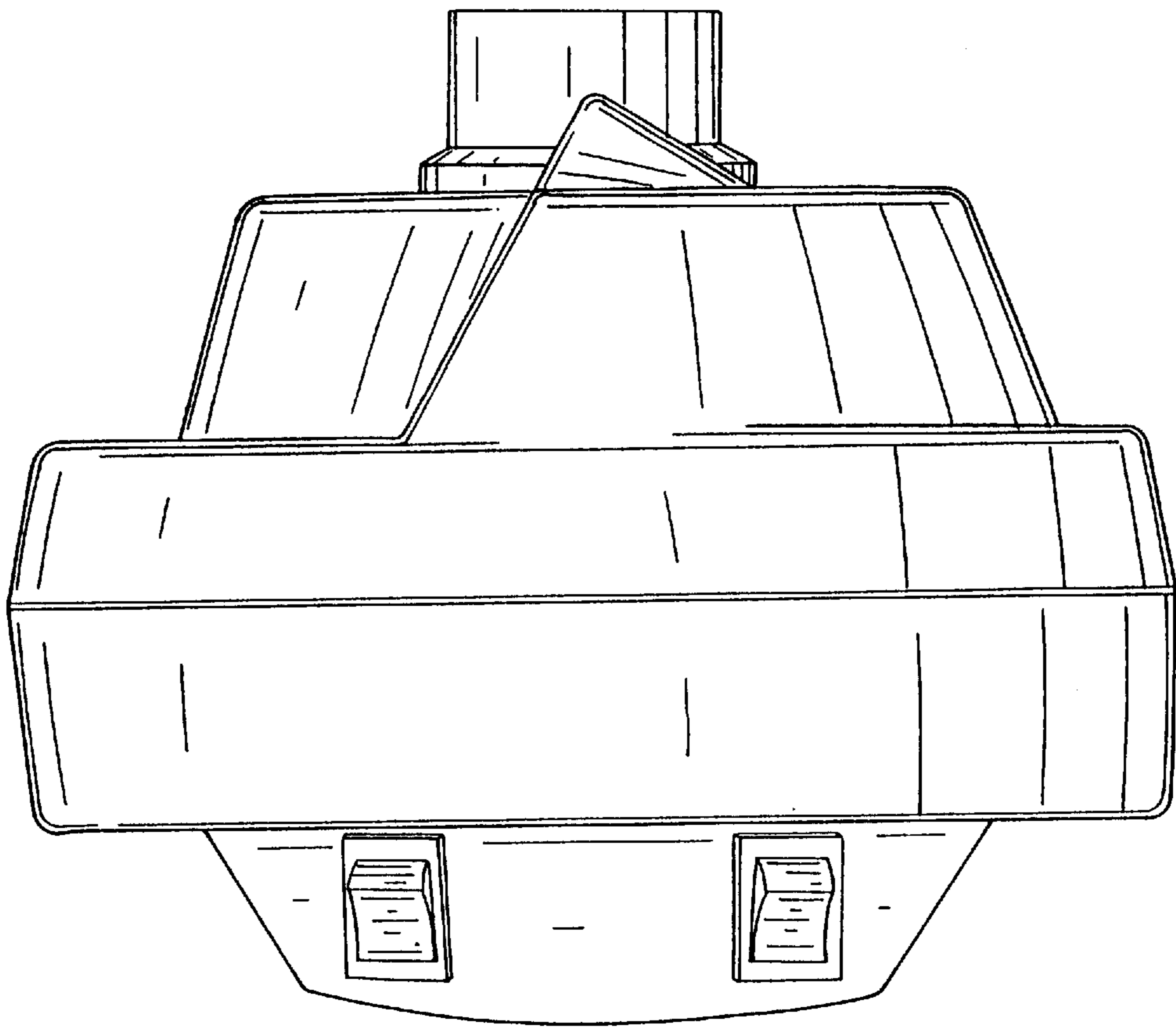


FIG. 7