



US00D403098S

United States Patent [19]

Littman et al.

[11] **Patent Number: Des. 403,098**

[45] **Date of Patent: **Dec. 22, 1998**

[54] **LIGHTING FIXTURE**

D. 384,761 10/1997 Littman et al. D26/85

[75] Inventors: **Sandra E. Littman; Kirina S. Kaufman**, both of New York, N.Y.

OTHER PUBLICATIONS

Corbett lighting catalog, p. W3, wall lamp #5228, 1994.

[73] Assignee: **Sandy Littman, Inc.**, New York, N.Y.

Primary Examiner—Susan J. Lucas
Attorney, Agent, or Firm—Schweitzer Cornman Gross & Bondell LLP

[**] Term: **14 Years**

[21] Appl. No.: **72,186**

[57] CLAIM

[22] Filed: **Jun. 12, 1997**

We claim the ornamental design of a lighting fixture, as shown and described.

Related U.S. Application Data

DESCRIPTION

[62] Division of Ser. No. 48,312, Dec. 26, 1995, Pat. No. Des. 383,868.

FIG. 1 is a front elevational view embodying our new design for a lighting fixture;

[51] **LOC (6) Cl.** **26-05**

FIG. 2 is a rear elevational view thereof;

[52] **U.S. Cl.** **D26/87**

FIG. 3 is a side elevational view thereof;

[58] **Field of Search** D26/72, 80, 85, D26/86, 87, 91, 92; 362/147, 432

FIG. 4 is a top plan view thereof; and,

FIG. 5 is a bottom plan view thereof.

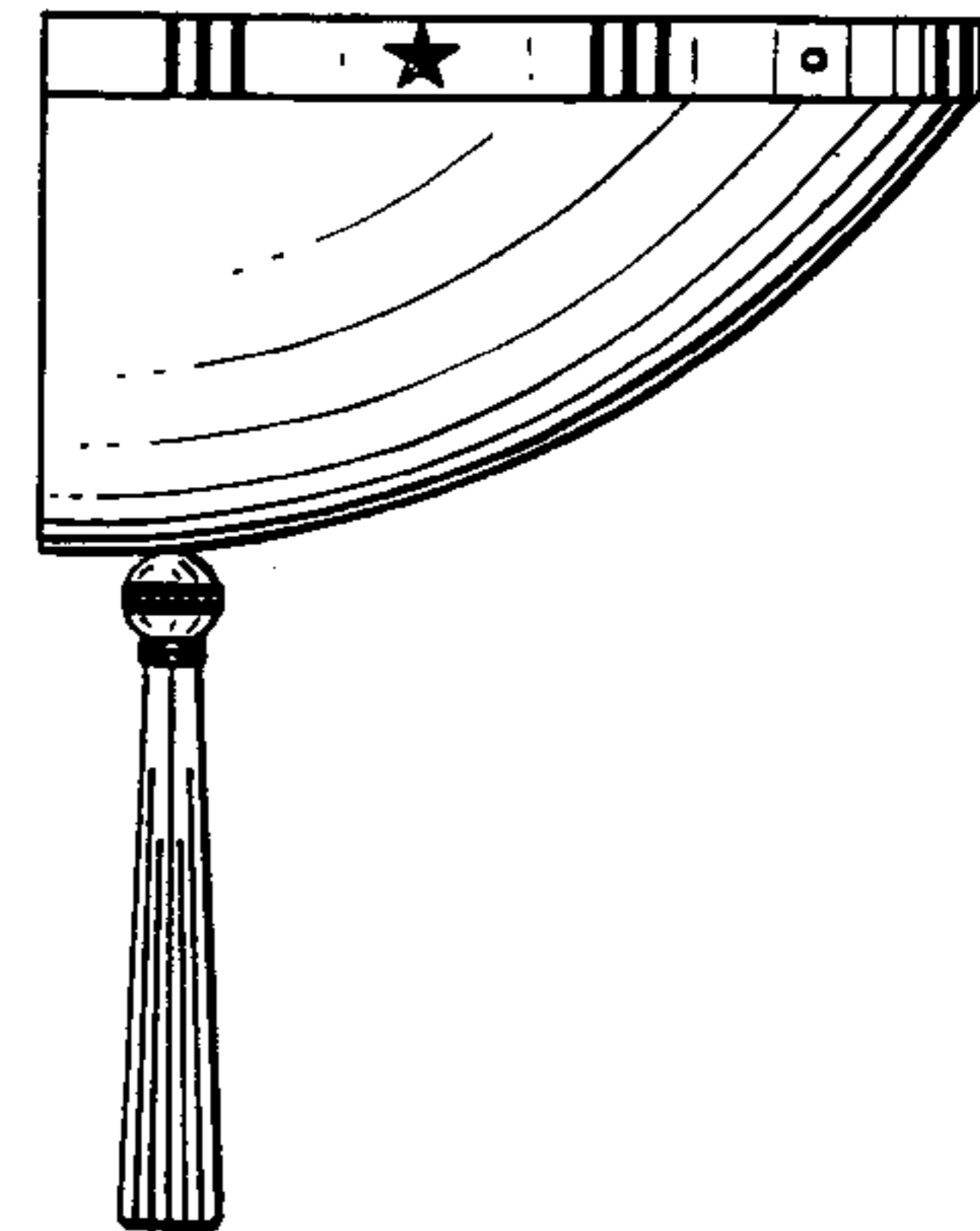
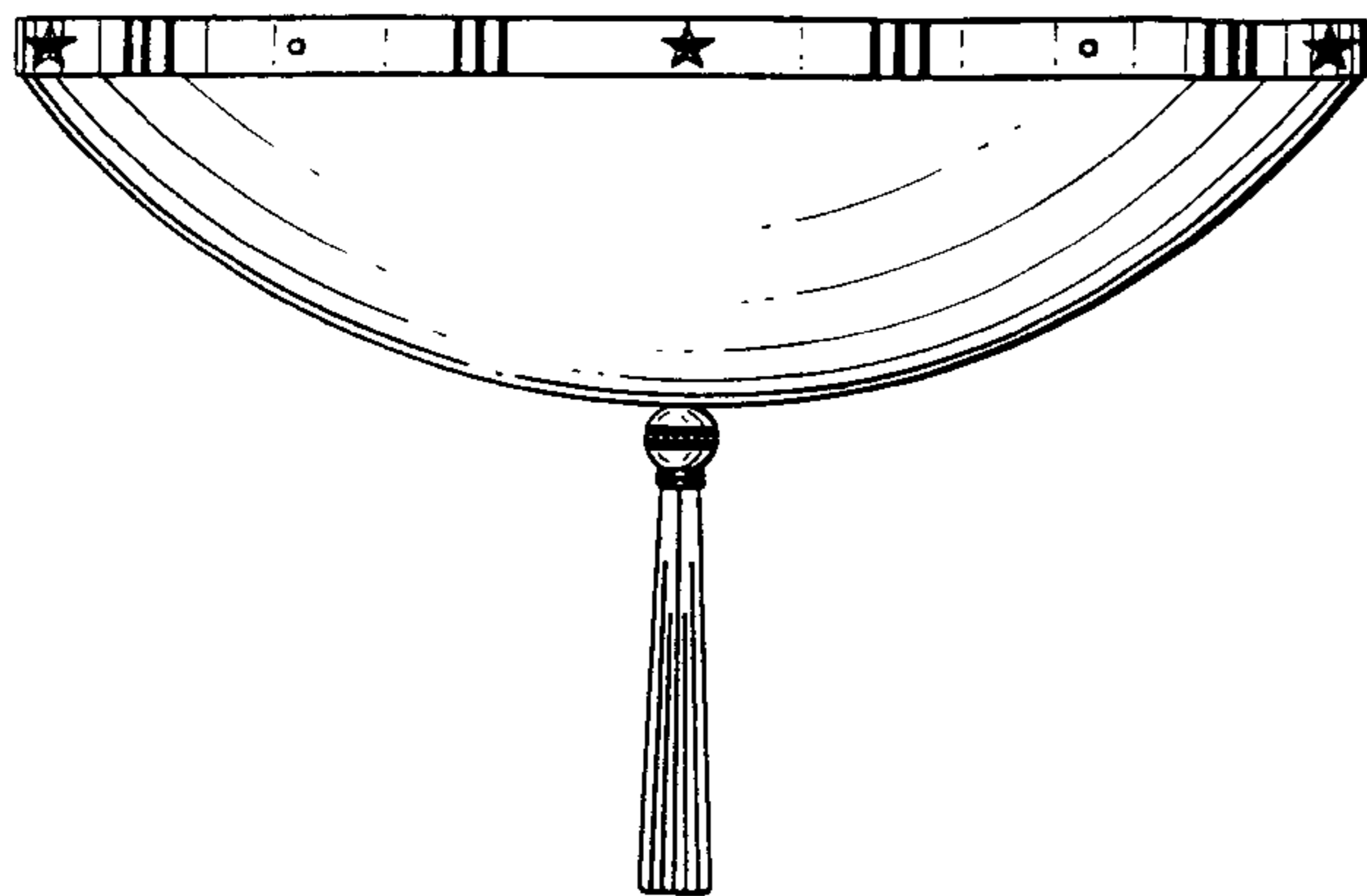
The broken lines are shown for illustrative purposes only and form no part of the claim design.

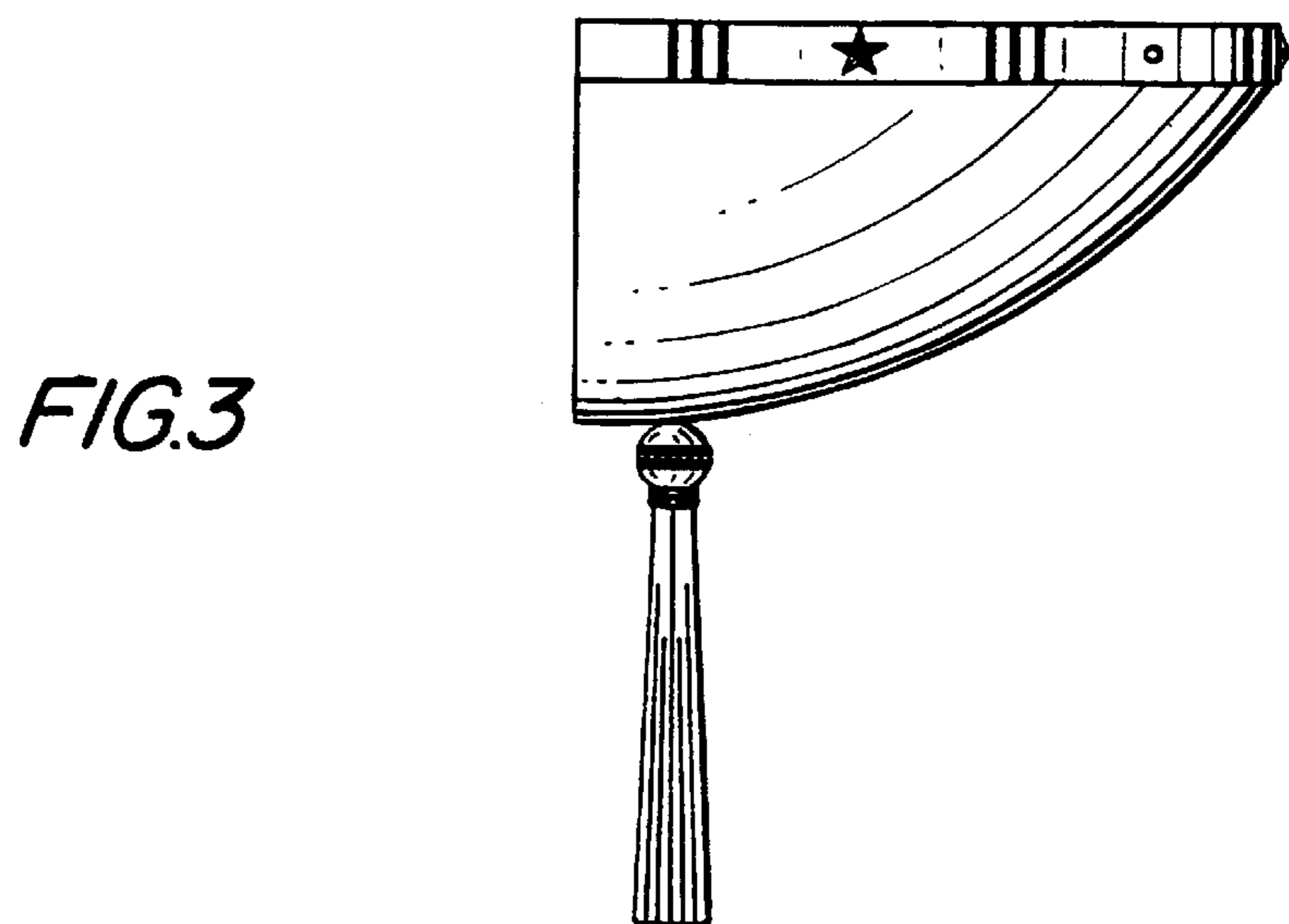
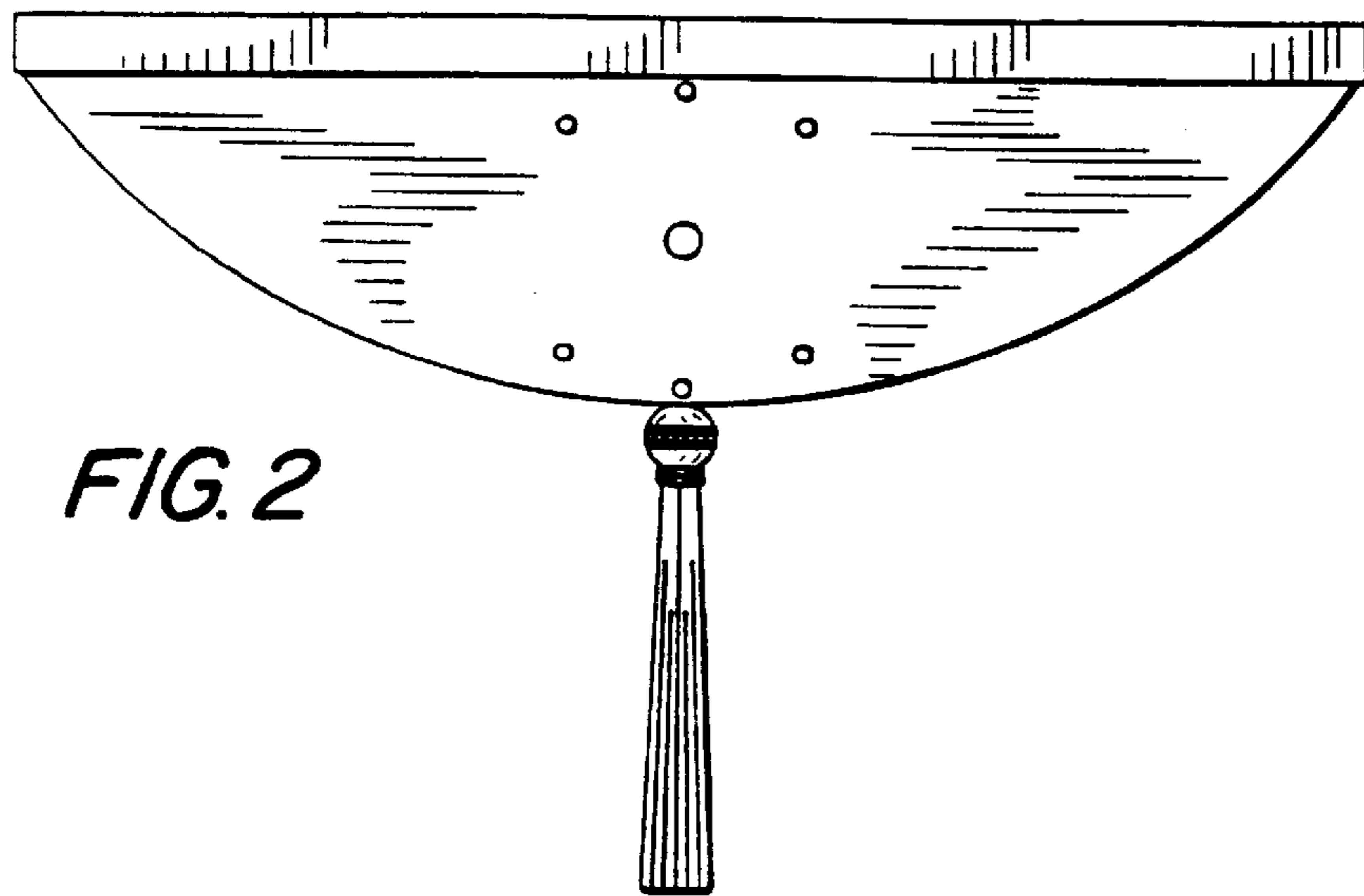
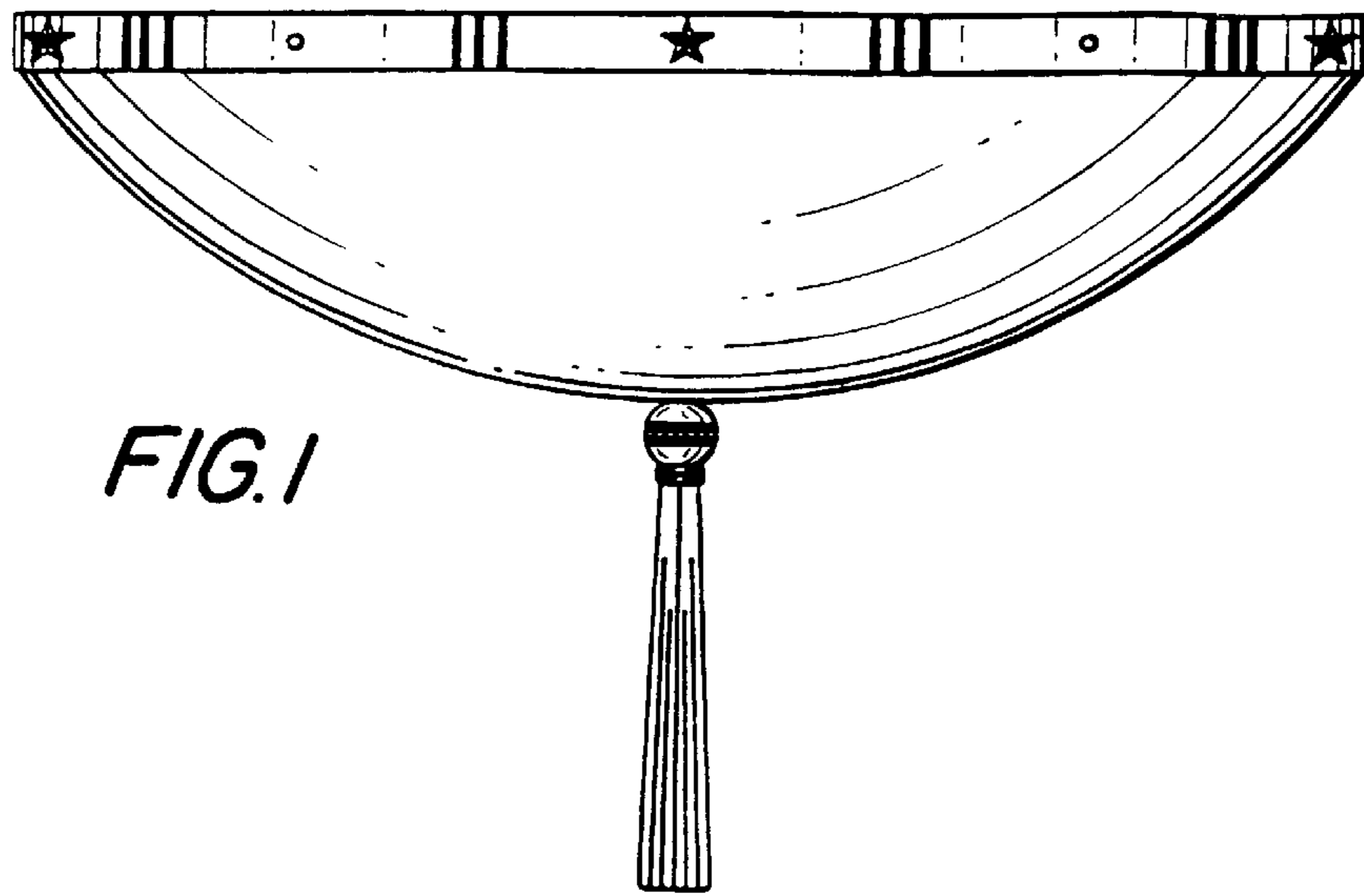
[56] References Cited

U.S. PATENT DOCUMENTS

D. 383,868 9/1997 Littman et al. D26/85

1 Claim, 2 Drawing Sheets





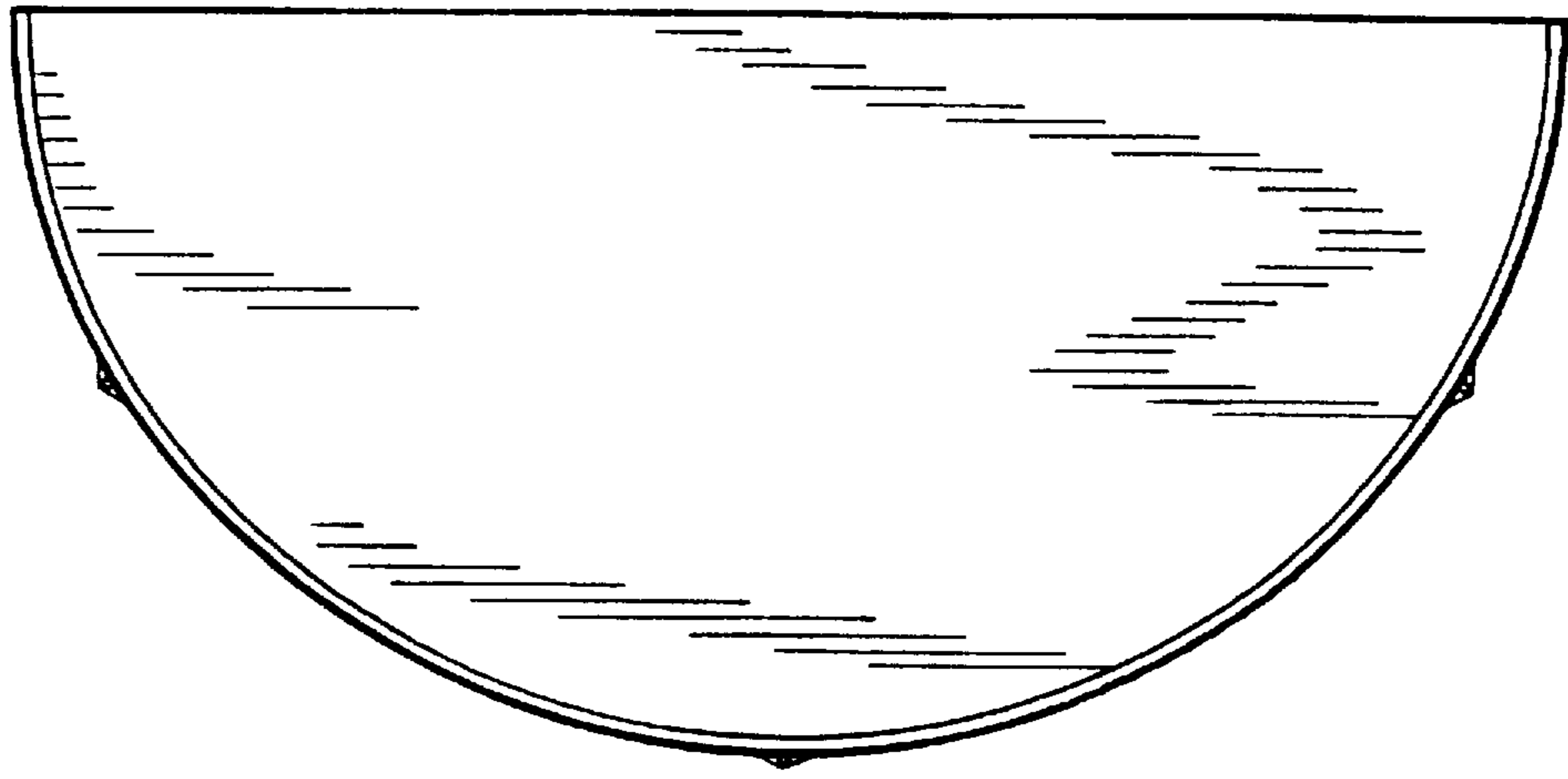


FIG. 4

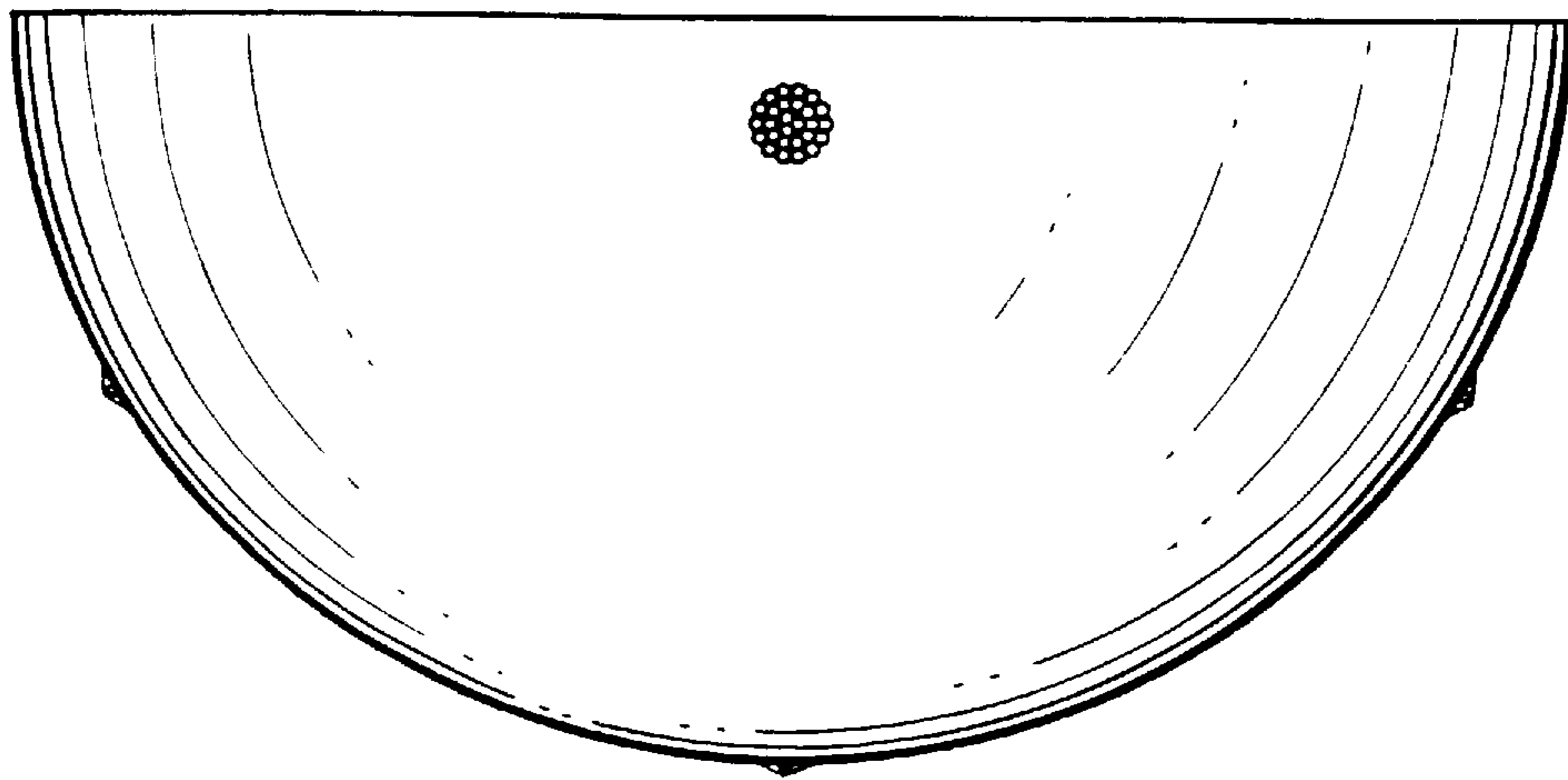


FIG. 5