



US00D403094S

# United States Patent [19]

Grossman et al.

[11] **Patent Number: Des. 403,094**

[45] **Date of Patent: \*\*Dec. 22, 1998**

[54] **WORK LIGHT**

[75] Inventors: **Gary M. Grossman**, Riverside, Conn.;  
**Donald Andrus**, High Point; **Brian Spitler**,  
Elon College, both of N.C.

[73] Assignee: **Regent Lighting Corporation**,  
Burlington, N.C.

[\*\*] Term: **14 Years**

[21] Appl. No.: **76,391**

[22] Filed: **Sep. 11, 1997**

[51] **LOC (6) Cl.** ..... **26-02**

[52] **U.S. Cl.** ..... **D26/63; D26/119**

[58] **Field of Search** ..... **D26/37-50, 63,**  
**D26/119; 362/157, 158, 217, 258, 376,**  
**377, 378, 269, 274, 275, 396, 418, 419,**  
**427**

[56] **References Cited**

**U.S. PATENT DOCUMENTS**

D. 120,924 6/1940 Steber ..... D26/119

D. 244,715 6/1977 Fierro et al. .... D26/119  
D. 251,751 5/1979 Lawrence et al. .... D26/119  
D. 331,634 12/1992 Browne ..... D26/119  
D. 359,371 6/1995 Osteen et al. .... D26/63  
D. 375,377 11/1996 Zeen ..... D26/119

*Primary Examiner*—Marcus A. Jackson  
*Attorney, Agent, or Firm*—Niro, Scavone, Haller & Niro

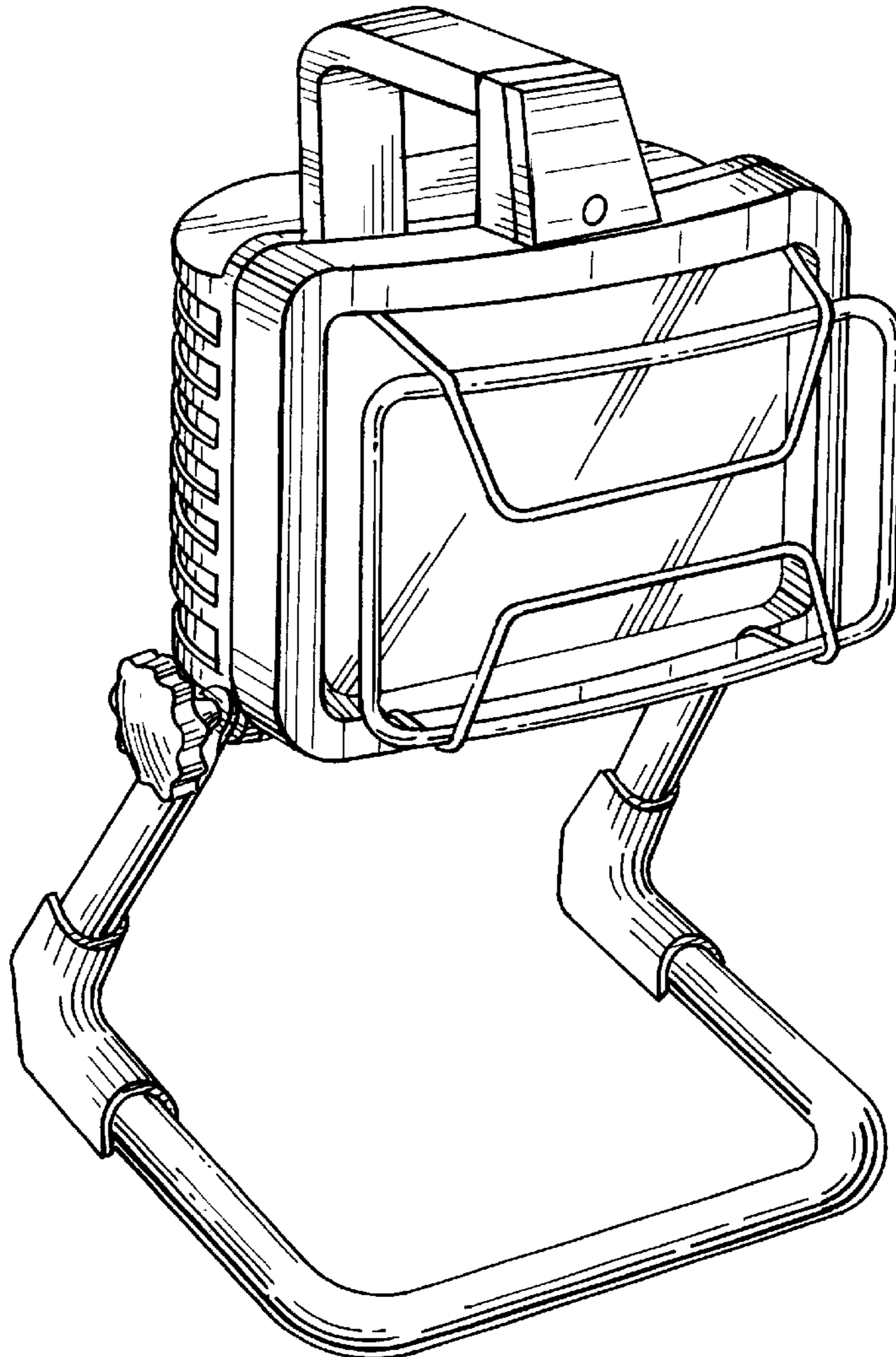
[57] **CLAIM**

The ornamental design for a “work light”, as shown and described.

**DESCRIPTION**

FIG. 1 is a perspective view of the invention;  
FIG. 2 is a front view thereof;  
FIG. 3 is a left view thereof;  
FIG. 4 is a top view thereof;  
FIG. 5 is a back view thereof;  
FIG. 6 is a bottom view thereof;  
FIG. 7 is a back left perspective view thereof; and,  
FIG. 8 is a perspective view of the invention showing the design when the invention is in a lowered position.

**1 Claim, 3 Drawing Sheets**



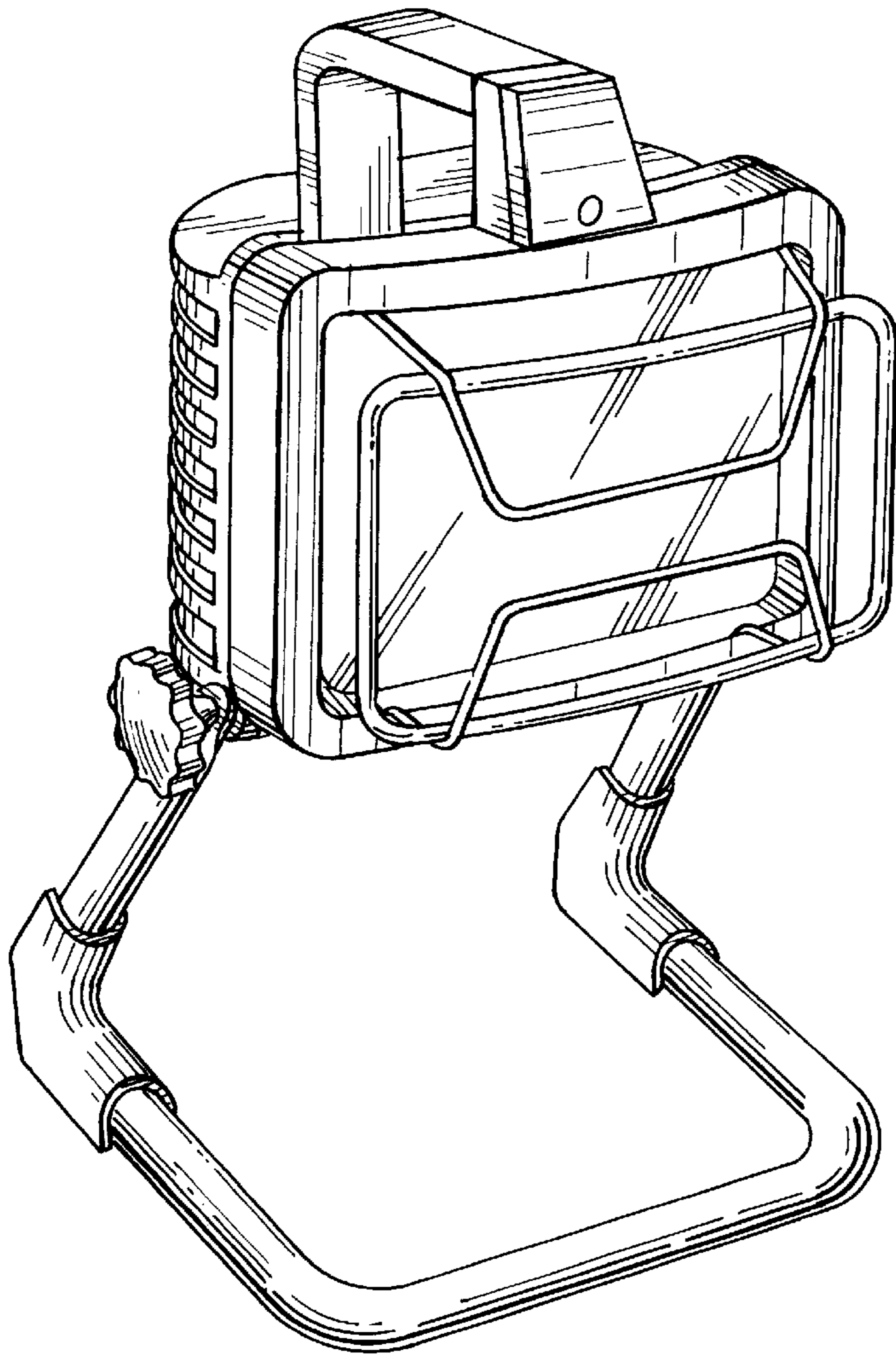


FIG. 1

FIG. 2

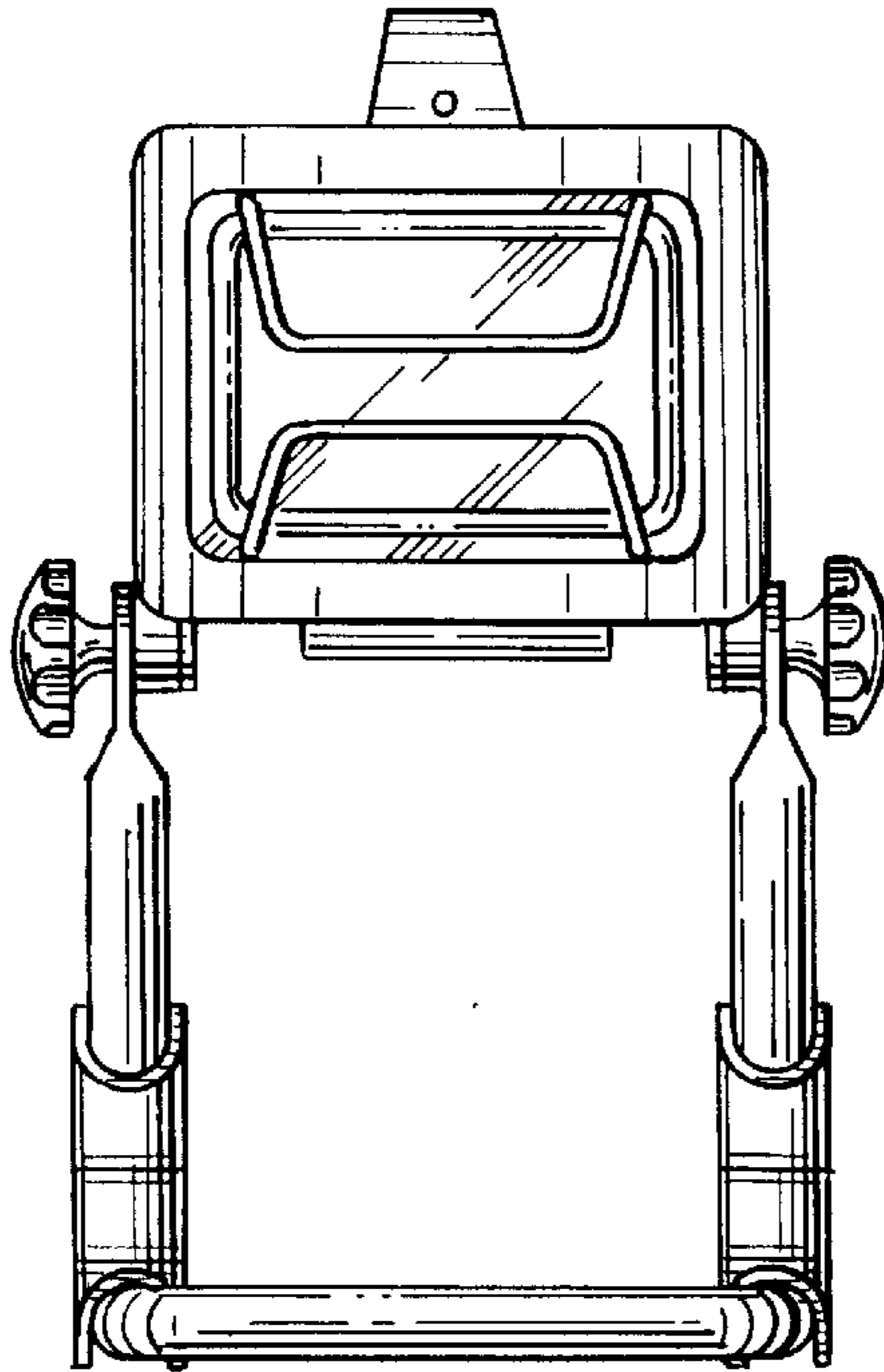


FIG. 3

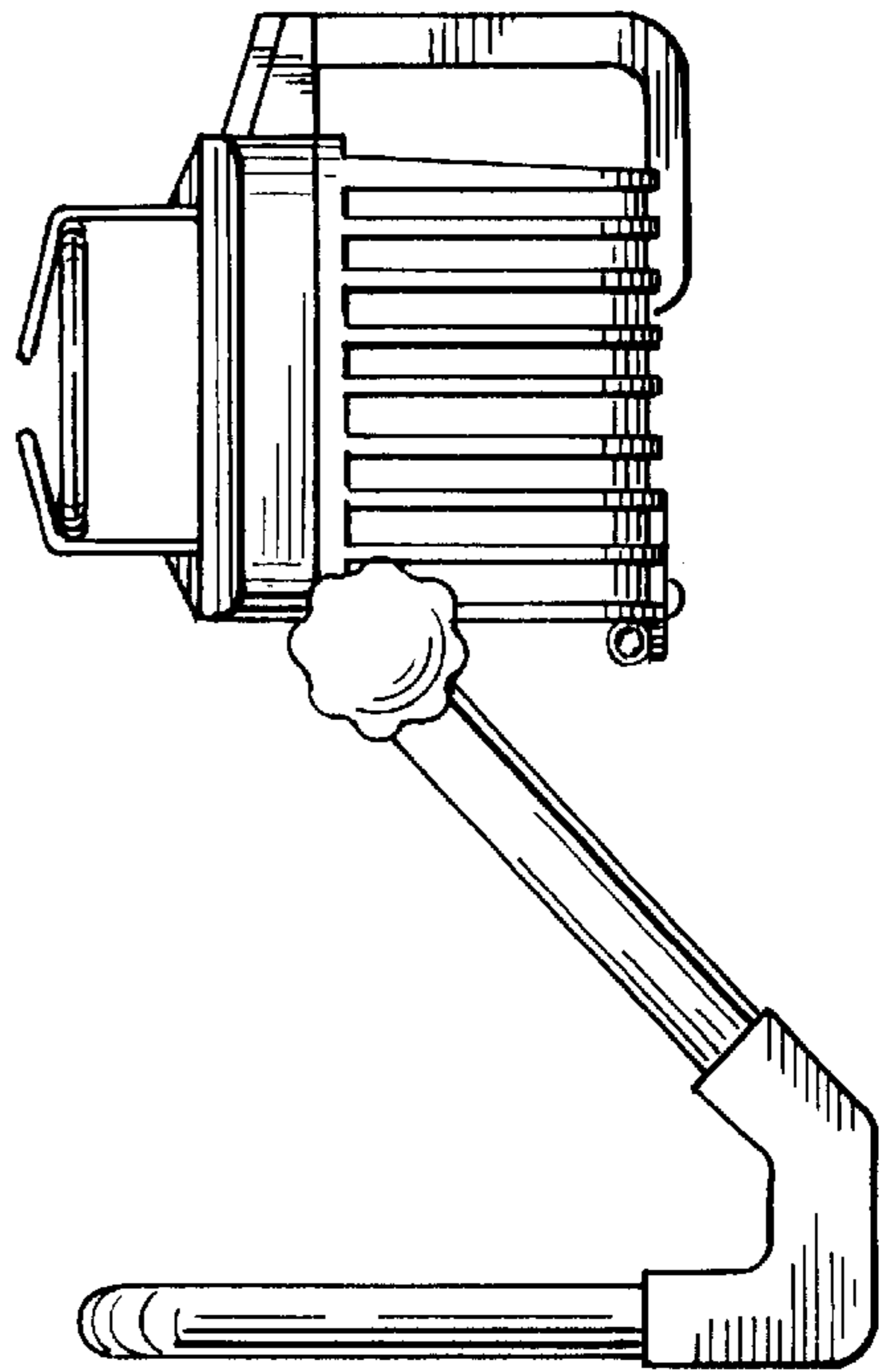


FIG. 4

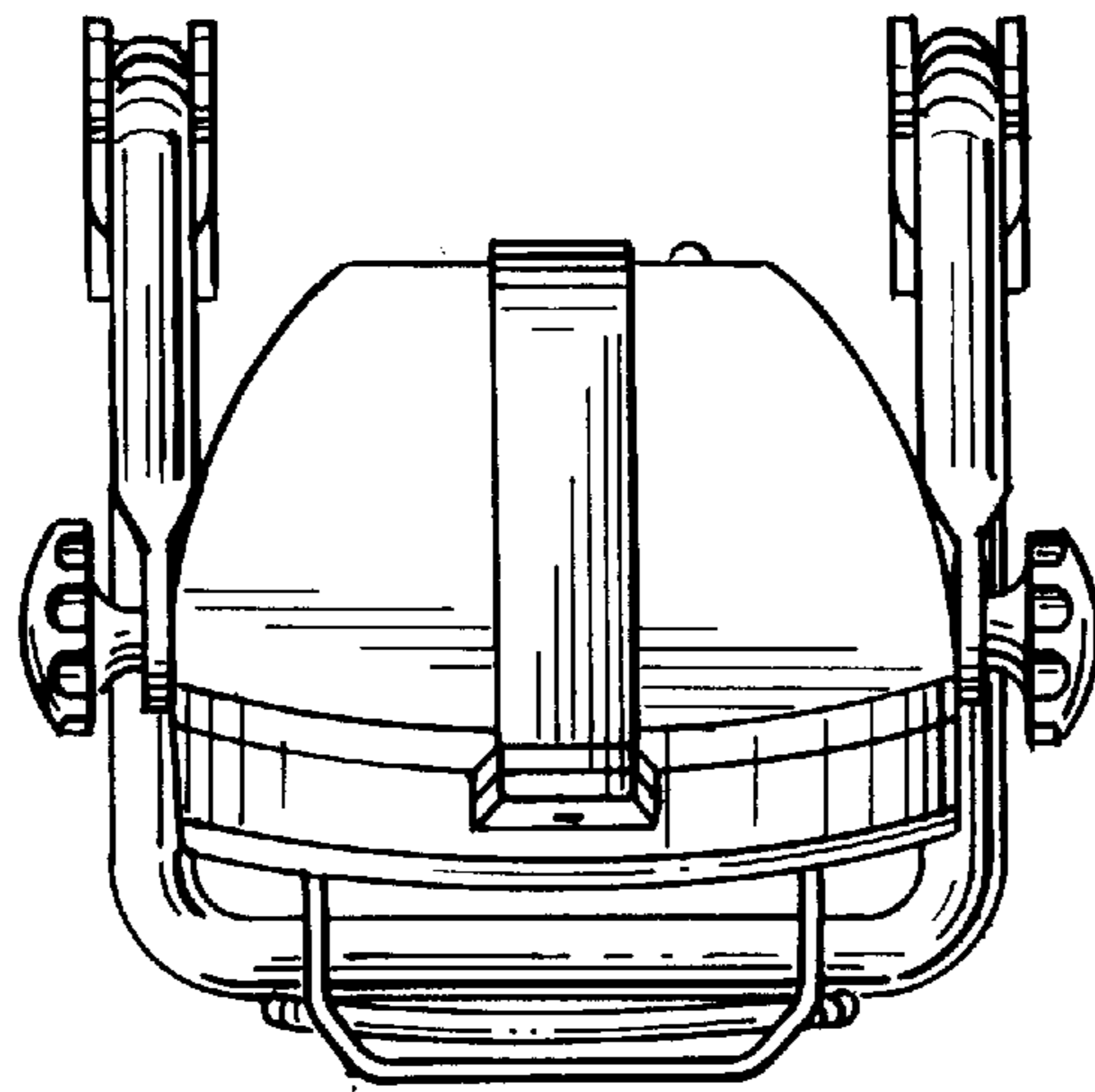


FIG. 5

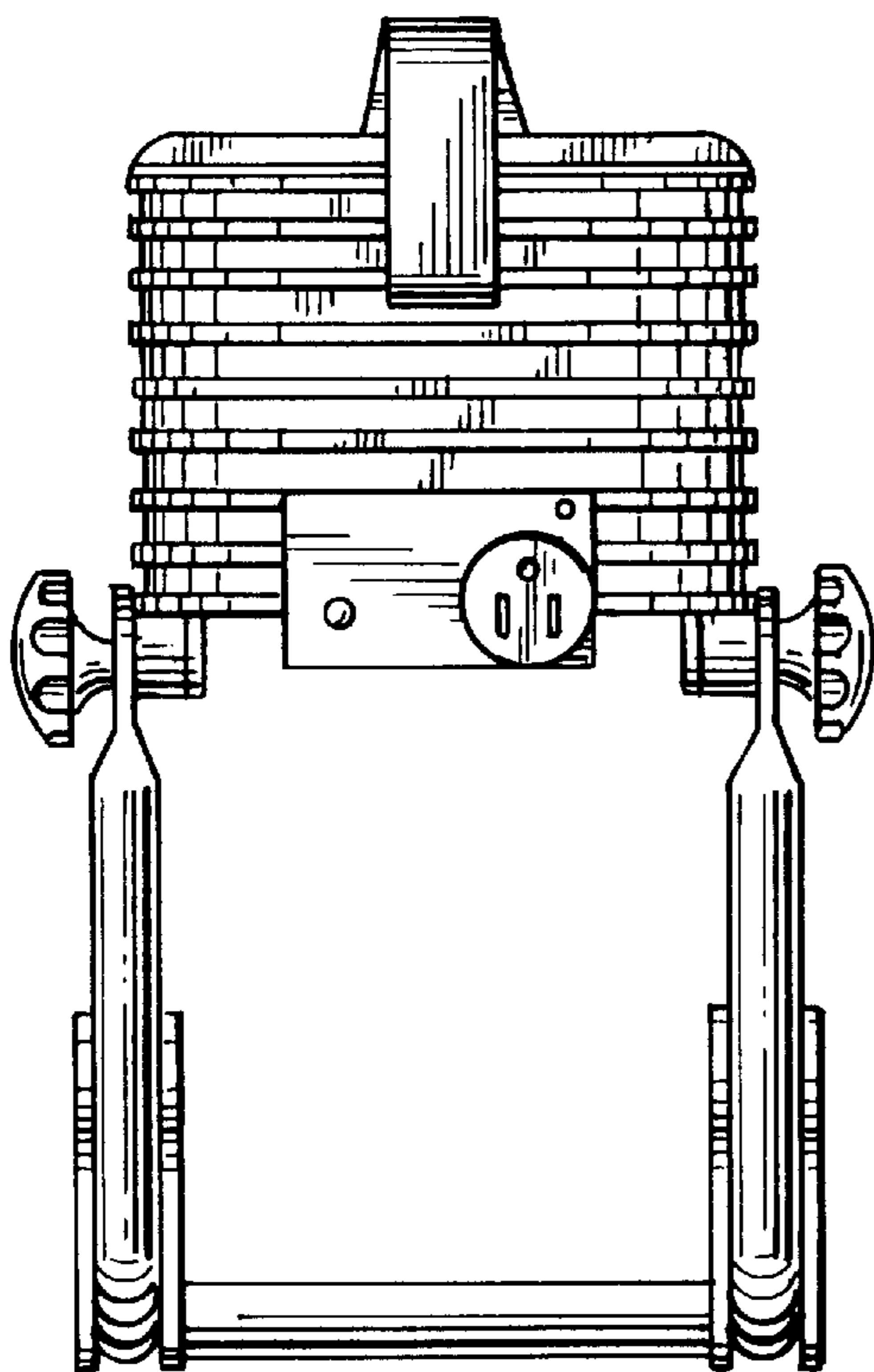
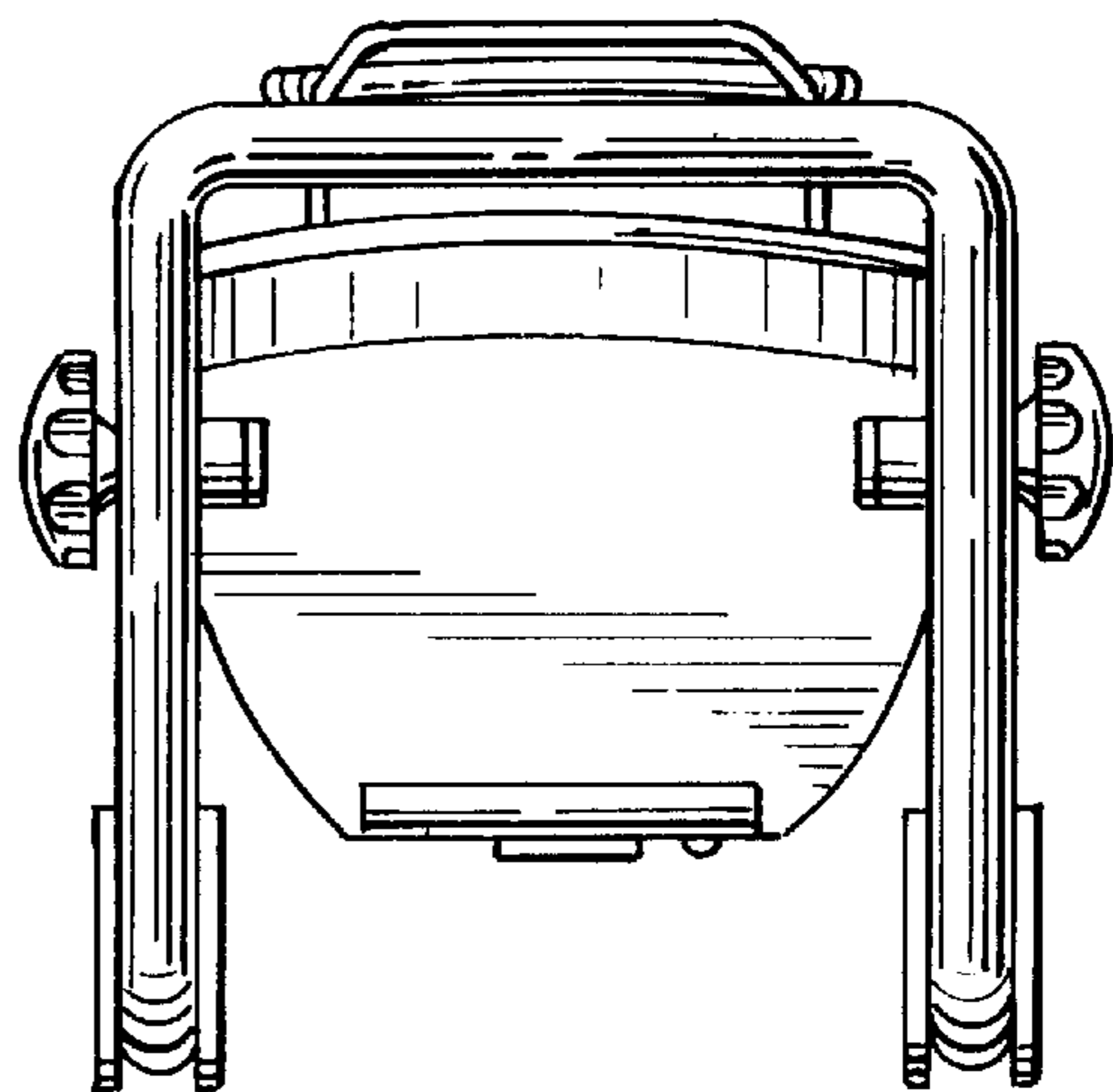


FIG. 6



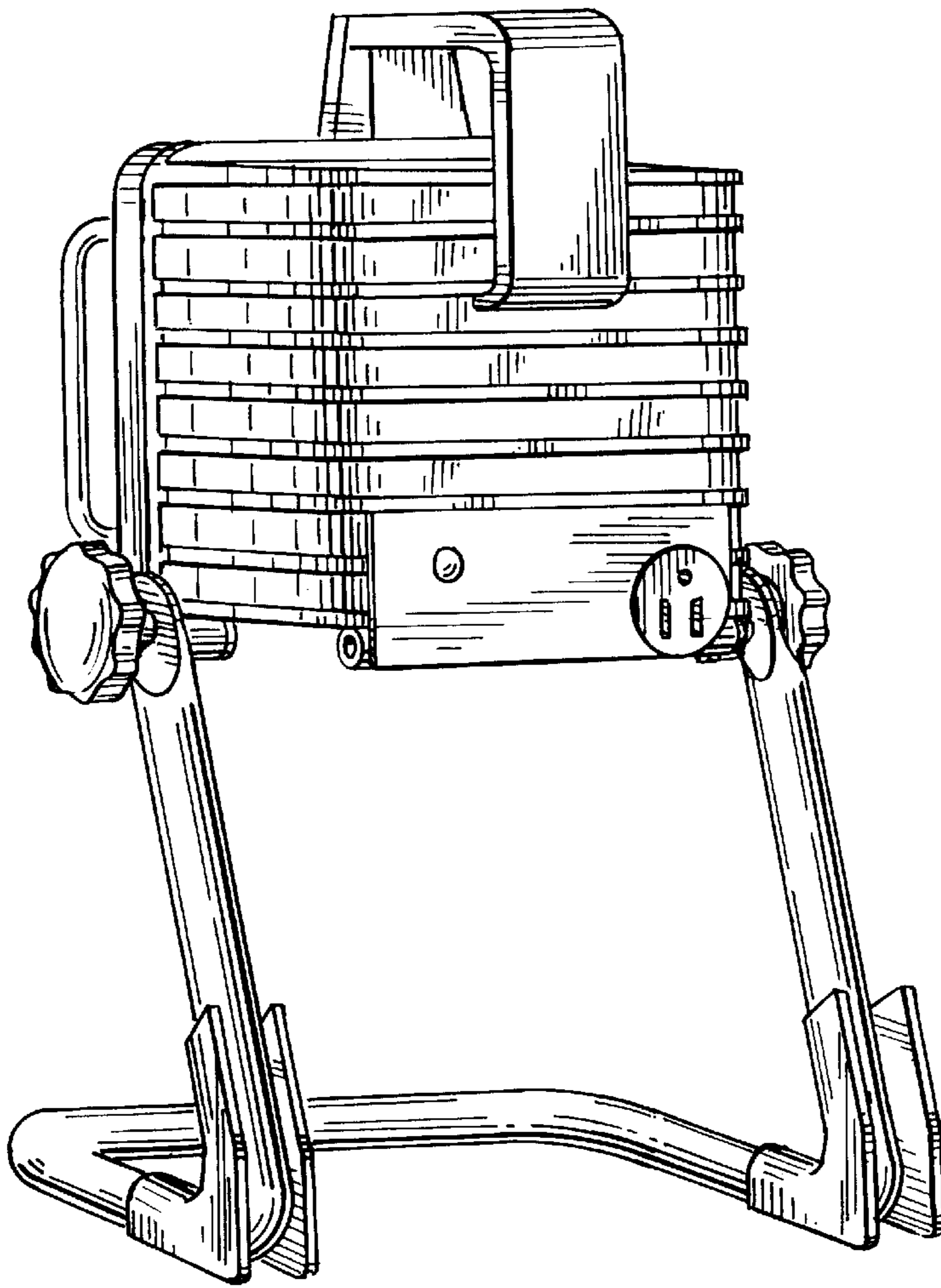


FIG. 7

FIG. 8

