



US00D403092S

# United States Patent [19]

Mohr, Jr.

[11] Patent Number: Des. 403,092

[45] Date of Patent: \*\*Dec. 22, 1998

[54] RECHARGEABLE UTILITY LIGHT

3,108,752 10/1963 Duprey ..... D26/119

[76] Inventor: **Kenneth E Mohr, Jr.**, 327 3rd St., East Greenville, Pa. 18041

Primary Examiner—Marcus A. Jackson

[\*\*] Term: **14 Years**

[57] CLAIM

[21] Appl. No.: **83,140**

The ornamental design for a rechargeable utility light, as shown.

[22] Filed: **Feb. 5, 1998**

### DESCRIPTION

[51] LOC (6) Cl. .... **26-02**

FIG. 1 is a front elevational view of the rechargeable utility light of the present invention;

[52] U.S. Cl. .... **D26/38**

FIG. 2 is a back elevational view of the rechargeable utility light of FIG. 1;

[58] Field of Search ..... D26/37-50, 63, D26/119; 362/157, 158, 183-208, 376, 377, 404, 407

FIG. 3 is a left side elevational view of the rechargeable utility light of FIG. 1;

FIG. 4 is a right side elevational view of the rechargeable utility light of FIG. 1;

### [56] References Cited

#### U.S. PATENT DOCUMENTS

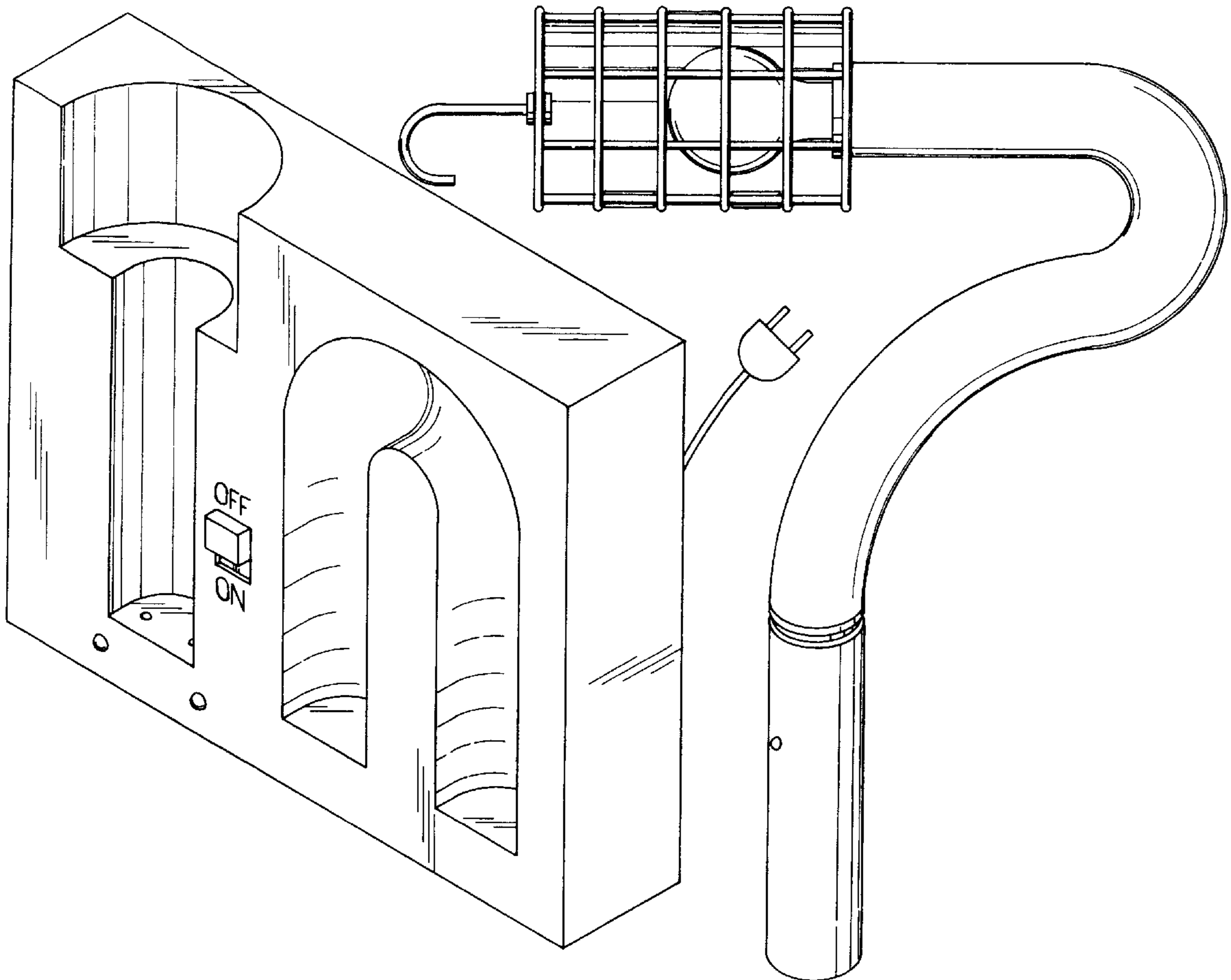
D. 251,751	5/1979	Lawrence et al. ....	D26/119
D. 322,328	12/1991	Burgett .....	D26/37
D. 322,680	12/1991	Baggio .....	D26/37
D. 359,139	6/1995	Raczmarek .....	D26/37
2,626,347	1/1953	Baenziger .....	D26/119
2,861,175	11/1958	Schweikle .....	D26/119

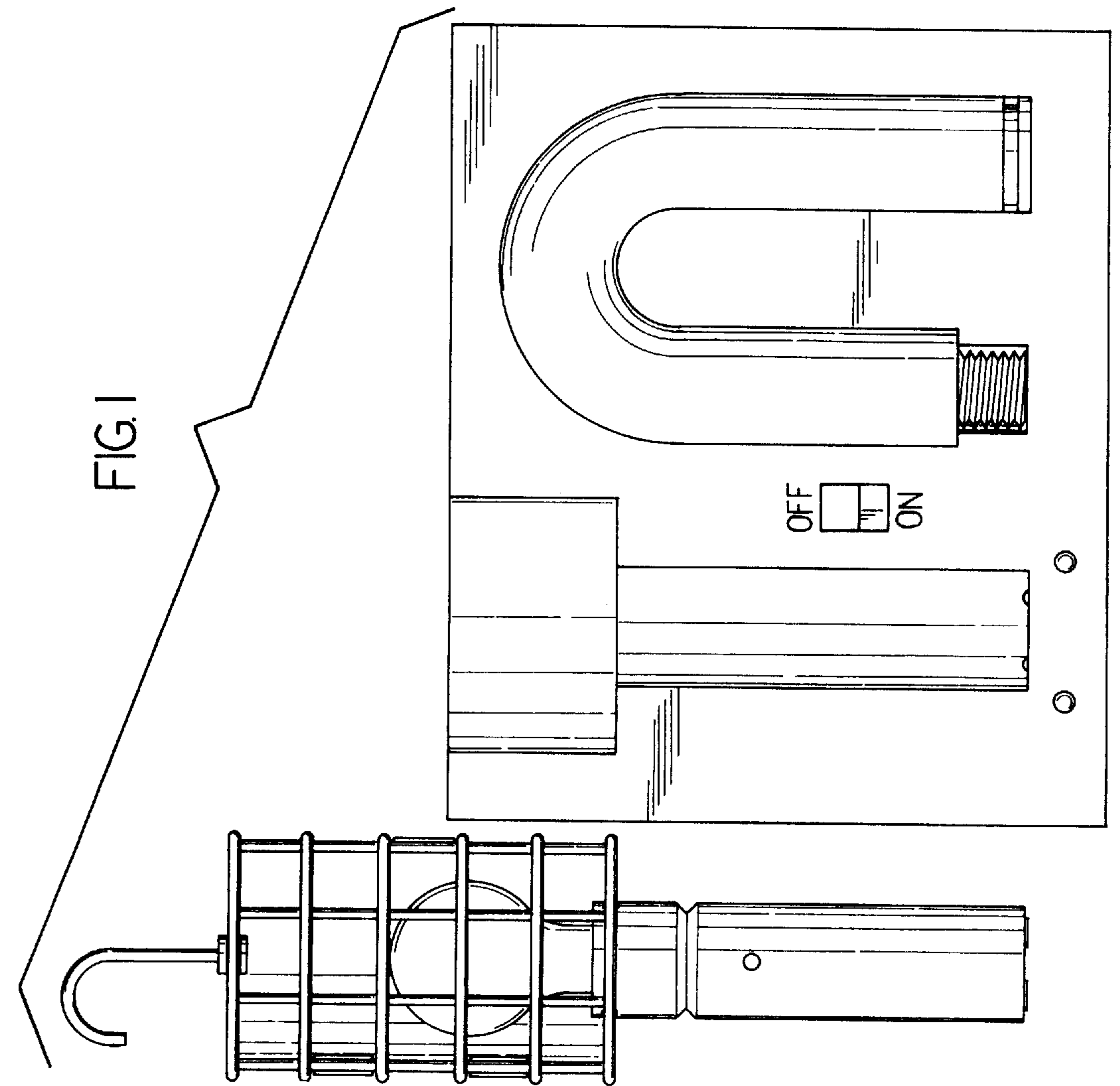
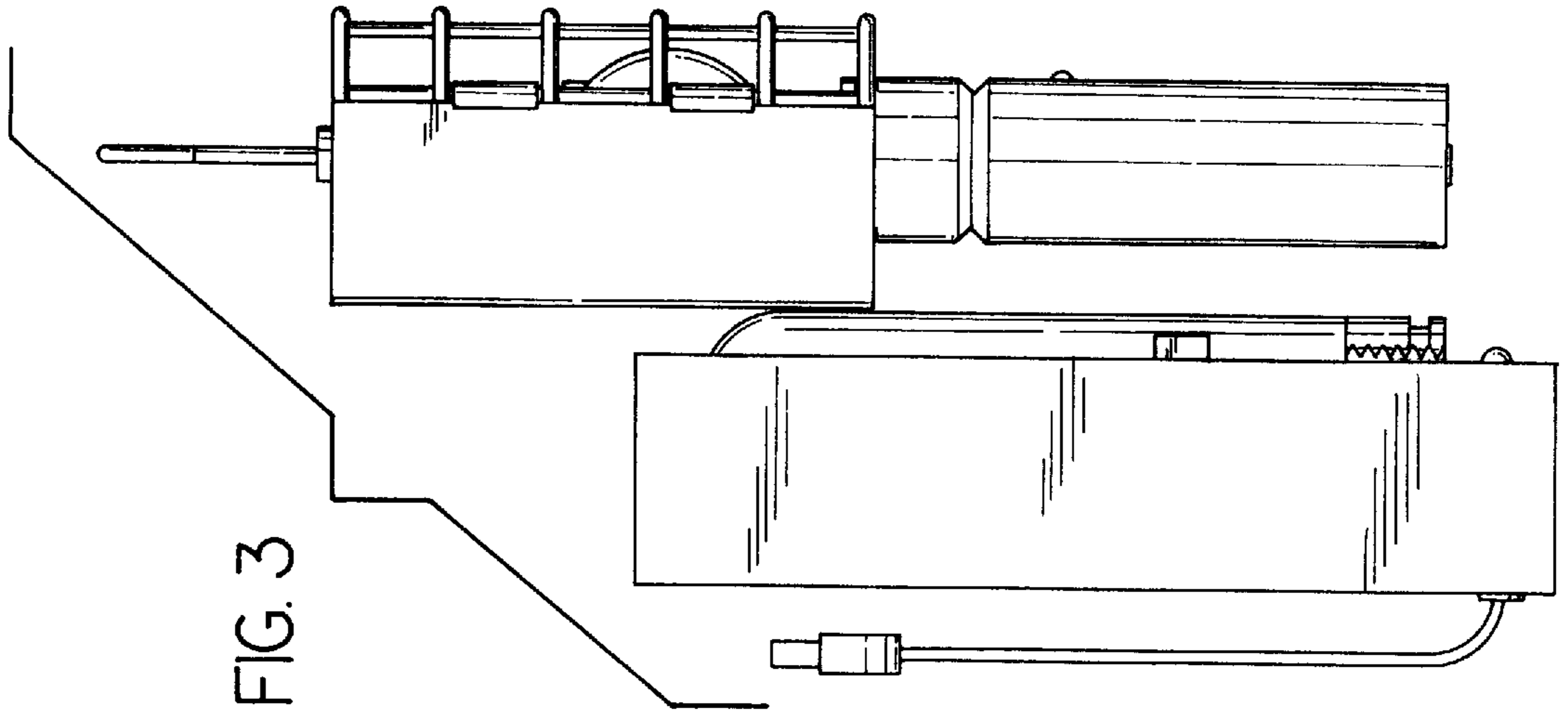
FIG. 5 is a top plan view of the rechargeable utility light of FIG. 1;

FIG. 6 is a bottom plan view of the rechargeable utility light of FIG. 1; and,

FIG. 7 is a top, front, right side perspective view of the rechargeable utility light of FIG. 1.

1 Claim, 4 Drawing Sheets





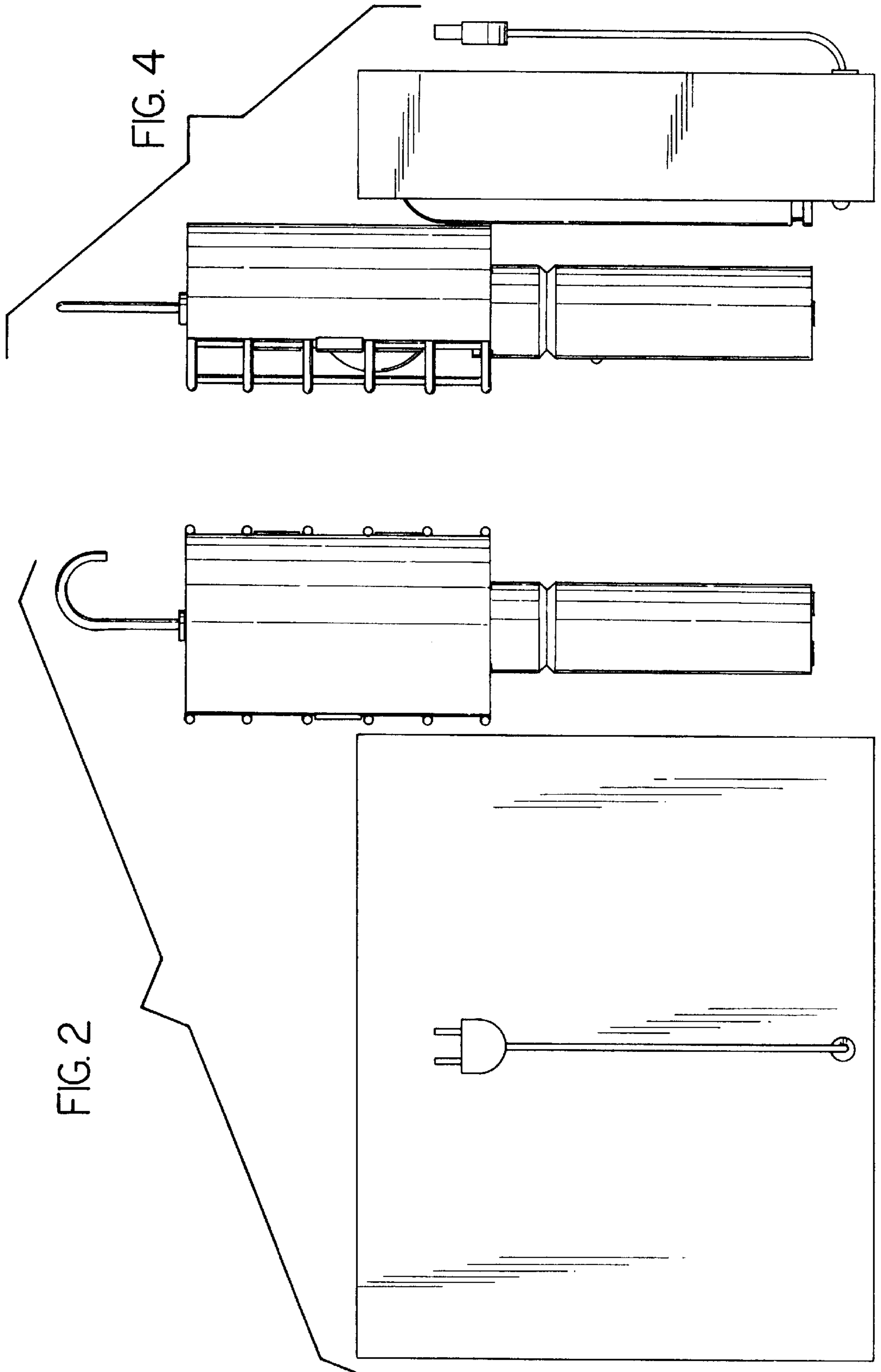


FIG. 5

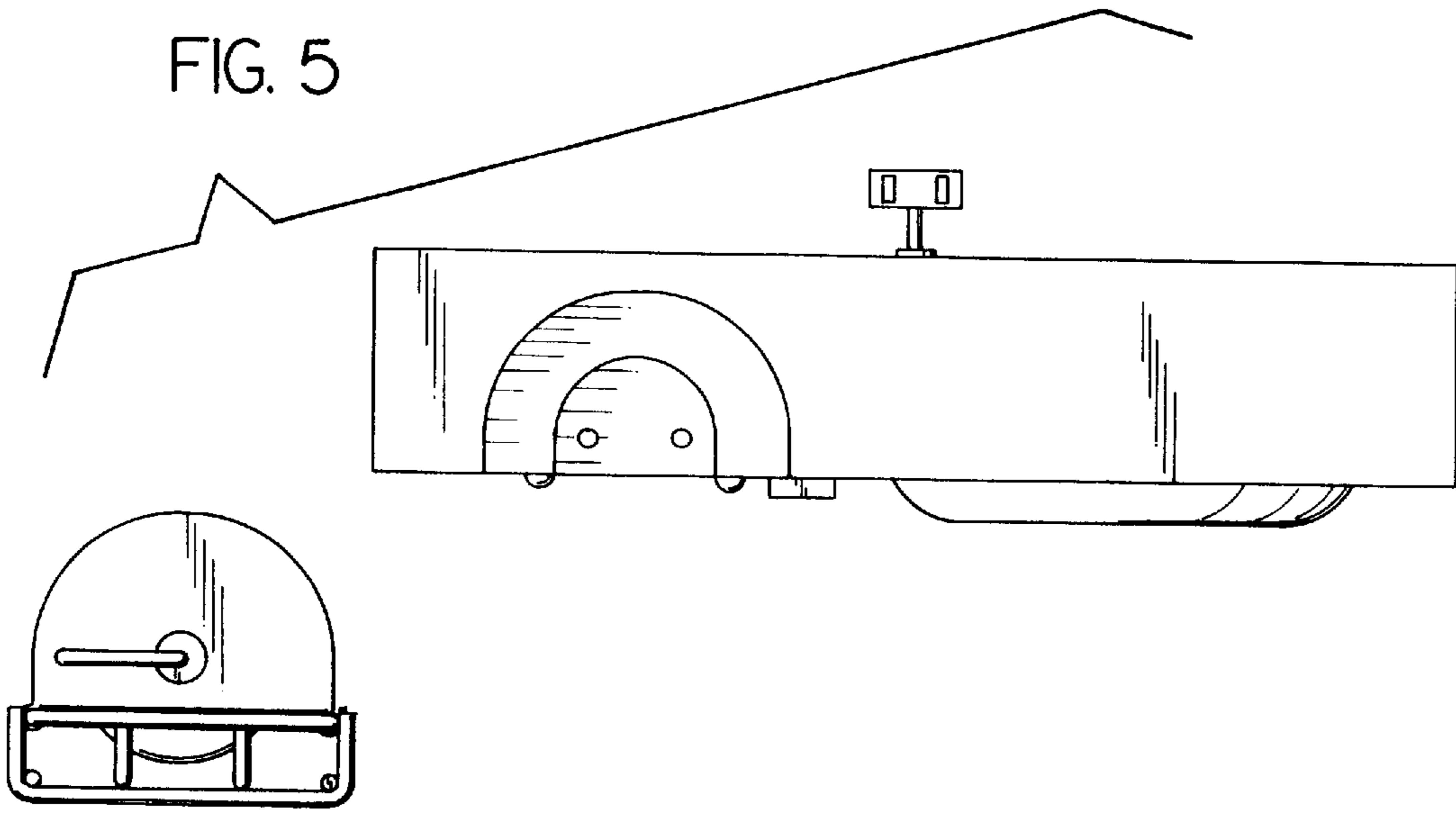


FIG. 6

