



US00D403089S

United States Patent [19]
Arribard

[11] **Patent Number: Des. 403,089**

[45] **Date of Patent: **Dec. 22, 1998**

[54] **NAVIGATION LIGHT**

[75] **Inventor: Moïse Arribard, Ploermel, France**

[73] **Assignee: Plastimo, Lorient, France**

[**] **Term: 14 Years**

[21] **Appl. No.: 72,783**

[22] **Filed: Jun. 30, 1997**

[30] **Foreign Application Priority Data**

Dec. 30, 1996 [FR] France 967366

[51] **LOC (6) Cl. 26-06**

[52] **U.S. Cl. D26/28**

[58] **Field of Search** D26/28-36, 83,
D26/61, 80, 81, 82, 40; 362/61, 80, 81,
82, 83, 267, 307, 311, 330-340, 362

[56] **References Cited**

U.S. PATENT DOCUMENTS

D. 277,893	3/1985	Finnern	D26/40
D. 288,133	2/1987	Schmidt	D26/28
D. 288,134	2/1987	Schmidt	D26/28
D. 290,048	5/1987	Schmidt	D26/28

D. 290,049	5/1987	Schmidt	D26/28
D. 294,973	3/1988	Bowman	D26/28
D. 295,680	5/1988	Whitley, II	D26/28
D. 345,614	3/1994	Whitley, II	D26/28
D. 367,331	2/1996	Reniger et al.	D26/28
D. 367,332	2/1996	Reniger et al.	D26/28

Primary Examiner—Marcus A. Jackson
Attorney, Agent, or Firm—Blank Rome Comisky & McCauley LLP

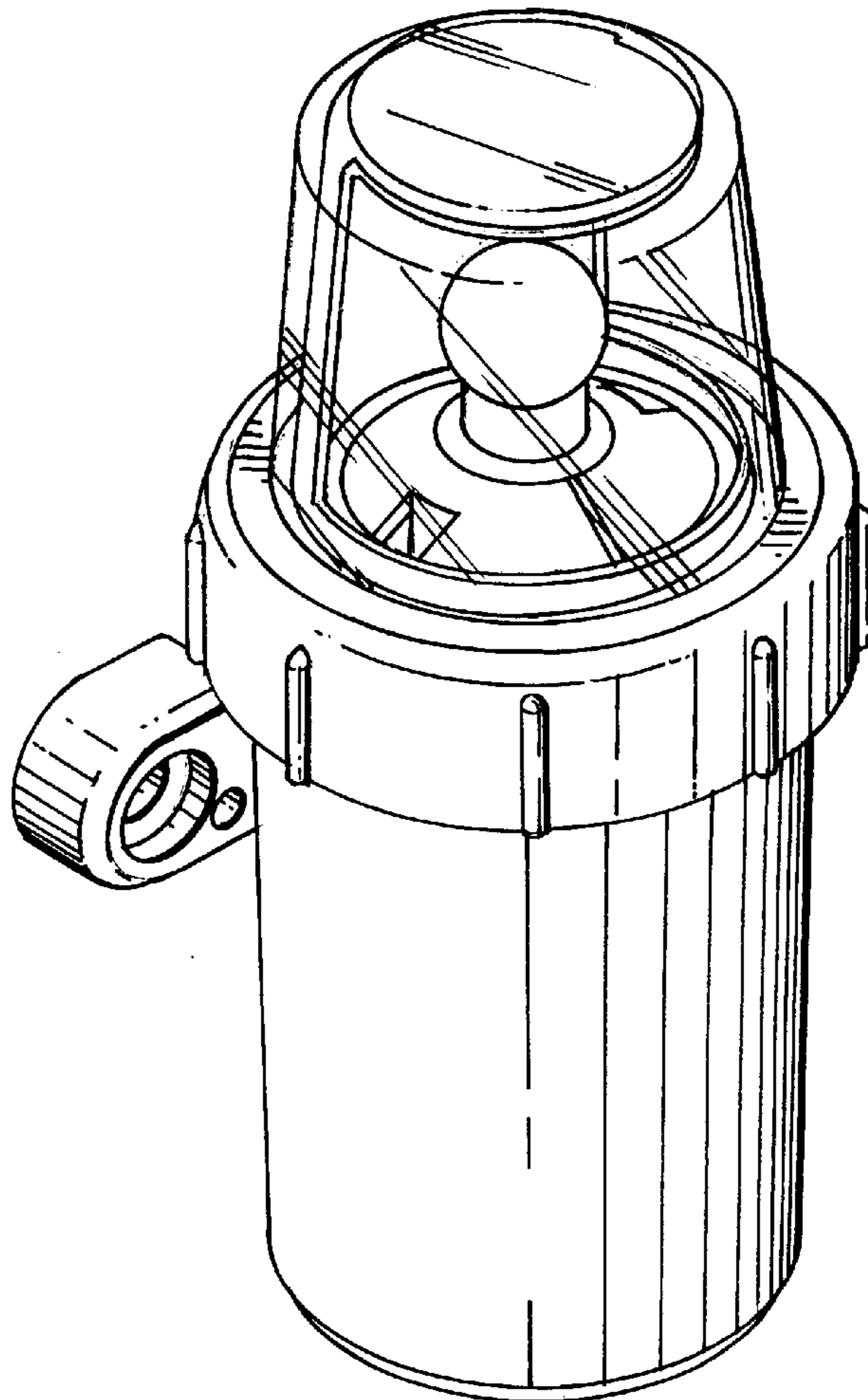
[57] **CLAIM**

The ornamental design for a navigation light, as shown and described.

DESCRIPTION

FIG. 1 is a perspective view of a navigation light according to the present invention;
FIG. 2 is a front elevational view of the navigation light of FIG. 1;
FIG. 3 is a rear elevational view thereof;
FIG. 4 is a right side elevational view thereof;
FIG. 5 is a left side elevational view thereof;
FIG. 6 is a top plan view thereof; and,
FIG. 7 is a bottom plan view.

1 Claim, 3 Drawing Sheets



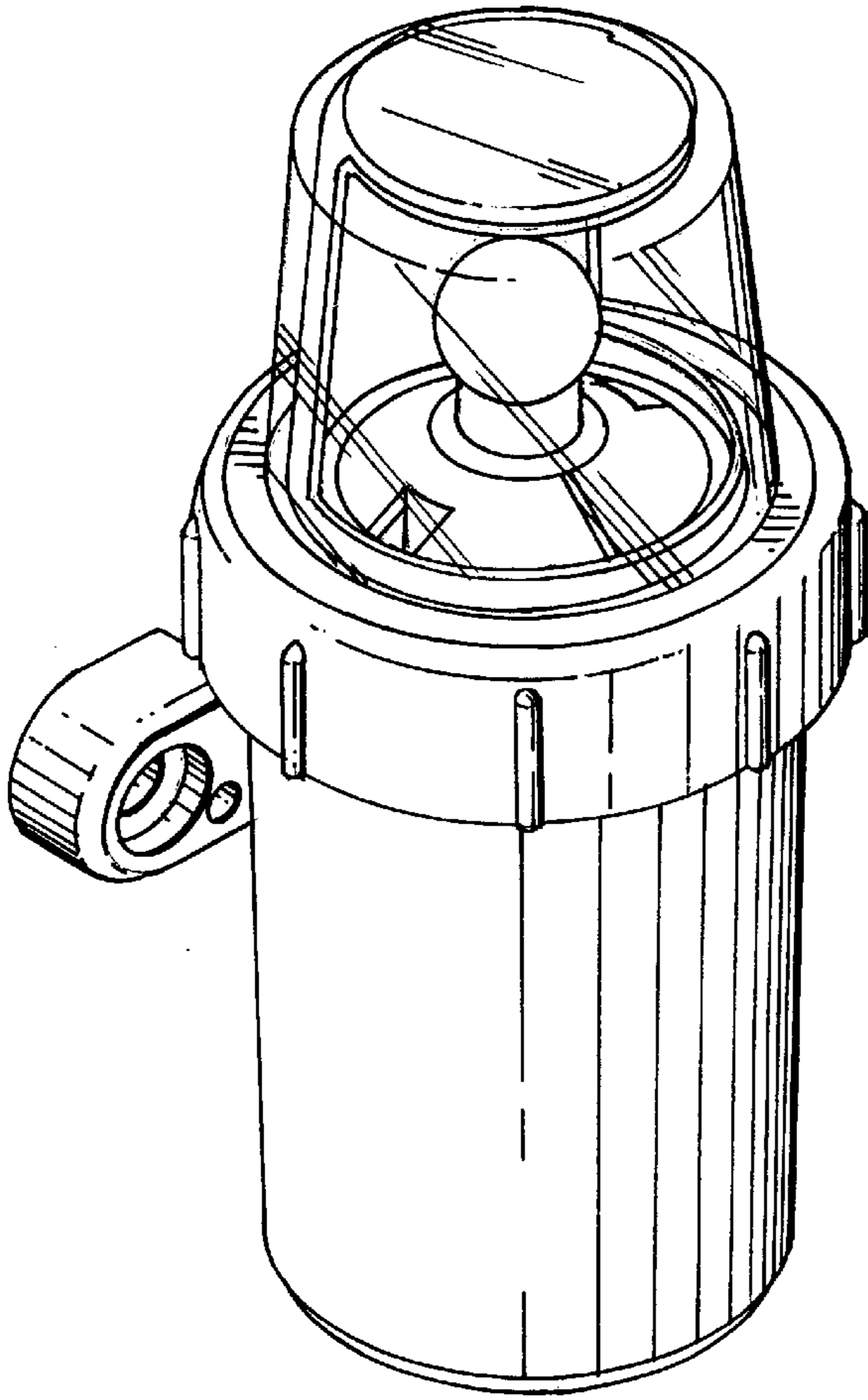


FIG. 1

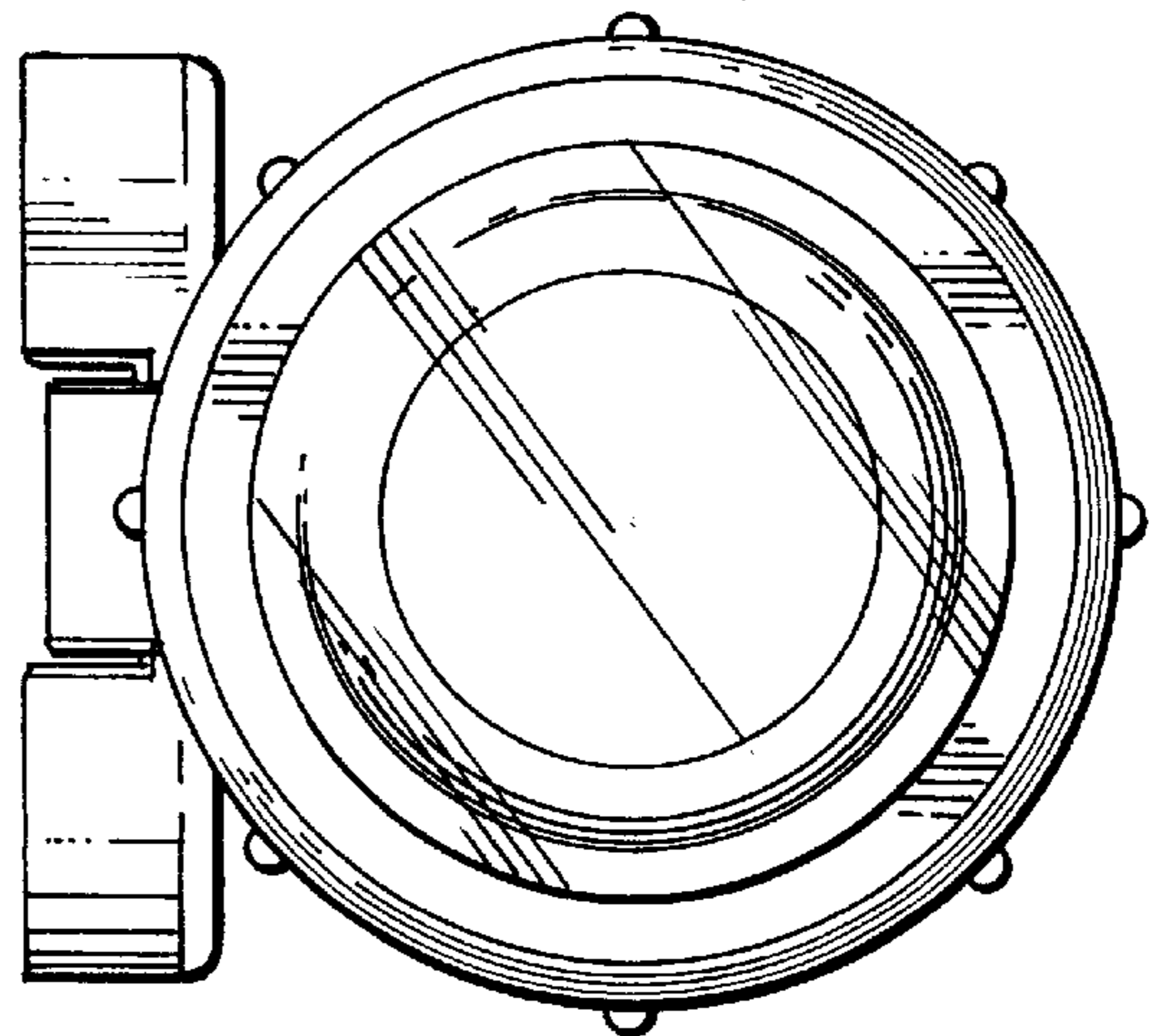


FIG. 6

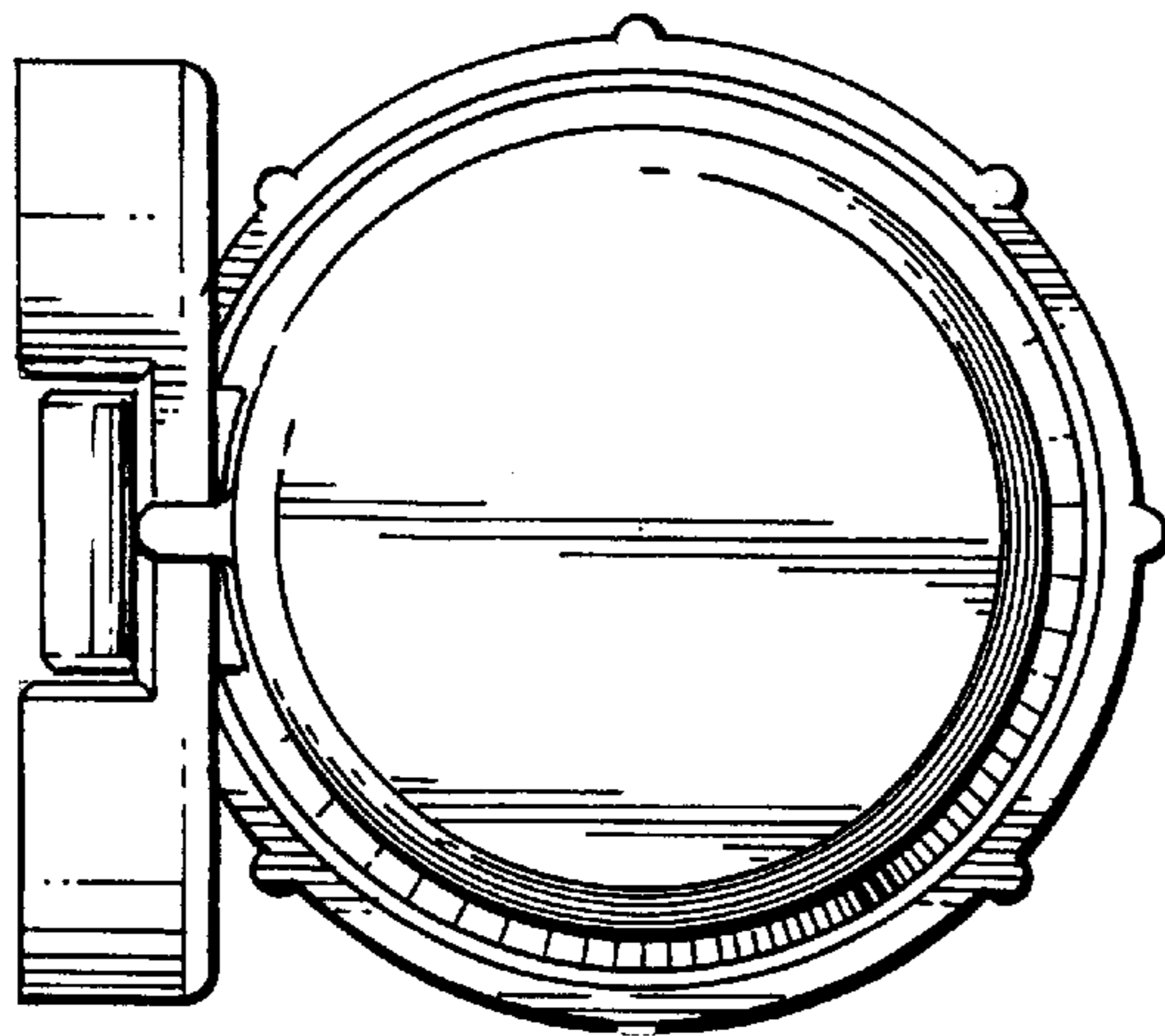


FIG. 7

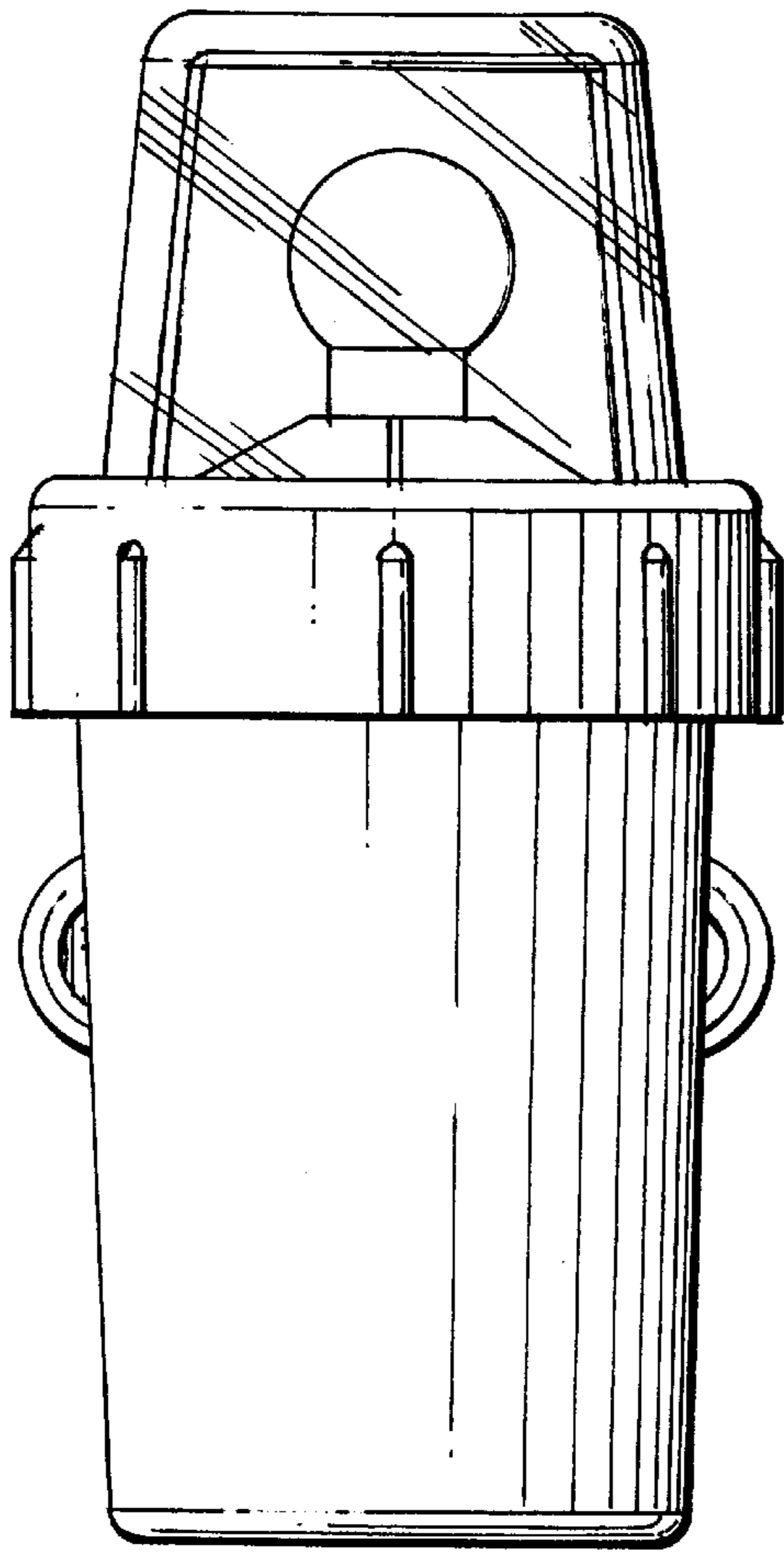


FIG. 2

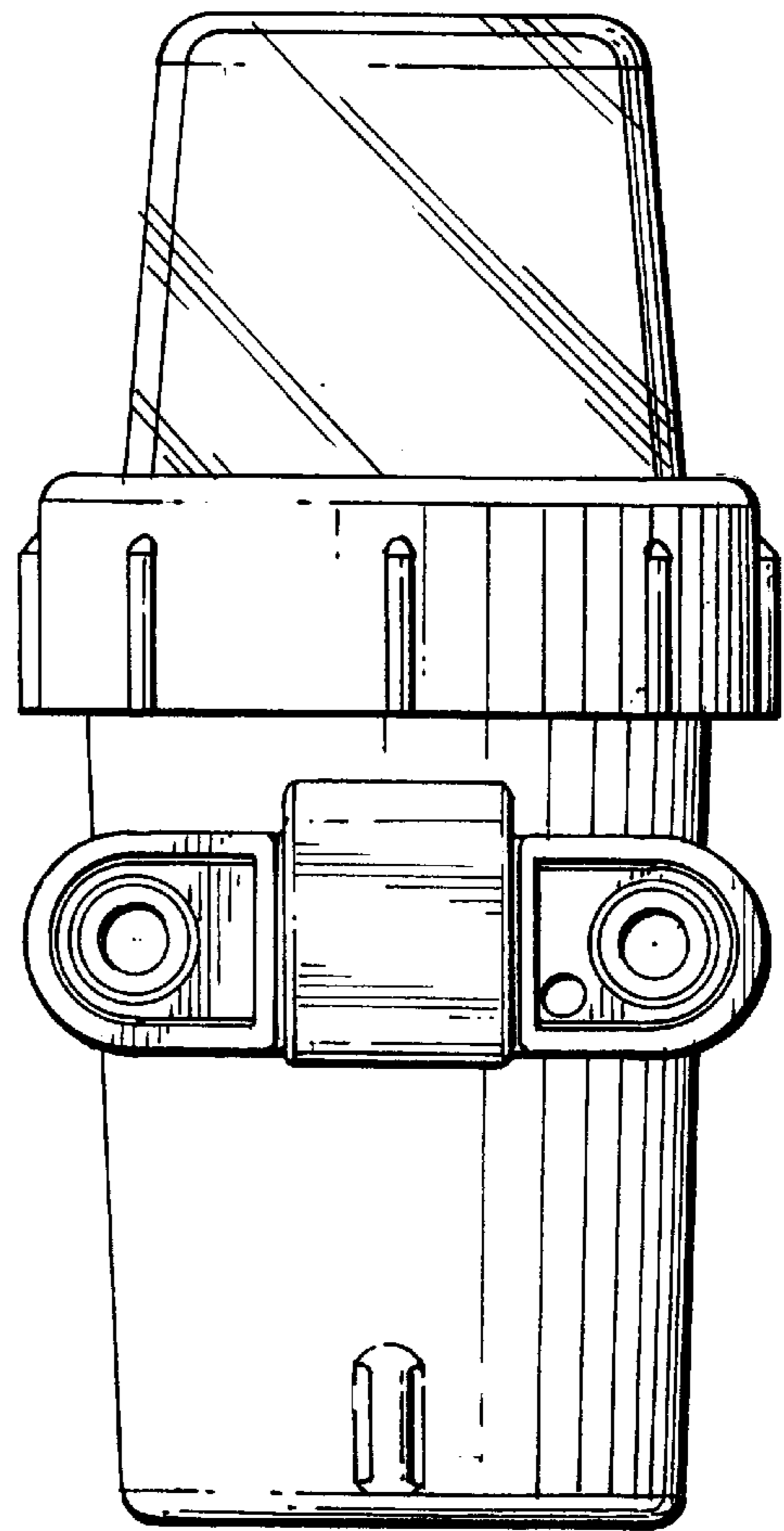


FIG. 3

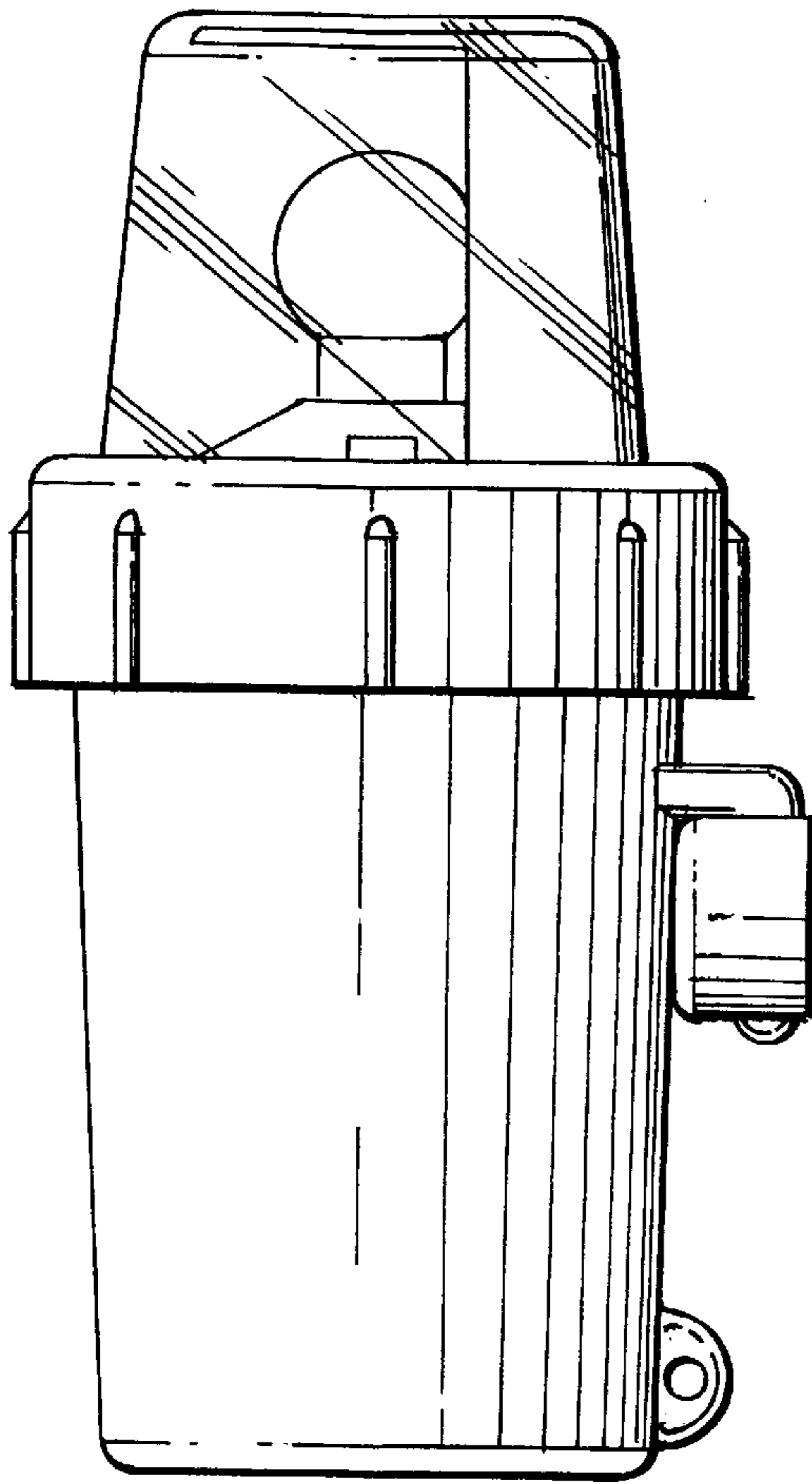


FIG. 4

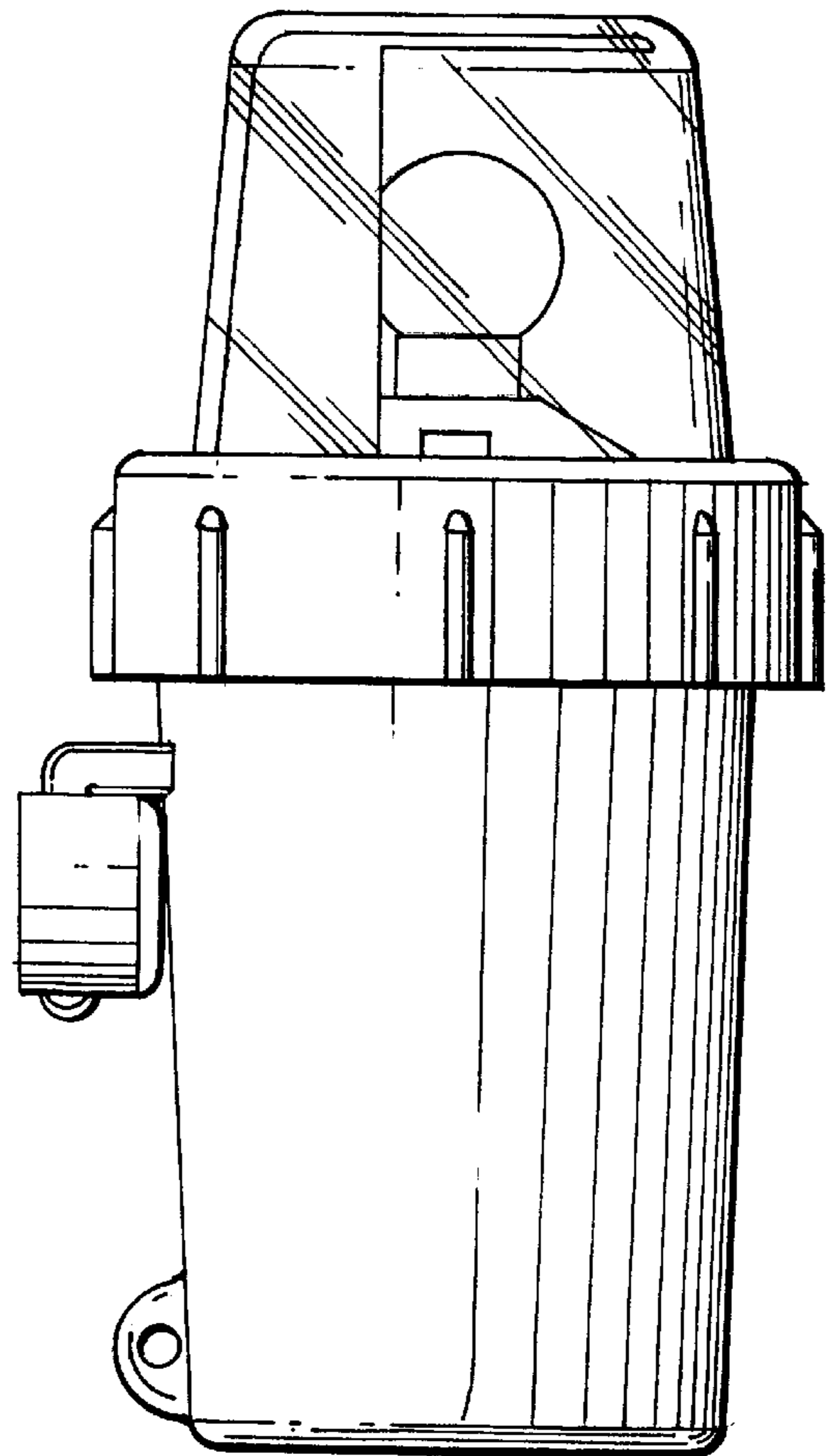


FIG. 5