



US00D403085S

United States Patent [19] Current

[11] **Patent Number: Des. 403,085**

[45] **Date of Patent: ***Dec. 22, 1998**

[54] **EXTRUDED SLATWALL SECTION**

[75] **Inventor: Wayne A. Current, Holmdel, N.J.**

[73] **Assignee: International Visual Corporation, Port Washington, N.Y.**

[*] **Notice:** The term of this patent shall not extend beyond the expiration date of Pat. Nos. D. 395,089 and D. 399,010.

[**] **Term: 14 Years**

[21] **Appl. No.: 61,832**

[22] **Filed: Oct. 31, 1996**

[51] **LOC (6) Cl. 25-01**

[52] **U.S. Cl. D25/123**

[58] **Field of Search** D25/138, 58, 123, D25/125; 211/94.01, 162, 189, 186; D6/449, 457, 471, 466, 467, 332, 511, 509

[56] **References Cited**

U.S. PATENT DOCUMENTS

D. 165,978 2/1952 Haman et al. D25/123

D. 307,260	4/1990	Happy et al.	D25/138
4,591,058	5/1986	Amstotz et al.	211/94.01
4,607,753	8/1986	Radek	211/94.01
4,615,448	10/1986	Johnstonbaugh	D25/138
4,805,783	2/1989	Mayer	211/94.01

*Primary Examiner—Doris Clark
Attorney, Agent, or Firm—Collard & Roe, P.C.*

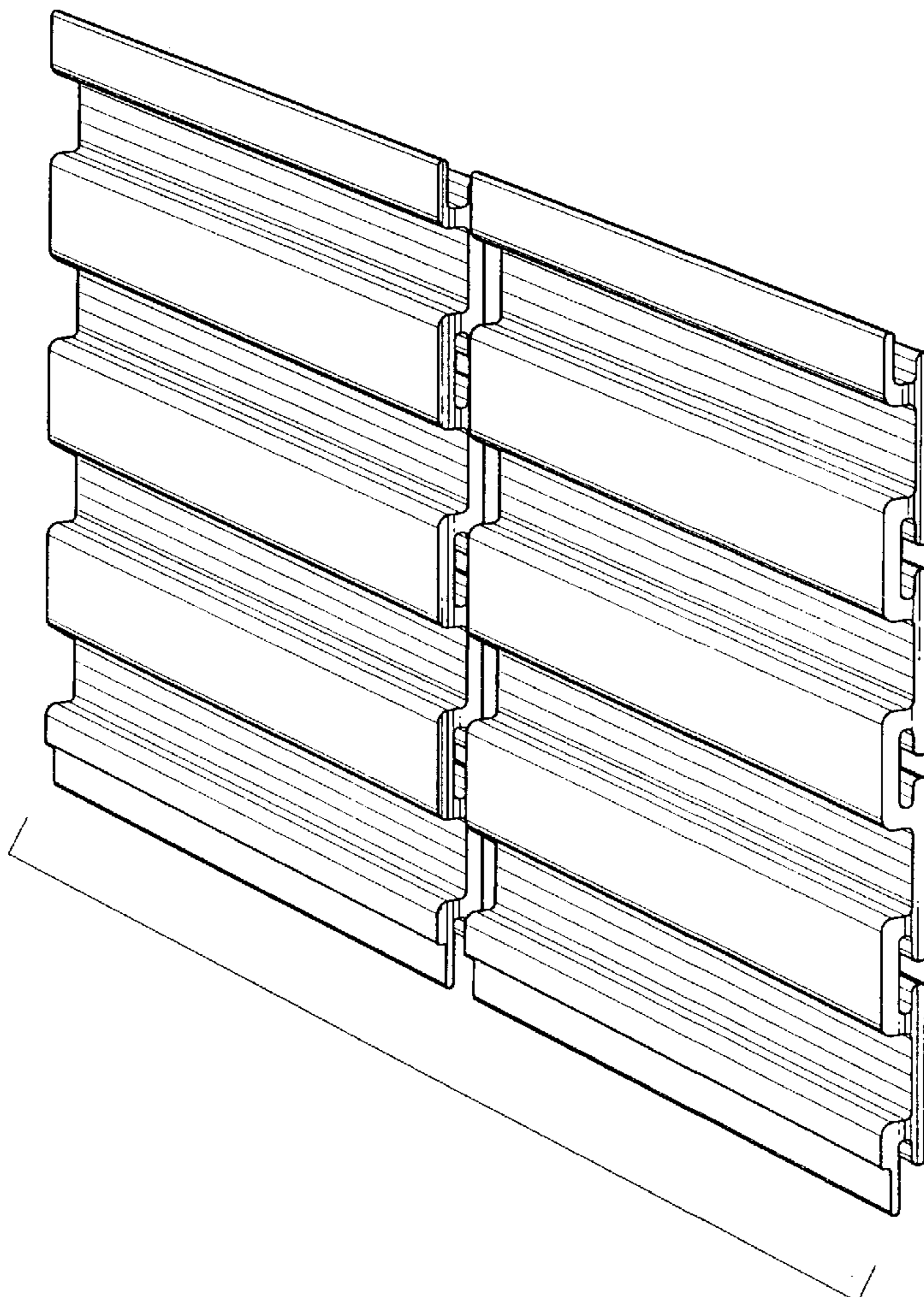
[57] **CLAIM**

The ornamental design for an extruded slatwall section, as shown and described.

DESCRIPTION

FIG. 1 is a front perspective view of an extruded slatwall section showing my new design;
FIG. 2 is a rear perspective view thereof;
FIG. 3 is a front view thereof;
FIG. 4 is a right side view thereof;
FIG. 5 is a back view thereof;
FIG. 6 is a left side view thereof;
FIG. 7 is a top plan view thereof; and,
FIG. 8 is a bottom plan view thereof.

1 Claim, 2 Drawing Sheets



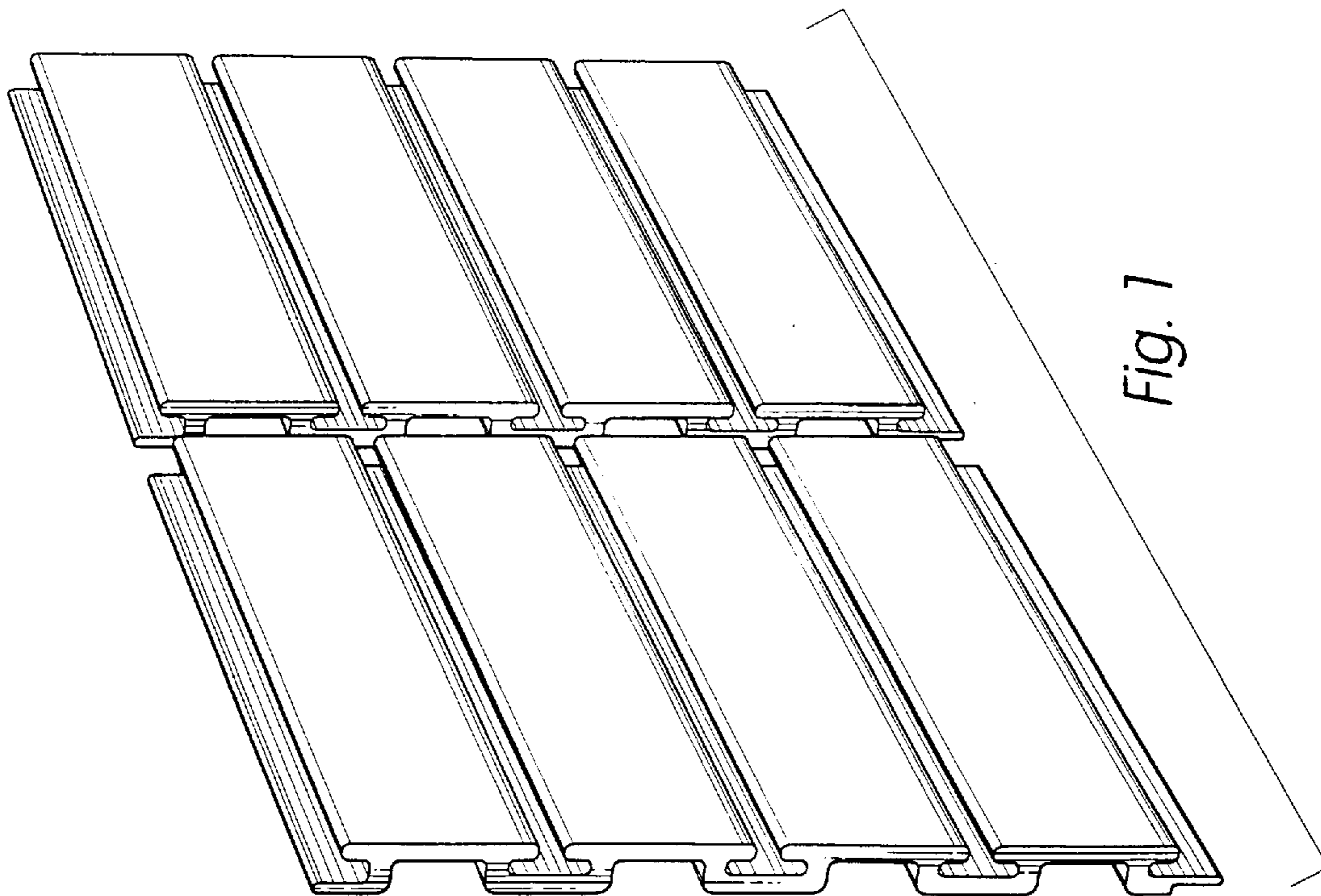
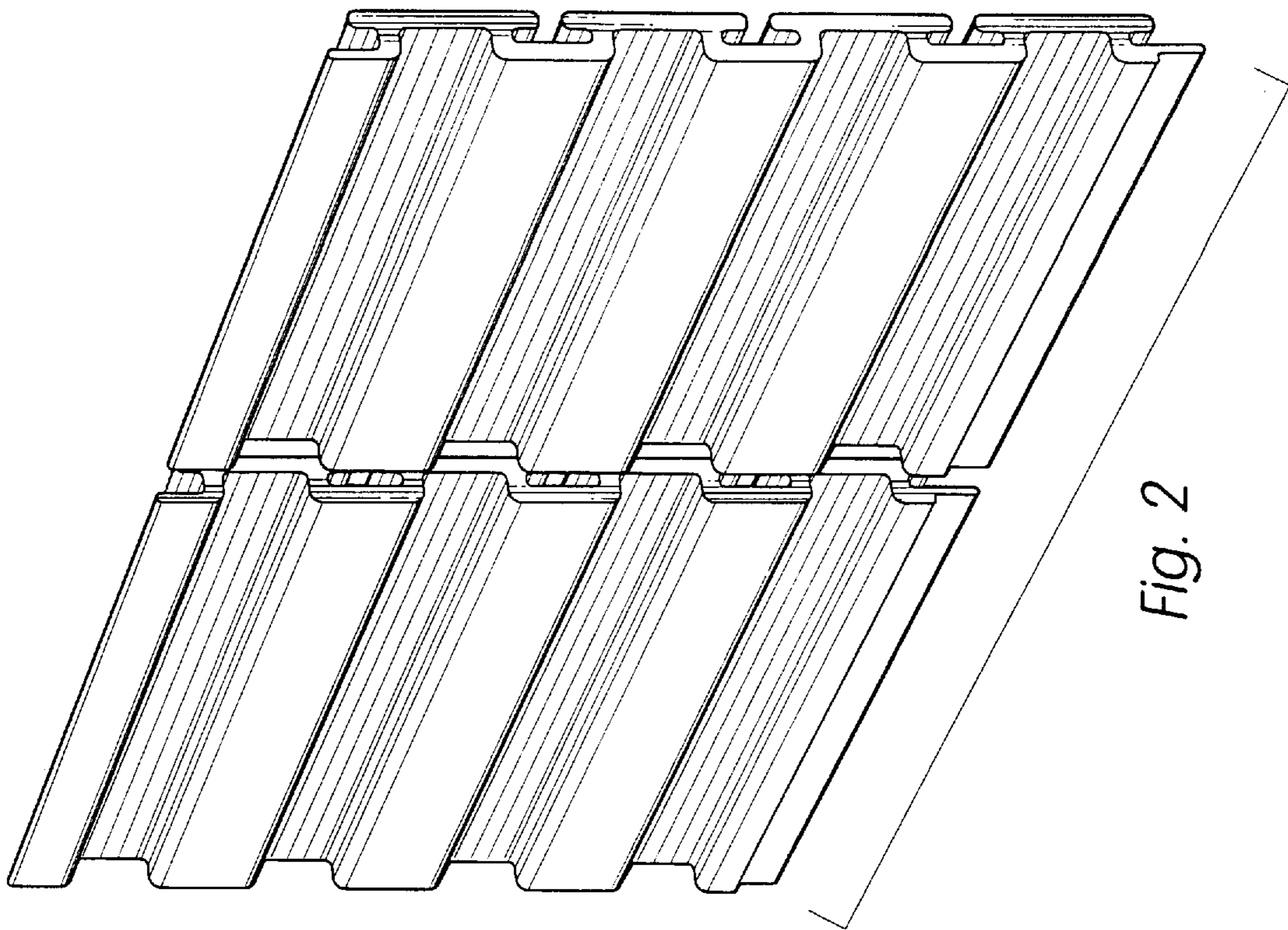




Fig. 6

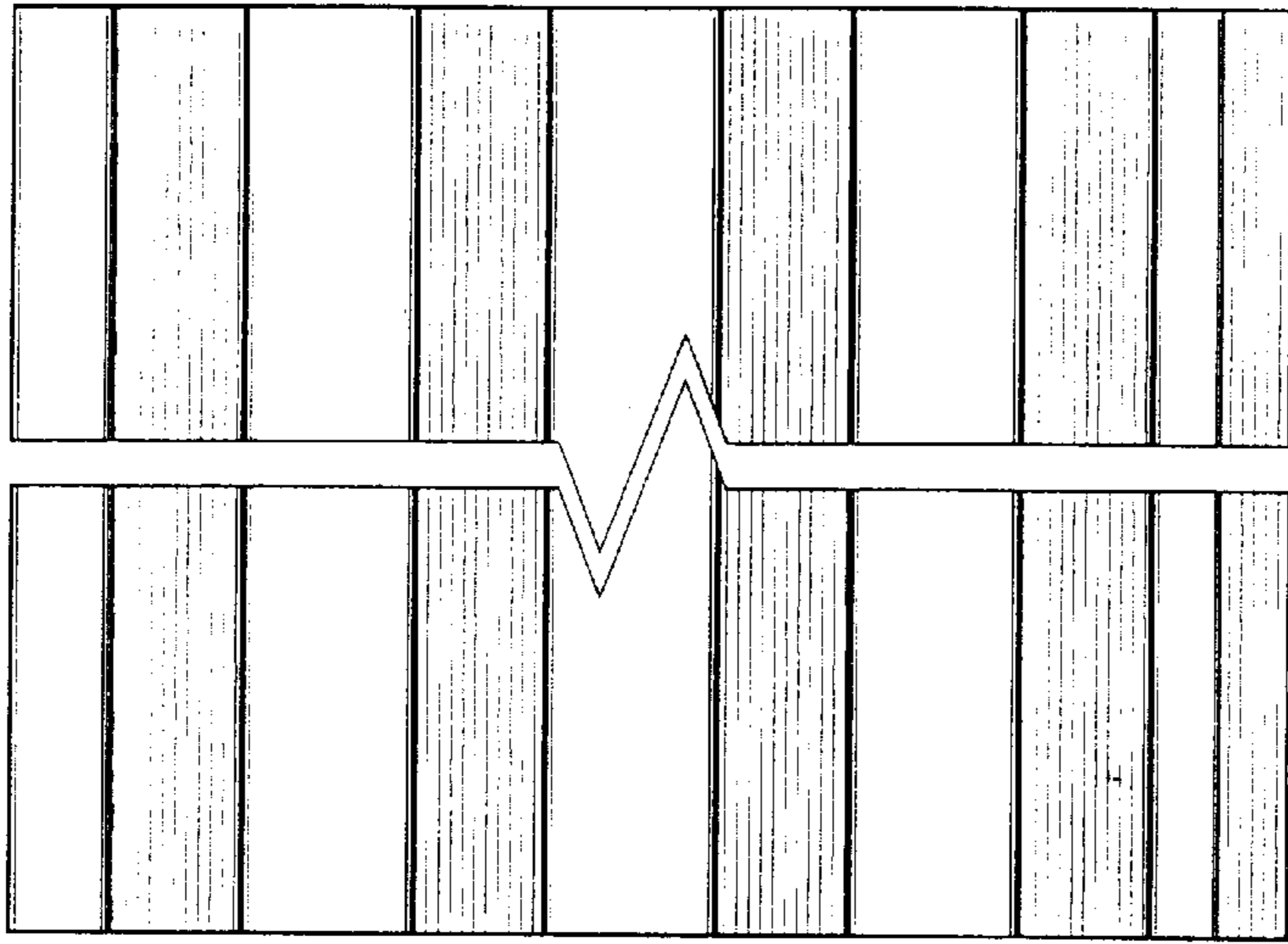


Fig. 5



Fig. 4

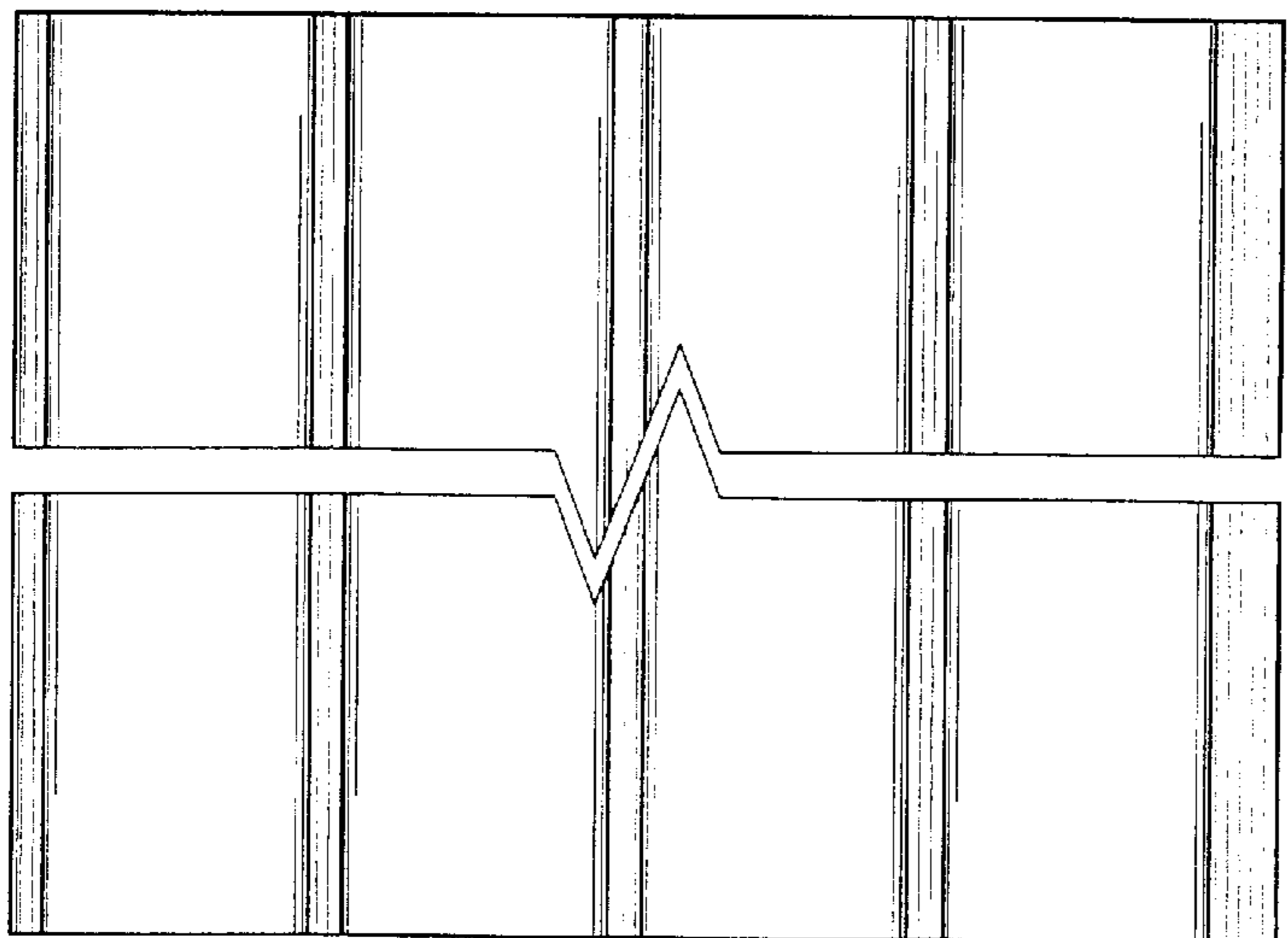


Fig. 3

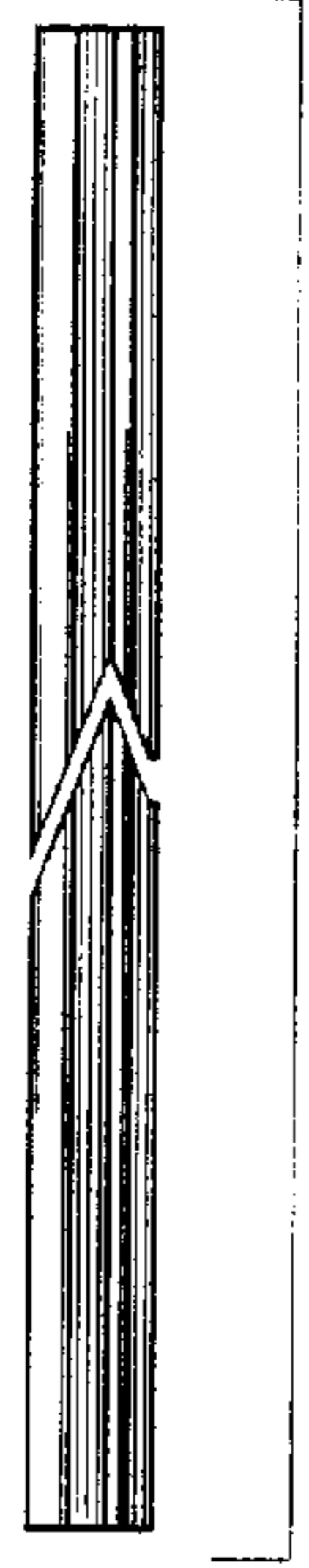


Fig. 8



Fig. 7