



US00D403082S

United States Patent [19]

Love et al.

[11] **Patent Number: Des. 403,082**

[45] **Date of Patent: **Dec. 22, 1998**

[54] **ROOF STRUCTURE**

D. 302,820 8/1989 Bass D25/56

[75] Inventors: **Timothy D. Love**, Boston, Mass.;
Raymond M. Poelvoorde; Peter A. Dixon, both of New York, N.Y.

Primary Examiner—Doris Clark
Attorney, Agent, or Firm—Bill D. McCarthy; Phillip L. Free, Jr.; Randall K. McCarthy

[73] Assignee: **America's Drive-In Trust**, Reno, Nev.

[57] **CLAIM**

[**] Term: **14 Years**

The ornamental design for a roof structure, as shown and described.

[21] Appl. No.: **78,233**

DESCRIPTION

[22] Filed: **Oct. 22, 1997**

FIG. 1 is an elevational view of a front of a roof structure showing our new design;

[51] **LOC (6) Cl.** **25-02**

FIG. 2 is an elevational view of a rear of the roof structure;

[52] **U.S. Cl.** **D25/56**

FIG. 3 is an elevational view of a left side of the roof structure;

[58] **Field of Search** D25/56; 52/23,
52/90.1, 91.1; 135/90, 115, 87

FIG. 4 is an elevational view of a right side of the roof structure;

[56] **References Cited**

FIG. 5 is a plan view of a top of the roof structure; and,

U.S. PATENT DOCUMENTS

FIG. 6 is a plan view of a bottom of the roof structure.

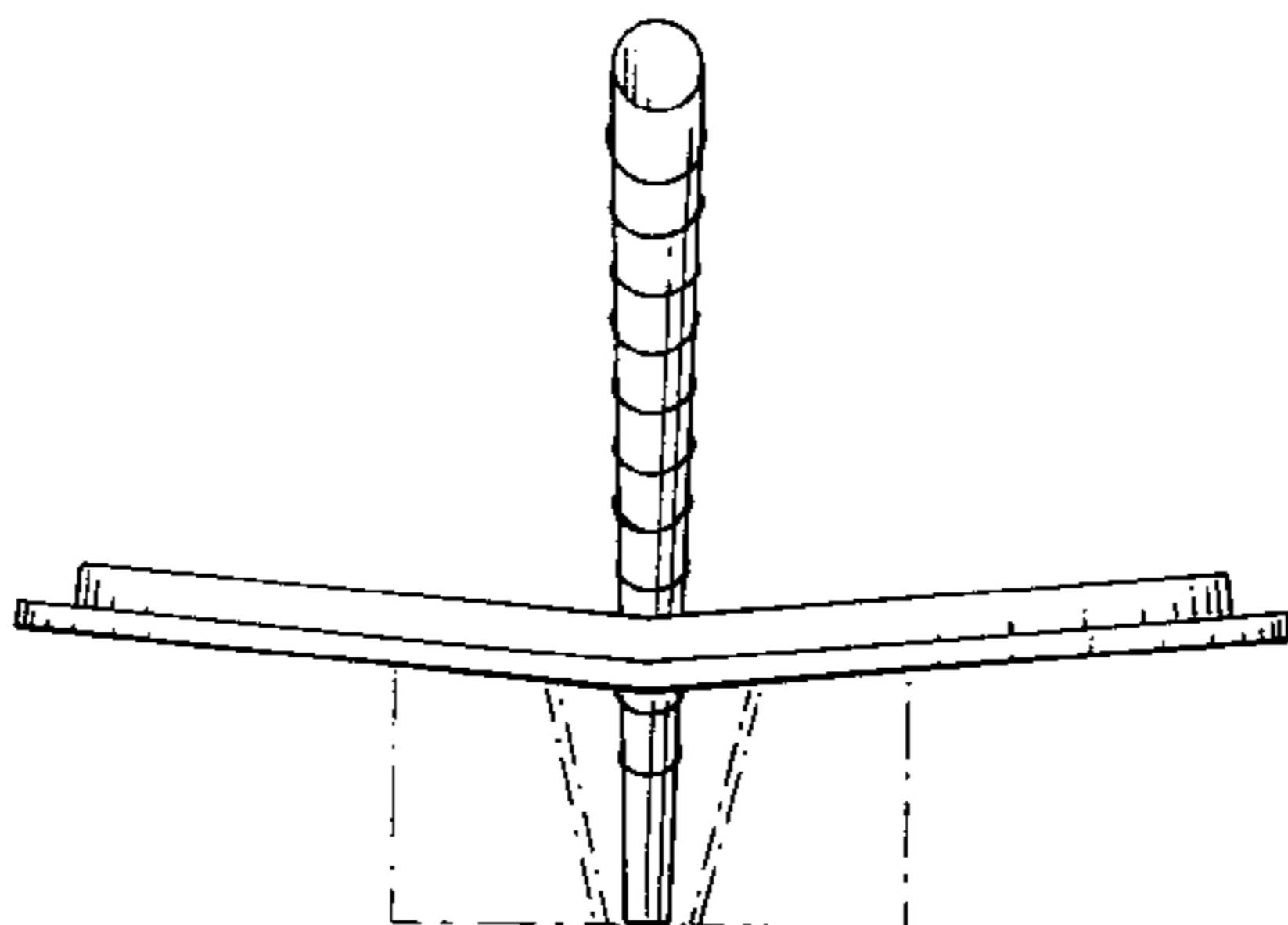
D. 148,928 3/1948 Hardesty D25/56

The broken lines illustrating a building is for illustrative purposes only, and forms no part of the claimed design.

D. 172,973 9/1954 Kane D25/56

D. 237,131 10/1975 Lee D25/56

1 Claim, 4 Drawing Sheets



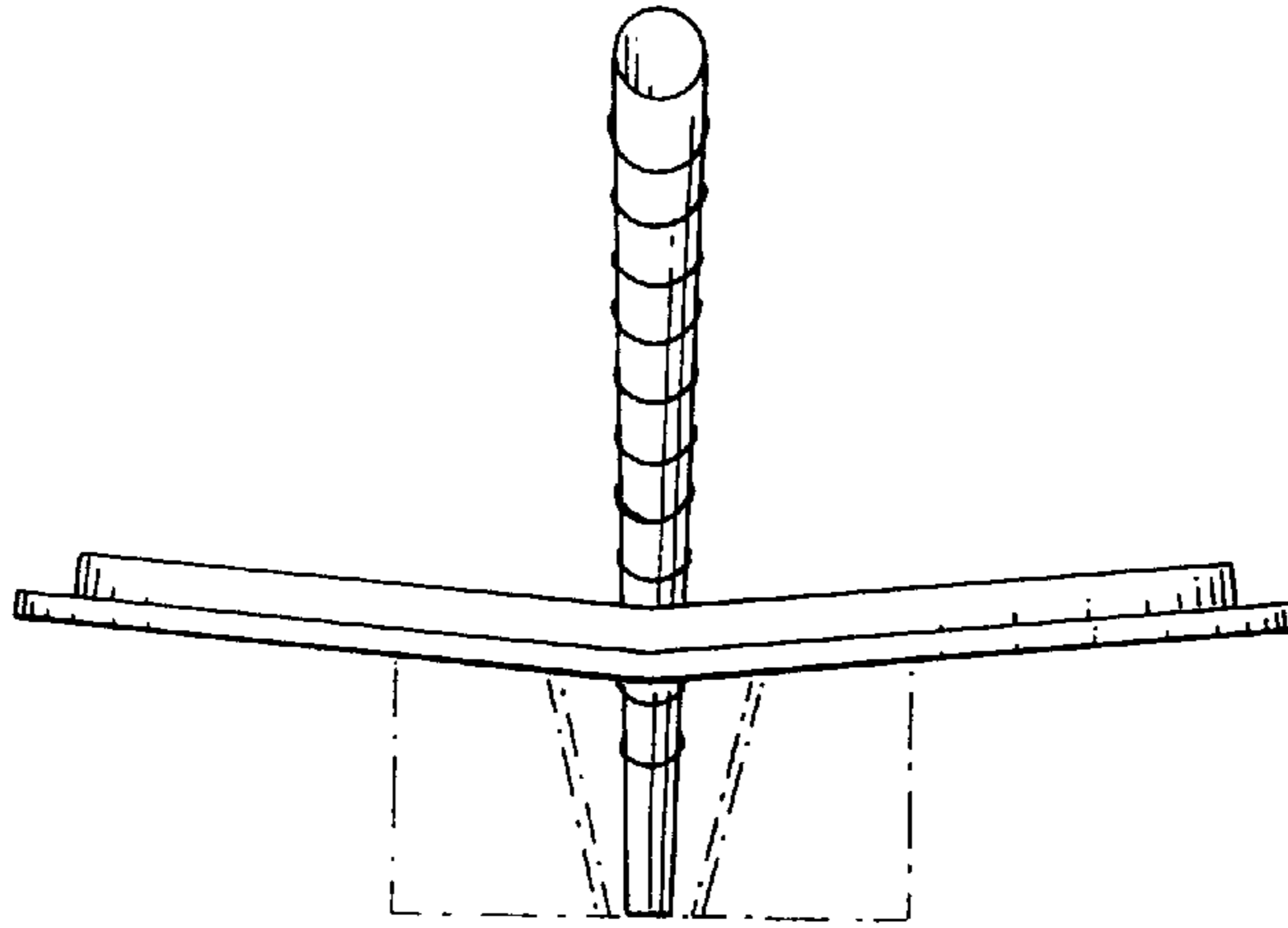


FIG. 1

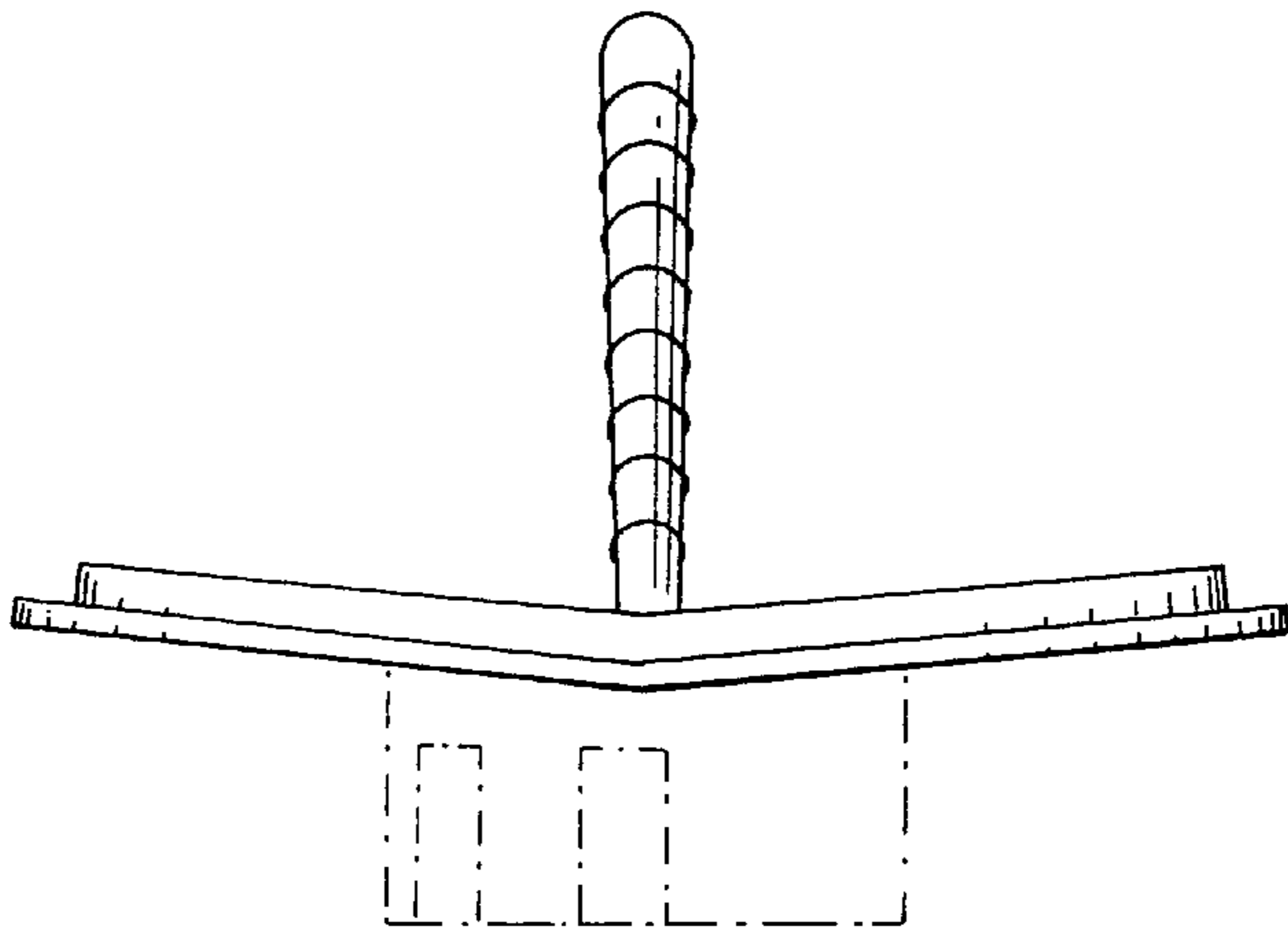


FIG. 2

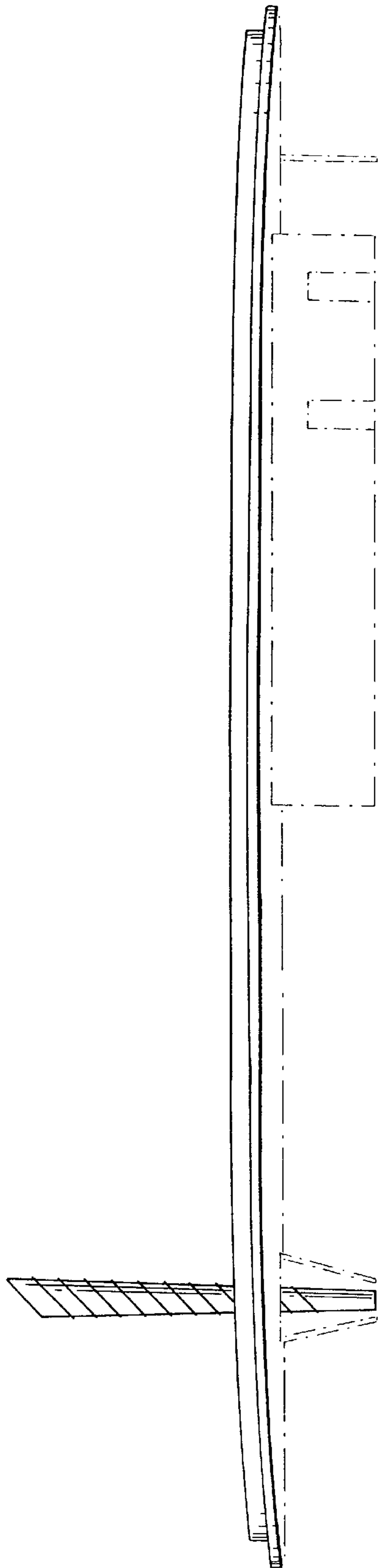
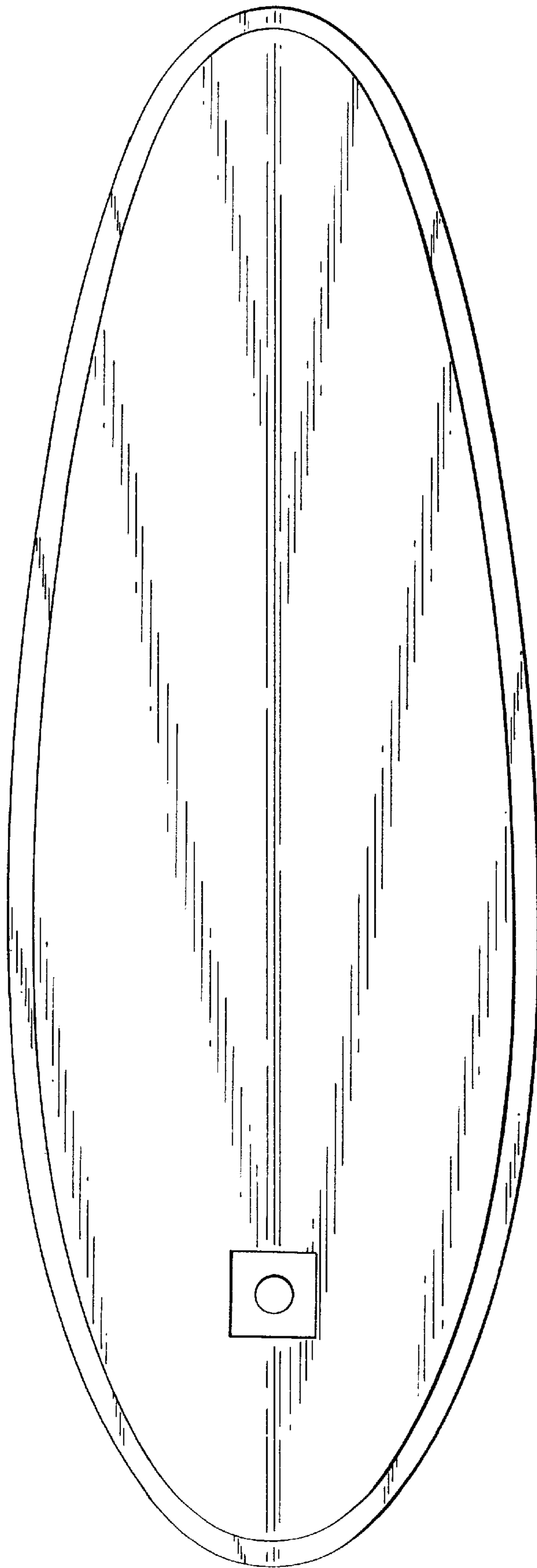


FIG. 3



FIG. 4



U.S. PATENT

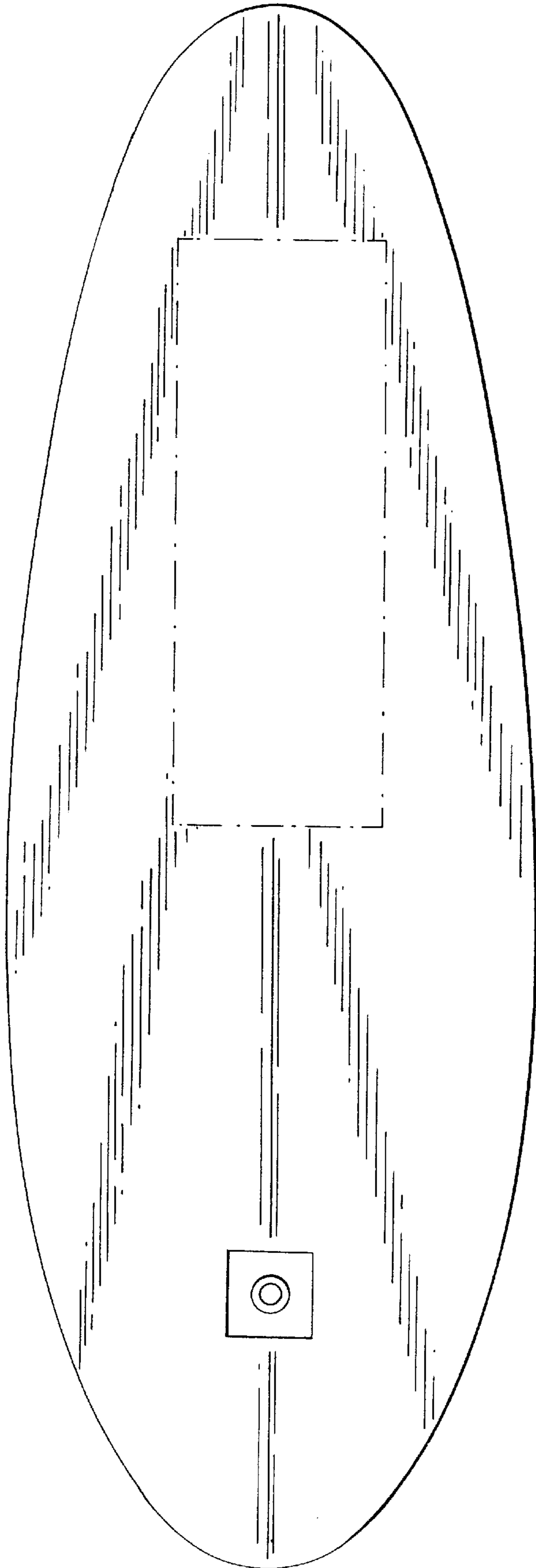


FIG. 4

UNITED STATES PATENT AND TRADEMARK OFFICE
CERTIFICATE OF CORRECTION

PATENT NO. : Des. 403,082

DATED : December 22, 1998

INVENTOR(S) : Timothy D. Love, Raymond M. Poelvoorde and Peter A. Dixob

It is certified that error appears in the above-identified patent and that said Letters Patent is hereby corrected as shown below:

Title page,

In the Description, Fig. 6, second sentence,

delete ":illustraiting" and substitute

--:illustrating--.

Signed and Sealed this
Sixth Day of June, 2000

Attest:



Q. TODD DICKINSON

Attesting Officer

Director of Patents and Trademarks