



US00D403081S

United States Patent [19]

Luzzardi et al.

[11] **Patent Number: Des. 403,081**

[45] **Date of Patent: **Dec. 22, 1998**

[54] **PARKING SPACE COVER**

5,185,972 2/1993 Markiewicz 52/73

[76] Inventors: **Lucio J. Luzzardi; Tamara L. Luzzardi**, both of 6885 E. Cochise Rd., #204, Scottsdale, Ariz. 85253

Primary Examiner—Doris Clark
Attorney, Agent, or Firm—Warren F. B. Lindsley

[**] Term: **14 Years**

[57] **CLAIM**

The ornamental design for a parking space cover, as shown described.

[21] Appl. No.: **69,798**

[22] Filed: **Apr. 21, 1997**

DESCRIPTION

[51] **LOC (6) Cl.** **25-02**

[52] **U.S. Cl.** **D25/56**

[58] **Field of Search** D25/56; 135/87, 135/88.01, 88.05; 52/73, 63

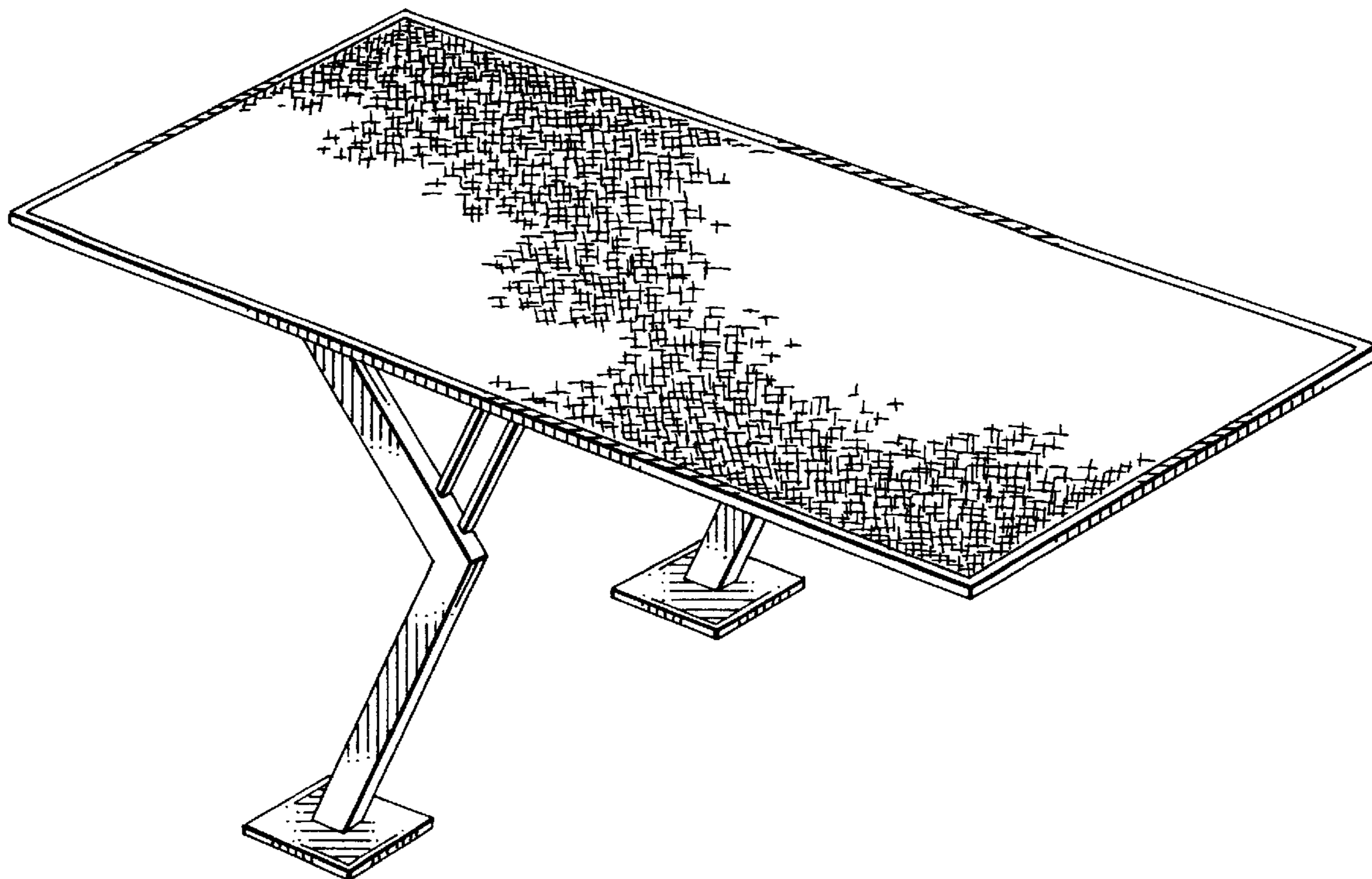
FIG. 1 is a perspective view of the top, front and right side of a parking space cover and embodying the invention; FIG. 2 is a right side elevational view of FIG. 1 with the left side being a mirror image thereof; FIG. 3 is a front view of FIG. 1; FIG. 4 is a rear view of FIG. 1; FIG. 5 is a top plan view of FIG. 1; and, FIG. 6 is a bottom plan view of FIG. 1.

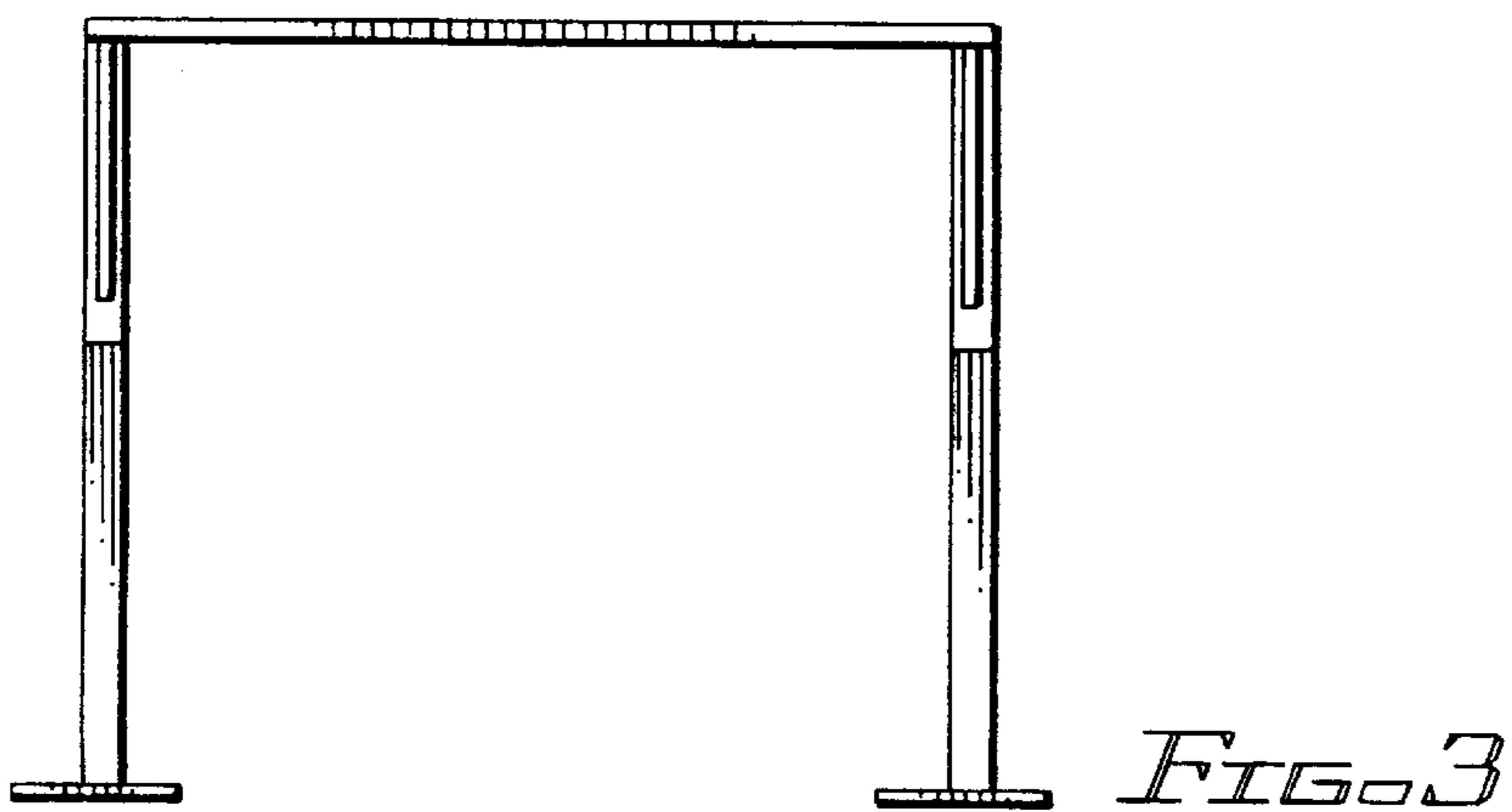
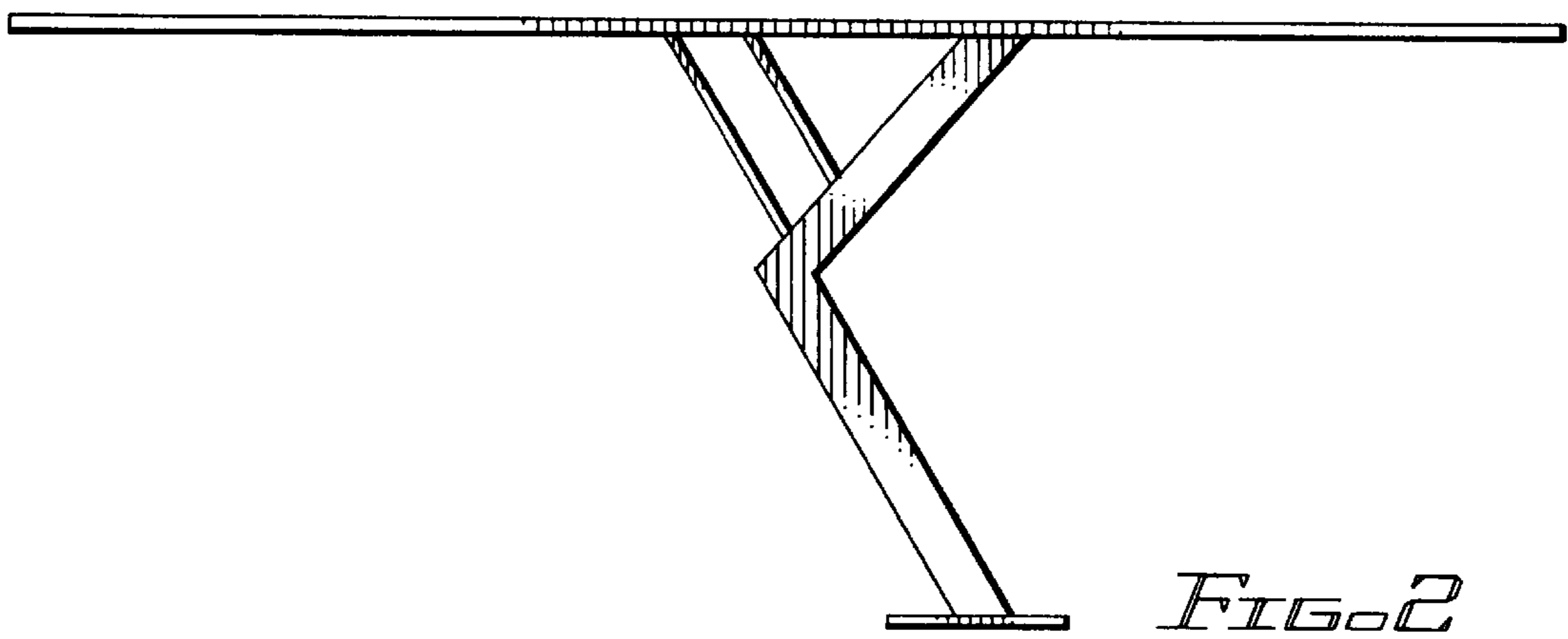
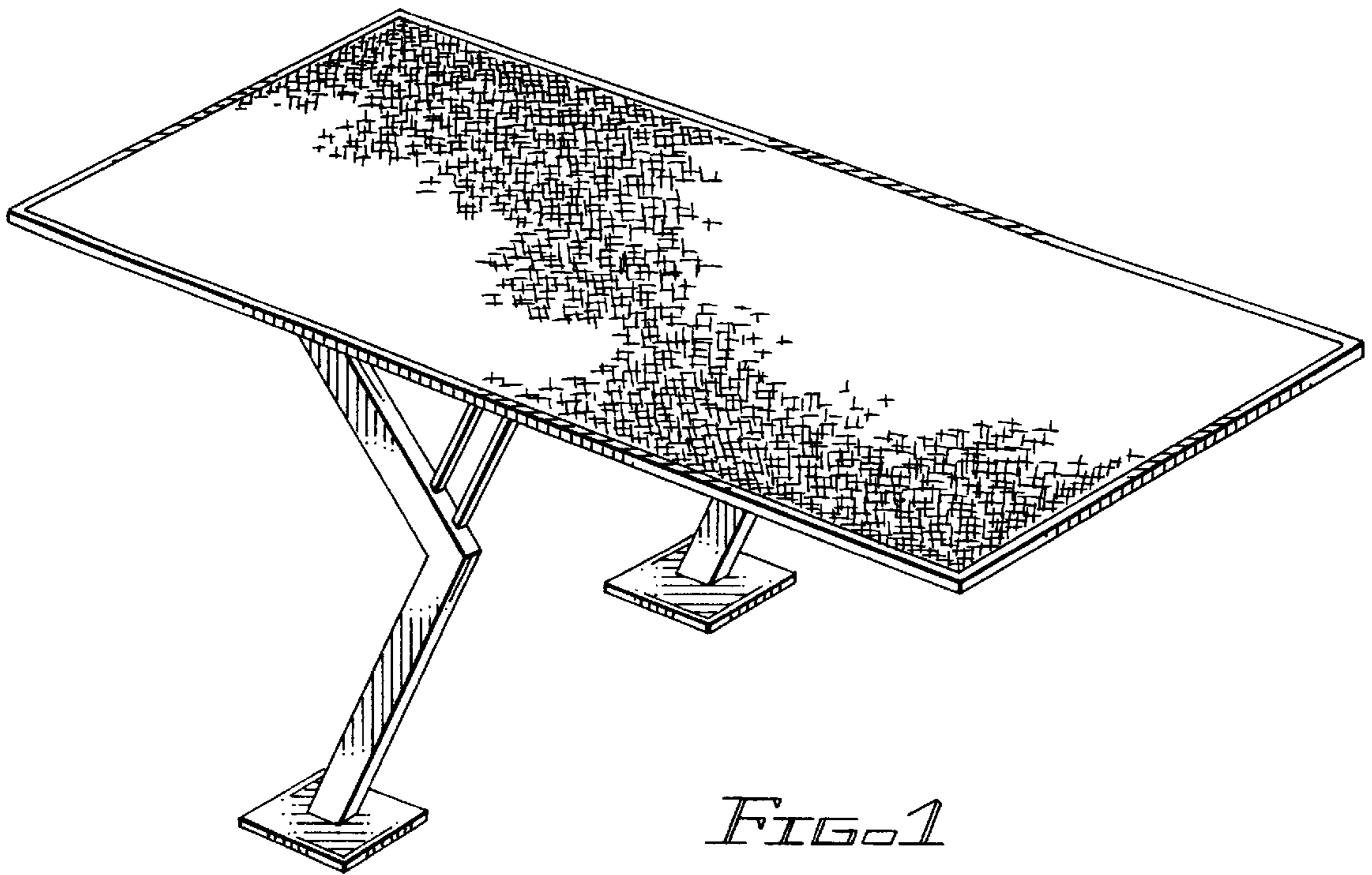
[56] **References Cited**

U.S. PATENT DOCUMENTS

D. 363,790 10/1995 Boyd D25/56
3,870,061 3/1975 Lowery 135/87

1 Claim, 2 Drawing Sheets





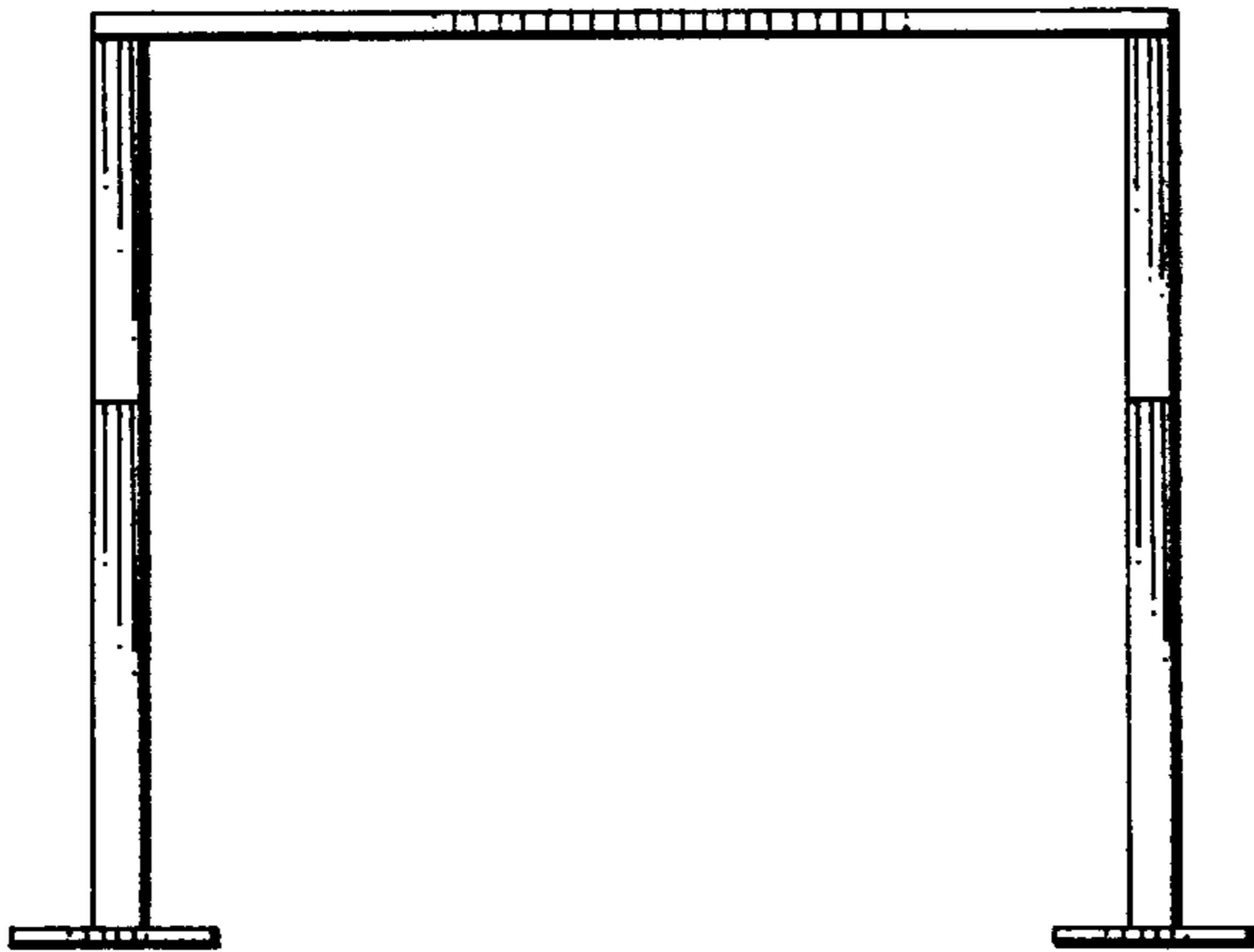


FIG. 4

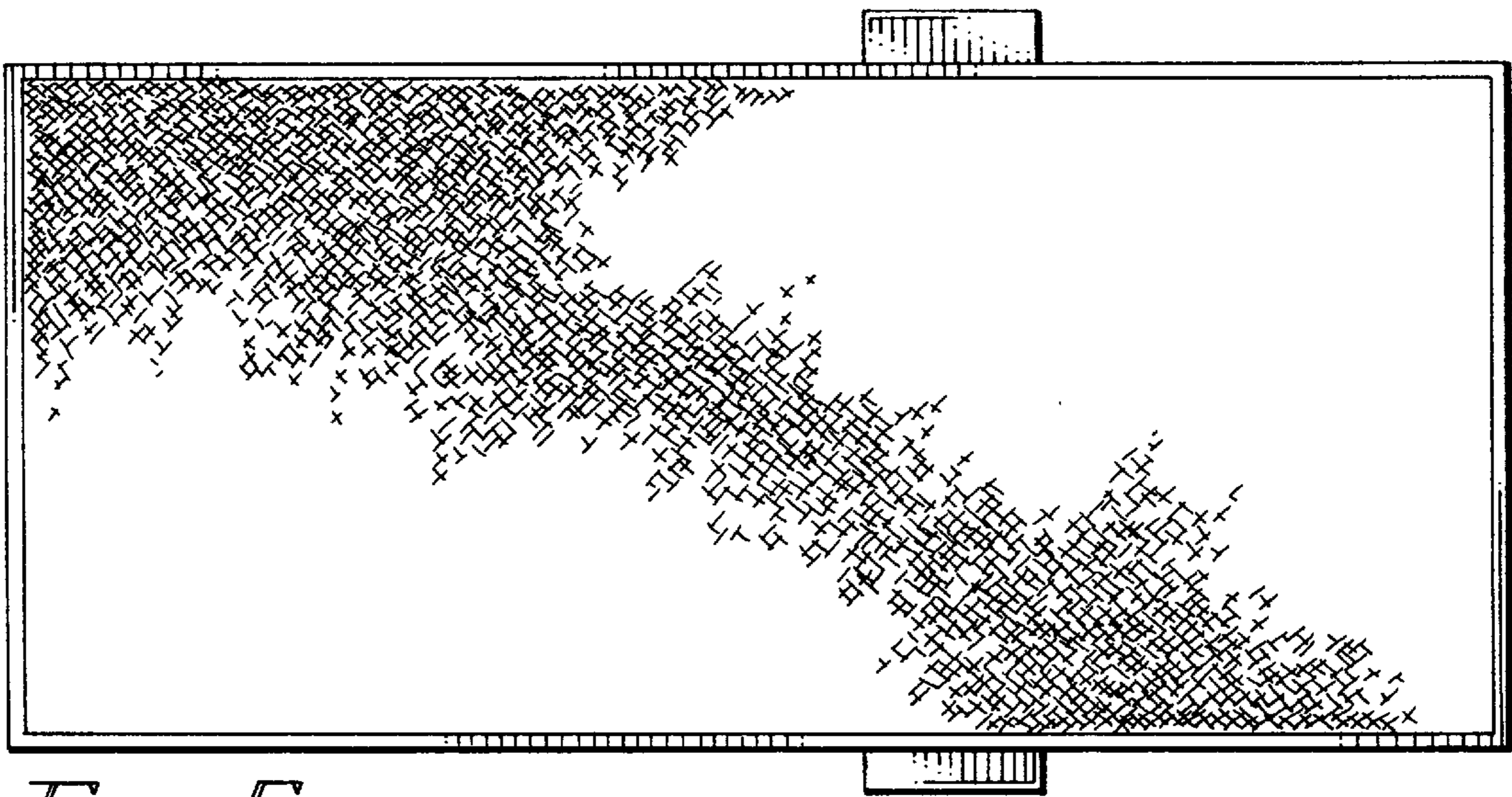


FIG. 5

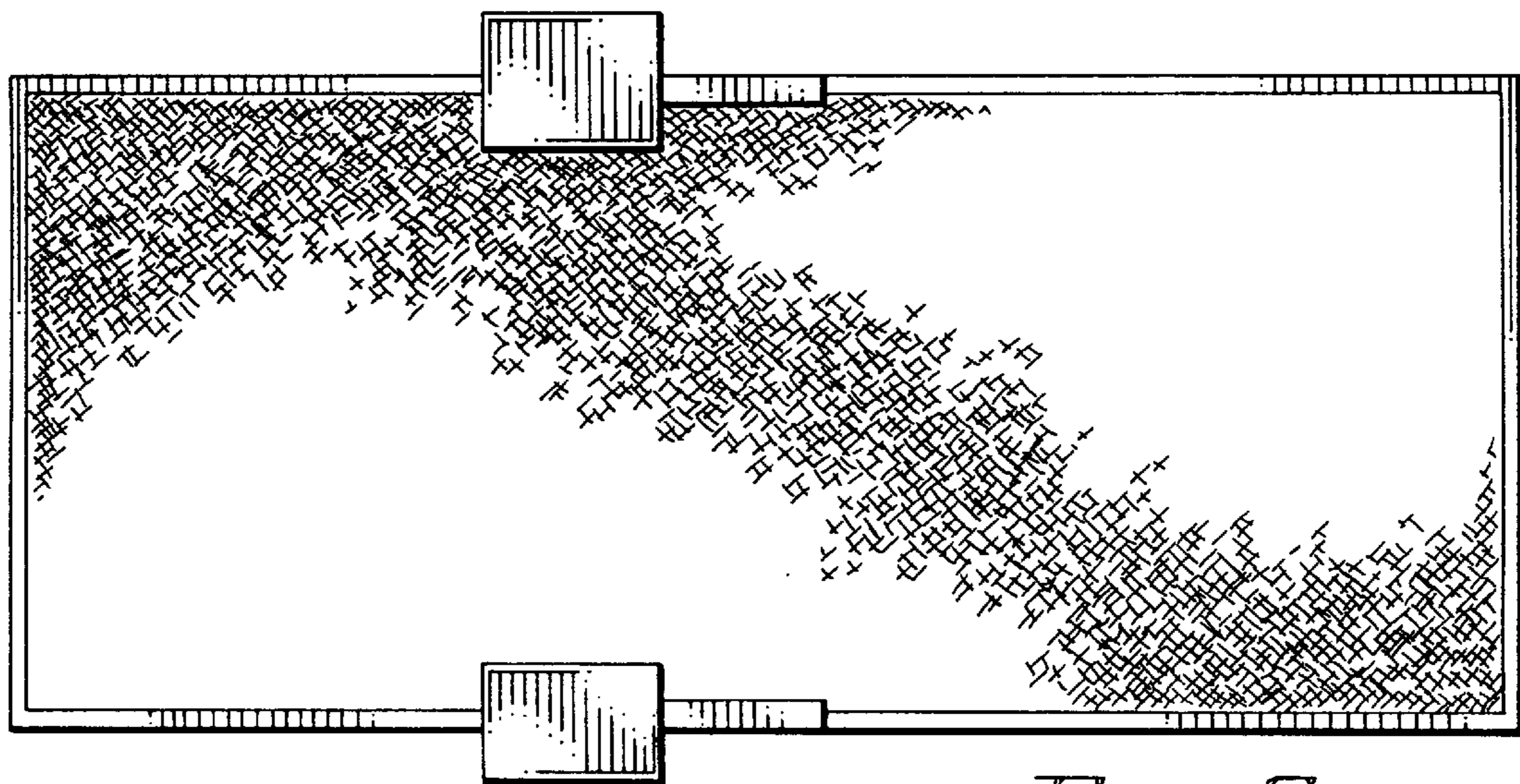


FIG. 6