



US00D403080S

United States Patent [19]

Mignone, Jr.

[11] **Patent Number: Des. 403,080**

[45] **Date of Patent: **Dec. 22, 1998**

[54] **POOL COPING**

3,835,481 9/1974 Engelhart et al. 4/506

[76] Inventor: **Michael Mignone, Jr.**, 5612 NW. 8th St., Margate, Fla. 33068

Primary Examiner—Doris Clark
Attorney, Agent, or Firm—Robert M. Downey, PA

[**] Term: **14 Years**

[57] **CLAIM**

[21] Appl. No.: **67,348**

The ornamental design for a pool coping, as shown and described.

[22] Filed: **Mar. 4, 1997**

DESCRIPTION

[51] **LOC (6) Cl.** **25-03**

[52] **U.S. Cl.** **D25/2**

[58] **Field of Search** D25/199, 136,
D25/164, 2, 119; 4/496, 506-507, 510-511;
52/102, 300

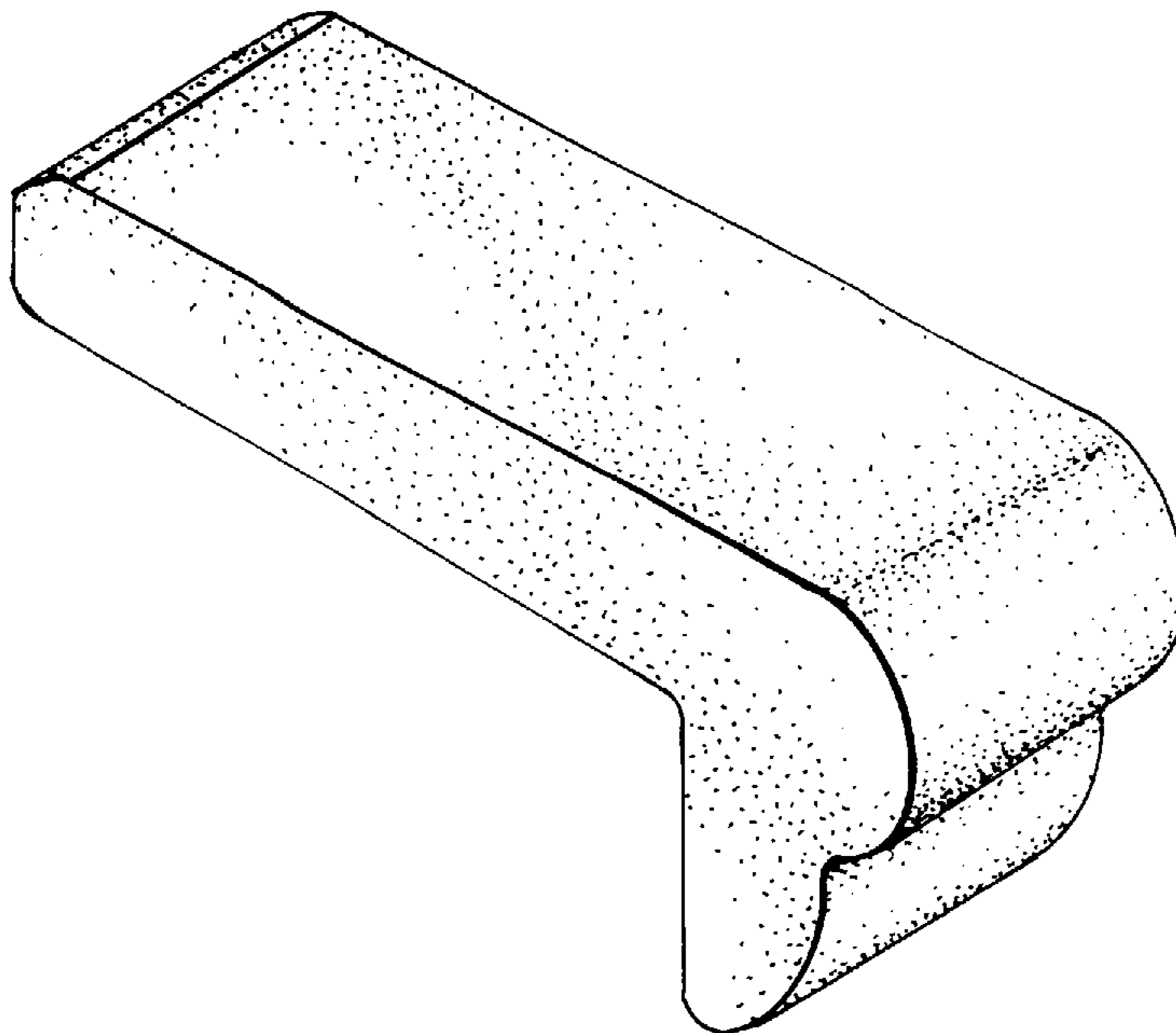
FIG. 1 is a front, top perspective view of the pool coping showing my new design;
FIG. 2 is a side elevational view thereof, the opposite side elevation being identical;
FIG. 3 is a top plan view thereof;
FIG. 4 is a bottom plan view thereof;
FIG. 5 is a front elevational view thereof; and,
FIG. 6 is a rear elevational view thereof.

[56] **References Cited**

U.S. PATENT DOCUMENTS

- D. 124,037 12/1940 Lowry D25/119
- D. 342,322 12/1993 Dallaire D25/2

1 Claim, 1 Drawing Sheet



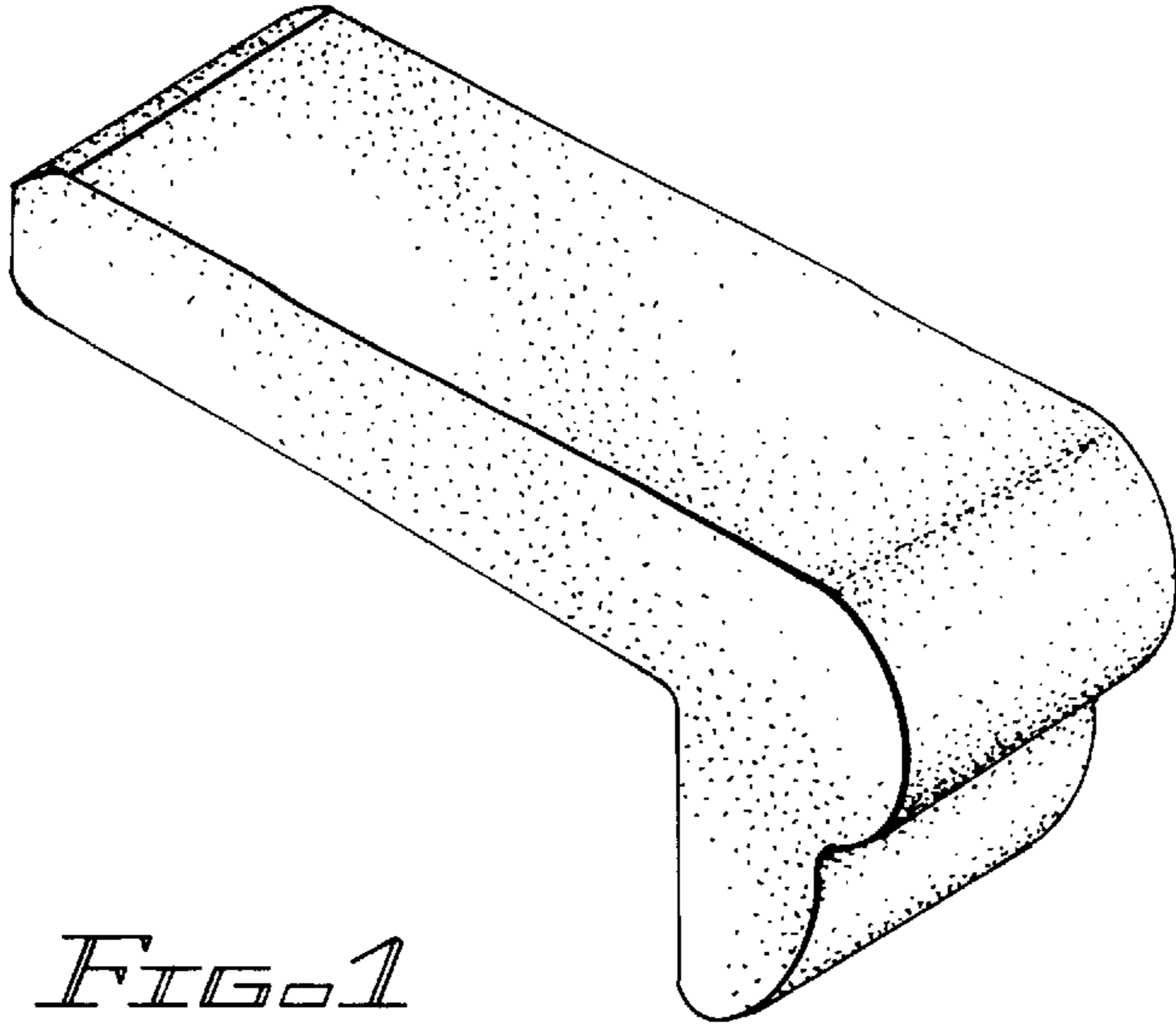


FIG. 1

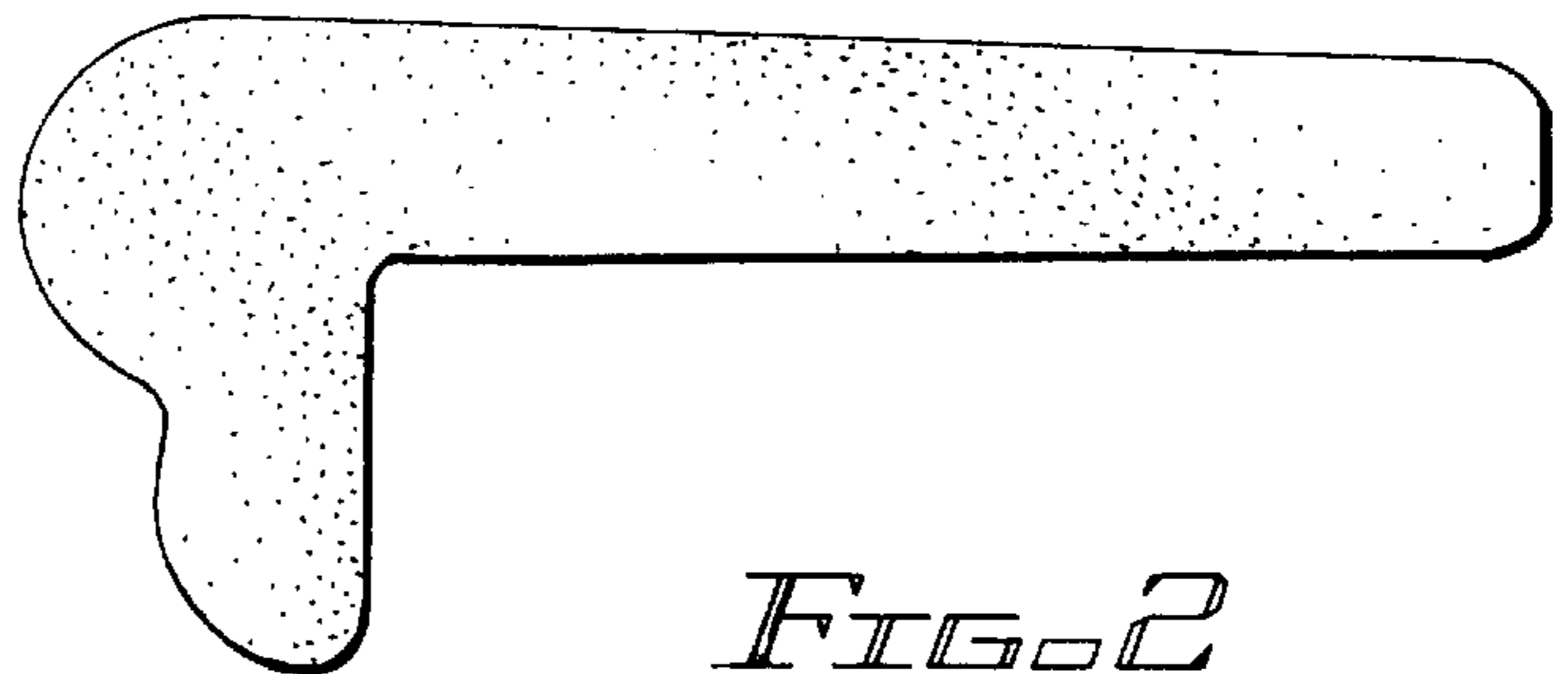


FIG. 2

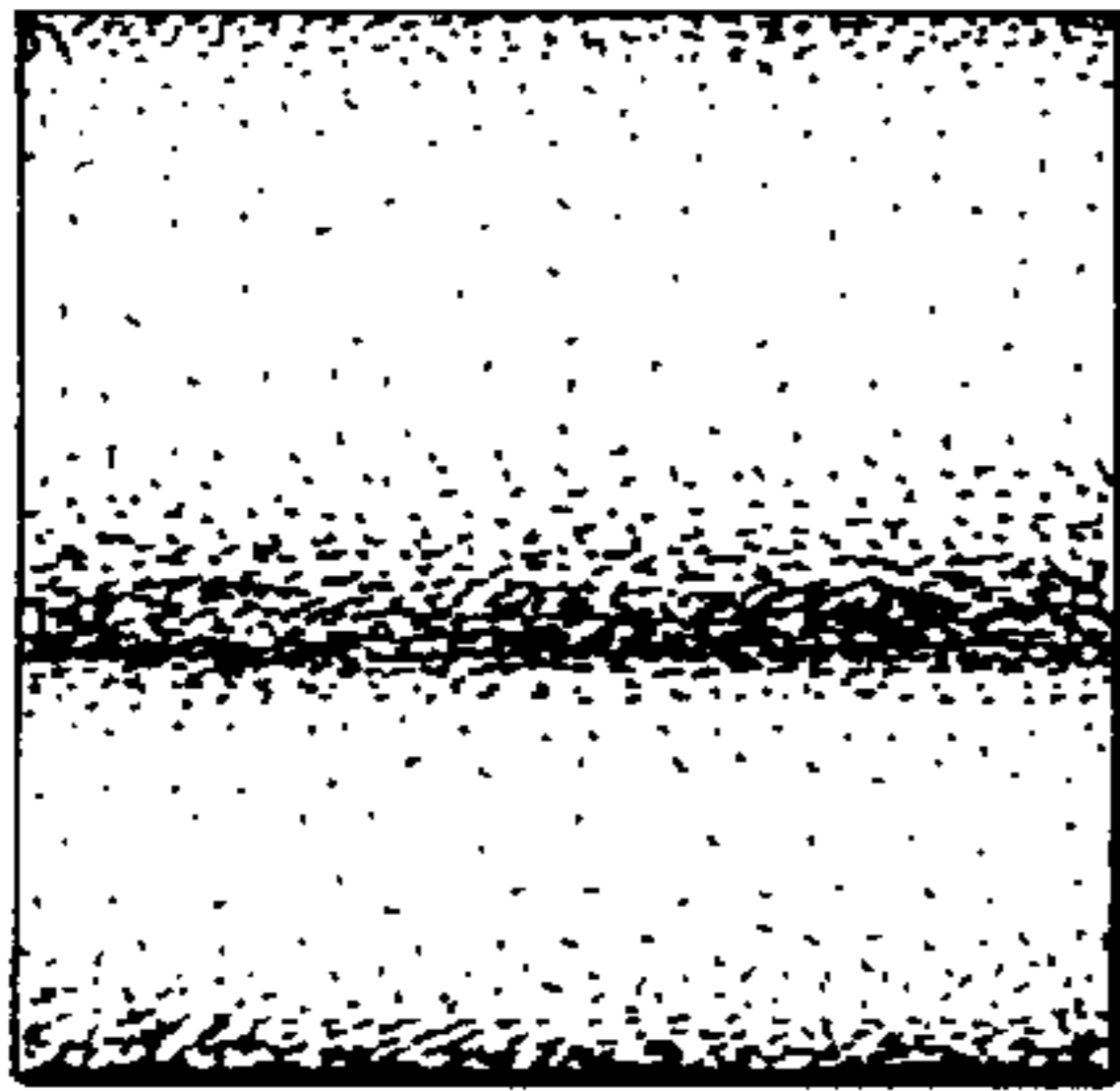


FIG. 5

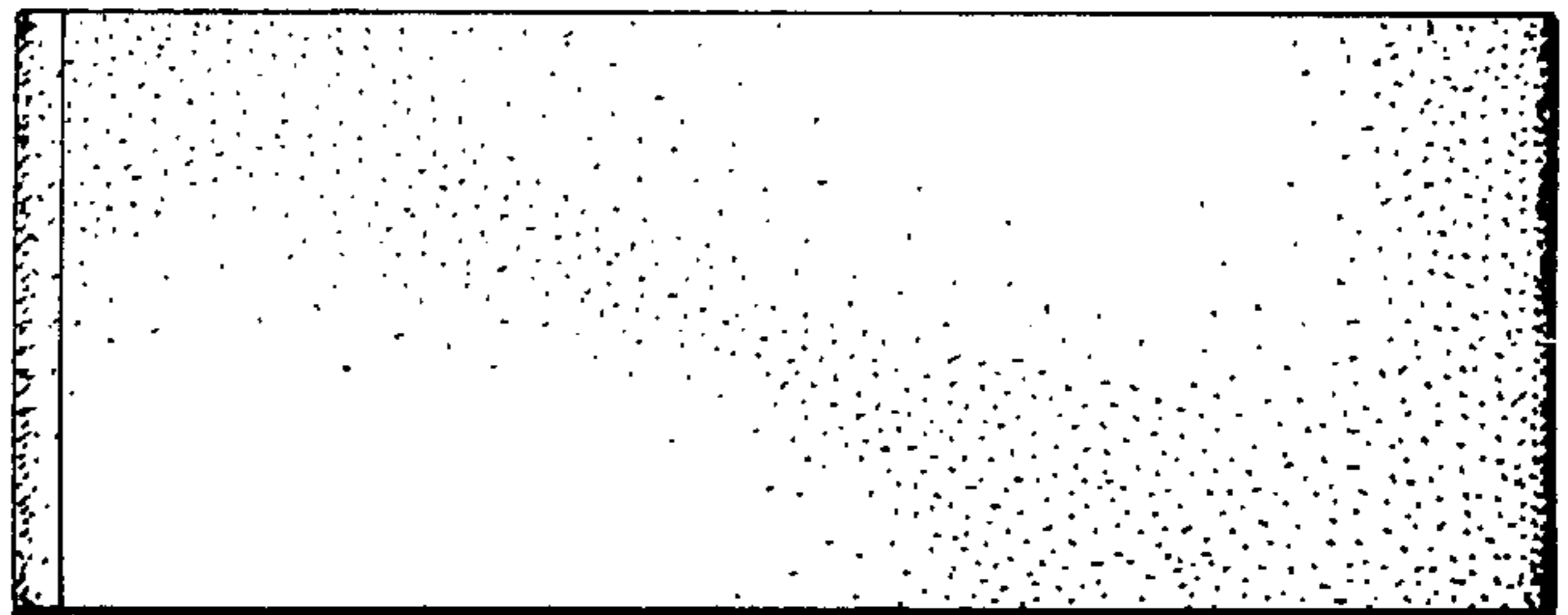


FIG. 3

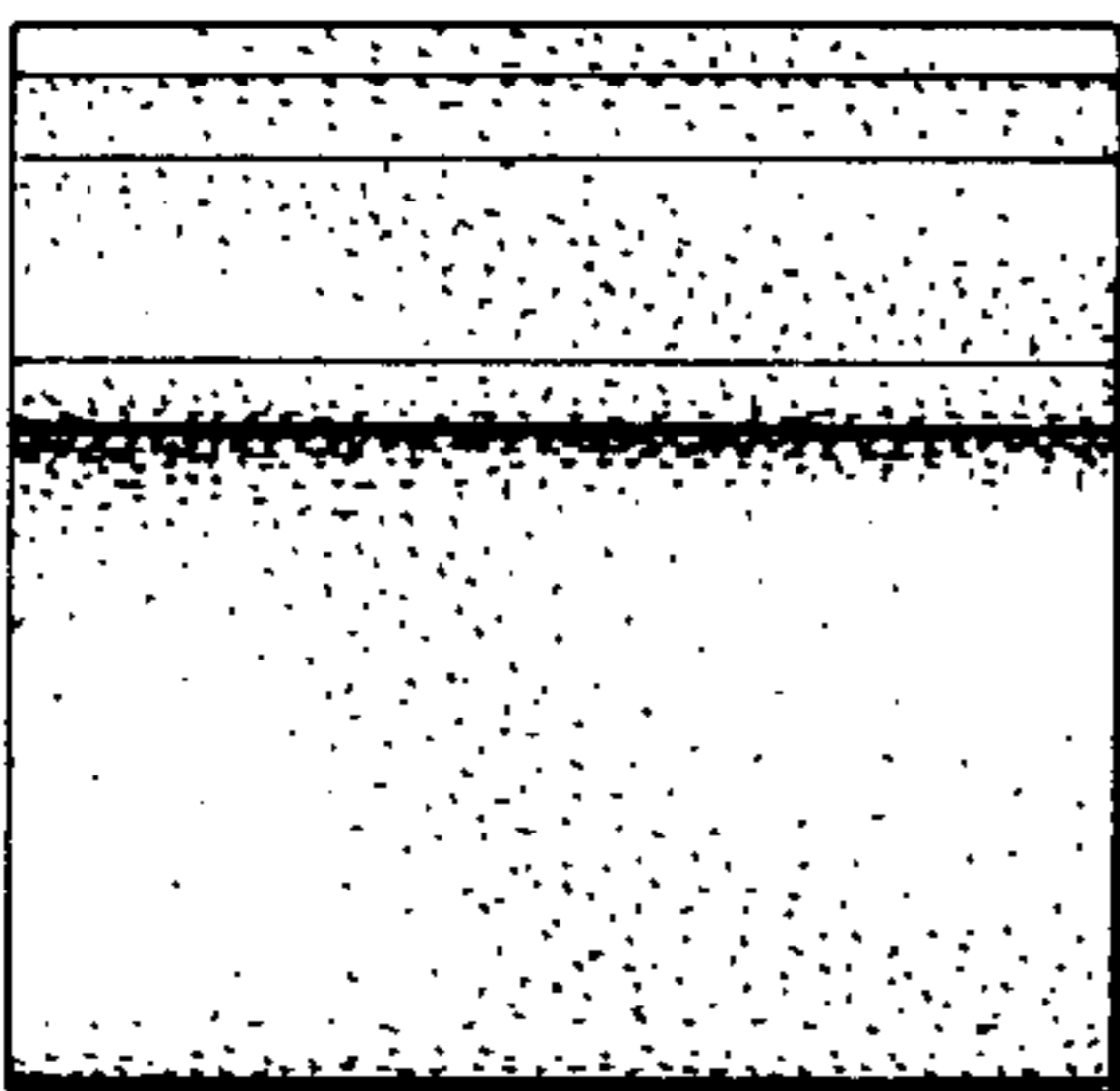


FIG. 6

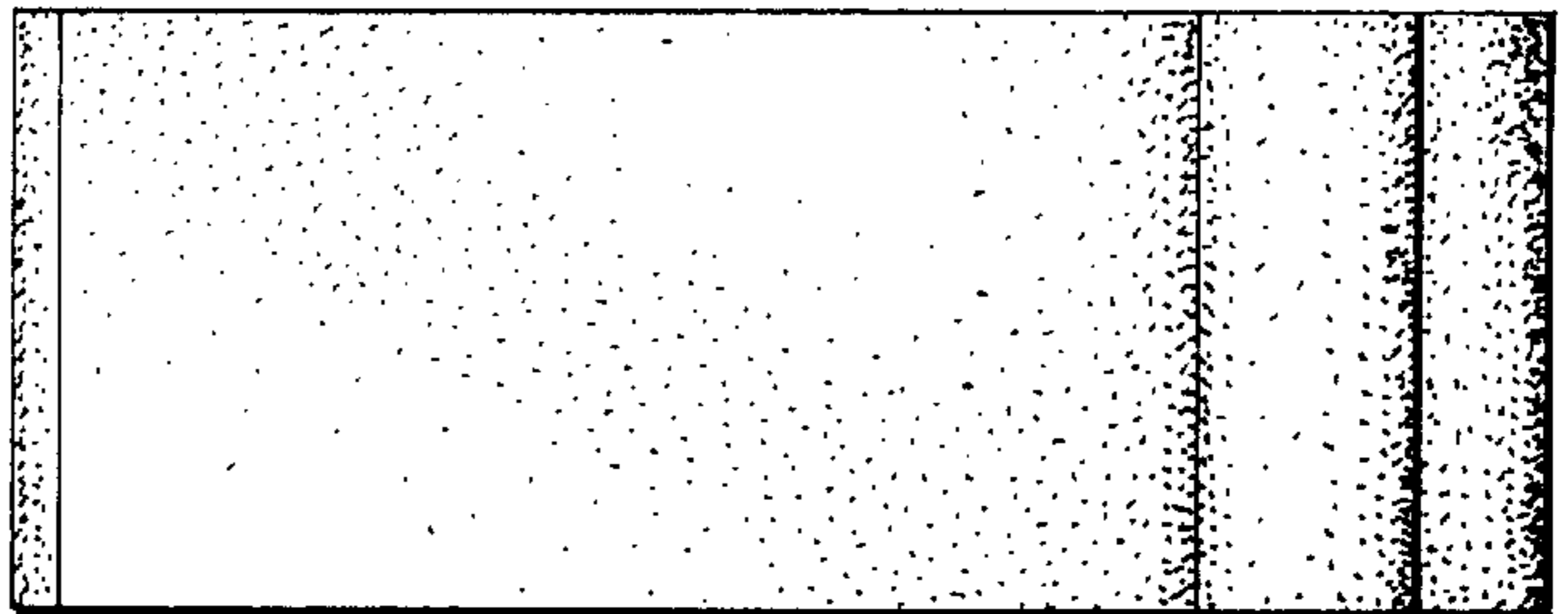


FIG. 4