



US00D403078S

United States Patent [19]

Allan et al.

[11] **Patent Number: Des. 403,078**

[45] **Date of Patent: **Dec. 22, 1998**

[54] **MULTIMEDIA ENCLOSURE**

3,778,528 12/1973 Heifetz et al. 52/79.1
4,653,238 3/1987 Berman 52/79.4

[75] Inventors: **Glen Murray Allan**, Penticton;
Clifford James Elliott, North
Vancouver, both of Canada

Primary Examiner—Doris Clark
Attorney, Agent, or Firm—Miller Nash Wiener Hager &
Carlsen

[73] Assignee: **Intergalactic Conceptions, Inc.**,
Penticton, Canada

[57] **CLAIM**

[**] Term: **14 Years**

The ornamental design for multimedia enclosure, as shown.

[21] Appl. No.: **76,985**

DESCRIPTION

[22] Filed: **Sep. 22, 1997**

FIG. 1 is a top perspective view of a multimedia enclosure showing my new design;
FIG. 2 is a top plan view thereof;
FIG. 3 is a side elevational view thereof;
FIG. 4 is a bottom plan view thereof;
FIG. 5 is a side elevational view thereof, opposite to the side shown in FIG. 3;
FIG. 6 is a first end thereof; and,
FIG. 7 is a second end view thereof.

[51] **LOC (6) Cl.** **25-03**

[52] **U.S. Cl.** **D25/7; D25/33**

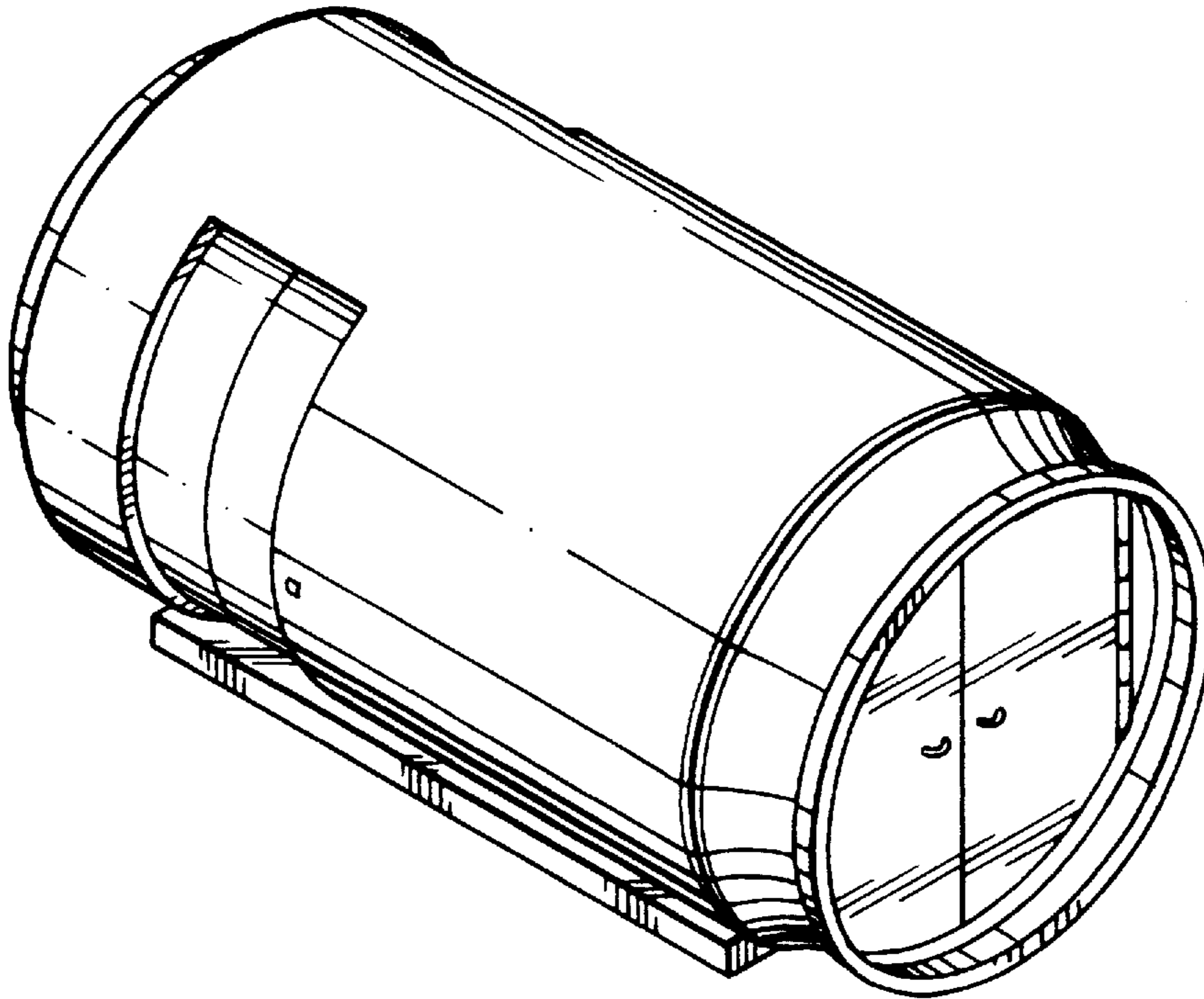
[58] **Field of Search** **D25/1, 7, 33, 31;**
52/79.1, 79.4

[56] **References Cited**

U.S. PATENT DOCUMENTS

D. 257,490 11/1980 Davis D25/7

1 Claim, 3 Drawing Sheets



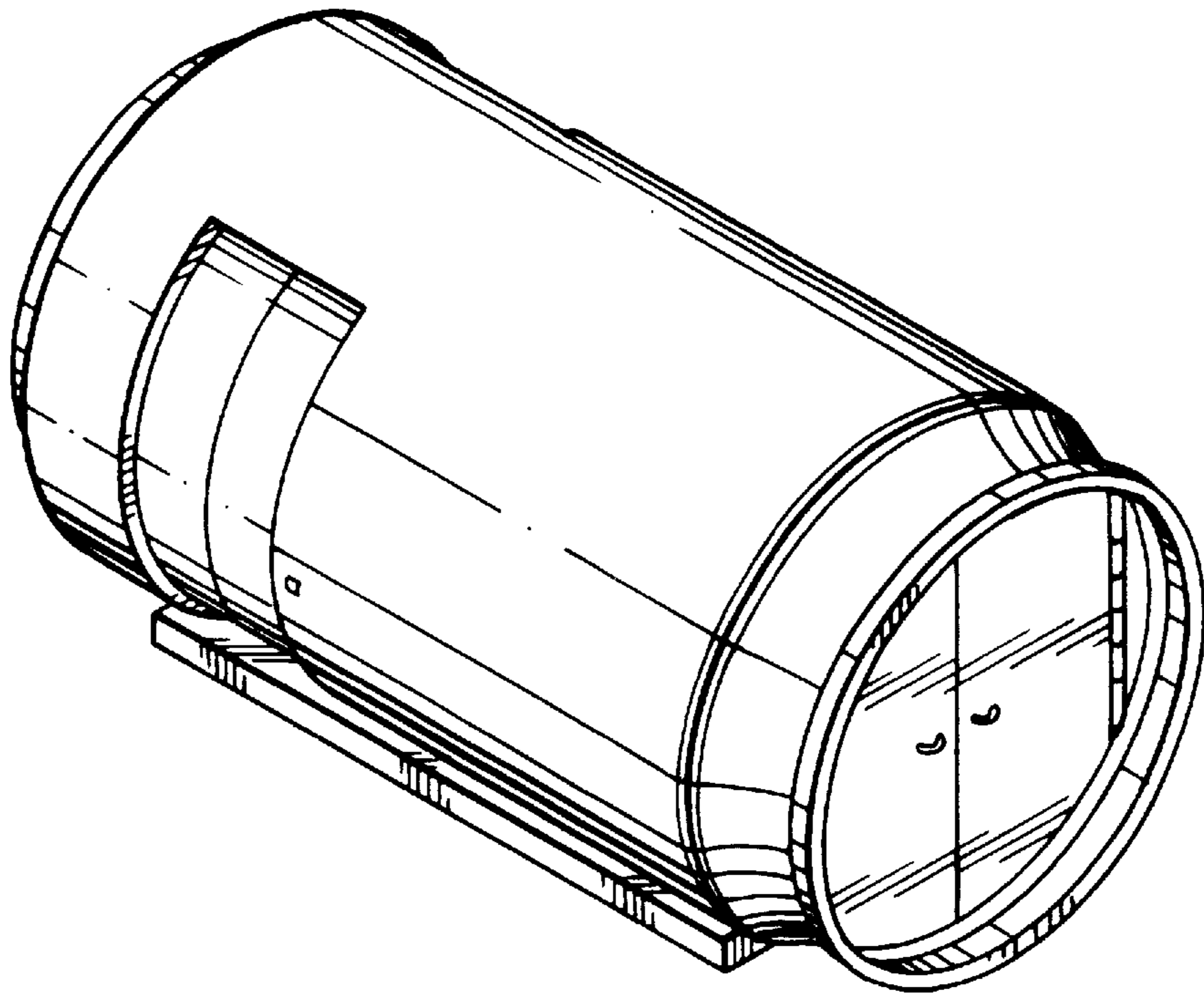


FIG. 1

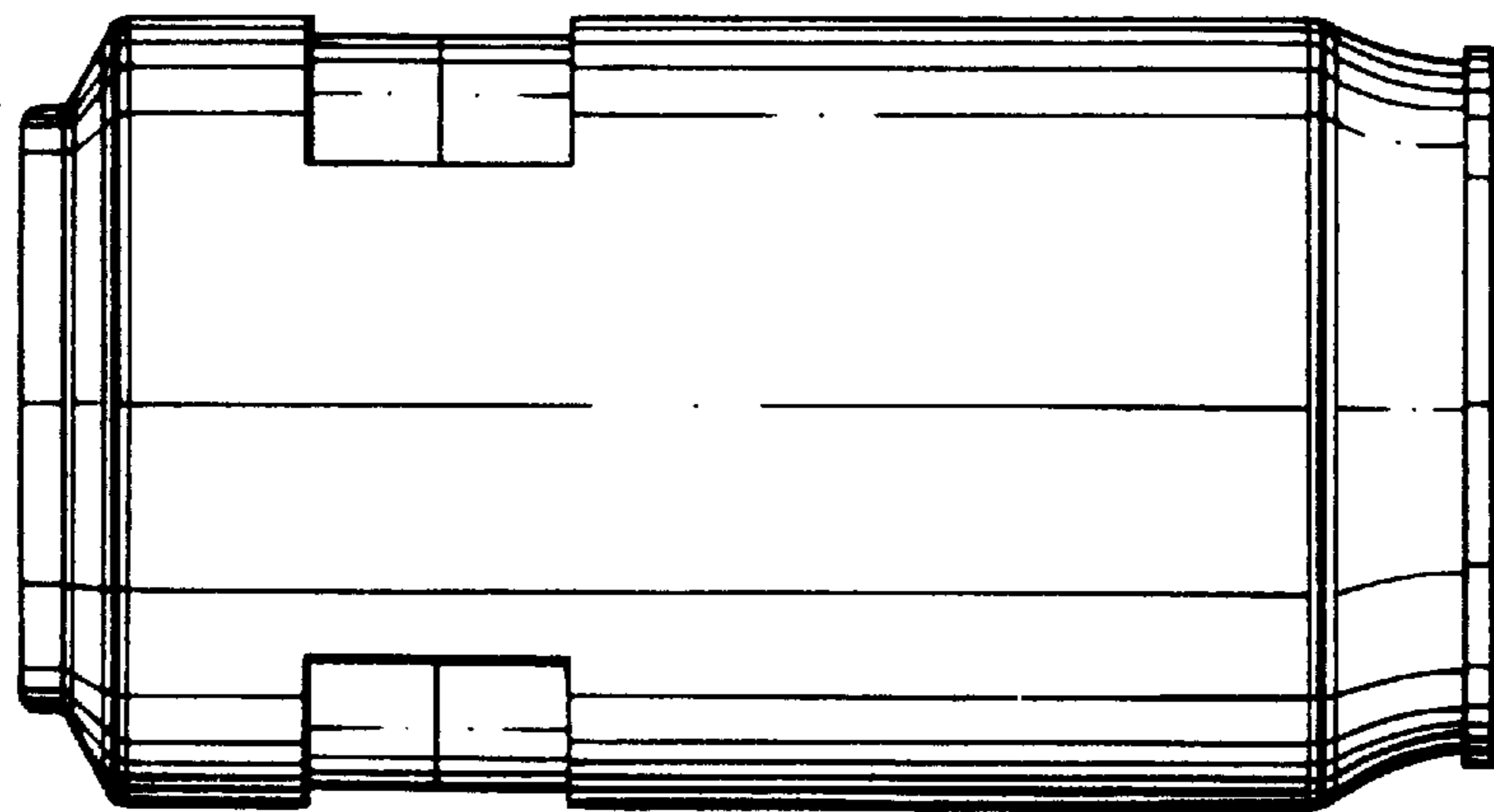


FIG. 2

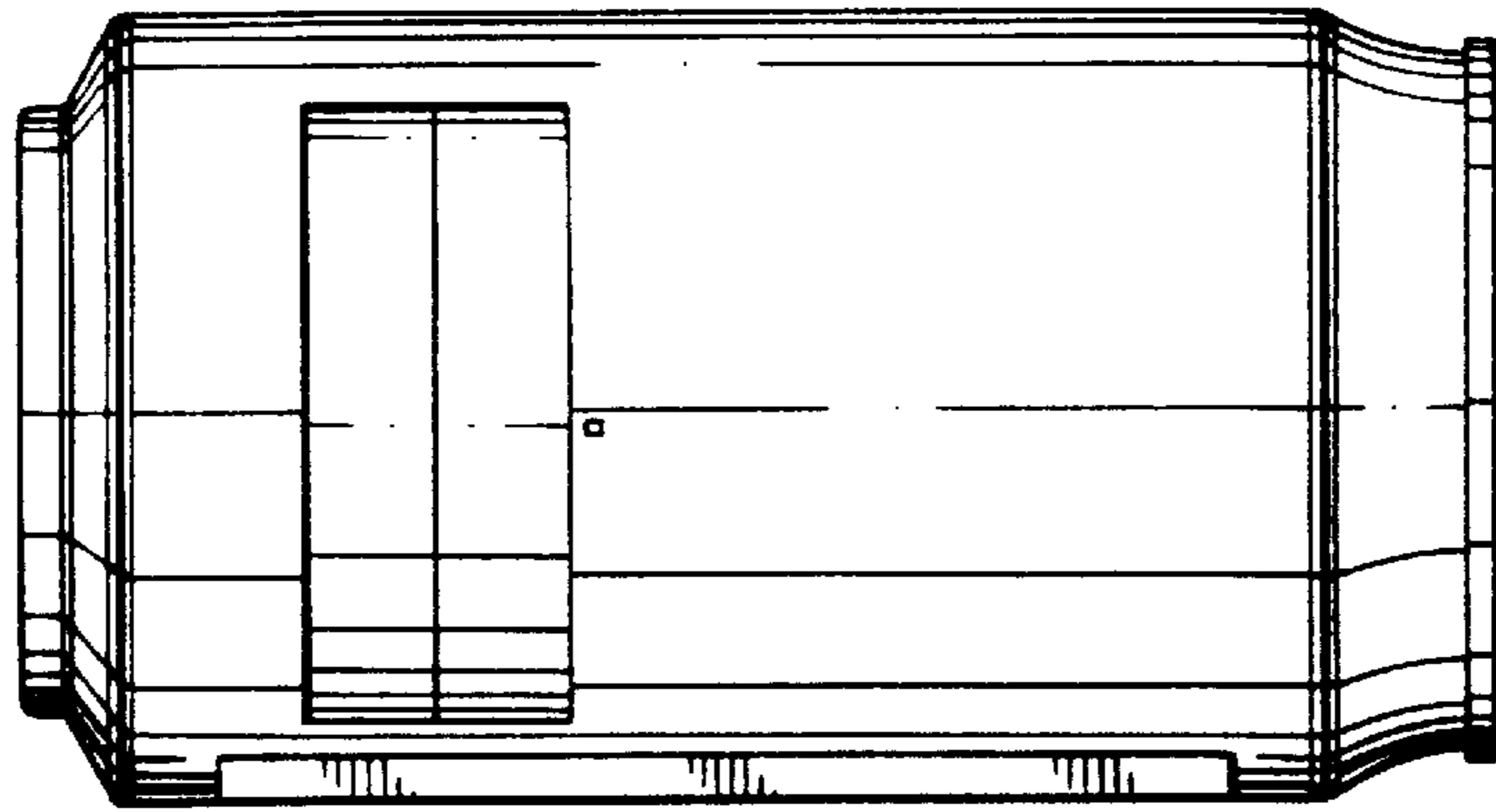


FIG. 3

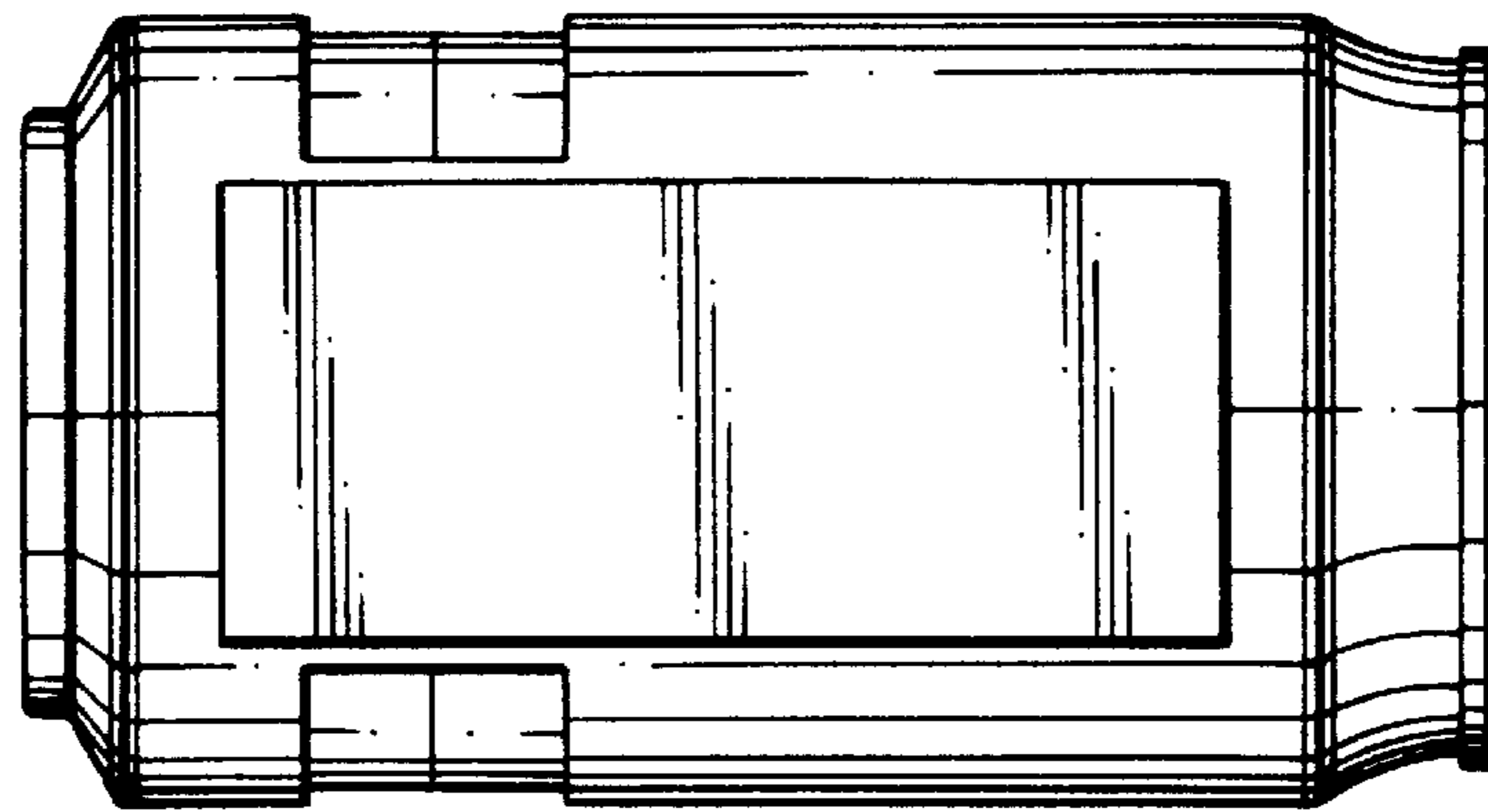


FIG. 4

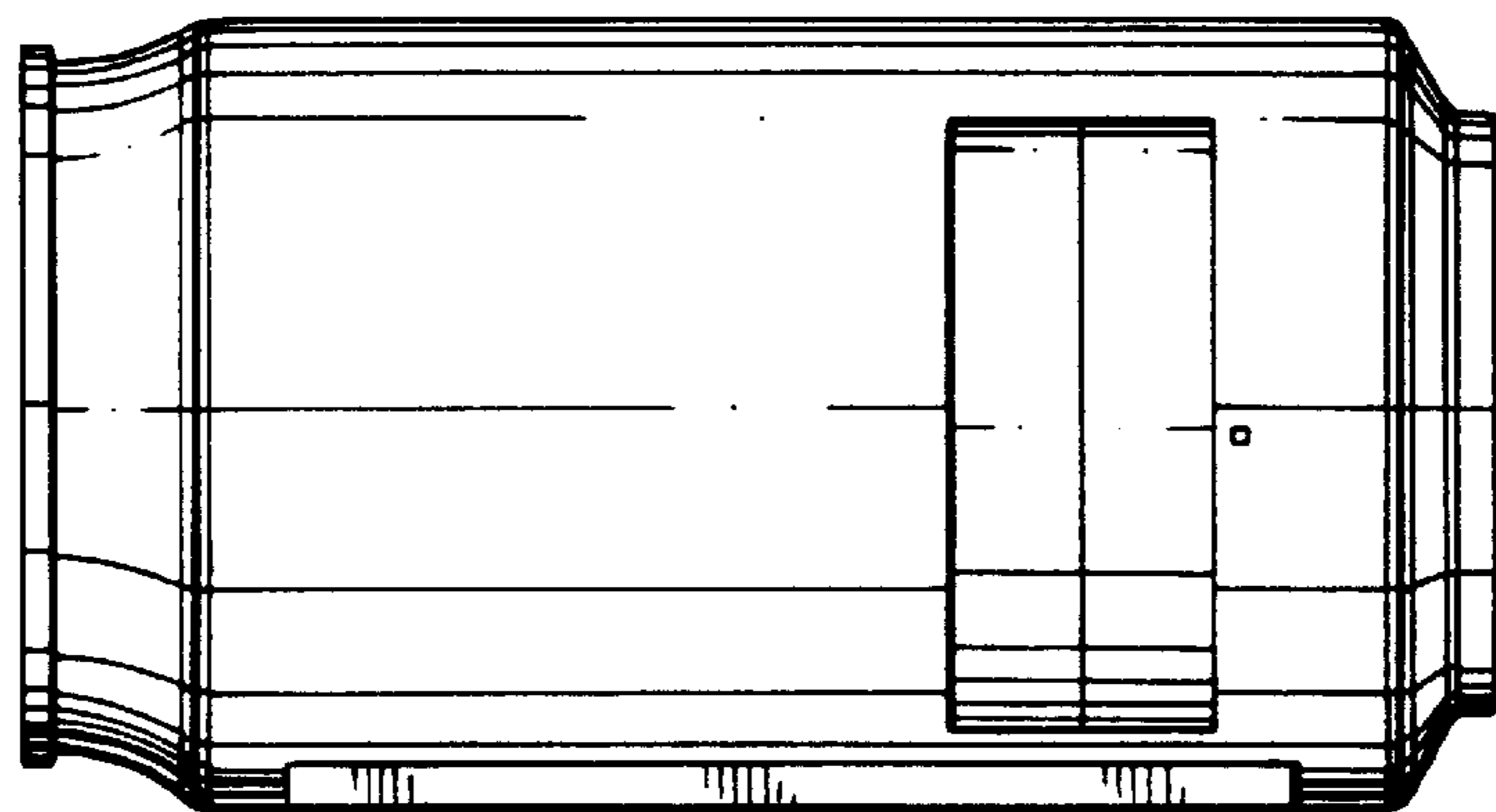


FIG. 5

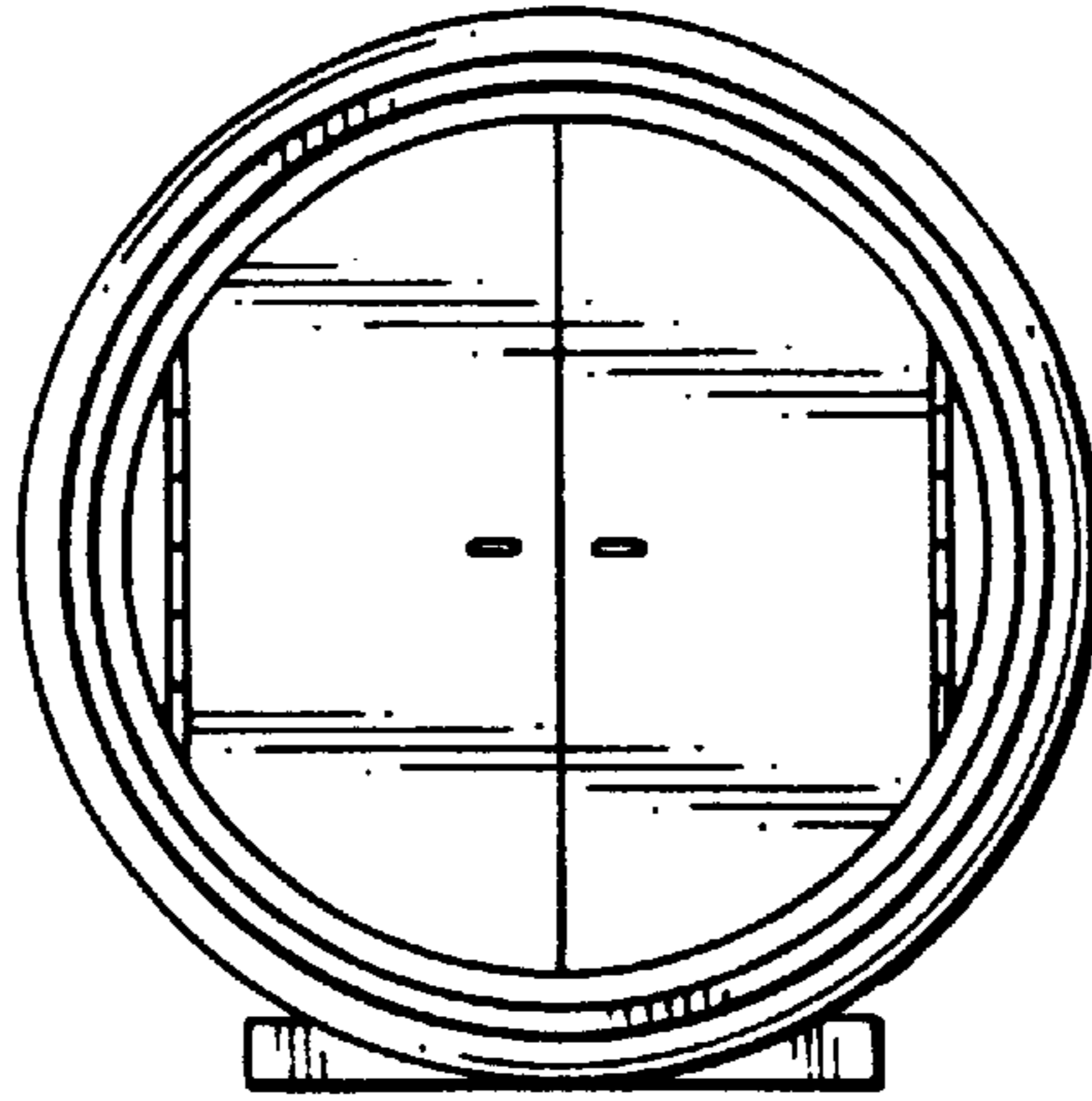


FIG. 6

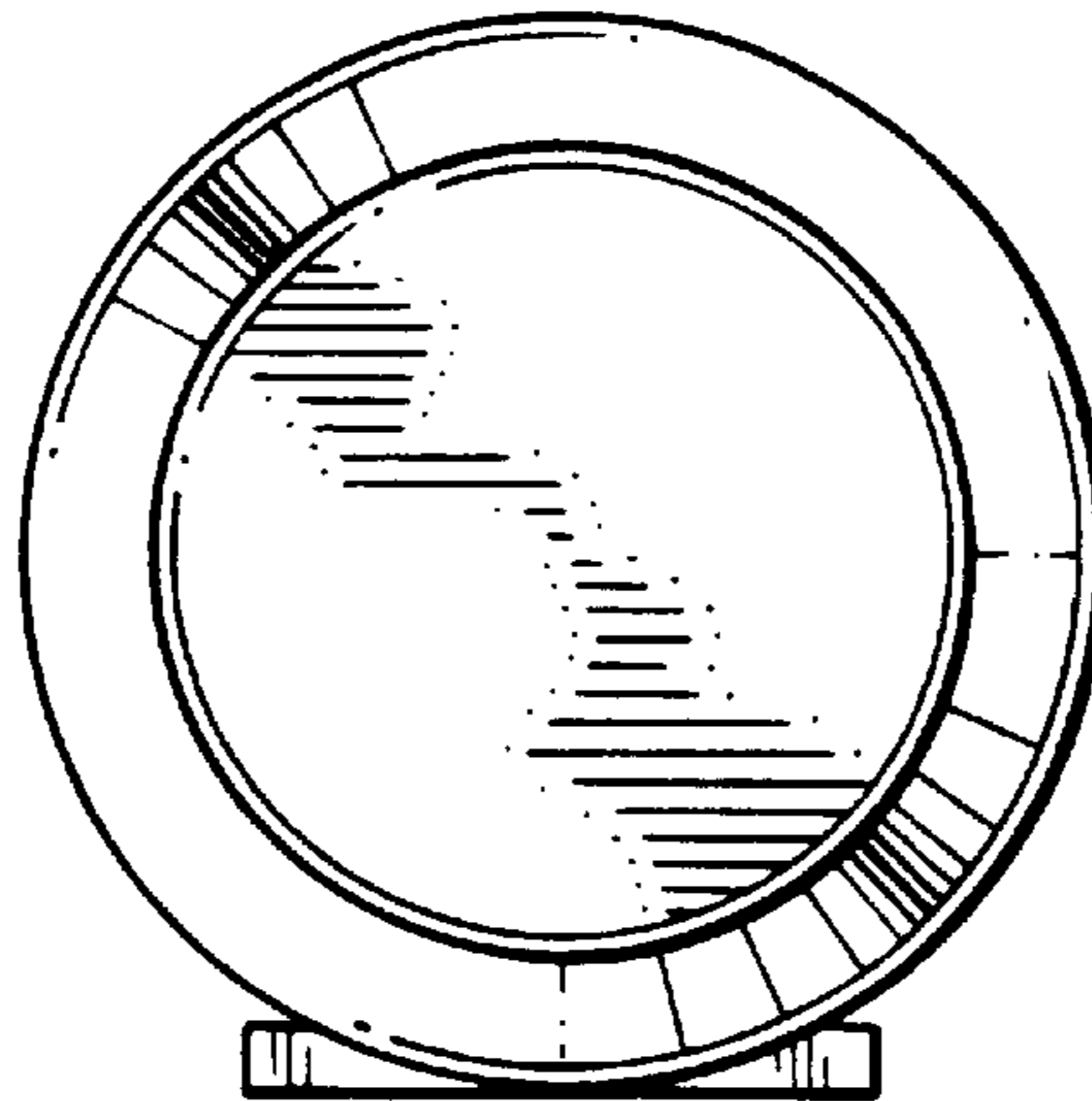


FIG. 7