

US00D403066S

United States Patent [19]
DeFonzo

[11] **Patent Number: Des. 403,066**

[45] **Date of Patent: **Dec. 22, 1998**

[54] **SURGICAL RETRACTOR**

[75] Inventor: **Stephan A. DeFonzo**, Bridgeport, Conn.

[73] Assignee: **United States Surgical Corporation**, Norwalk, Conn.

[**] Term: **14 Years**

[21] Appl. No.: **65,397**

[22] Filed: **Jan. 28, 1997**

Related U.S. Application Data

[62] Division of Ser. No. 56,875, Jul. 10, 1996, abandoned.

[51] **LOC (6) Cl.** **24-02**

[52] **U.S. Cl.** **D24/135**

[58] **Field of Search** D24/135; 600/201, 600/210, 211, 214, 217, 231, 234

[56] **References Cited**

U.S. PATENT DOCUMENTS

D. 214,475 6/1969 Forster D24/135

3,509,873	5/1970	Karlin et al.	600/231 X
3,750,652	8/1973	Sherwin	600/217 X
5,025,779	6/1991	Bugge	600/217
5,503,617	4/1996	Tako	600/201

Primary Examiner—Pamela Burgess

[57] **CLAIM**

The ornamental design for a surgical retractor, as shown and described.

DESCRIPTION

FIG. 1 is a perspective view of a surgical retractor showing our new design;

FIG. 2 is a side elevational view thereof, the opposite side elevational view being a mirror image thereto;

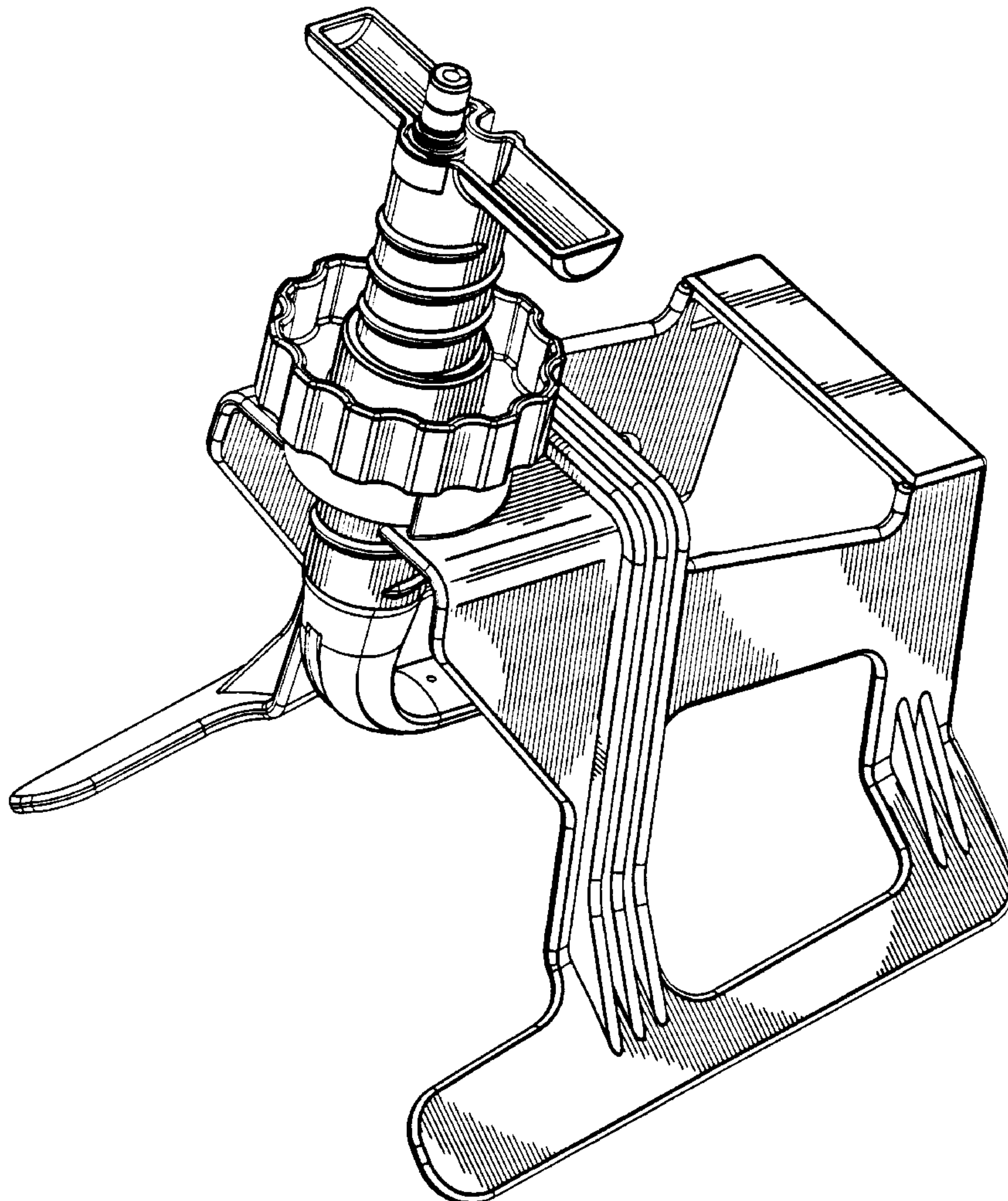
FIG. 3 is a front elevational view thereof;

FIG. 4 is a bottom plan view thereof;

FIG. 5 is a rear elevational view thereof; and,

FIG. 6 is a top plan view thereof.

1 Claim, 4 Drawing Sheets



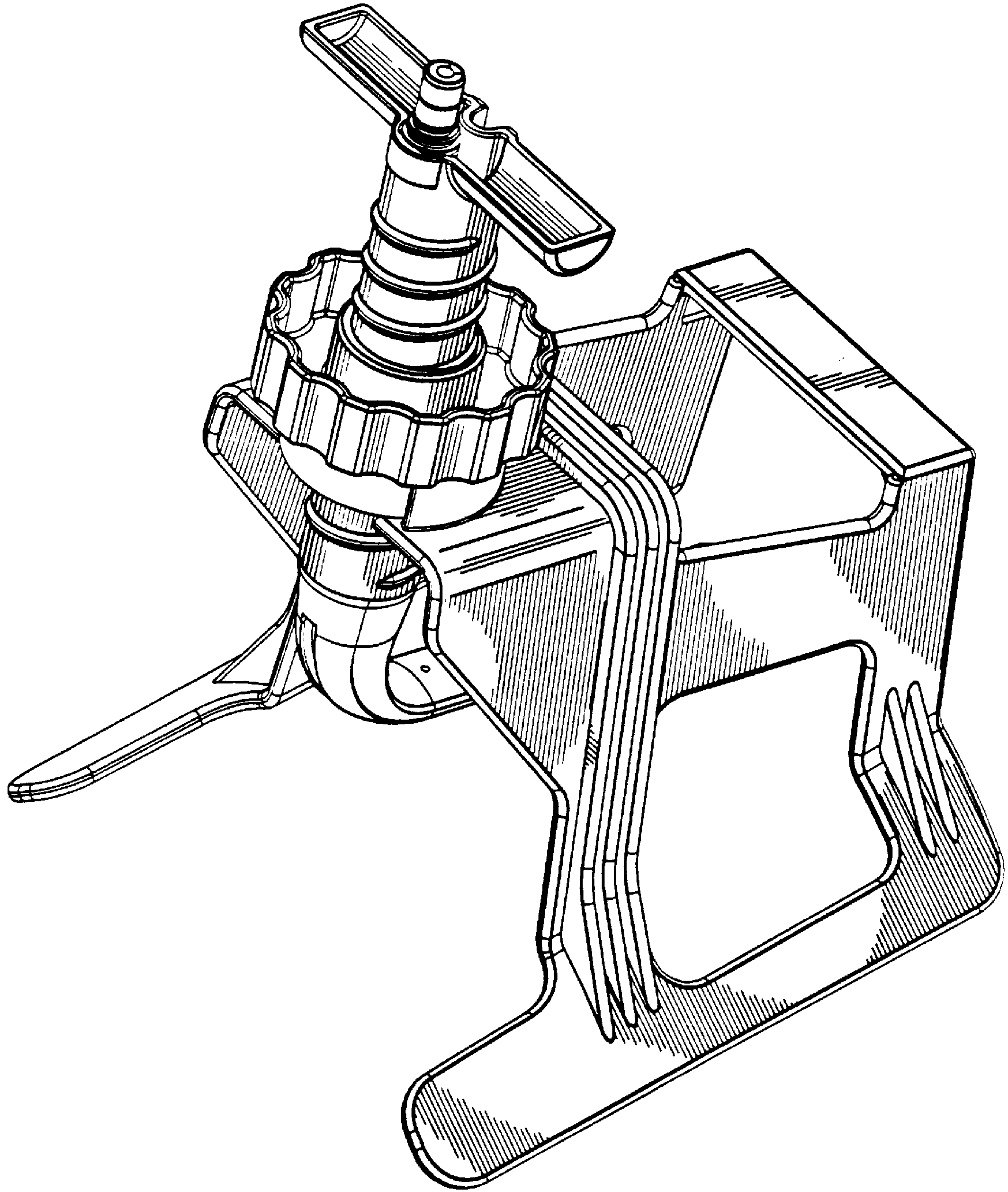


FIG. 1

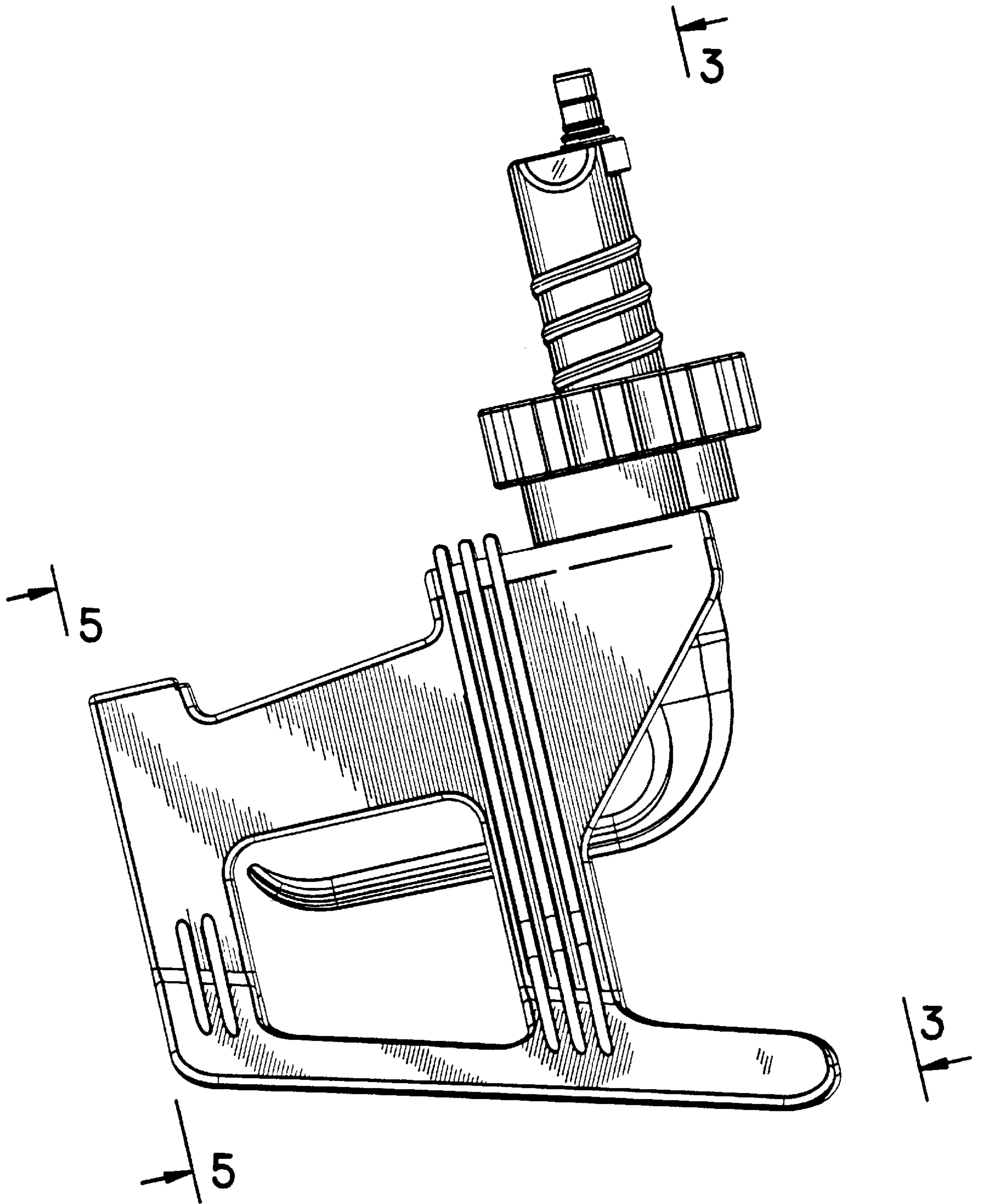


FIG. 2

FIG. 3

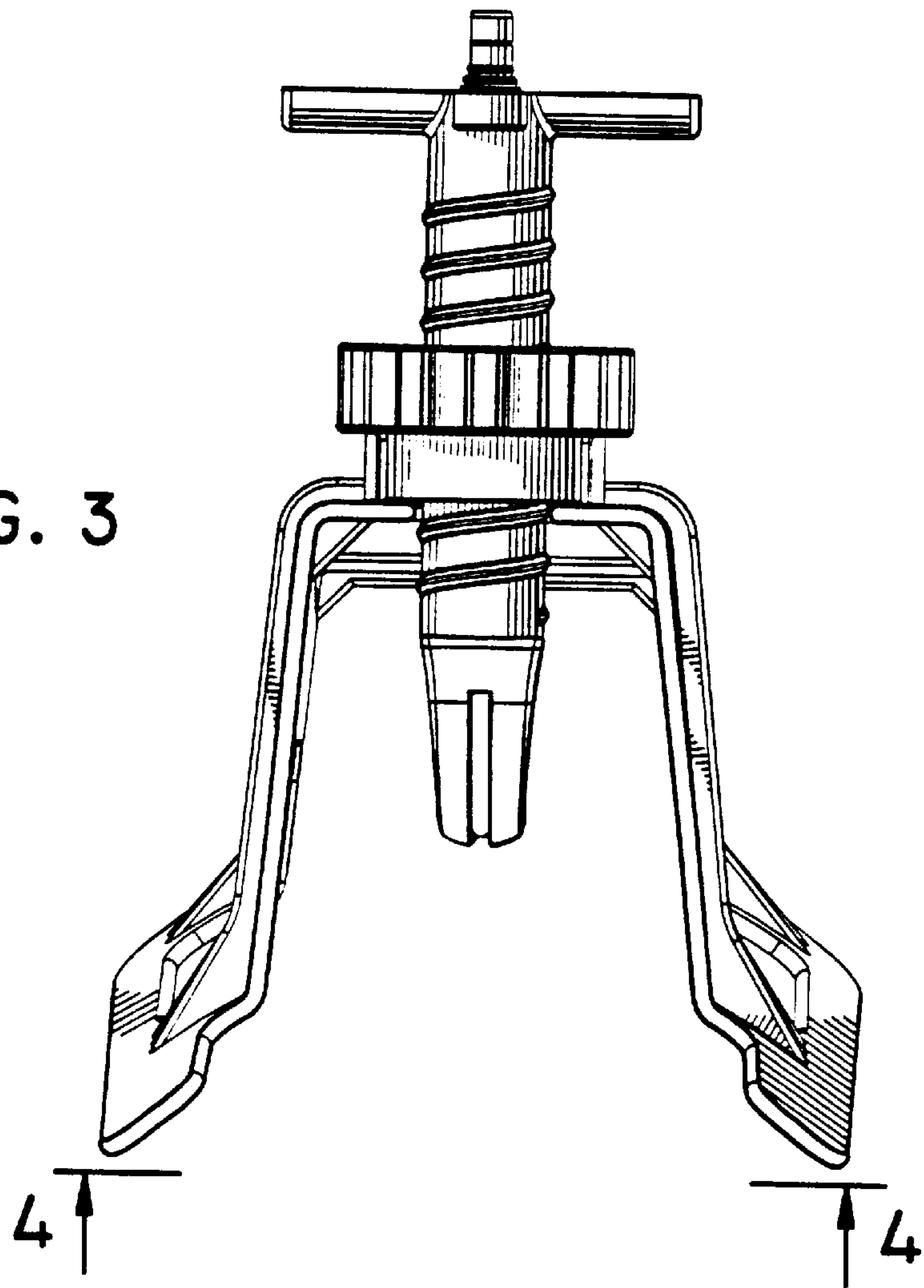
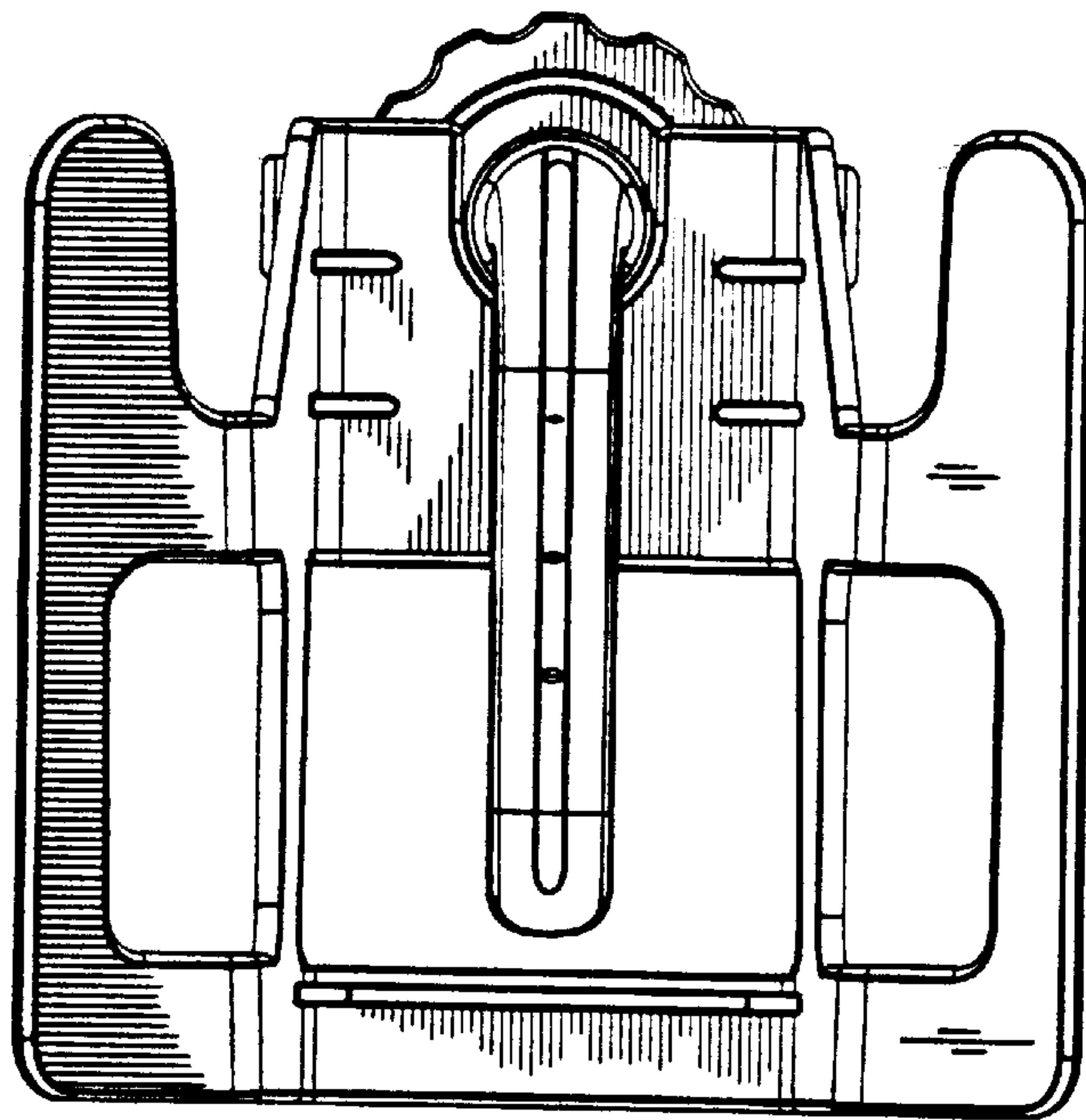


FIG. 4



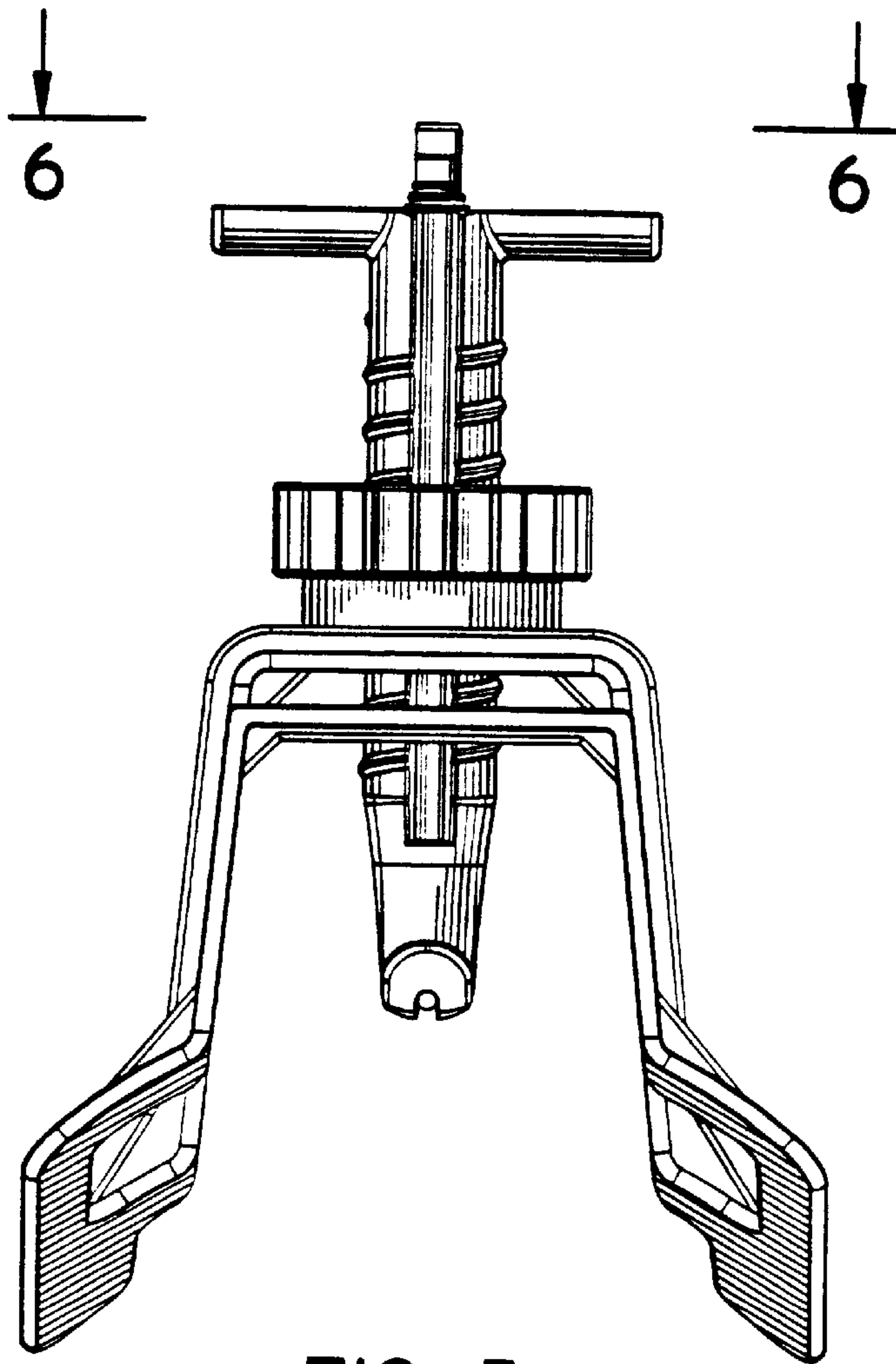


FIG. 5

FIG. 6

