



US00D403065S

United States Patent [19]

[11] **Patent Number: Des. 403,065**

Dieken et al.

[45] **Date of Patent: **Dec. 22, 1998**

[54] **STETHOSCOPE COMPONENT**

[75] Inventors: **Alan P. Dieken**, Oakdale; **Edward J. Moe**, St. Paul, both of Minn.; **Joy A. Packard**; **Thomas J. Packard**, both of Somerset, Wis.; **Thomas A. Turgeon**, Fridley, Minn.; **Thomas W. Reeder**, Asheville, N.C.

4,475,619	10/1984	Packard	181/137
4,569,413	2/1986	Allen	181/131
4,852,684	8/1989	Packard	181/131
4,913,259	4/1990	Packard	181/131
4,995,473	2/1991	Packard	181/137
5,204,500	4/1993	Dufresne et al.	181/131
5,288,953	2/1994	Peart	181/130
5,367,575	11/1994	Dieken et al.	381/67

[73] Assignee: **Minnesota Mining and Manufacturing Company**, St. Paul, Minn.

[**] Term: **14 Years**

[21] Appl. No.: **67,461**

[22] Filed: **Mar. 3, 1997**

Related U.S. Application Data

[63] Continuation-in-part of Ser. No. 48,848, Jan. 11, 1996, Pat. No. Des. 379,512, which is a continuation of Ser. No. 46,196, Nov. 10, 1995, abandoned.

[51] **LOC (6) Cl.** **24-02**

[52] **U.S. Cl.** **D24/134**

[58] **Field of Search** D24/134; 181/131, 181/137; 381/67

[56] **References Cited**

U.S. PATENT DOCUMENTS

D. 185,178	5/1959	Spears, Jr.	D83/12
D. 205,171	6/1966	Littmann	D83/12
D. 213,257	1/1969	Littmann	D83/12
D. 214,002	4/1969	Machlup et al.	D83/12
D. 277,890	3/1985	Loughridge et al.	D24/20
D. 323,394	1/1992	Casto et al.	D24/134
D. 337,381	7/1993	Dufresne et al.	D24/134
D. 338,269	8/1993	Dufresne et al.	D24/134
D. 353,196	12/1994	Savage et al.	D24/134
3,108,652	10/1963	Littmann	181/24
3,275,099	9/1966	Speelman	181/24
3,288,246	11/1966	Allen	181/24
3,339,667	9/1967	Speelman	181/24
3,472,335	10/1969	Allen	181/24
4,239,089	12/1980	Nelson	181/131
4,254,302	3/1981	Walshe	179/1 ST
4,440,258	4/1984	Packard	181/137

OTHER PUBLICATIONS

Brochure entitled, "Littmann Classic II and Pediatric and Infant Stethoscope", dated Jan. 5, 1994, (1 page).

Brochure entitled, "The Allen Series", by Newport Instruments, Inc. (1983) (5 pages).

Brochure entitled, "Have you heard the latest about Auscultation?", by Welch Allyn Company, (10 pages).

Brochure entitled, "Jetzt mit 10 Seiten Wohnmobil", by Wapema, (8 pages) 88/89.

Brochure entitled, "Adgram", vol. 8, Issue 5, by American Diagnostic Corporation, Sep.-Oct. 1994, (1 page). Note the Master Adscope™ 600.

Brochure entitled, "Anesthesia Specialties", by Buffalo Medical Specialties MFG. Inc. (1983), (17 pages).

Brochure entitled, "Series 22 Stethoscope", Series 12 Stethoscope, and Price List dated Mar. 1, 1980, by Newport Instruments, Inc., (4 pages).

Primary Examiner—Doris Clark

Attorney, Agent, or Firm—Gary L. Griswold; Robert W. Sprague; Jeffrey J. Hohenshell

[57] **CLAIM**

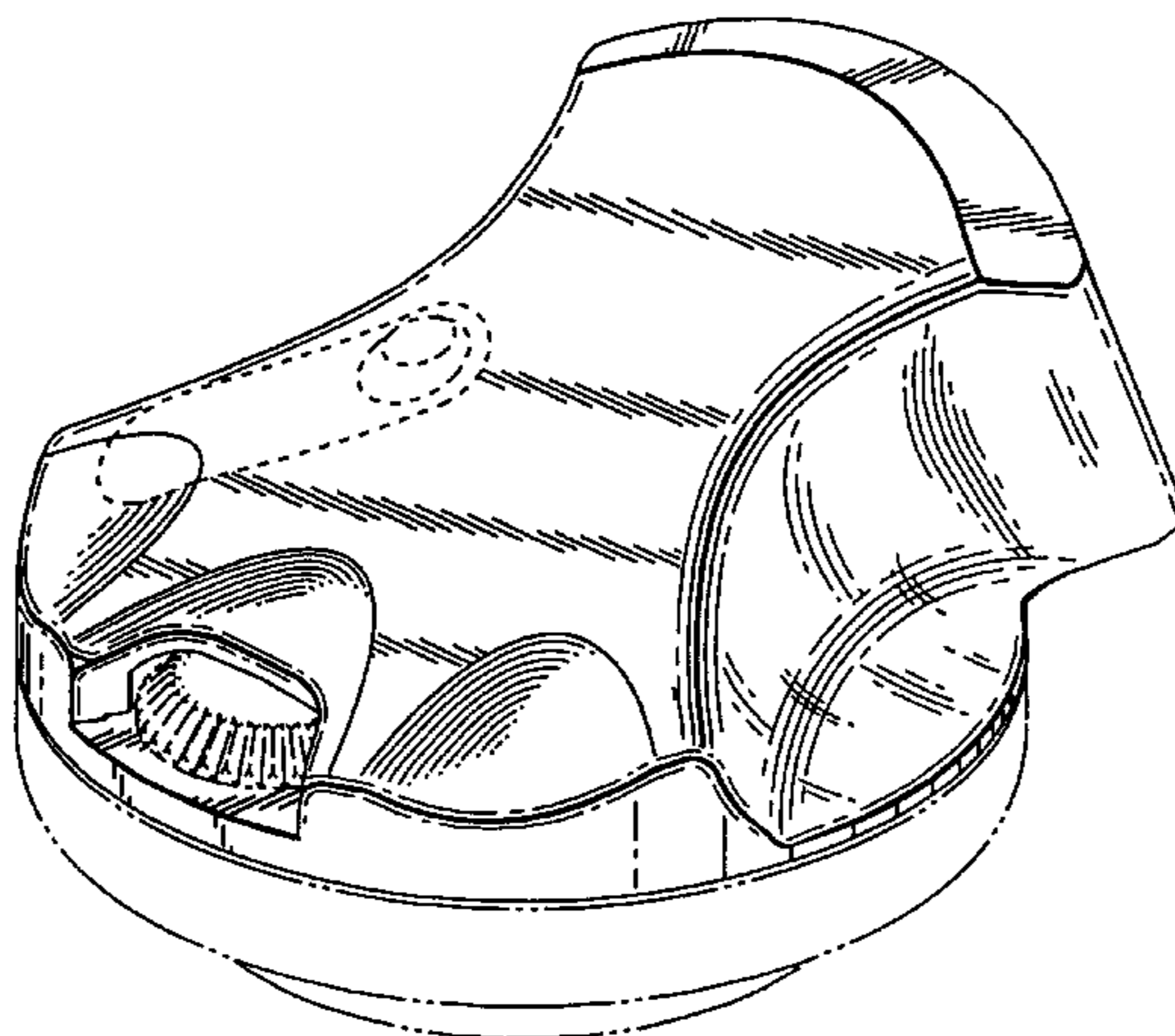
The ornamental design for an stethoscope component, as shown and described.

DESCRIPTION

FIG. 1 is a perspective view of an stethoscope component; FIG. 2 is a top plan view thereof; FIG. 3 is a bottom plan view thereof; FIG. 4 is a front elevational view thereof; FIG. 5 is a rear elevational view thereof; FIG. 6 is a left side elevational view thereof; and, FIG. 7 is a right side elevational view thereof.

The broken lines showing a base element is for illustrative purposes only and forms no part of the claimed design.

1 Claim, 3 Drawing Sheets



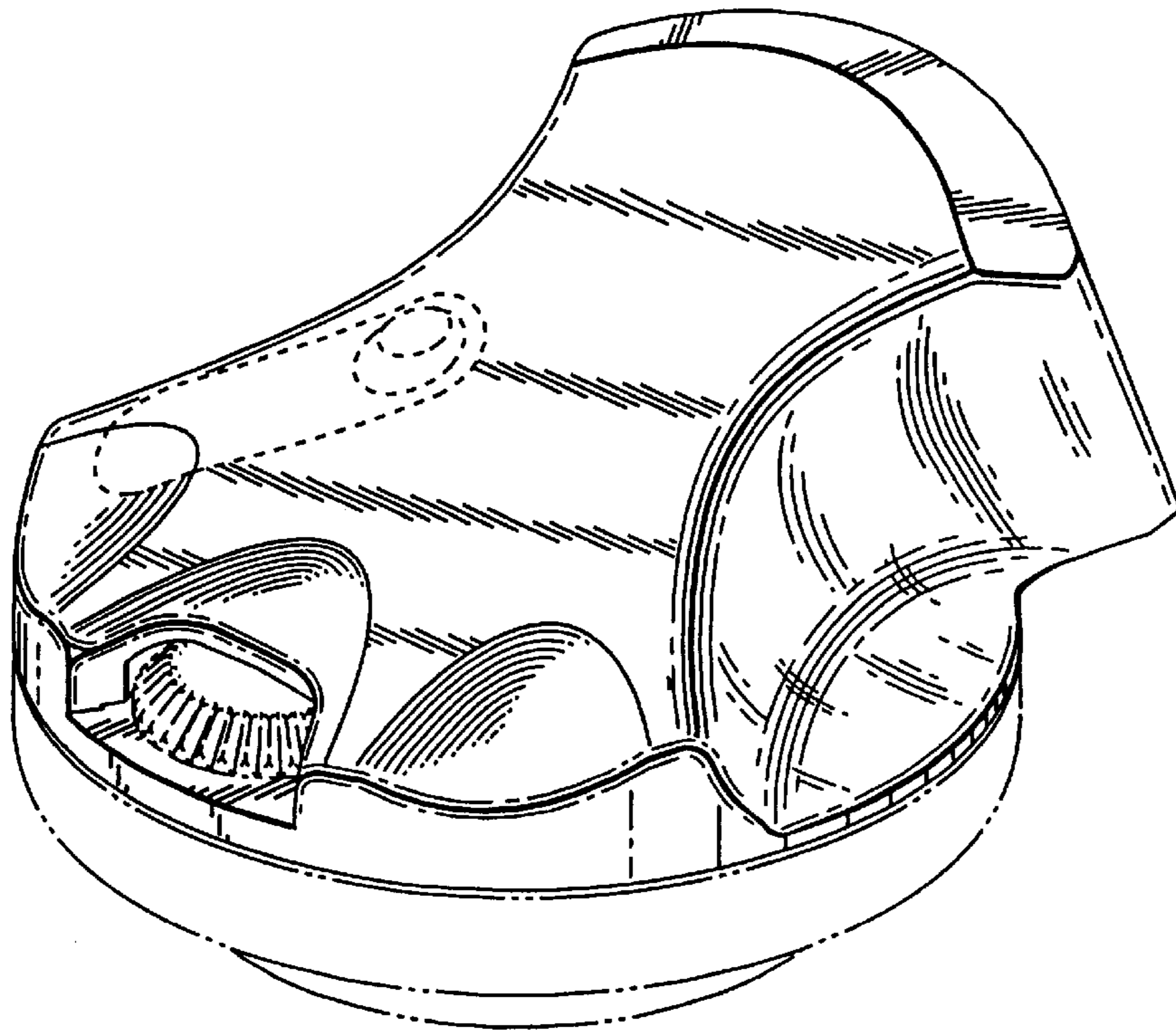


Fig. 1

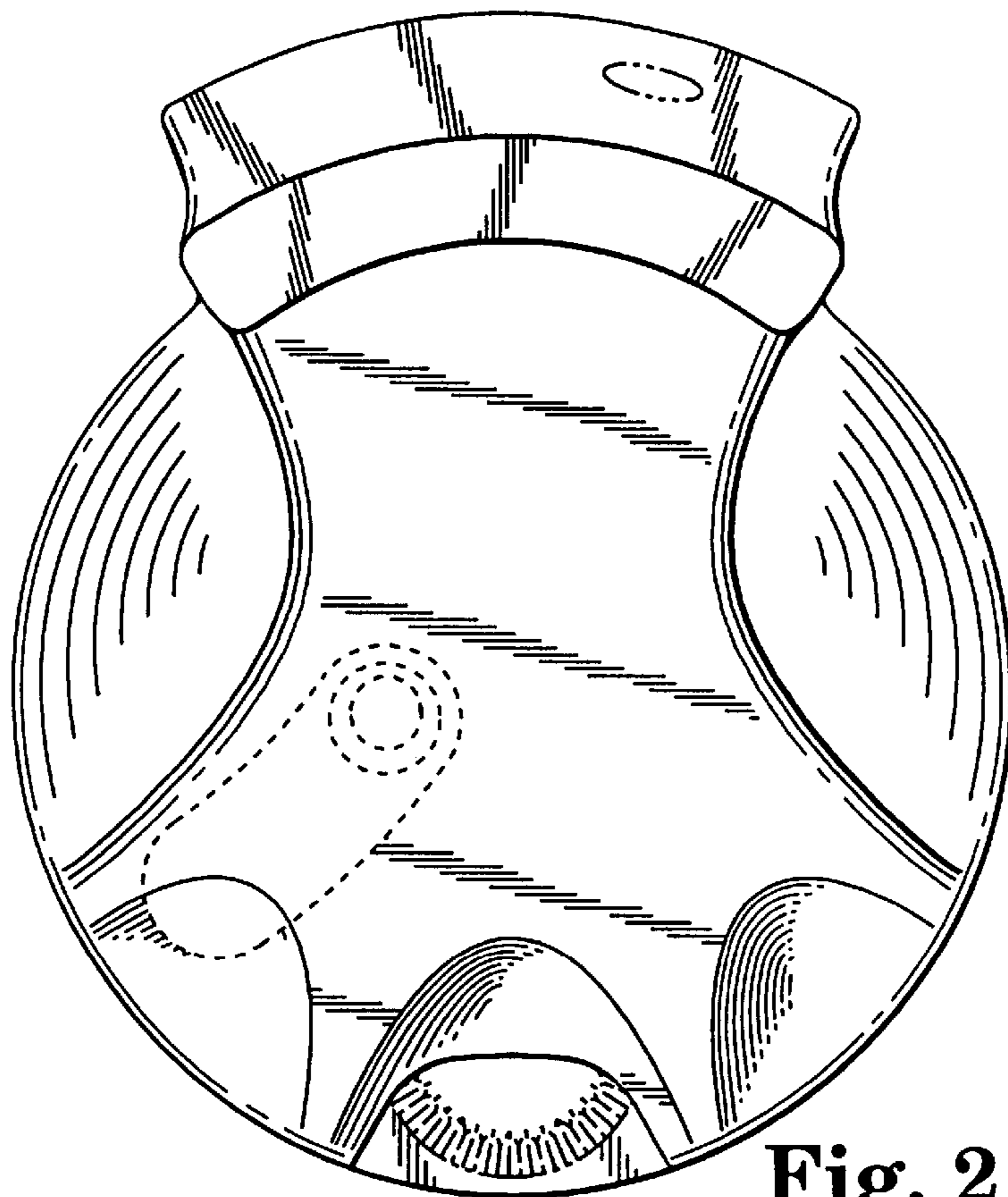


Fig. 2

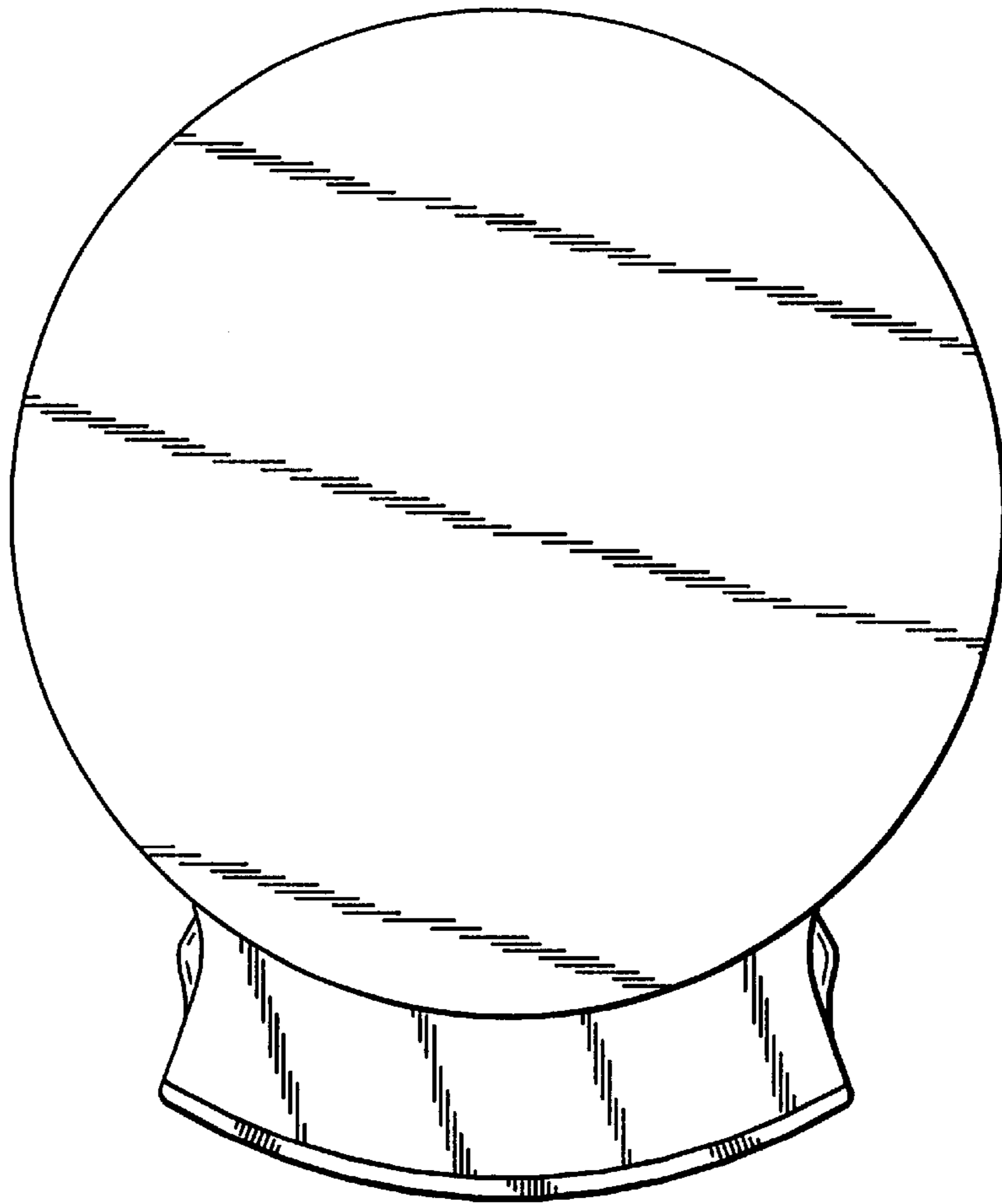


Fig. 3

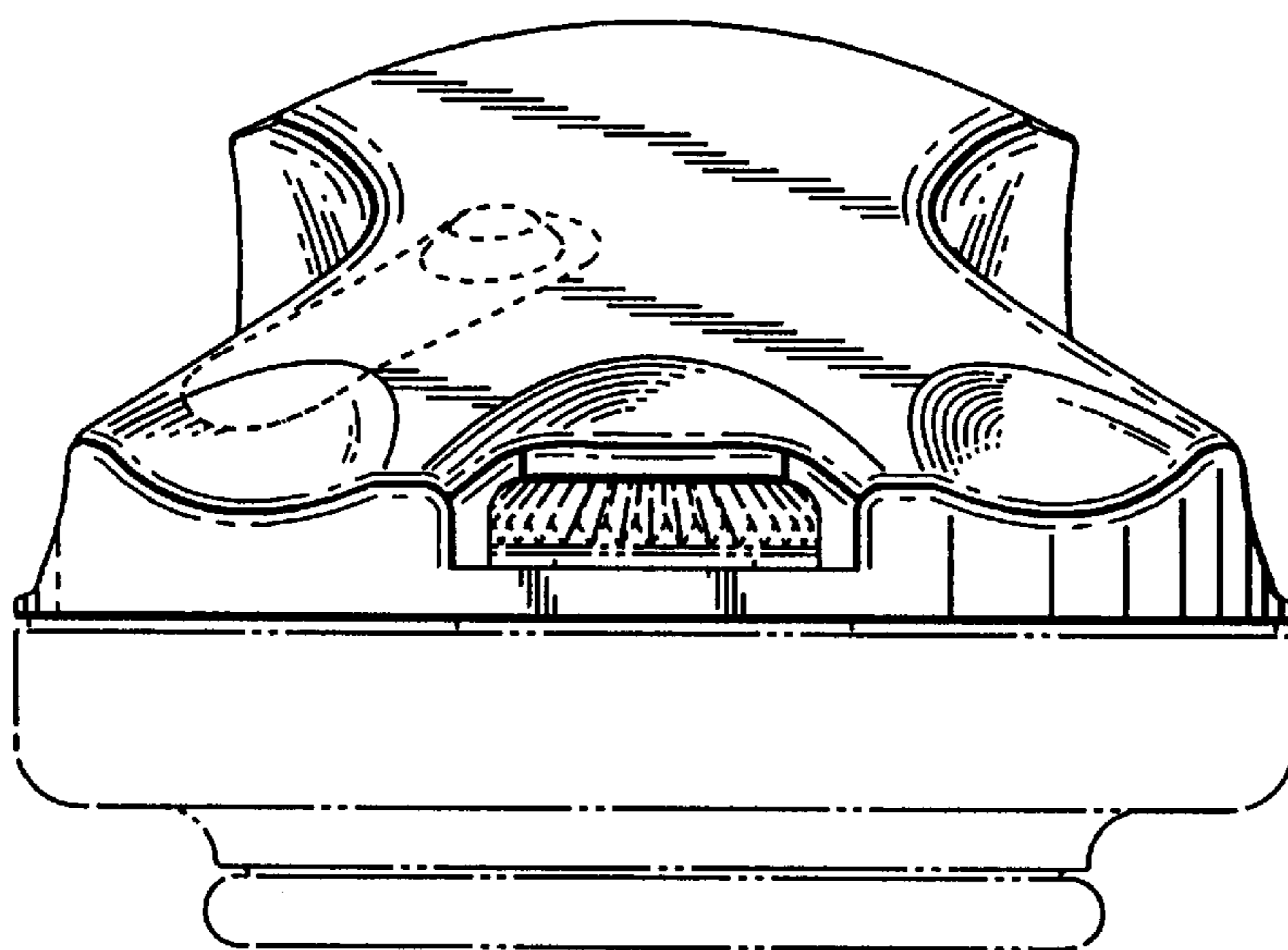


Fig. 4

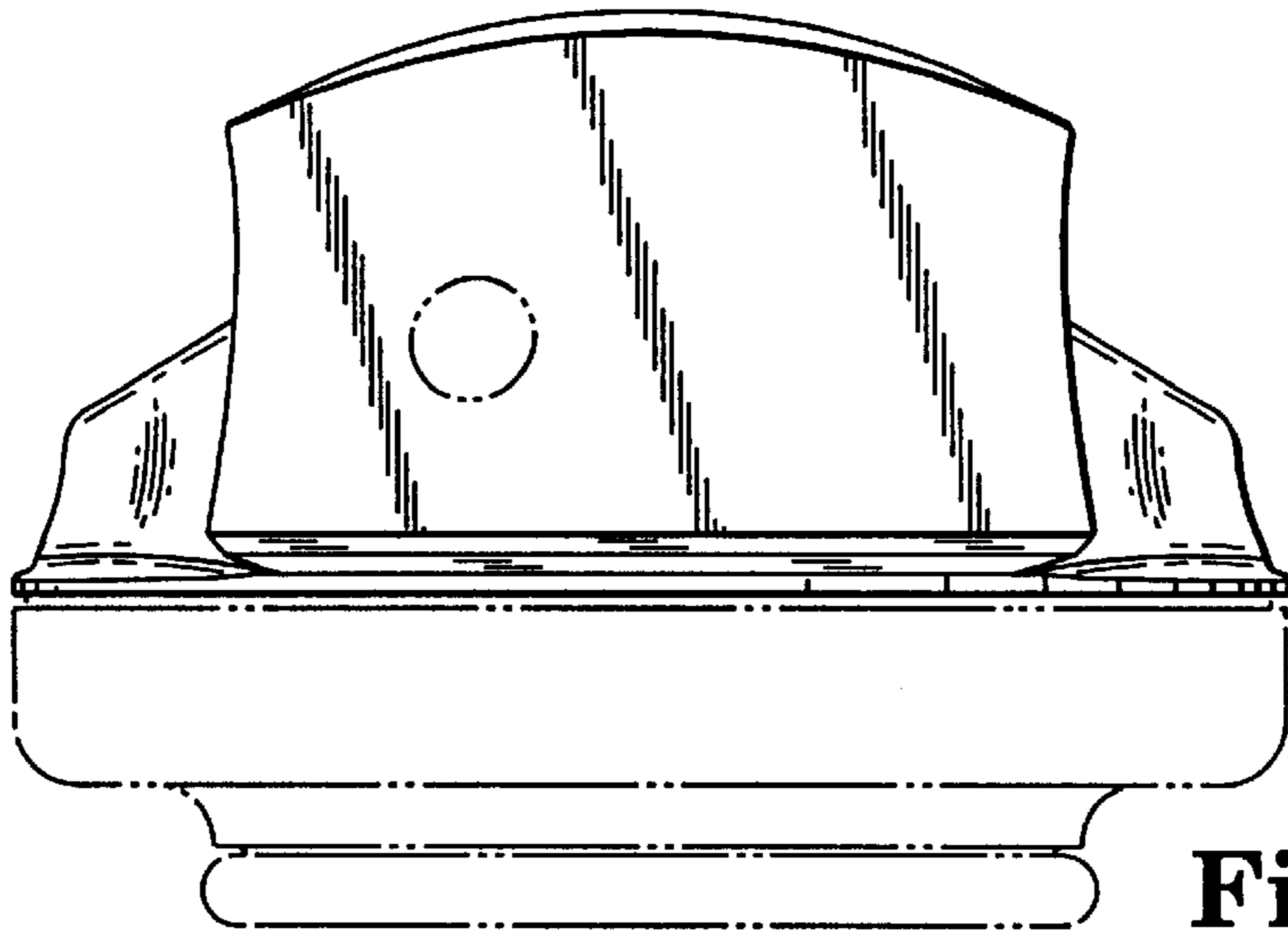


Fig. 5

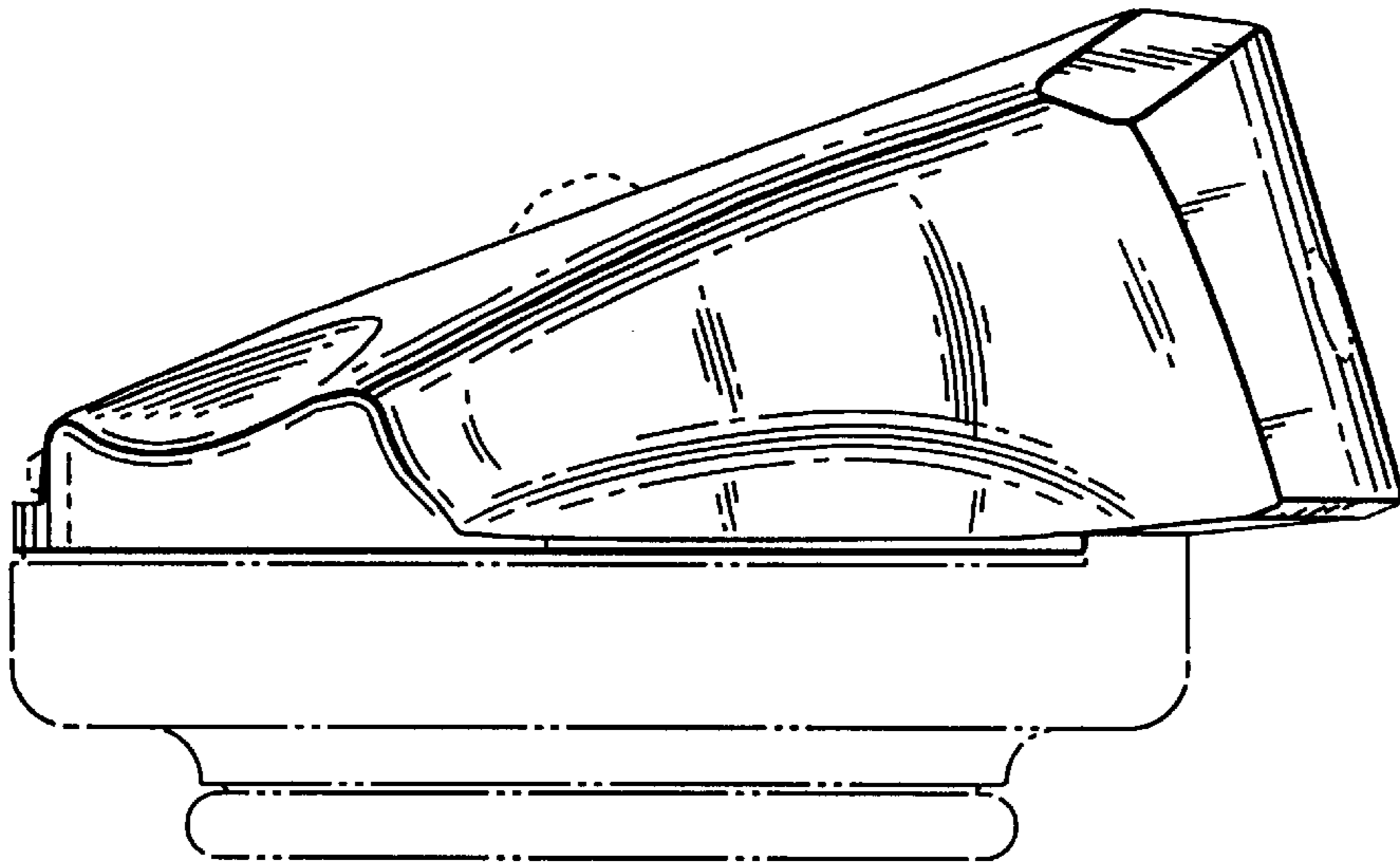


Fig. 6

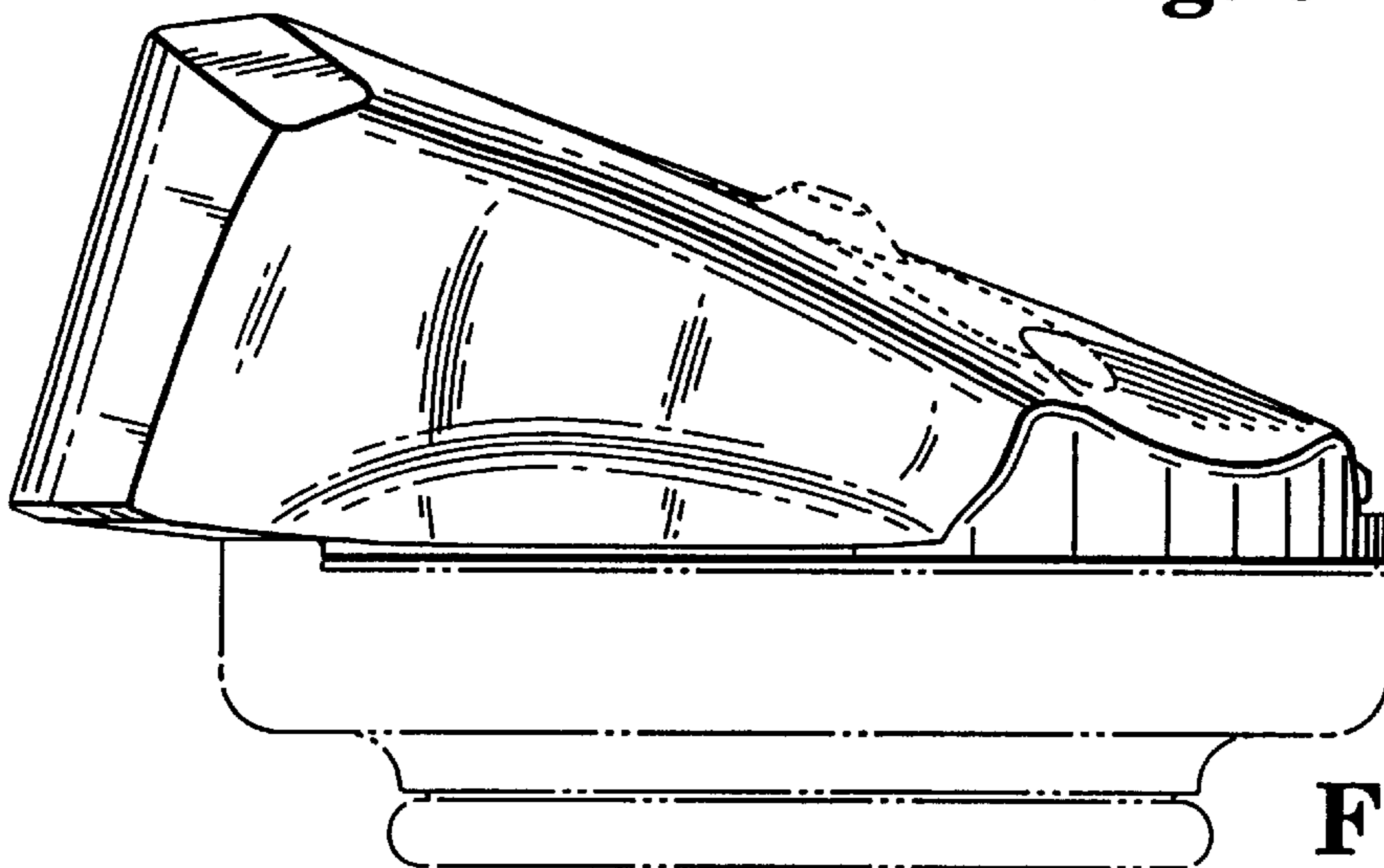


Fig. 7