



US00D403058S

United States Patent [19]
Sorimachi

[11] **Patent Number: Des. 403,058**

[45] **Date of Patent: **Dec. 22, 1998**

[54] **OPENING AND CLOSING DEVICE FOR THE SEAT OR THE SEAT LID OF A TOILET BOWL**

D. 380,817	7/1997	Veal	D23/309
5,592,703	1/1997	Jones et al.	4/667
5,661,858	9/1997	House et al.	4/667
5,664,286	9/1997	Sorimachi	4/246.24

[75] Inventor: **Akira Sorimachi**, Kanagawa, Japan

Primary Examiner—Louis S. Zarfes
Assistant Examiner—Eric Watterson
Attorney, Agent, or Firm—Notaro & Michalos P.C.

[73] Assignee: **Katoh Electrical Machinery Co., Ltd.**, Kanagawa, Japan

[**] Term: **14 Years**

[57] **CLAIM**

[21] Appl. No.: **67,795**

The ornamental design for an opening and closing device for the seat or the seat lid of a toilet bowl.

[22] Filed: **Mar. 12, 1997**

DESCRIPTION

[30] **Foreign Application Priority Data**

Sep. 17, 1996 [JP] Japan 8-27679

FIG. 1 is a front elevational view of an opening and closing device for the seat or the seat lid of a toilet bowl, illustrating my new design therefor;

[51] **LOC (6) Cl.** **23-02**

FIG. 2 is a rear elevational view thereof;

[52] **U.S. Cl.** **D23/309**

FIG. 3 is a top plan view thereof;

[58] **Field of Search** D23/233-237,
D23/244-248, 295, 301; 4/248, 305, 313,
406, DIG. 3; 251/40, 129.03

FIG. 4 is a bottom plan view thereof;

FIG. 5 is a right side elevational view thereof;

FIG. 6 is a left side elevational view thereof; and,

FIG. 7 is a perspective view thereof.

[56] **References Cited**

U.S. PATENT DOCUMENTS

D. 352,101 11/1994 Veal D23/309

1 Claim, 3 Drawing Sheets

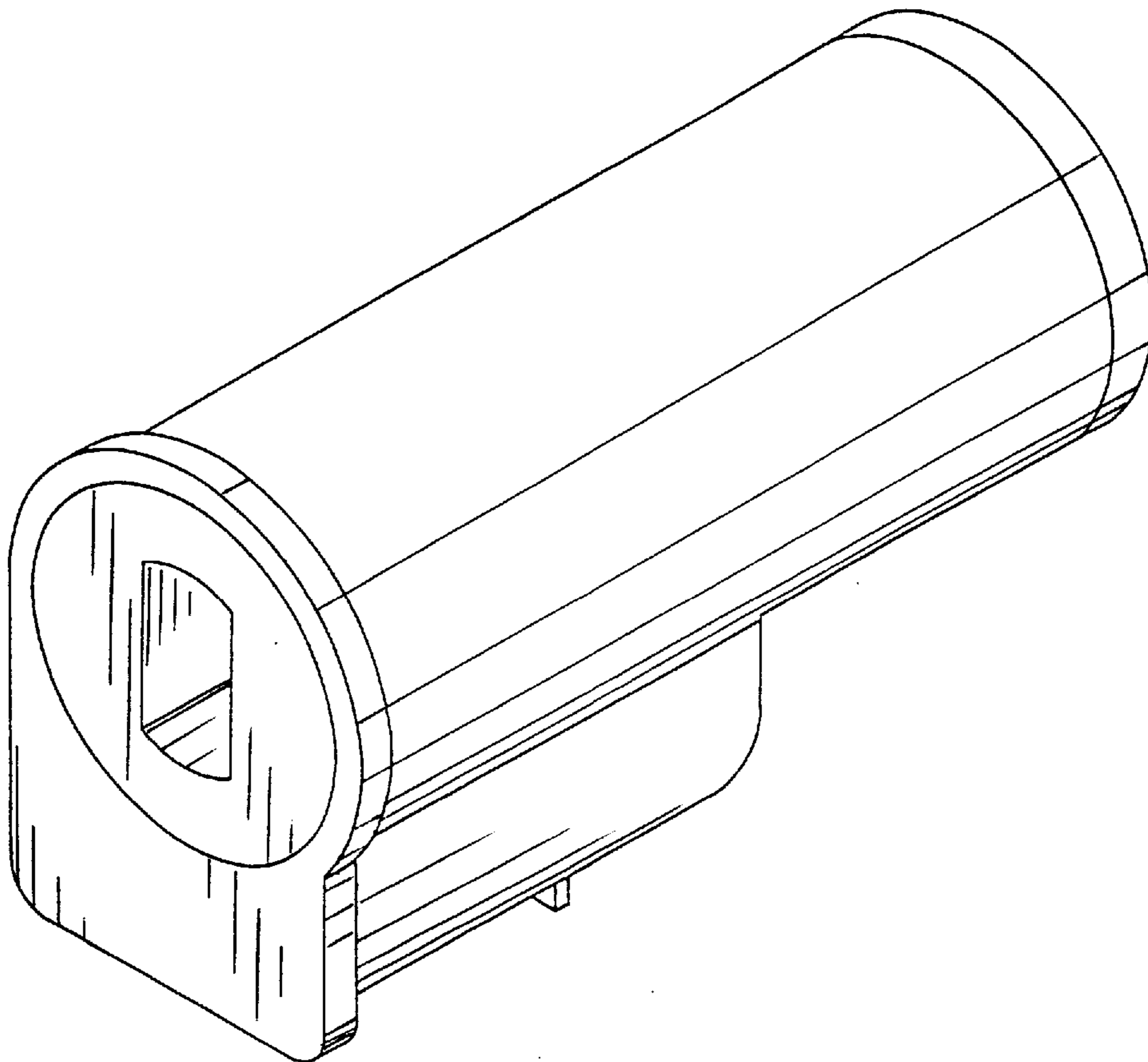


FIG. 1

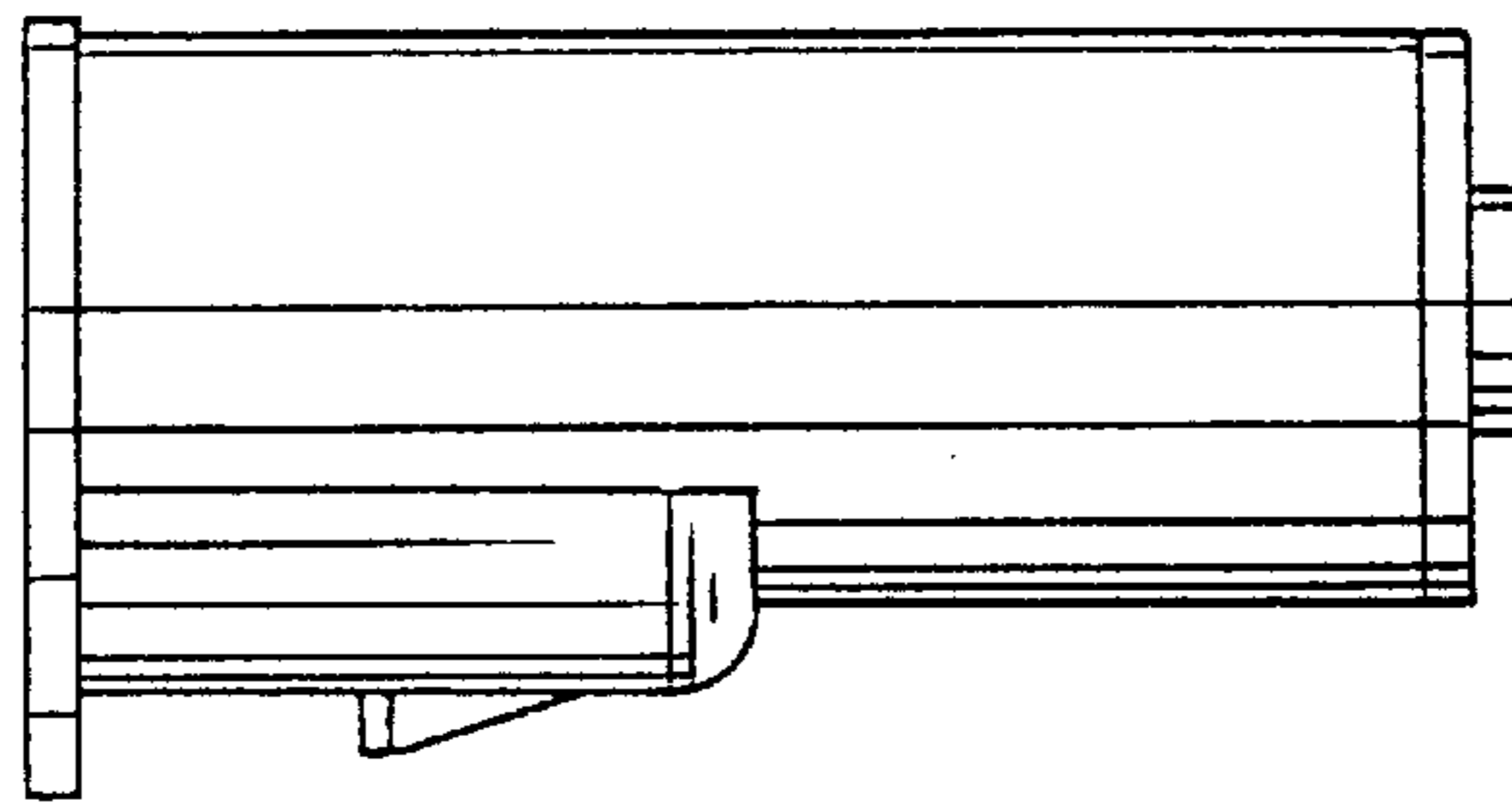


Fig. 2

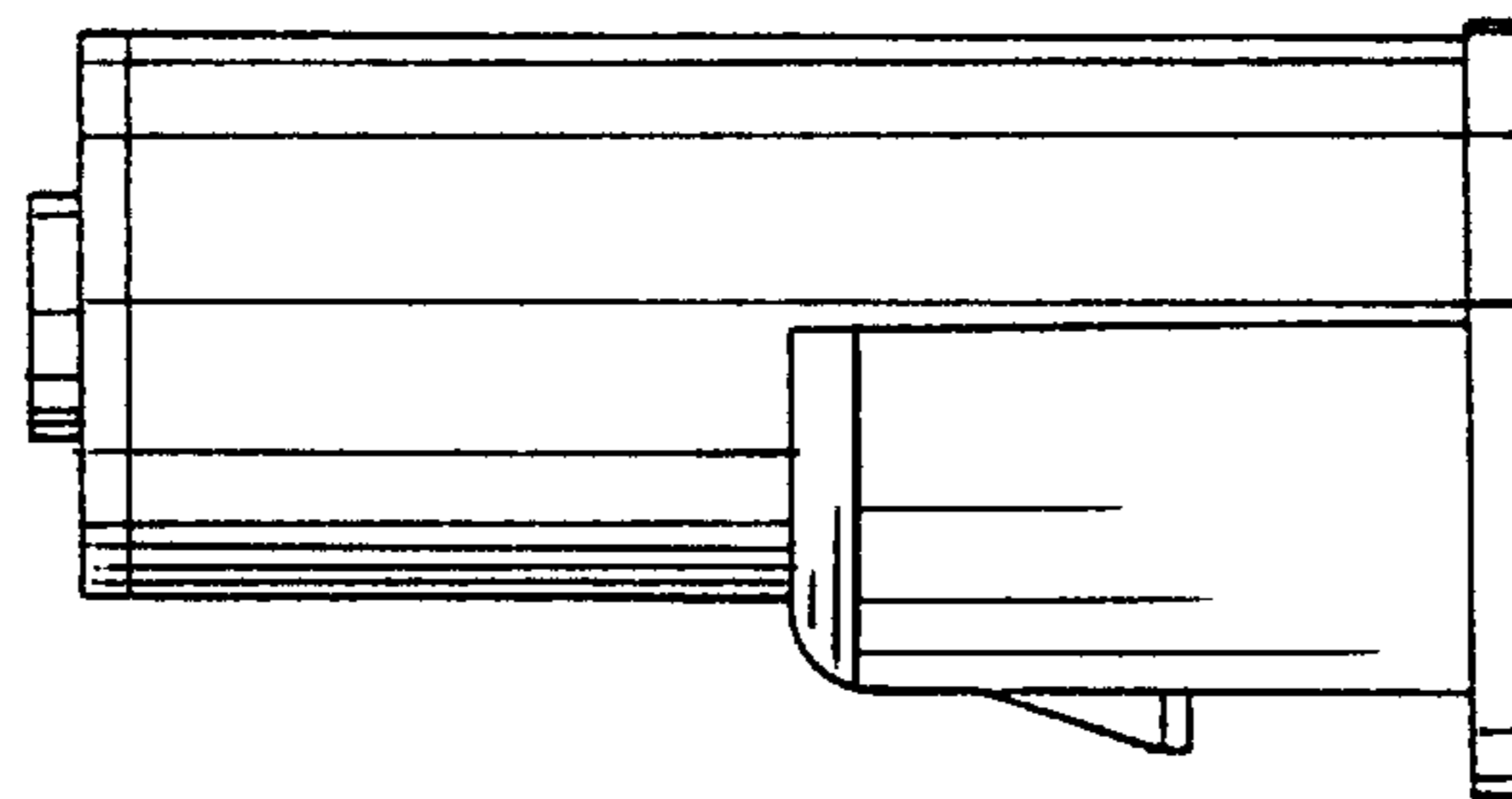


Fig. 3

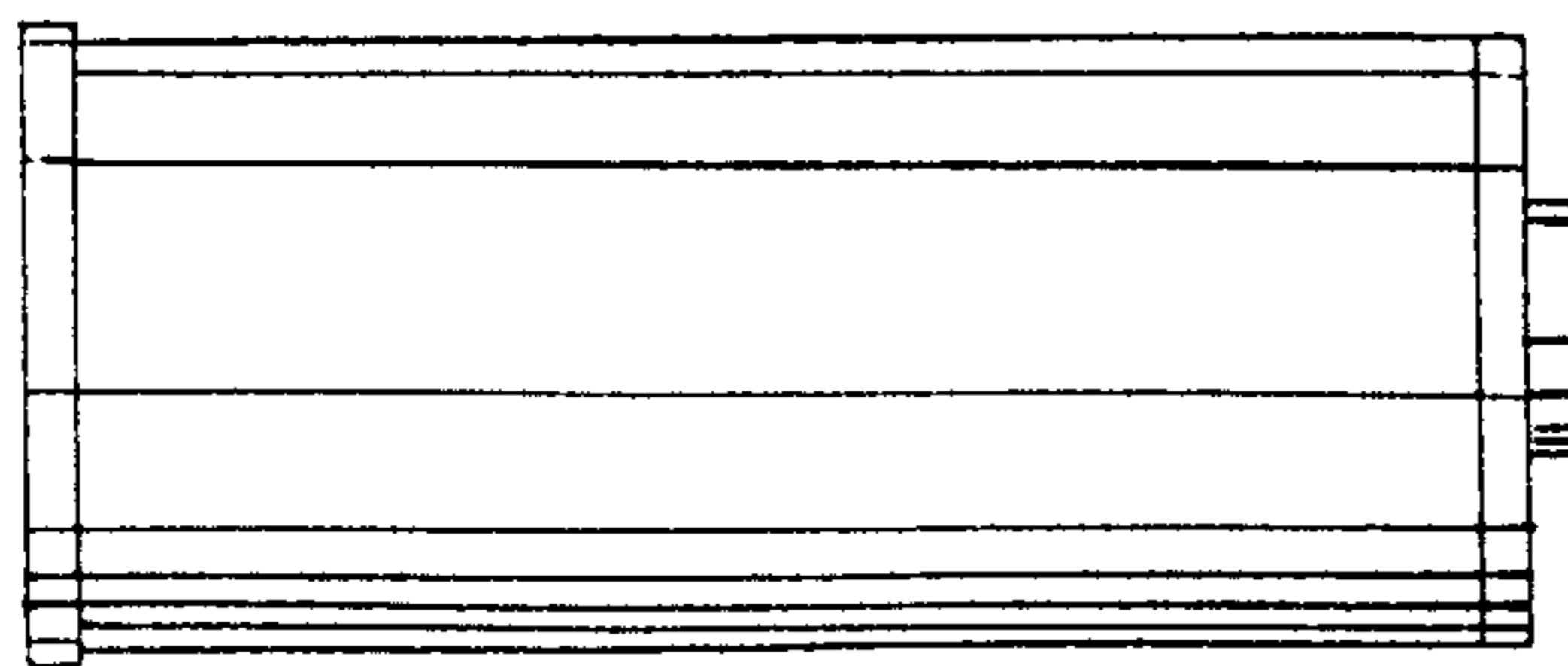


FIG. 4

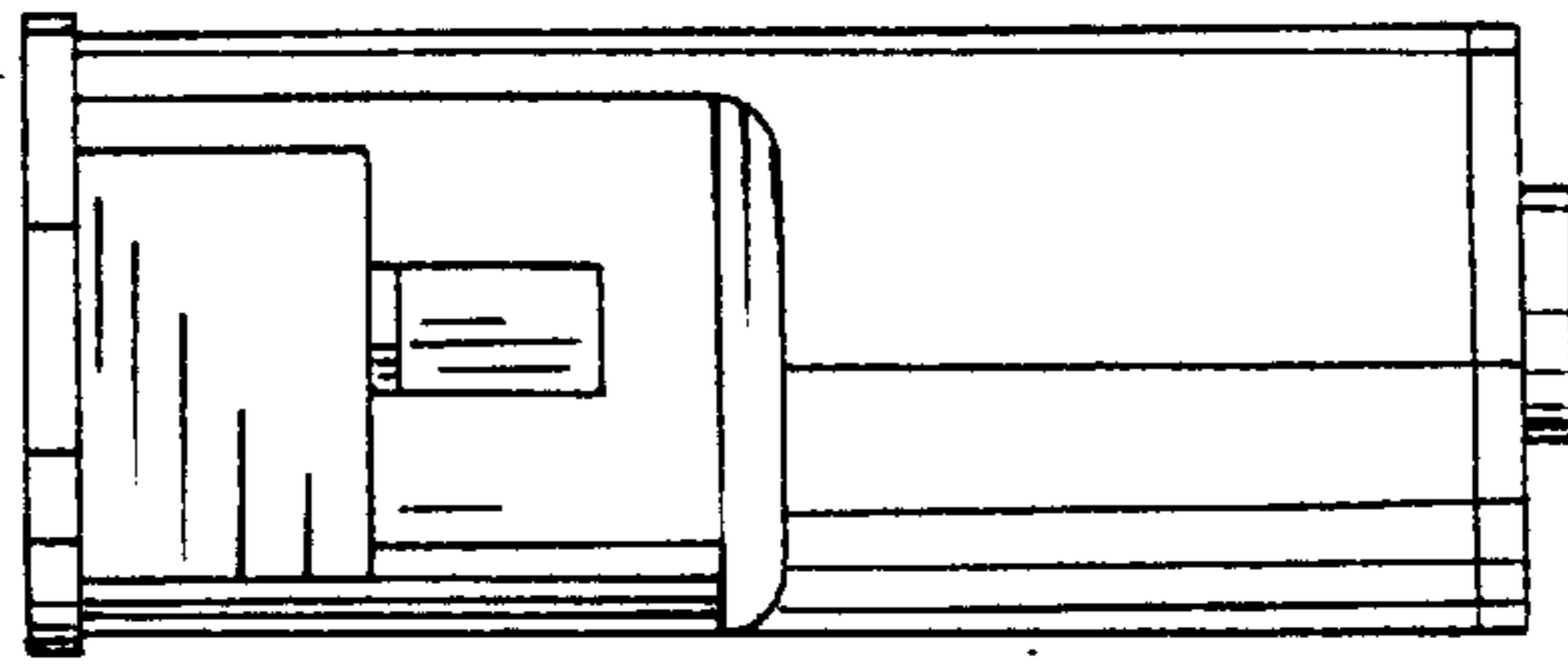


Fig. 5

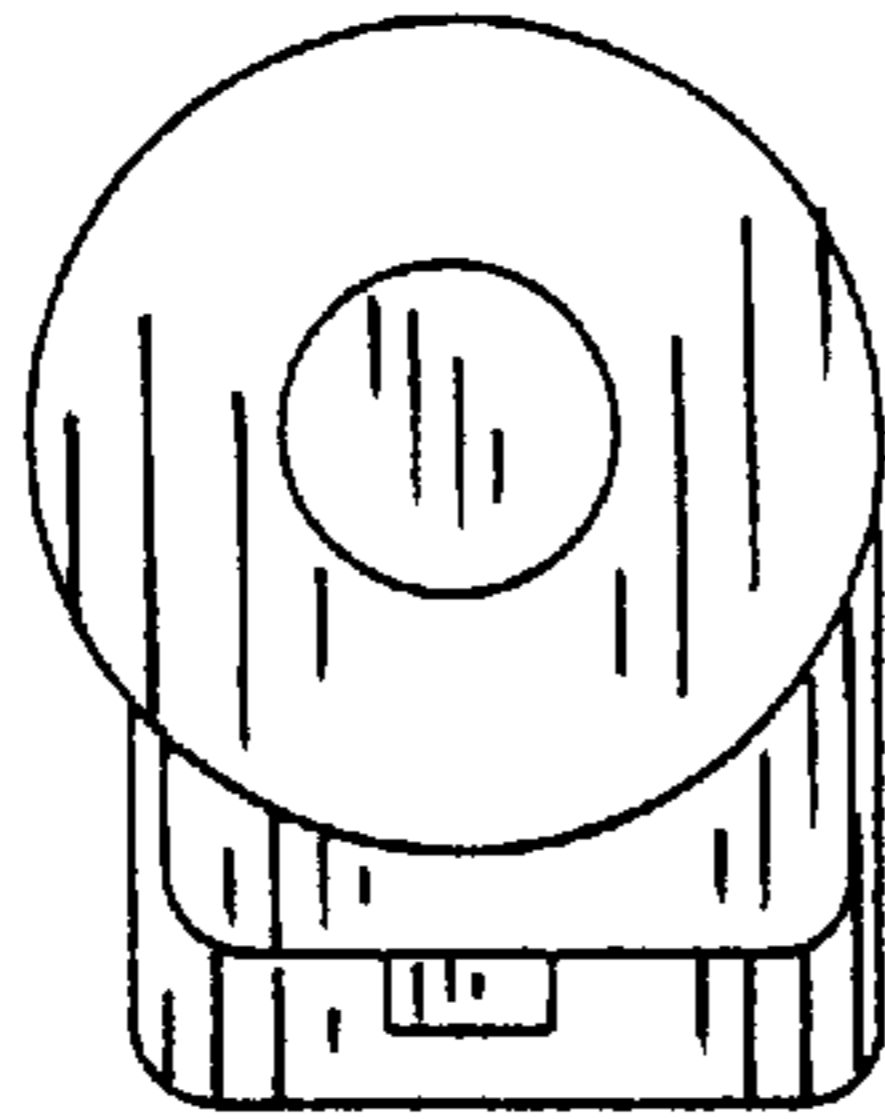


Fig. 6

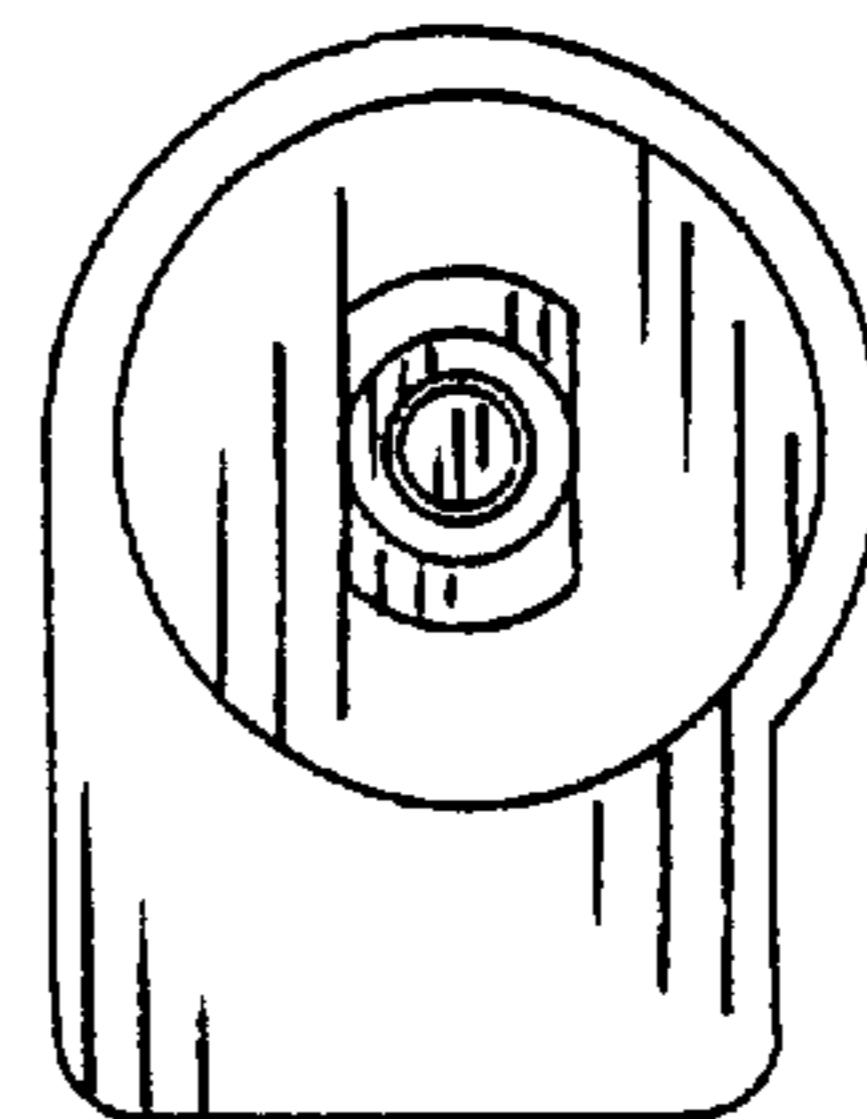


Fig. 7

