



US00D403057S

# United States Patent [19]

Van Marcke

[11] **Patent Number: Des. 403,057**

[45] **Date of Patent: \*\*\*Dec. 22, 1998**

[54] **WASH BASIN**

[75] Inventor: **Karel Carl Van Marcke**, Kruishoutem, Belgium

[73] Assignee: **International Sanitary Ware Manufacturing CY, S.A.**, Belgium

[\*] Notice: The term of this patent shall not extend beyond the expiration date of Pat. No. D. 400,657.

[\*\*] Term: **14 Years**

[21] Appl. No.: **81,342**

[22] Filed: **Dec. 30, 1997**

[51] **LOC (6) Cl.** ..... **23-02**

[52] **U.S. Cl.** ..... **D23/292**

[58] **Field of Search** ..... D23/284-293.1;  
4/619, 624, 626, 638-650

[56] **References Cited**

**U.S. PATENT DOCUMENTS**

D. 224,222 7/1972 Collins ..... D23/284

D. 328,338 7/1992 Ragonot ..... D23/284  
D. 337,377 7/1993 Bonnell et al. .... D23/284  
D. 385,957 11/1997 Loguero Garzo ..... D23/284  
D. 390,928 2/1998 Slothower ..... D23/284

*Primary Examiner*—Louis S. Zarfes  
*Assistant Examiner*—Eric Watterson  
*Attorney, Agent, or Firm*—Cahill, Sutton & Thomas P.L.C.

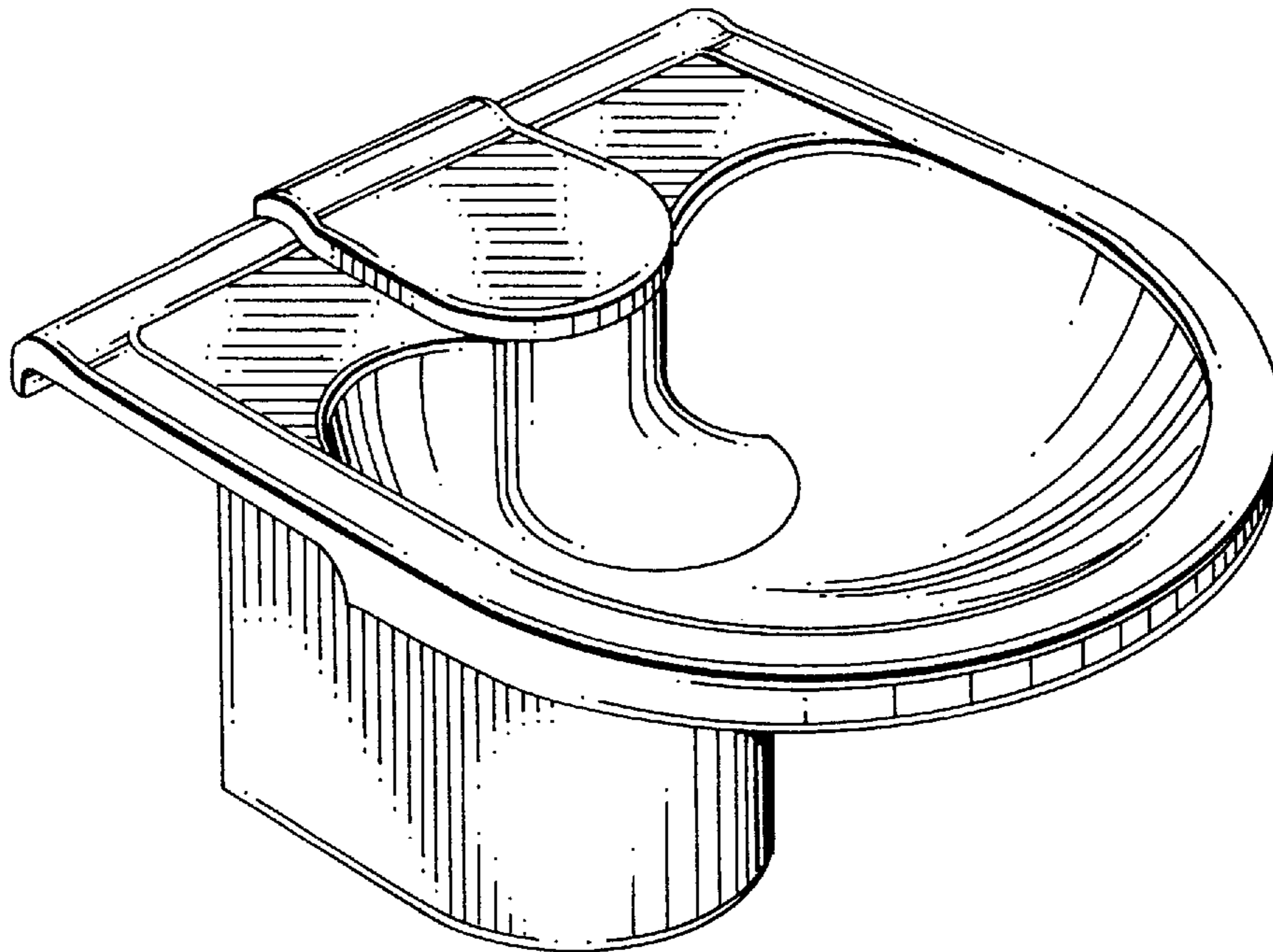
[57] **CLAIM**

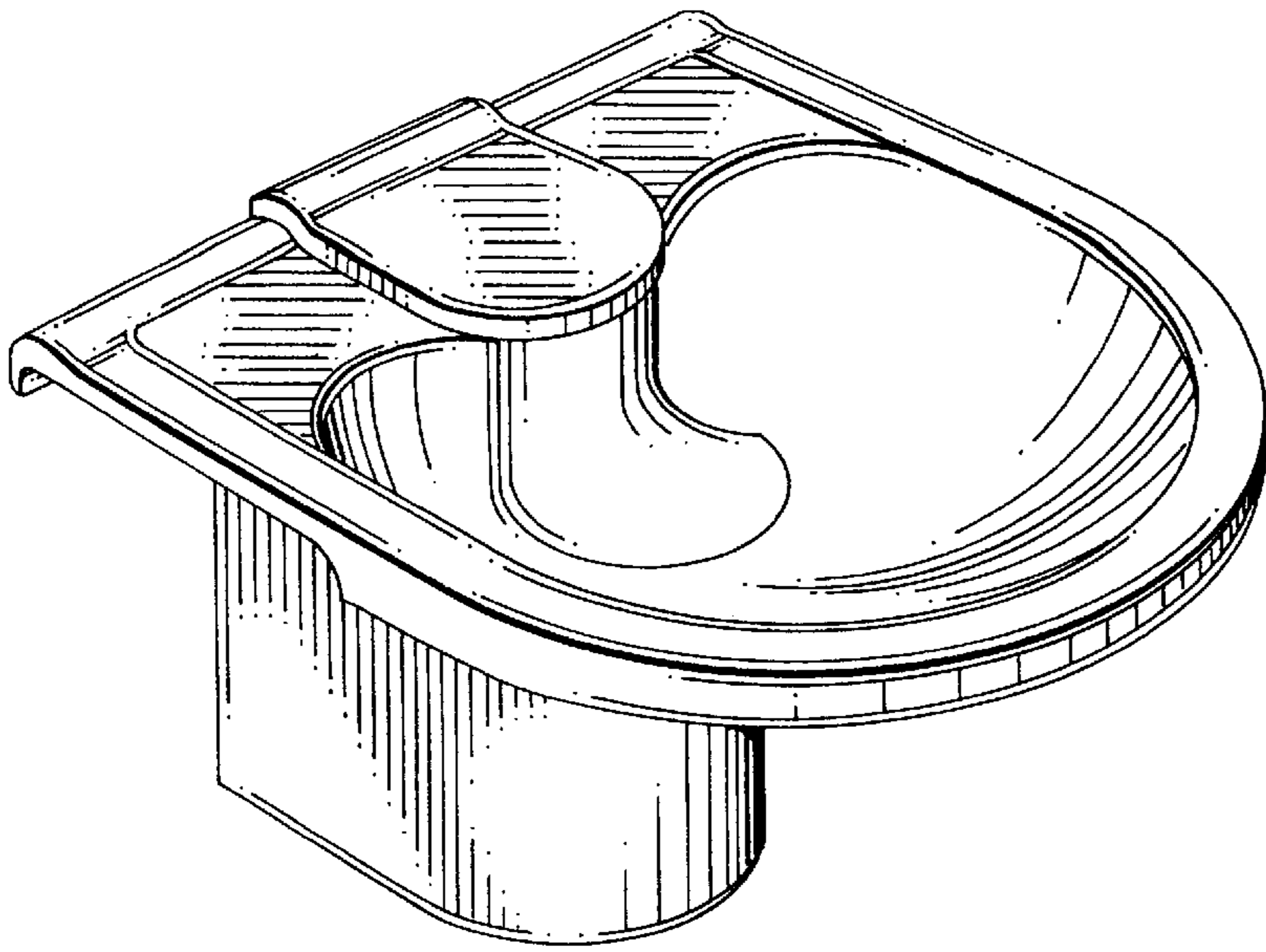
The ornamental design for a wash basin, as shown and described.

**DESCRIPTION**

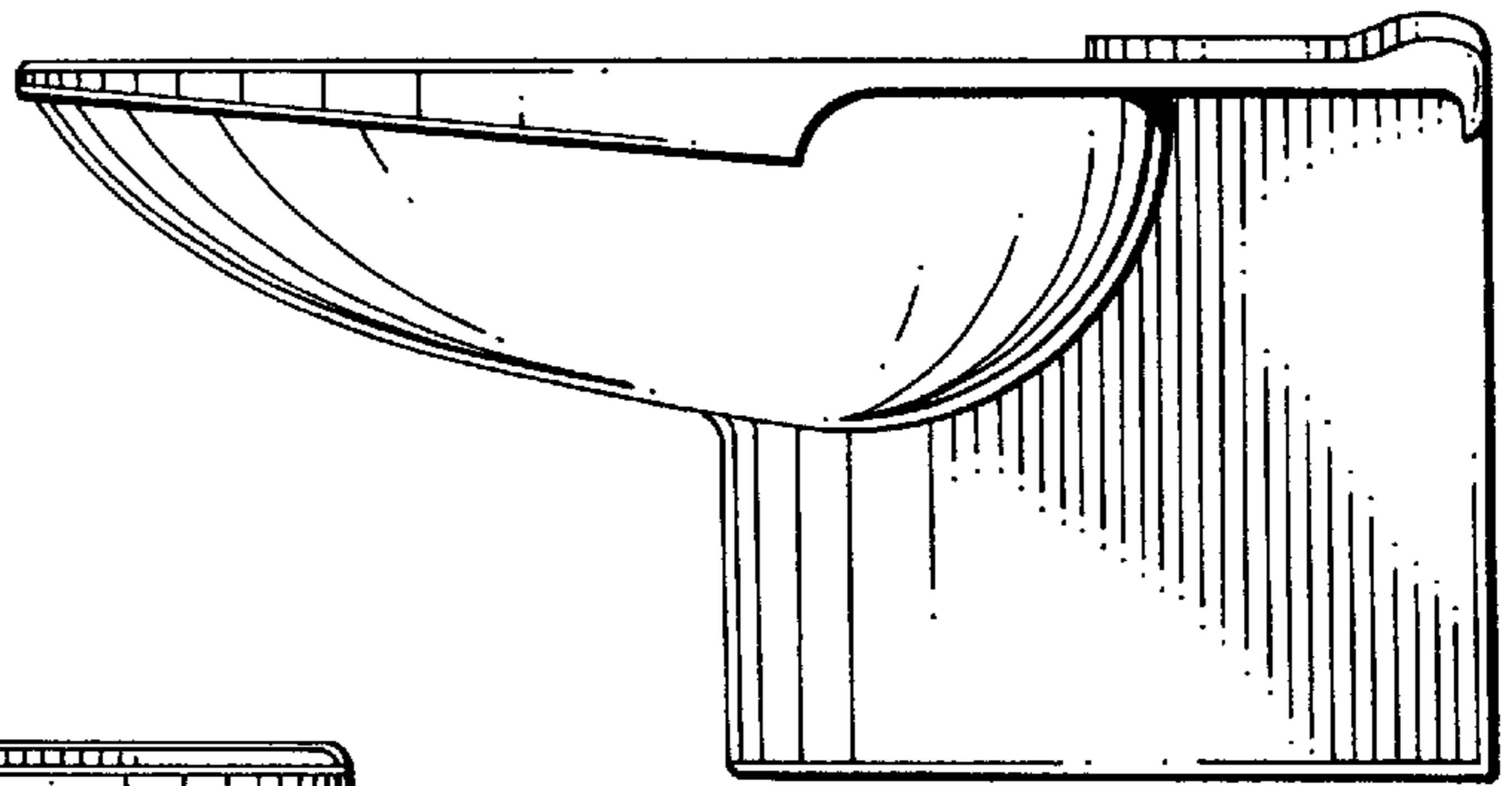
FIG. 1 is a perspective view of a wash basin showing my new design;  
FIG. 2 is a right side elevational view thereof, the left side elevational view being a mirror image;  
FIG. 3 is a front elevational view thereof;  
FIG. 4 is a rear elevational view thereof;  
FIG. 5 is a top plan view thereof; and,  
FIG. 6 is a bottom plan view thereof.

**1 Claim, 2 Drawing Sheets**

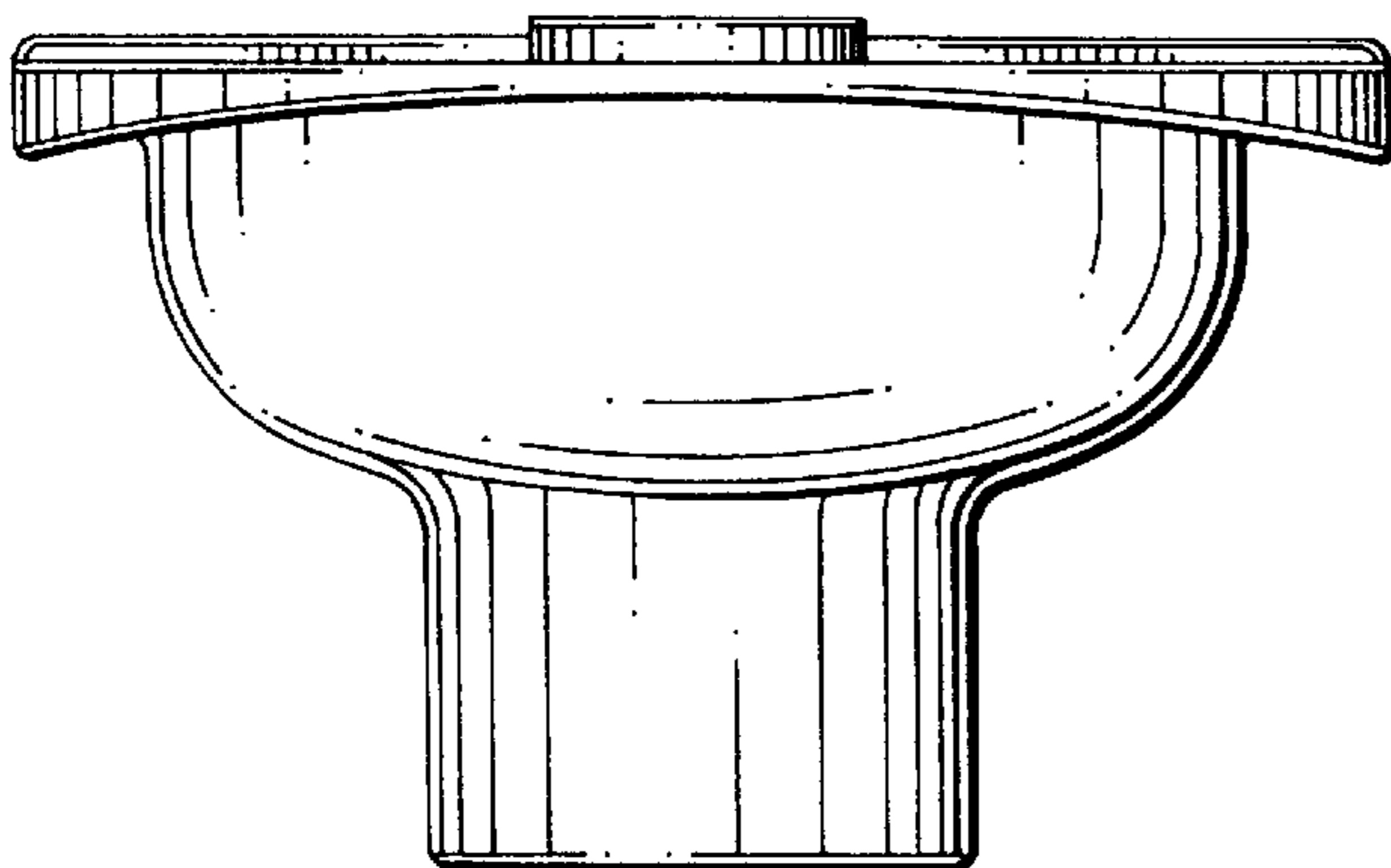




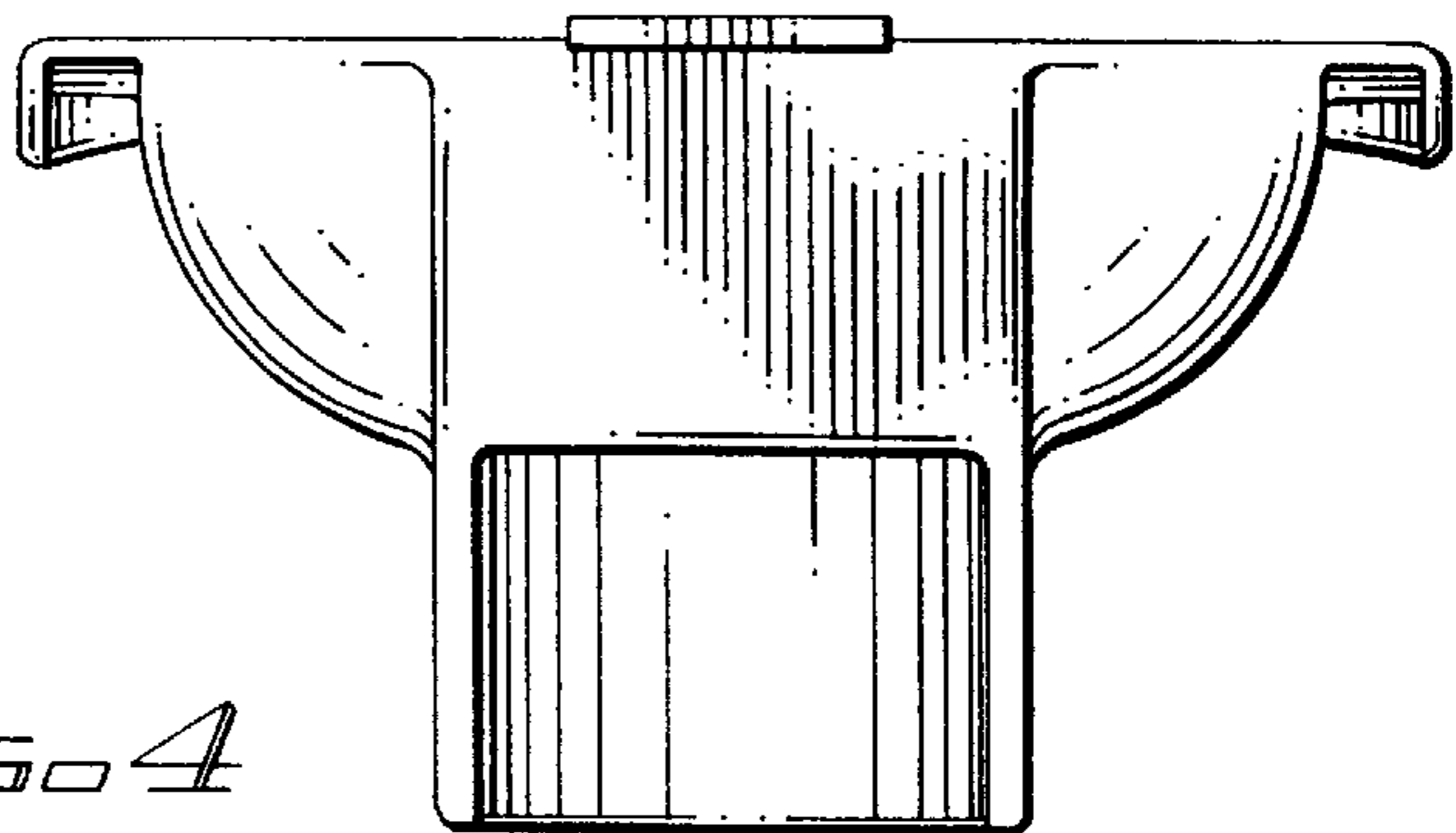
*FIG. 1*



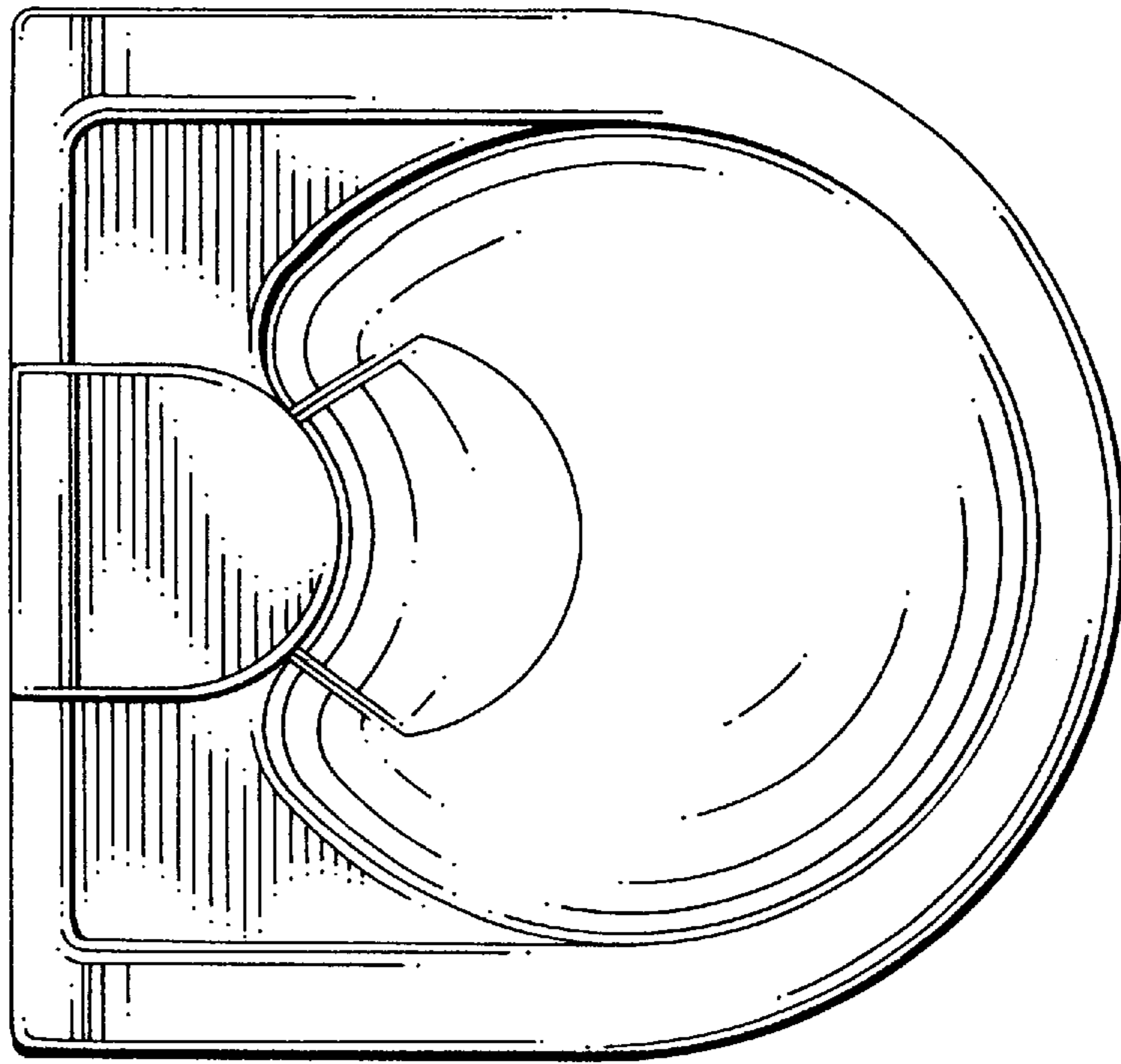
*FIG. 2*



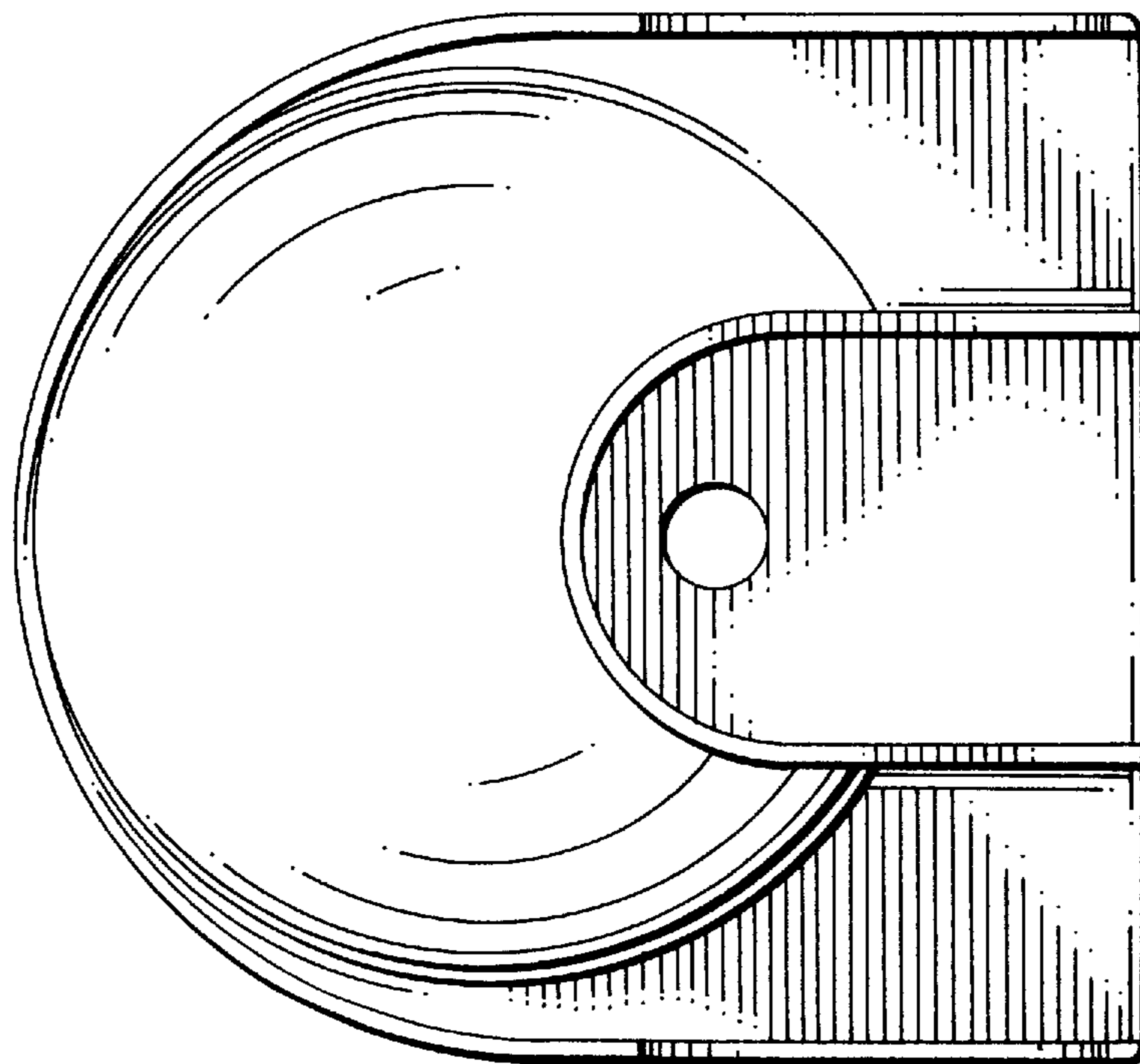
*FIG. 3*



*FIG. 4*



*FIG. 5*



*FIG. 6*