



US00D403052S

United States Patent [19]

[11] **Patent Number: Des. 403,052**

Ohtani et al.

[45] **Date of Patent: **Dec. 22, 1998**

[54] **YOKE OF VALVE**

3,651,827 3/1972 Hammer et al. 137/556.3
5,218,994 6/1993 Jeschke 137/556.3

[75] Inventors: **Hideo Ohtani; Ryoji Okutsu; Hiroshi Yamamoto; Koji Izumi**, all of Kanagawa Pref., Japan

Primary Examiner—Alan P. Douglas
Assistant Examiner—Robin V. Taylor
Attorney, Agent, or Firm—Whitham, Curtis & Whitham

[73] Assignee: **Yamatake-Honeywell Co., Ltd.**, Tokyo, Japan

[57] **CLAIM**

[**] Term: **14 Years**

We claim the ornamental design for a yoke of valve, as shown and described.

[21] Appl. No.: **73,244**

DESCRIPTION

[22] Filed: **Jul. 10, 1997**

[51] **LOC (6) Cl.** **23-01**

[52] **U.S. Cl.** **D23/249**

[58] **Field of Search** D23/233, 235, D23/245, 247, 248, 249; 251/329; 137/556.3

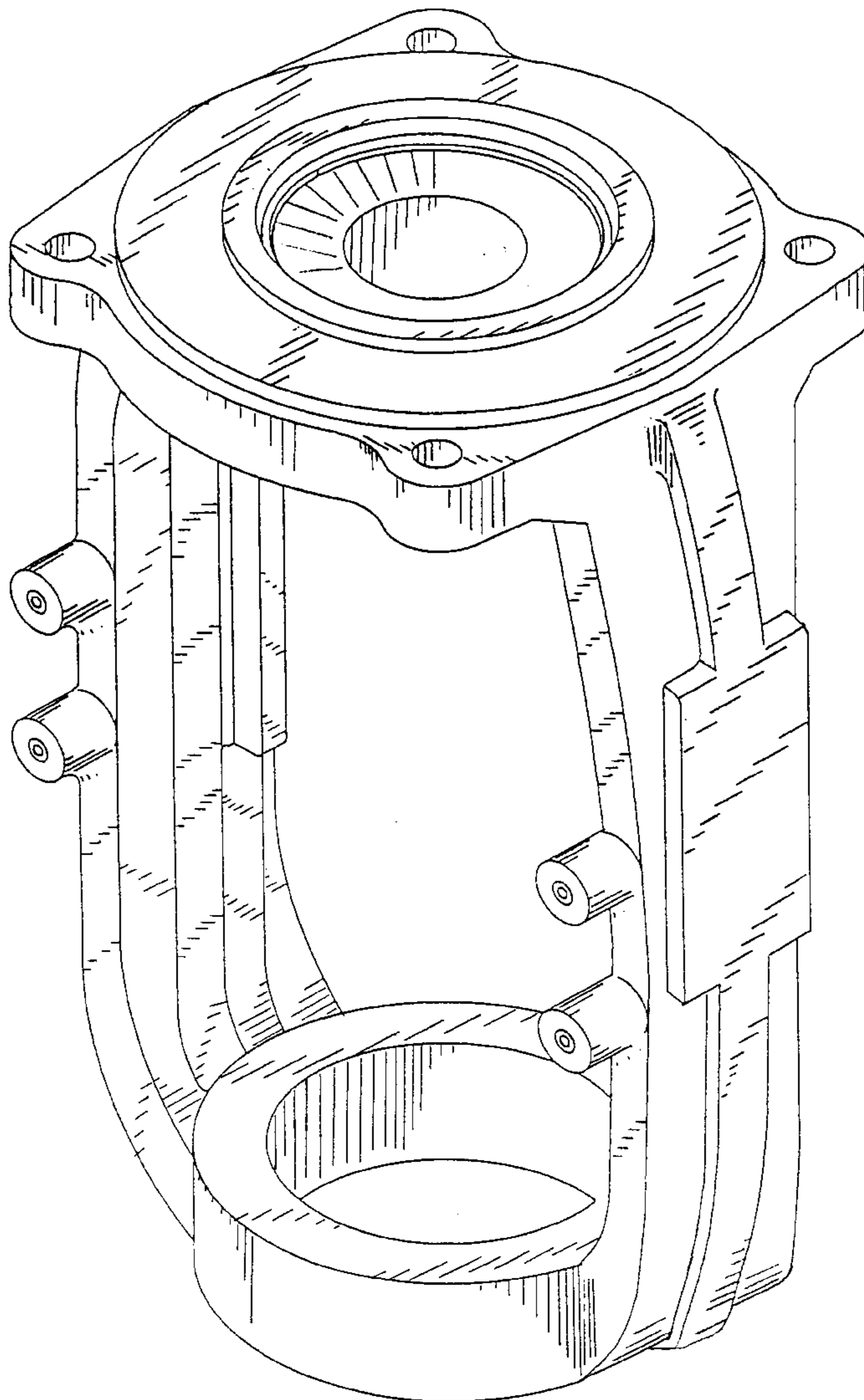
FIG. 1 is front elevation view of the yoke of a valve;
FIG. 2 is a rear elevation view of the yoke of a valve;
FIG. 3 is a left side elevation view of the yoke of a valve;
FIG. 4 is a right side elevation view of the yoke of a valve;
FIG. 5 is a top plan view of the yoke of a valve;
FIG. 6 is a bottom plan view of the yoke of a valve; and,
FIG. 7 is an isometric view of the yoke of a valve.

[56] **References Cited**

U.S. PATENT DOCUMENTS

2,456,403 12/1948 Goehring 137/556.3

1 Claim, 6 Drawing Sheets



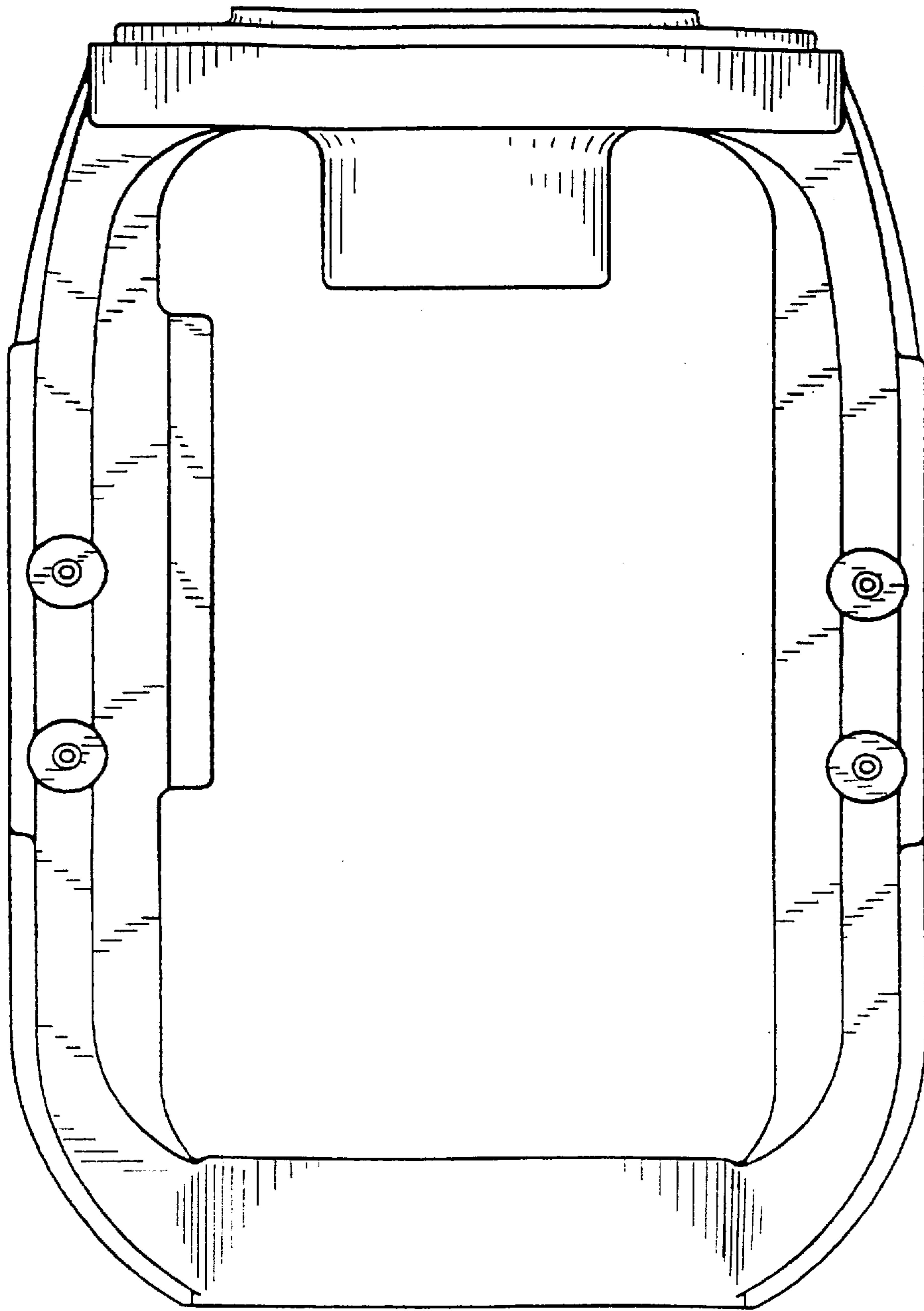


FIG. 1

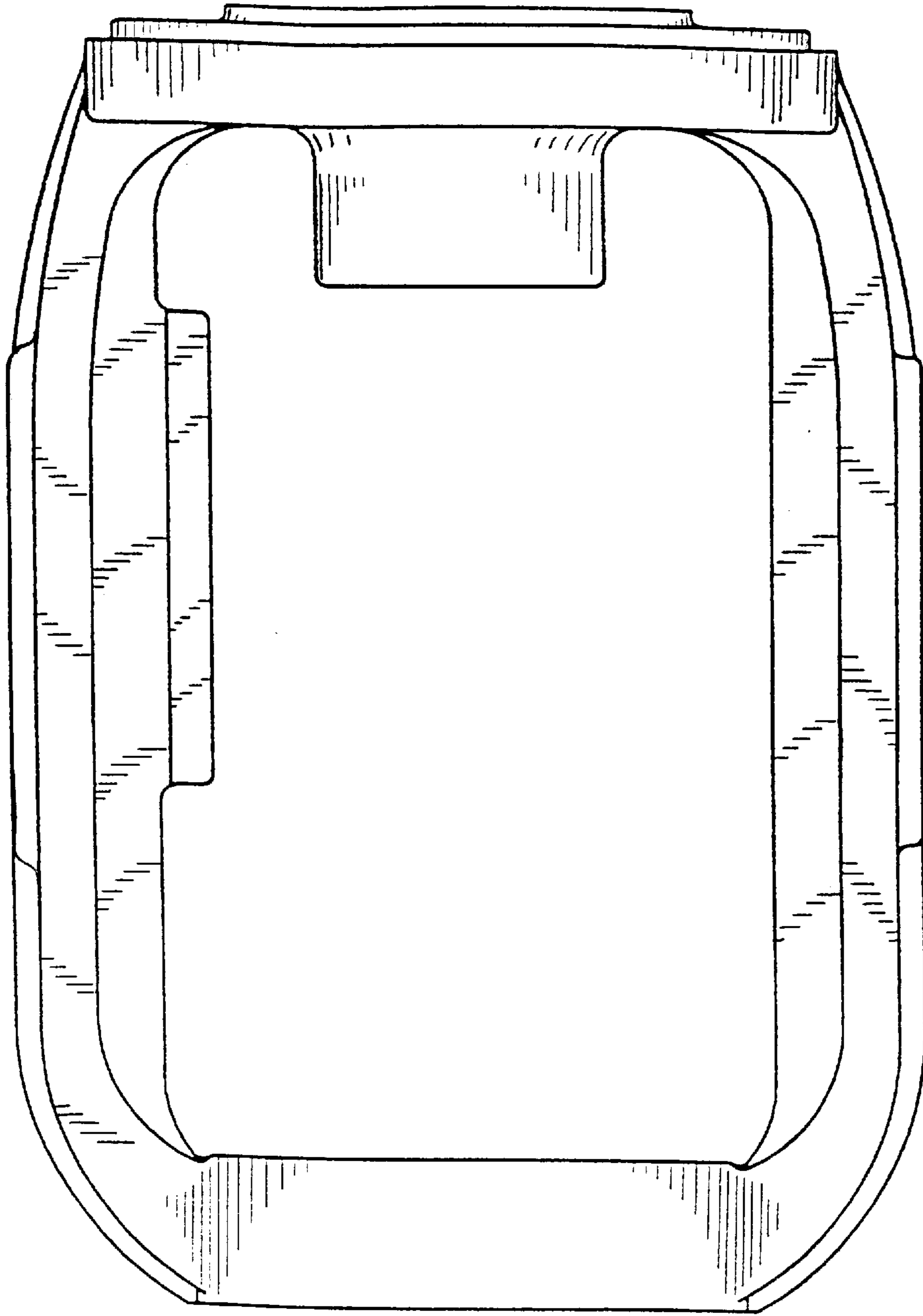


FIG.2

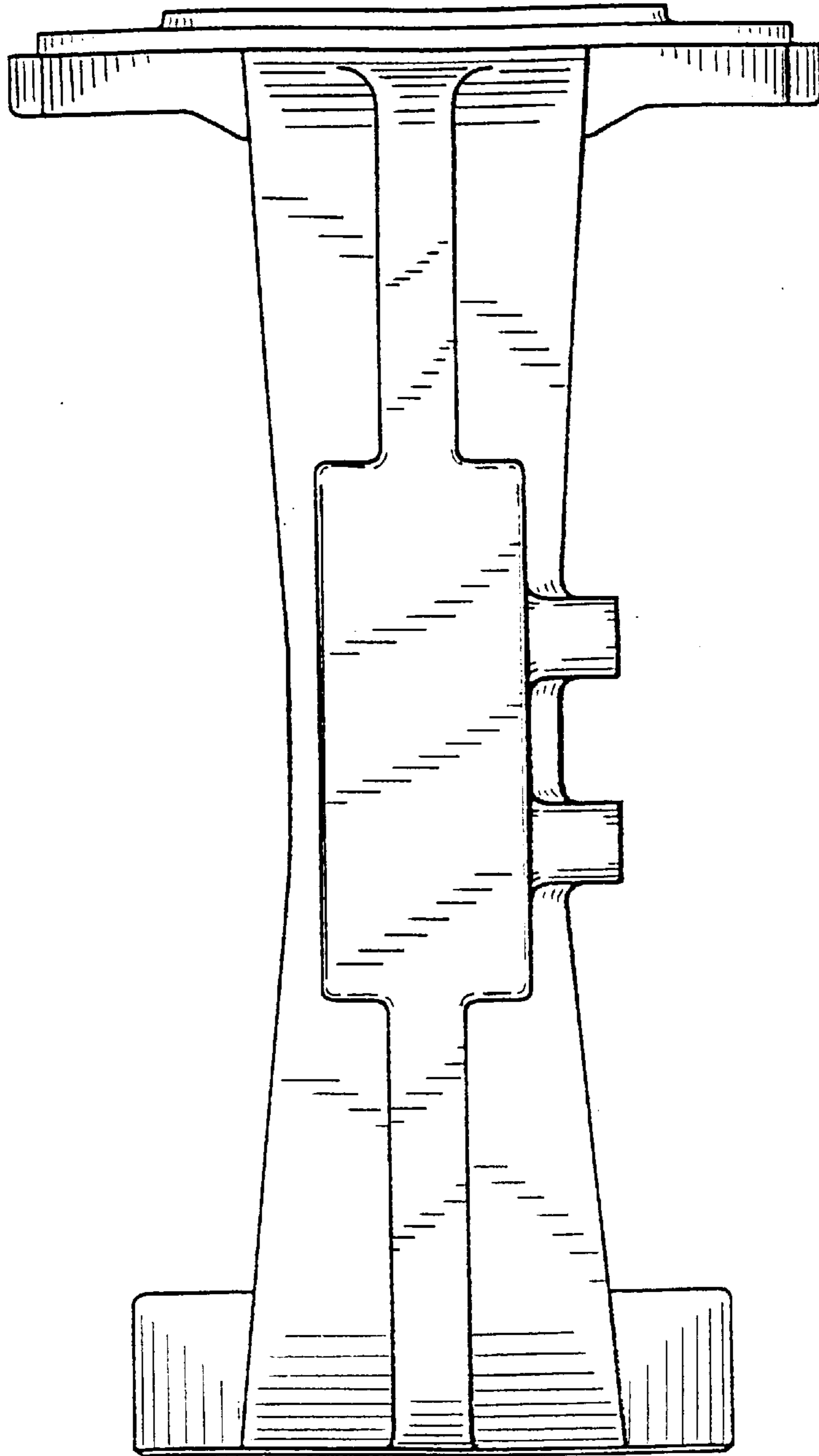


FIG. 3

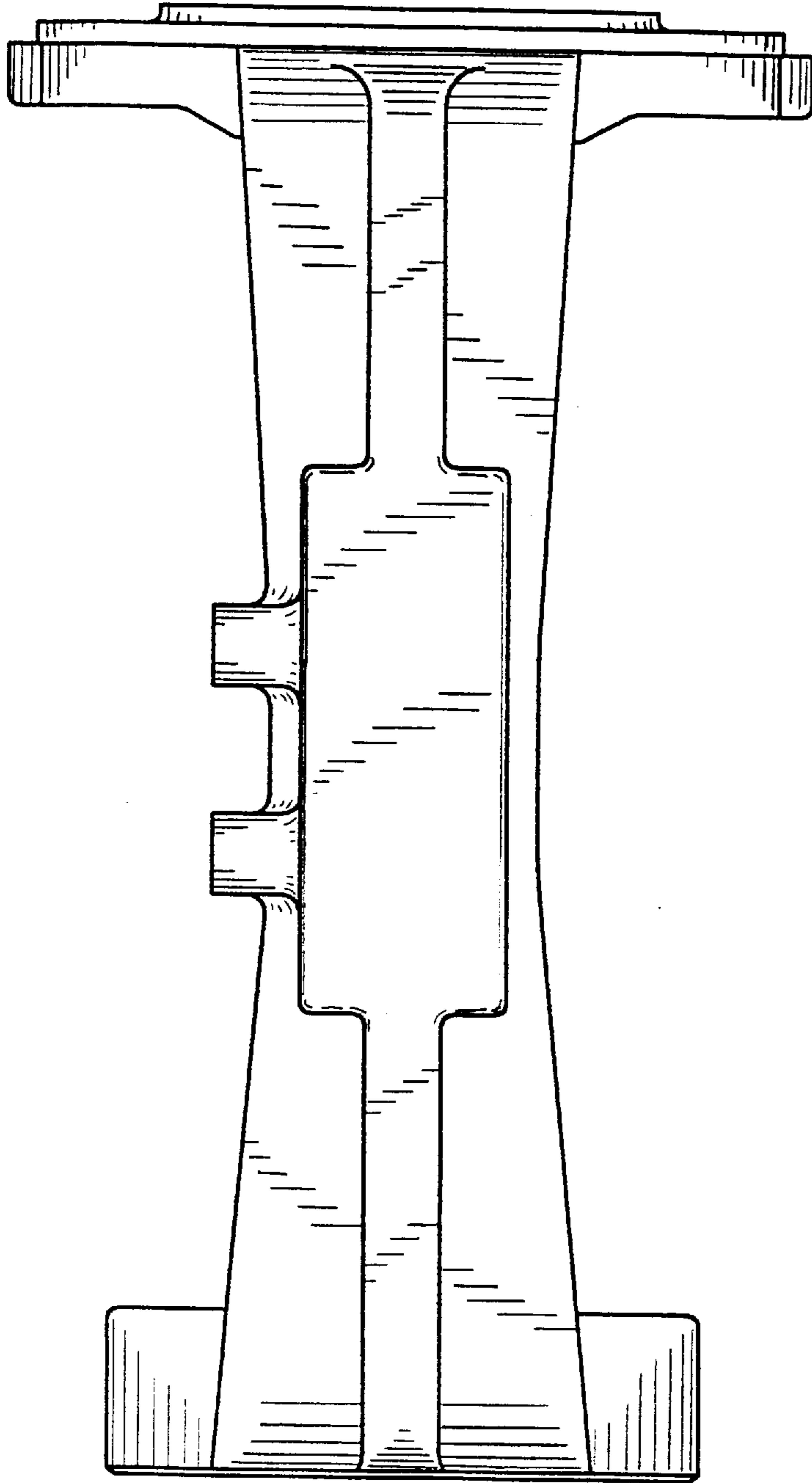


FIG. 4

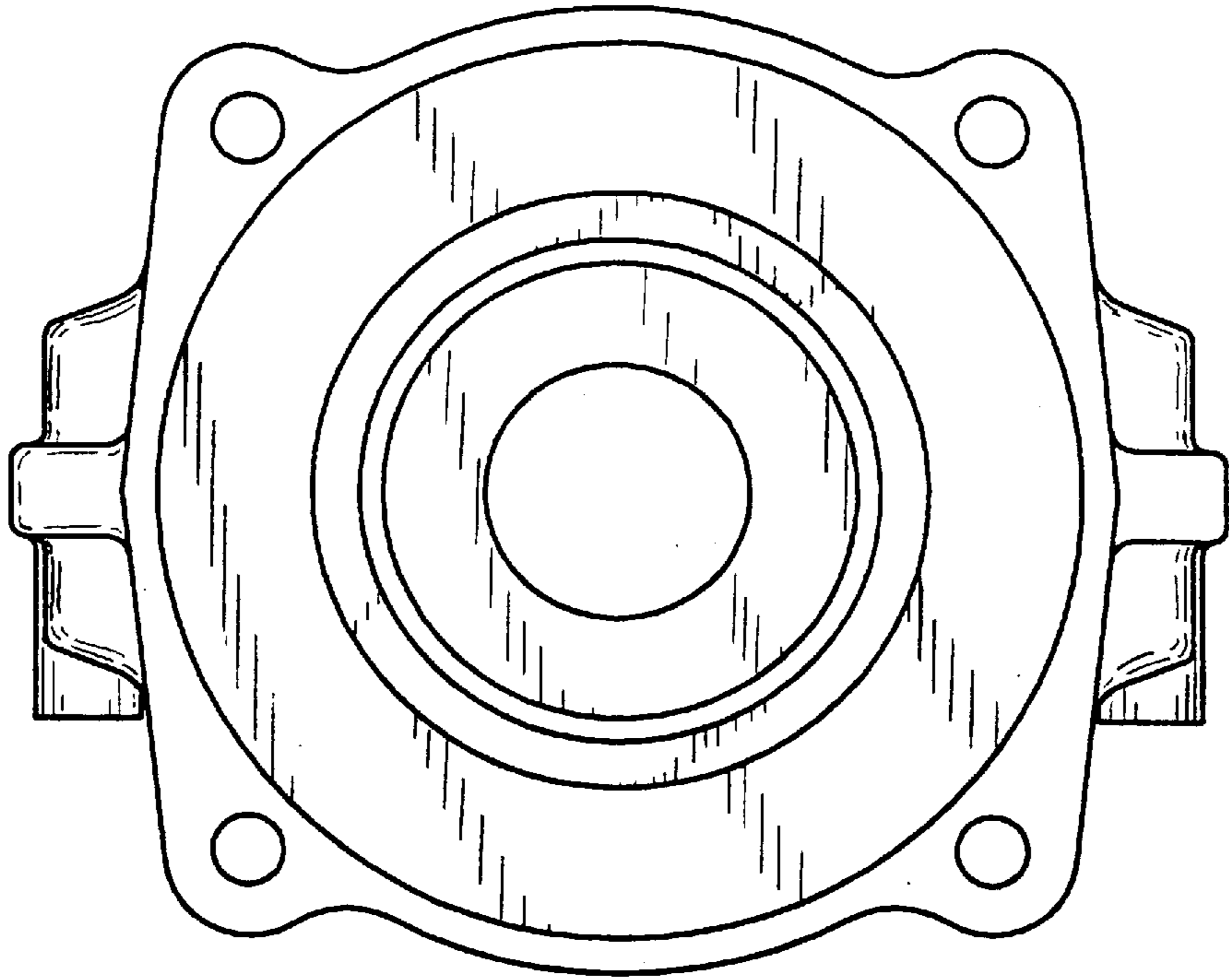


FIG. 5

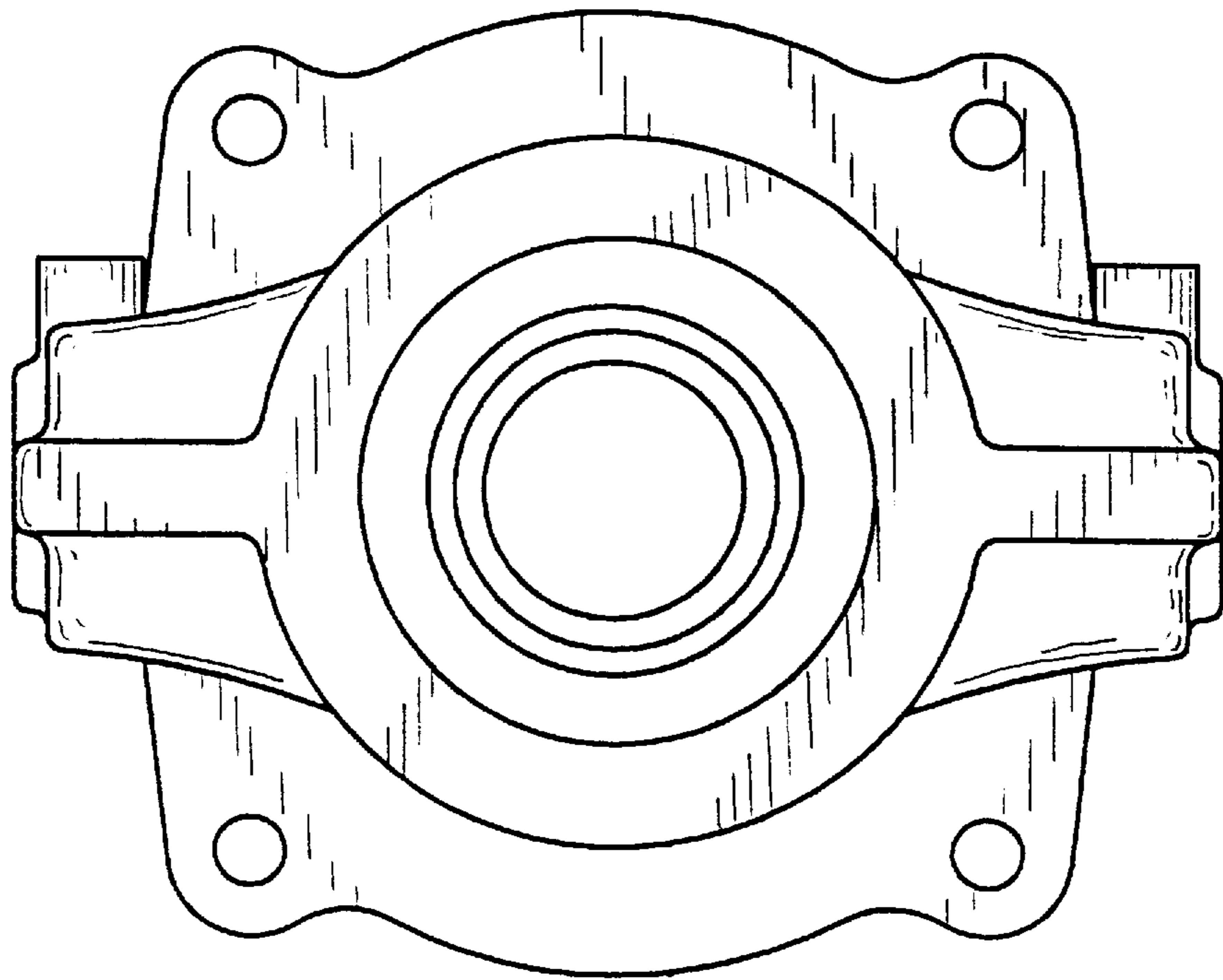


FIG. 6

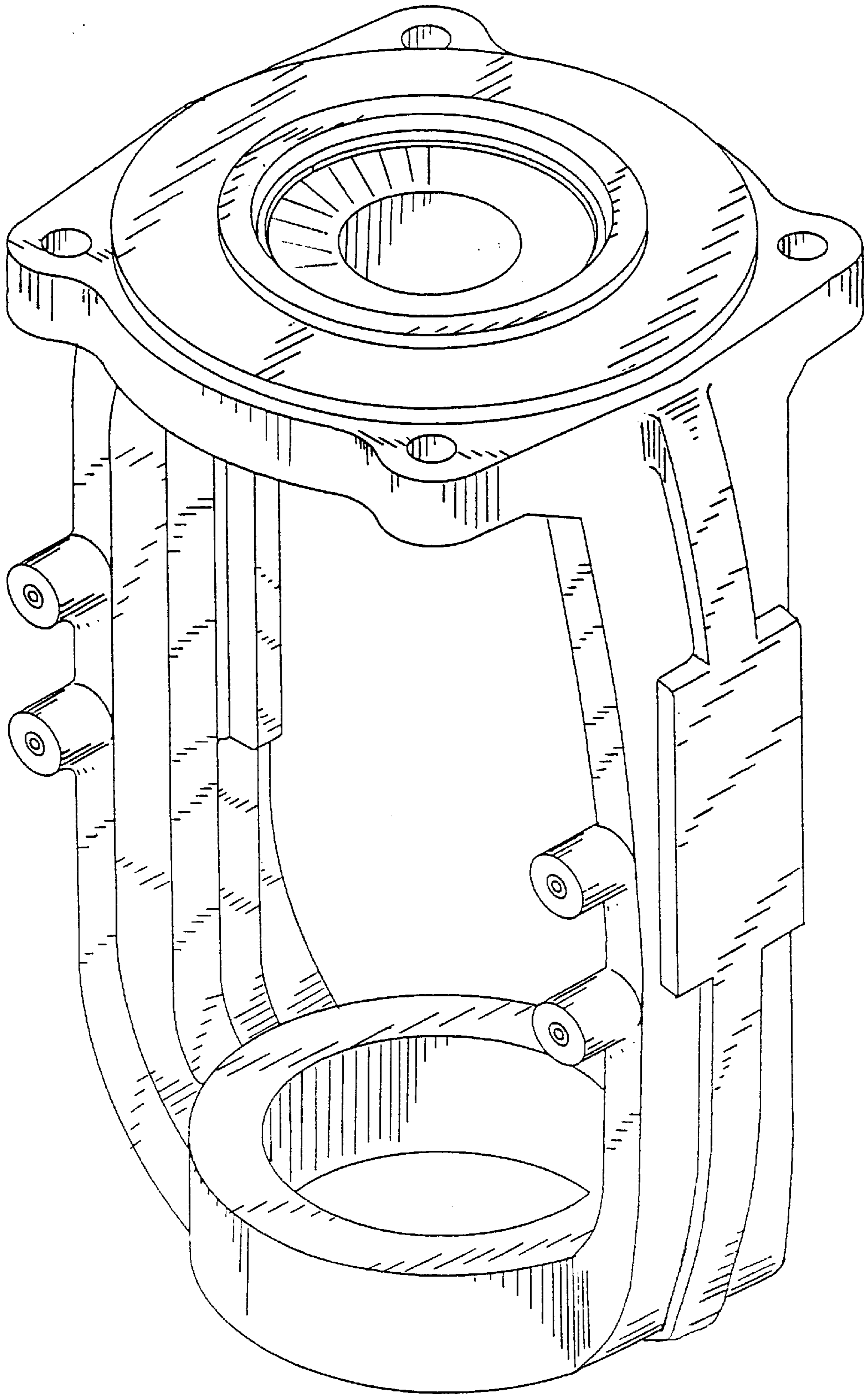


FIG. 7