



US00D403050S

United States Patent [19]
Schlick

[11] **Patent Number: Des. 403,050**

[45] **Date of Patent: **Dec. 22, 1998**

[54] **GAS REGULATOR**

[76] Inventor: **Bernard Schlick**, 97 Via Stazione,
25011 Calcinato, Italy

[**] Term: **14 Years**

[21] Appl. No.: **56,372**

[22] Filed: **Jun. 27, 1996**

[51] **LOC (6) Cl.** **23-01**

[52] **U.S. Cl.** **D23/235**

[58] **Field of Search** D23/233, 263,
D23/235, 237, 248, 249; 137/505, 505.42,
505.46, 505.47

[56] **References Cited**

U.S. PATENT DOCUMENTS

D. 164,824	10/1951	St. Clair	D23/235
D. 168,641	1/1953	St. Clair et al.	D23/235
D. 186,925	12/1959	Zdara et al.	D23/235
D. 203,920	2/1966	Balsamo	D23/235
D. 362,298	9/1995	Lee	D23/235
D. 362,488	9/1995	Lee	D23/235
D. 362,712	9/1995	Lee	D23/235
D. 379,845	6/1997	Lee	D23/235
4,344,456	8/1982	Hostetler	137/403
5,131,425	7/1992	Sturgis	137/505.46 X

FOREIGN PATENT DOCUMENTS

19854	12/1980	European Pat. Off.	137/505.46
816326	8/1937	France	137/505.46
1248005	10/1960	France	137/505.46
448028	5/1949	Italy	137/505
483243	7/1953	Italy	137/505.47
501273	11/1954	Italy	137/505.46
683349	11/1952	United Kingdom	137/505.46

Primary Examiner—Ted Shooman
Assistant Examiner—C. Tuttle
Attorney, Agent, or Firm—William T. Hough, Esq.

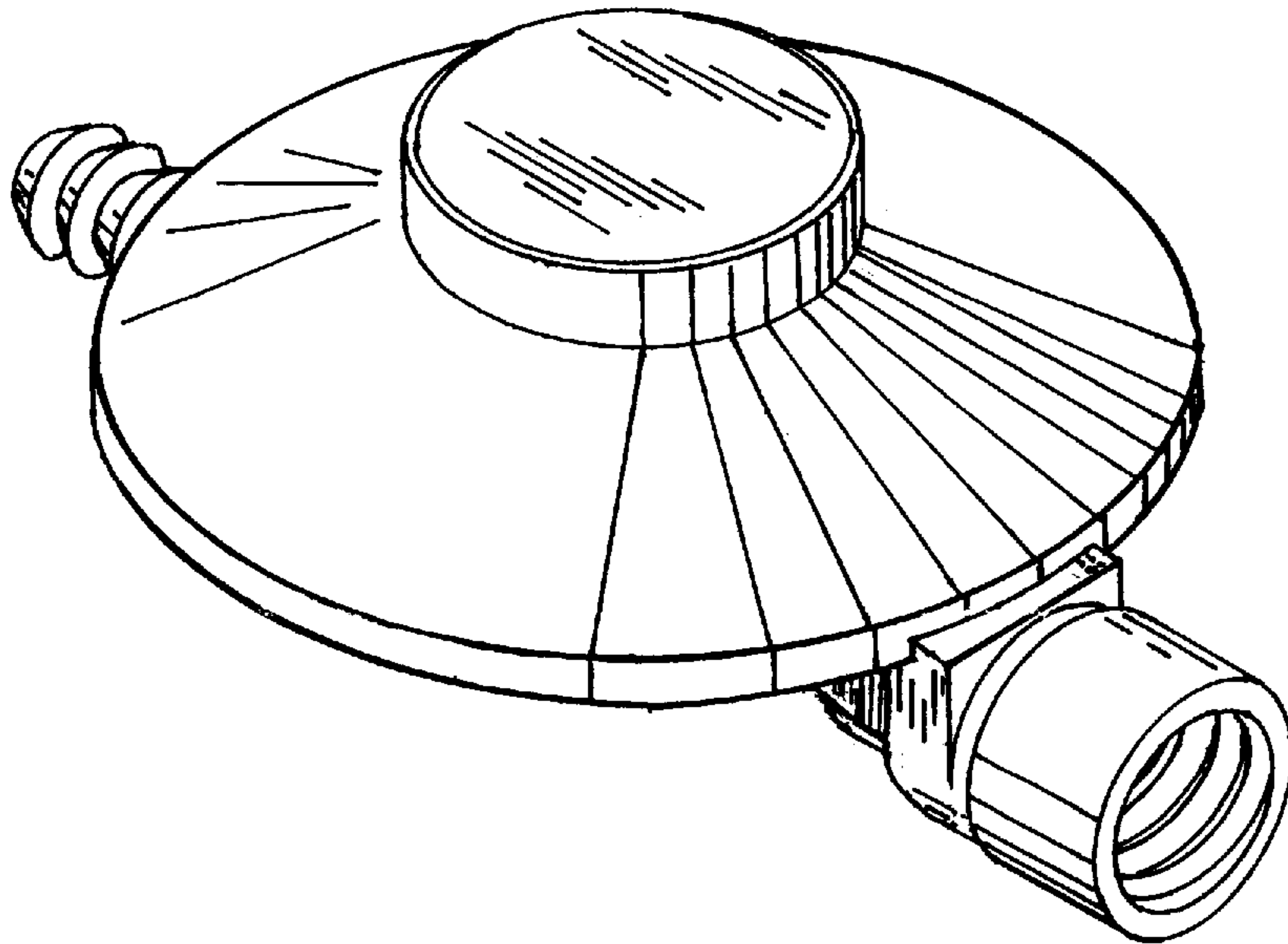
[57] **CLAIM**

The ornamental design for the gas regulator, as shown and described.

DESCRIPTION

FIG. 1 is an overhead plan view of a gas regulator embodying my design;
FIG. 2 is a right side elevational view thereof;
FIG. 3 is a bottom plan view thereof;
FIG. 4 is a front elevational view thereof;
FIG. 5 is a rear elevational view thereof; and,
FIG. 6 is an rear and lateral perspective view thereof.

1 Claim, 2 Drawing Sheets



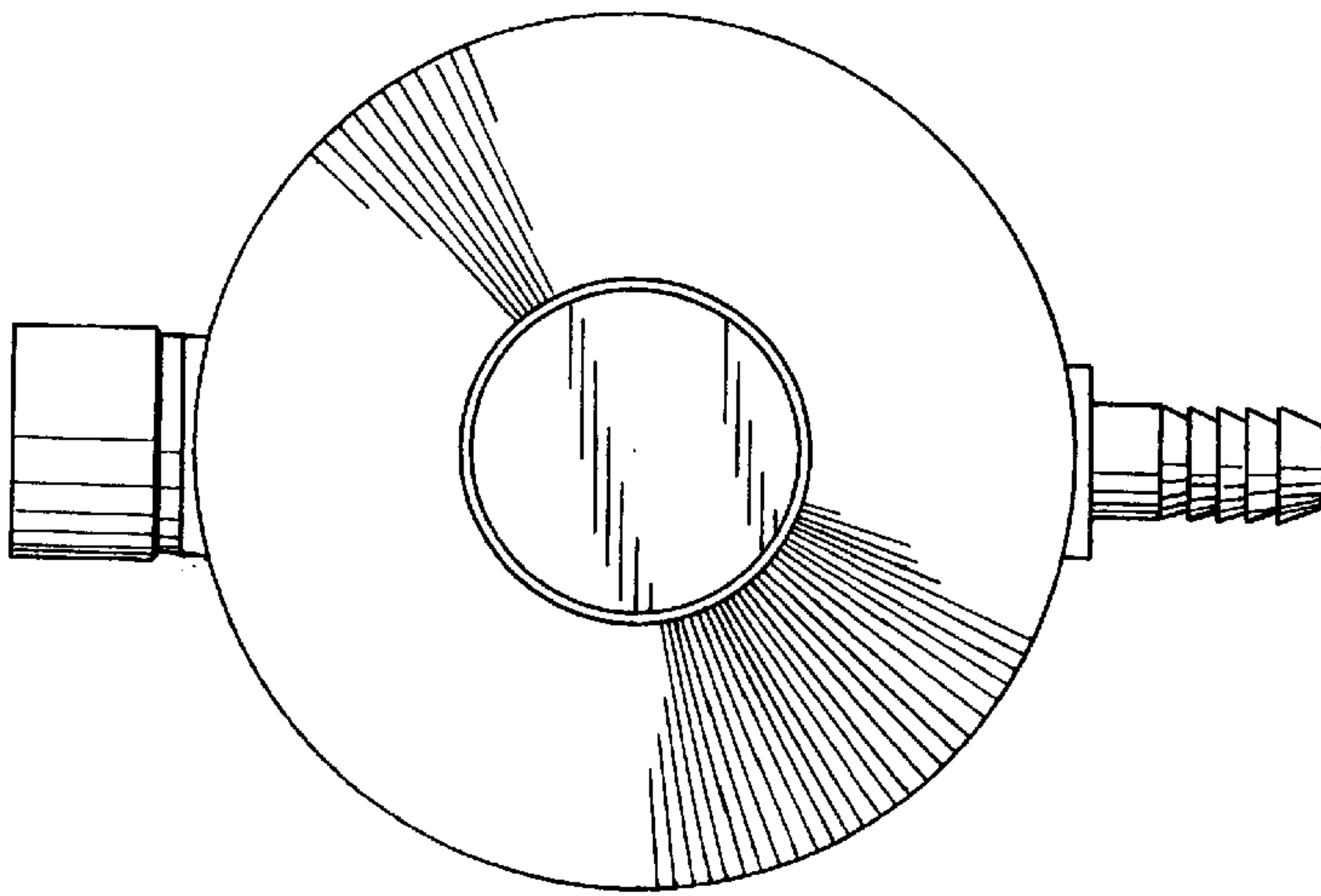


FIG. 1

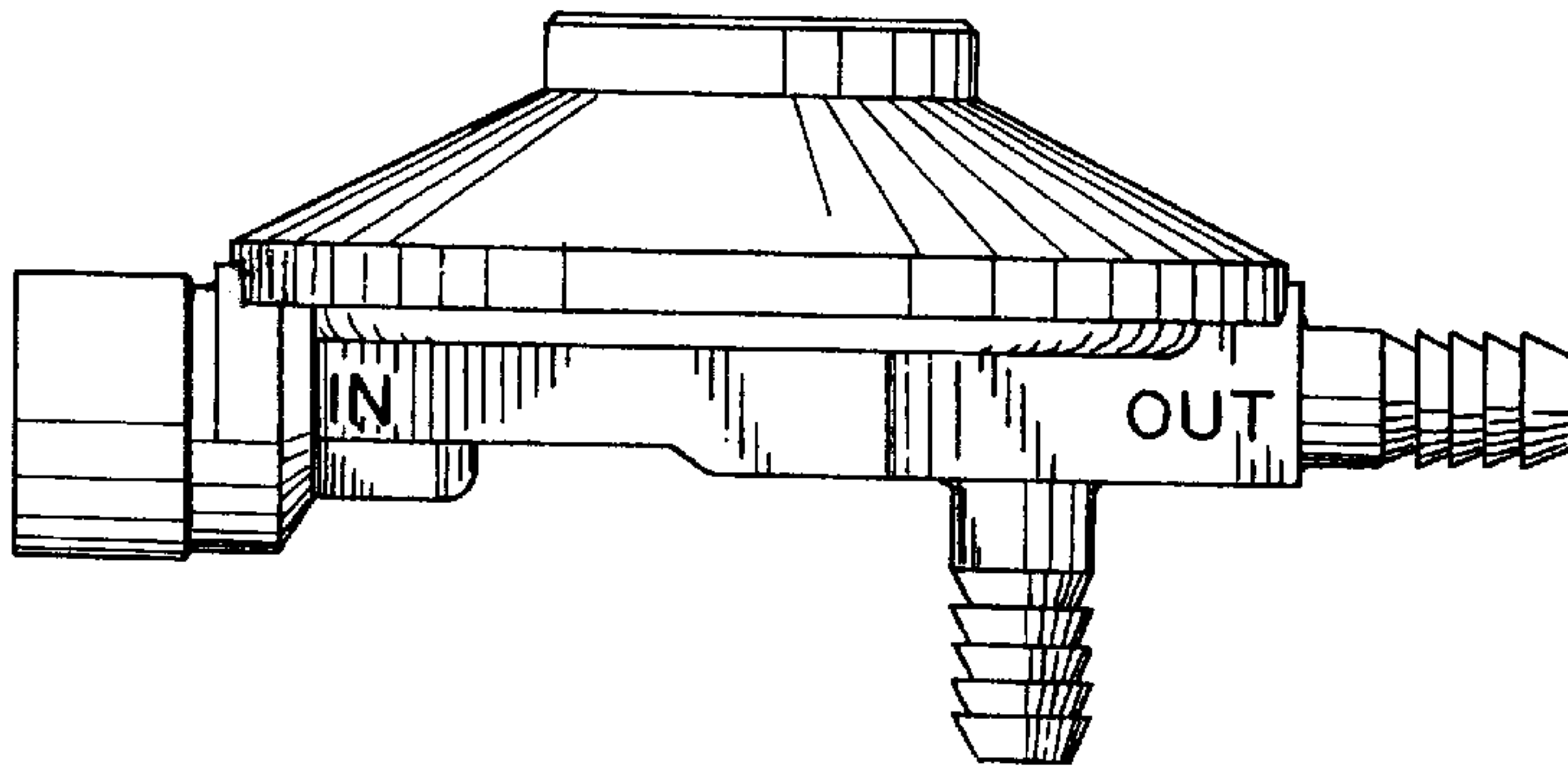


FIG. 2

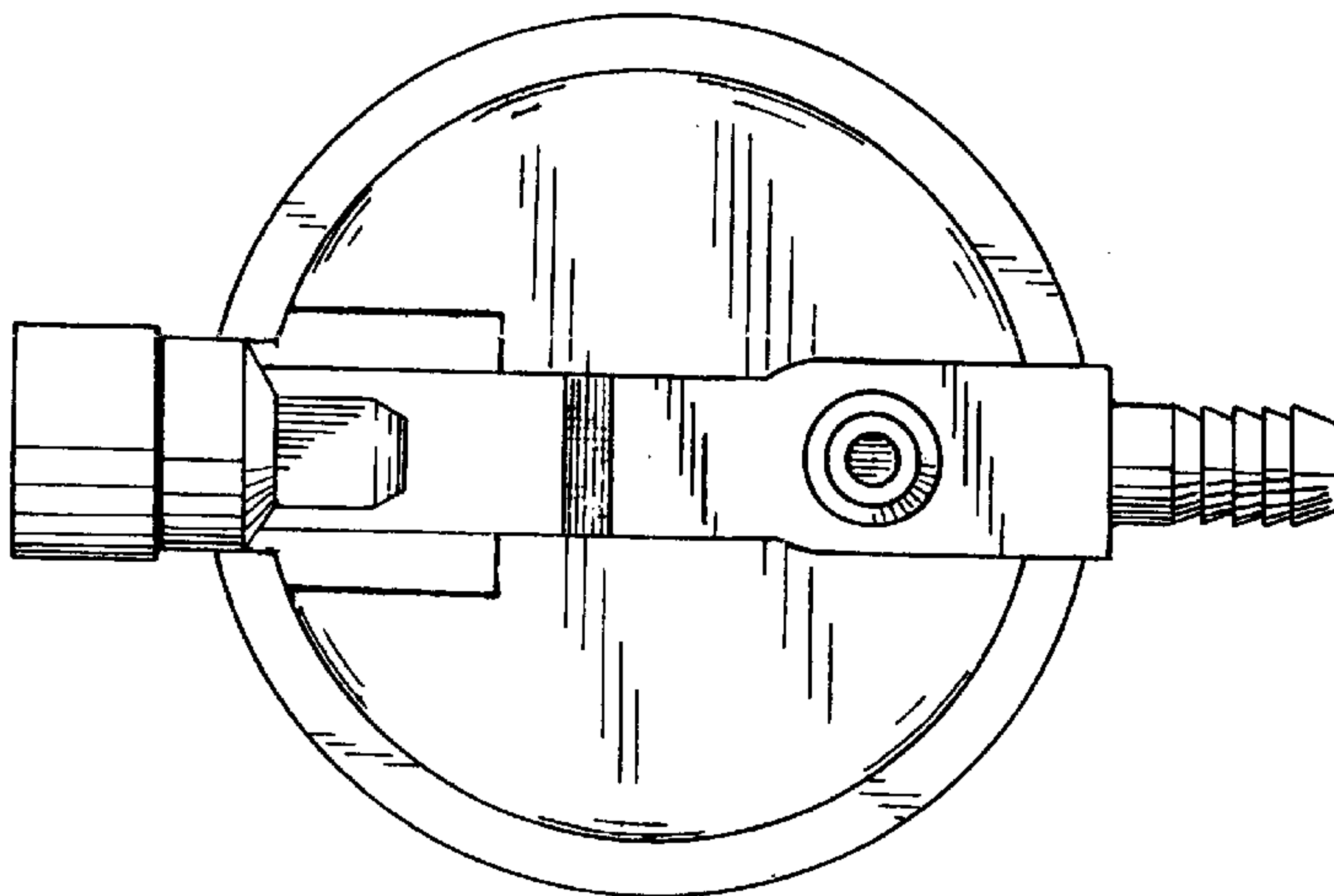


FIG. 3

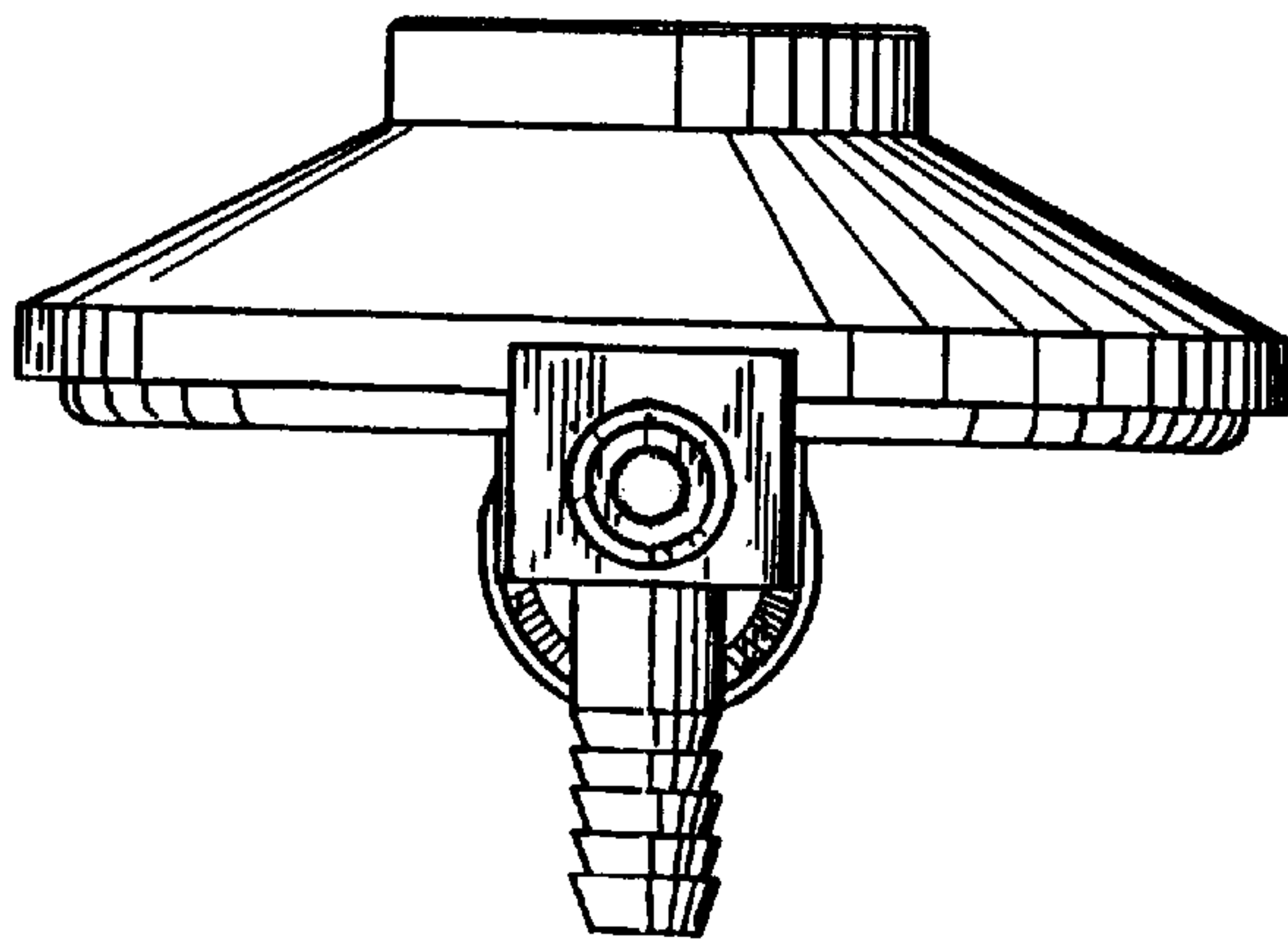


FIG. 4

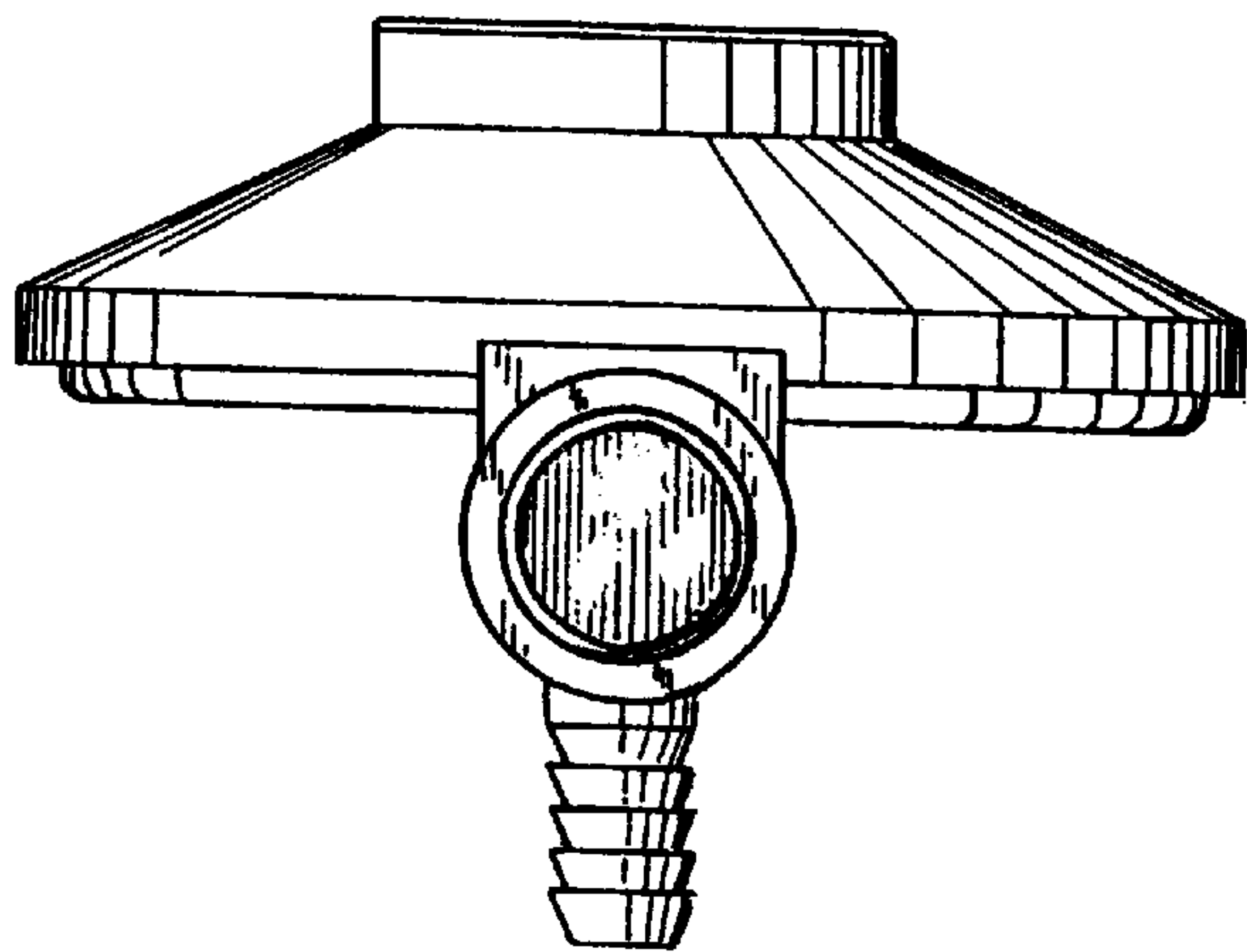


FIG. 5

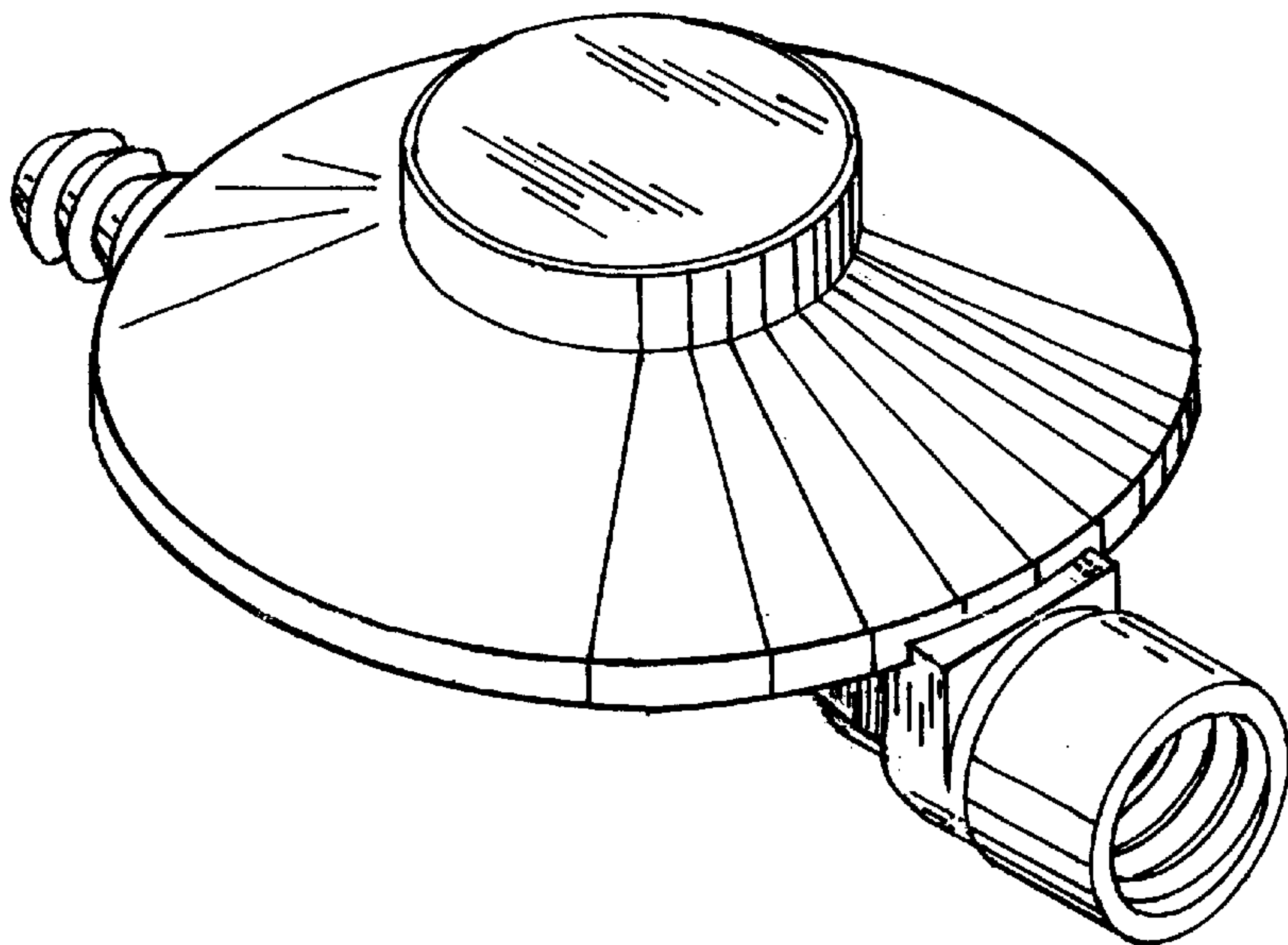


FIG. 6