



US00D403049S

United States Patent [19]
Ohtani et al.

[11] **Patent Number: Des. 403,049**
[45] **Date of Patent: **Dec. 22, 1998**

[54] **DOUBLE-SEATED CONTROL VALVE**

[57] **CLAIM**

[75] Inventors: **Hideo Ohtani; Ryoji Okutsu; Hiroshi Yamamoto; Koji Izumi**, all of Kanagawa Pref., Japan

We claim the ornamental design for a double-seated control valve, as shown and described.

[73] Assignee: **Yamatake-Honeywell Co., Ltd.**, Tokyo, Japan

DESCRIPTION

[**] Term: **14 Years**

FIG. 1 is front elevation view of the double-seated control valve;

[21] Appl. No.: **73,245**

FIG. 2 is a rear elevation view of the double-seated control valve;

[22] Filed: **Jul. 10, 1997**

[51] **LOC (6) Cl.** **23-01**

[52] **U.S. Cl.** **D23/233**

[58] **Field of Search** D23/233, 235, D23/245, 247, 248, 249; 251/329, 188; 137/556.3

FIG. 3 is a left side elevation view of the double-seated control valve;

FIG. 4 is a right side elevation view of the double seated control valve;

[56] **References Cited**

U.S. PATENT DOCUMENTS

D. 370,054	5/1996	Nakadaira et al.	D23/245
1,798,498	3/1931	Riley	251/329
2,110,859	3/1938	Goehring	251/329
3,746,302	7/1973	Larsen	251/188

FIG. 5 is a bottom plan view of the double seated control valve;

FIG. 6 is a top plan view of the double seated control valve; and,

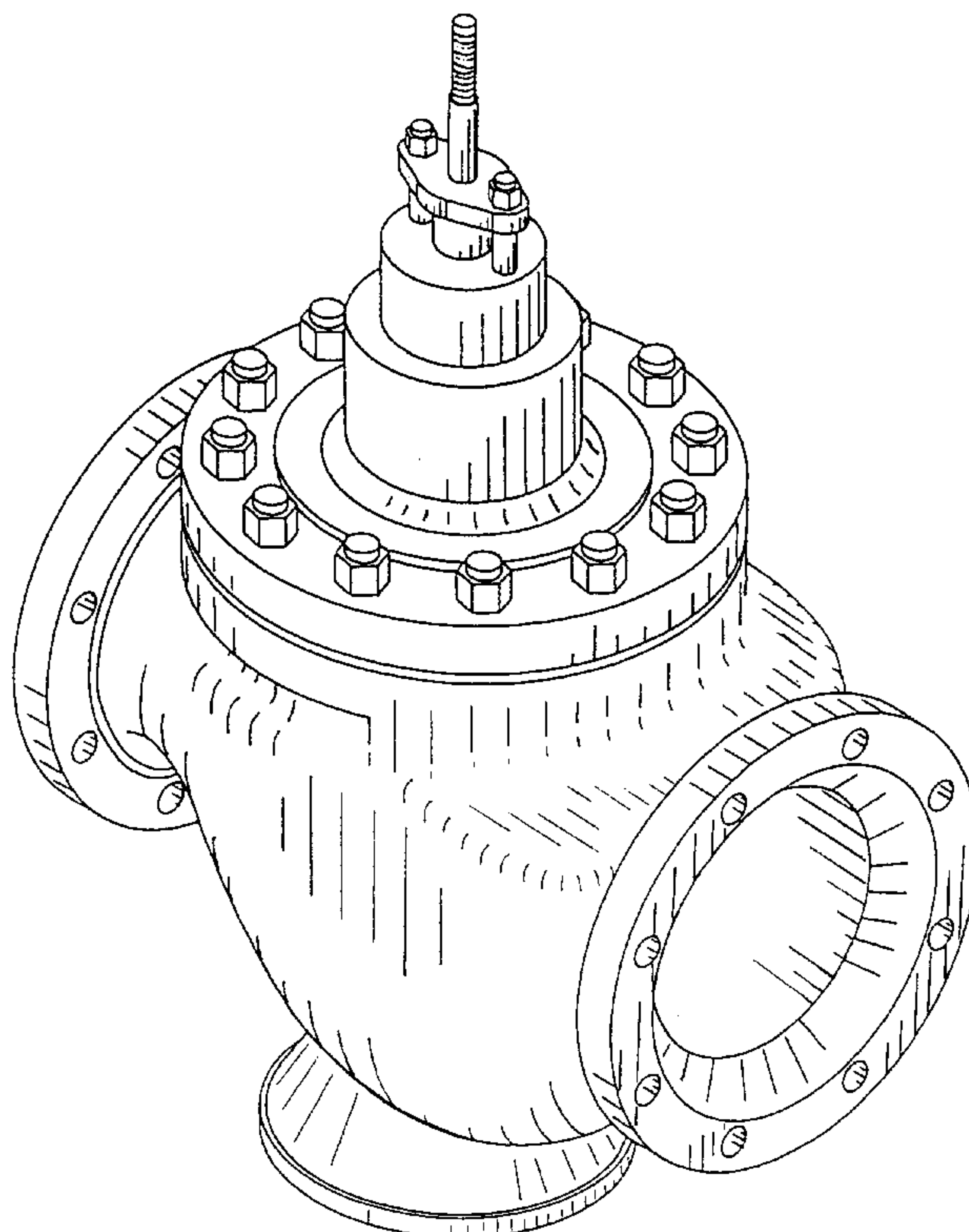
OTHER PUBLICATIONS

IOWA Heavy Pressure Valves and Valve Ends; Item #F-165, p. 26, 1960.

FIG. 7 is an isometric view of the double seated control valve.

Primary Examiner—Alan P. Douglas
Assistant Examiner—Robin V. Taylor
Attorney, Agent, or Firm—Whitham, Curtis & Whitham

1 Claim, 5 Drawing Sheets



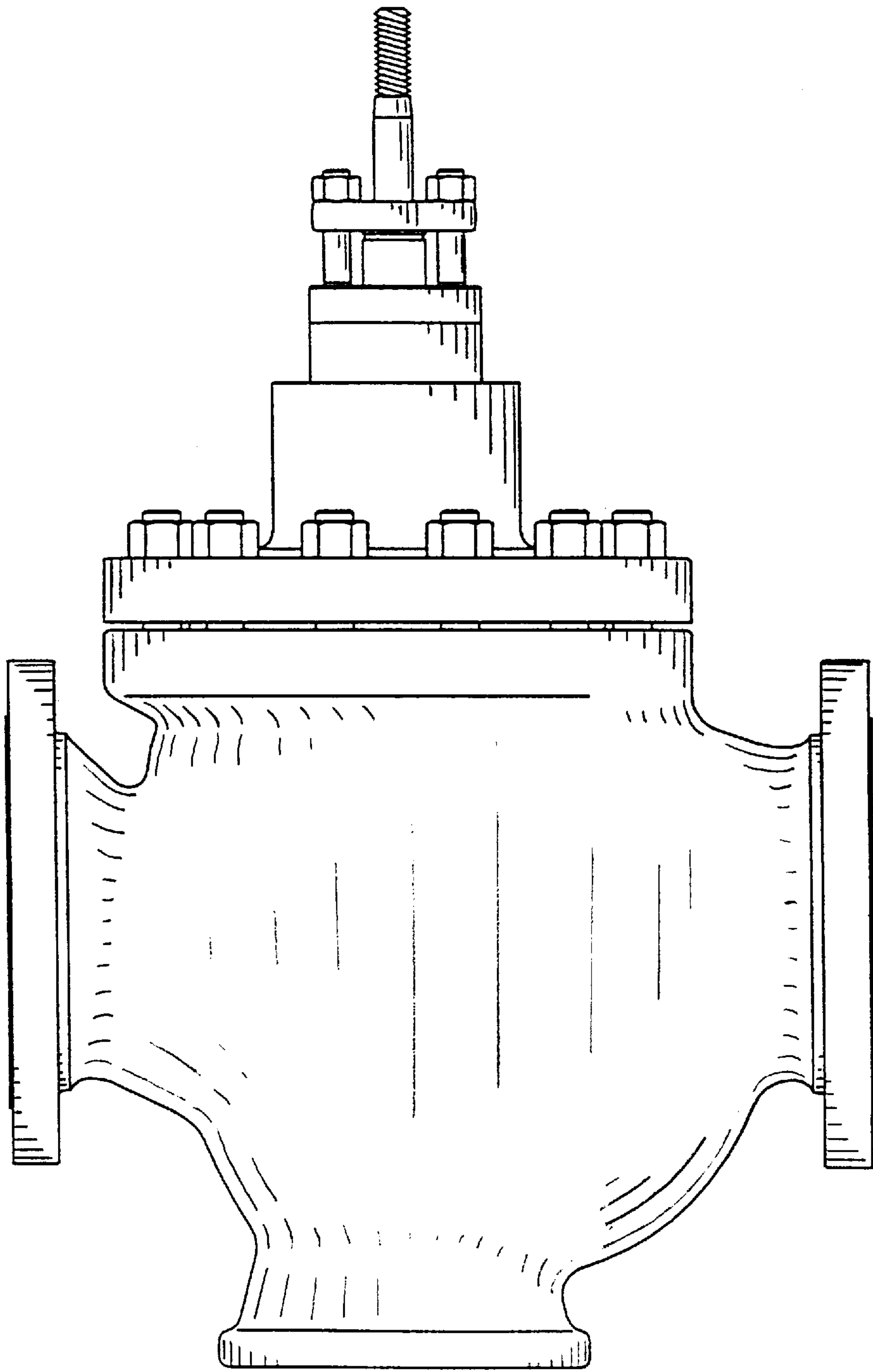


FIG. 1

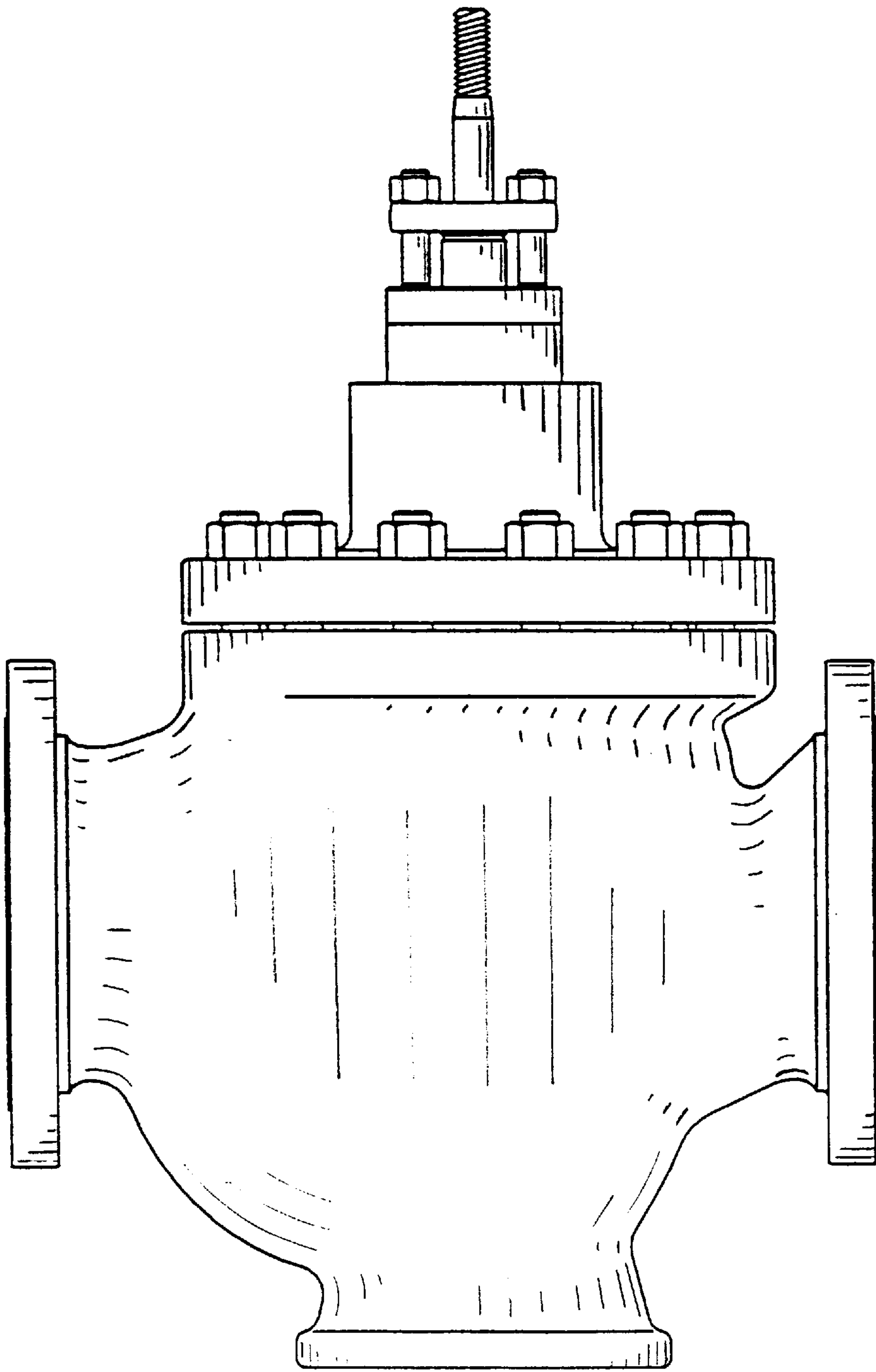


FIG. 2

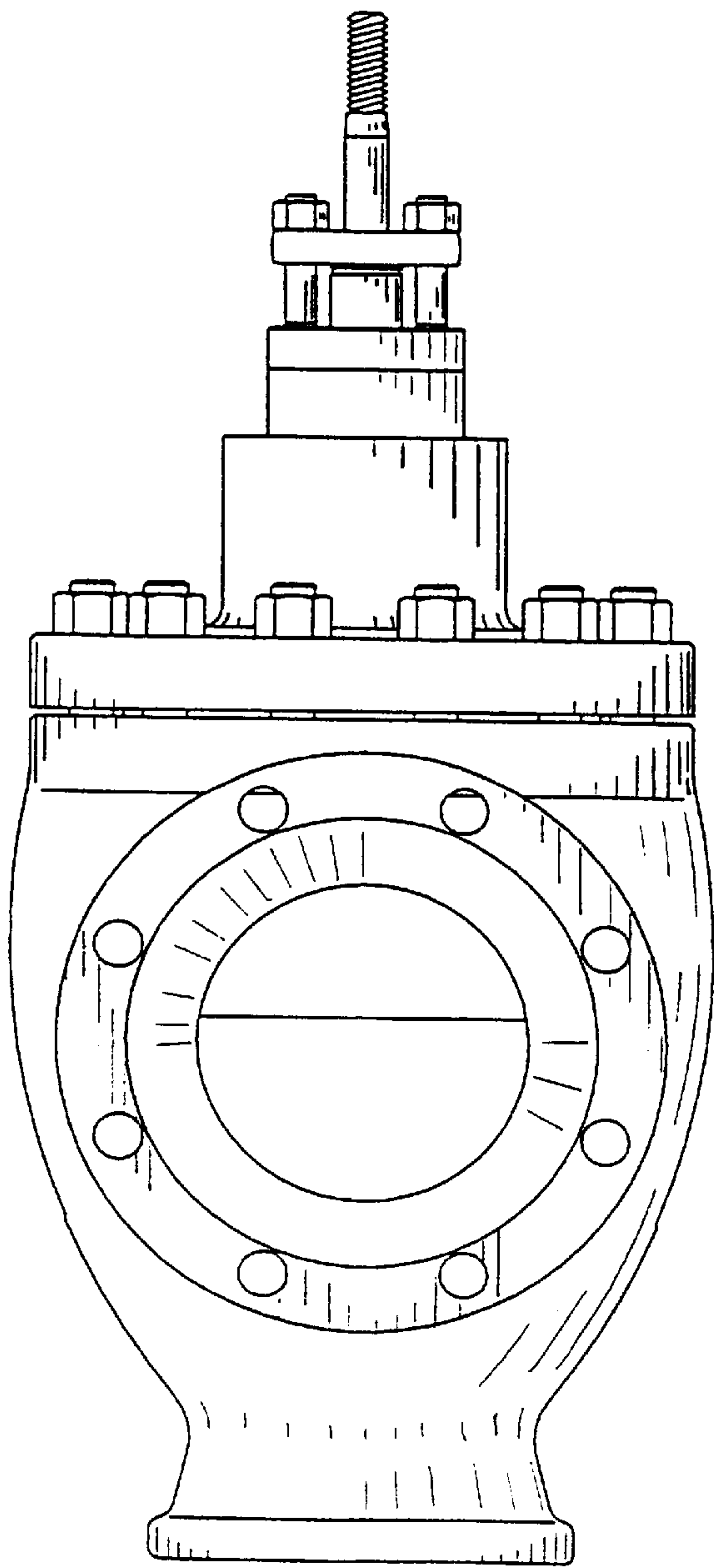


FIG.3

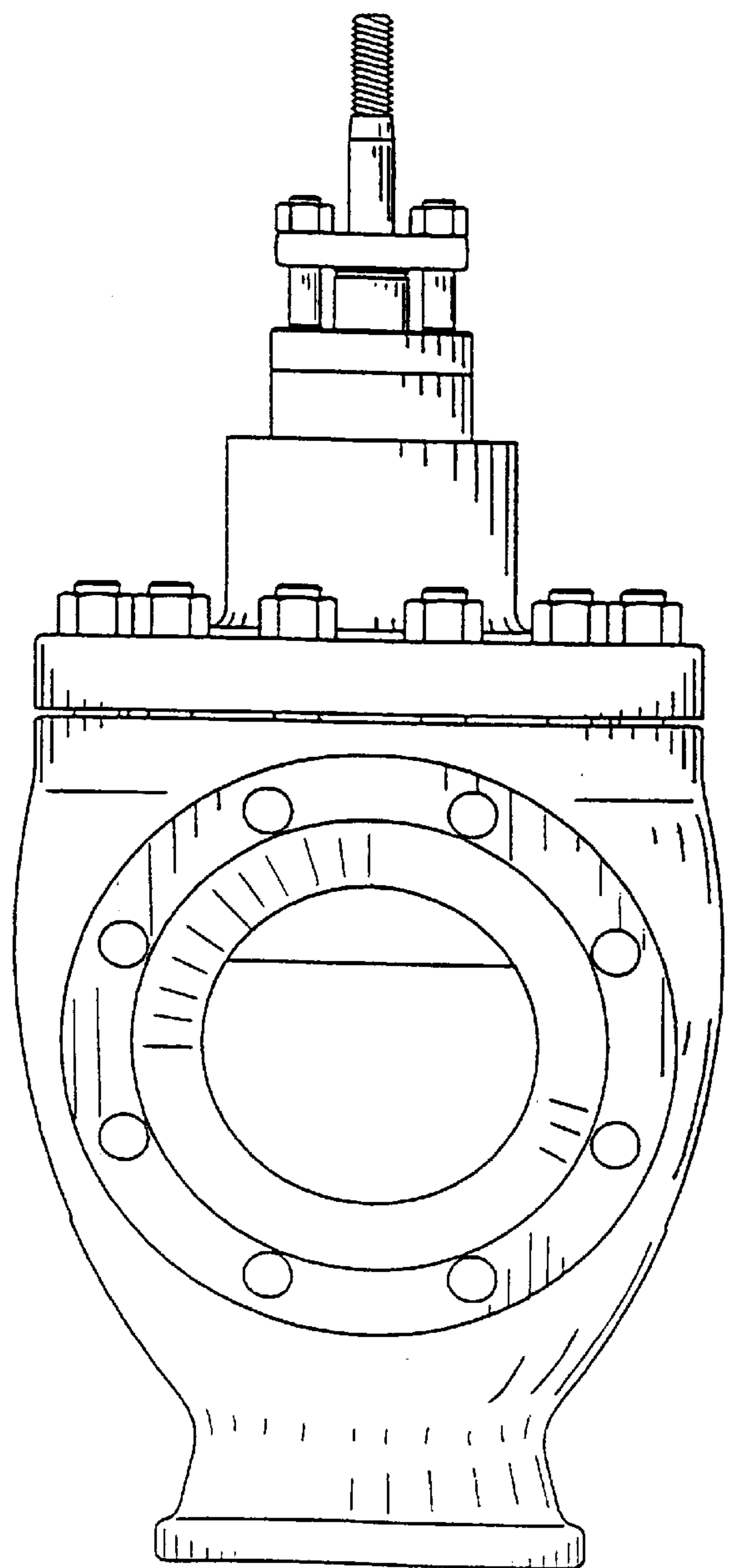


FIG.4

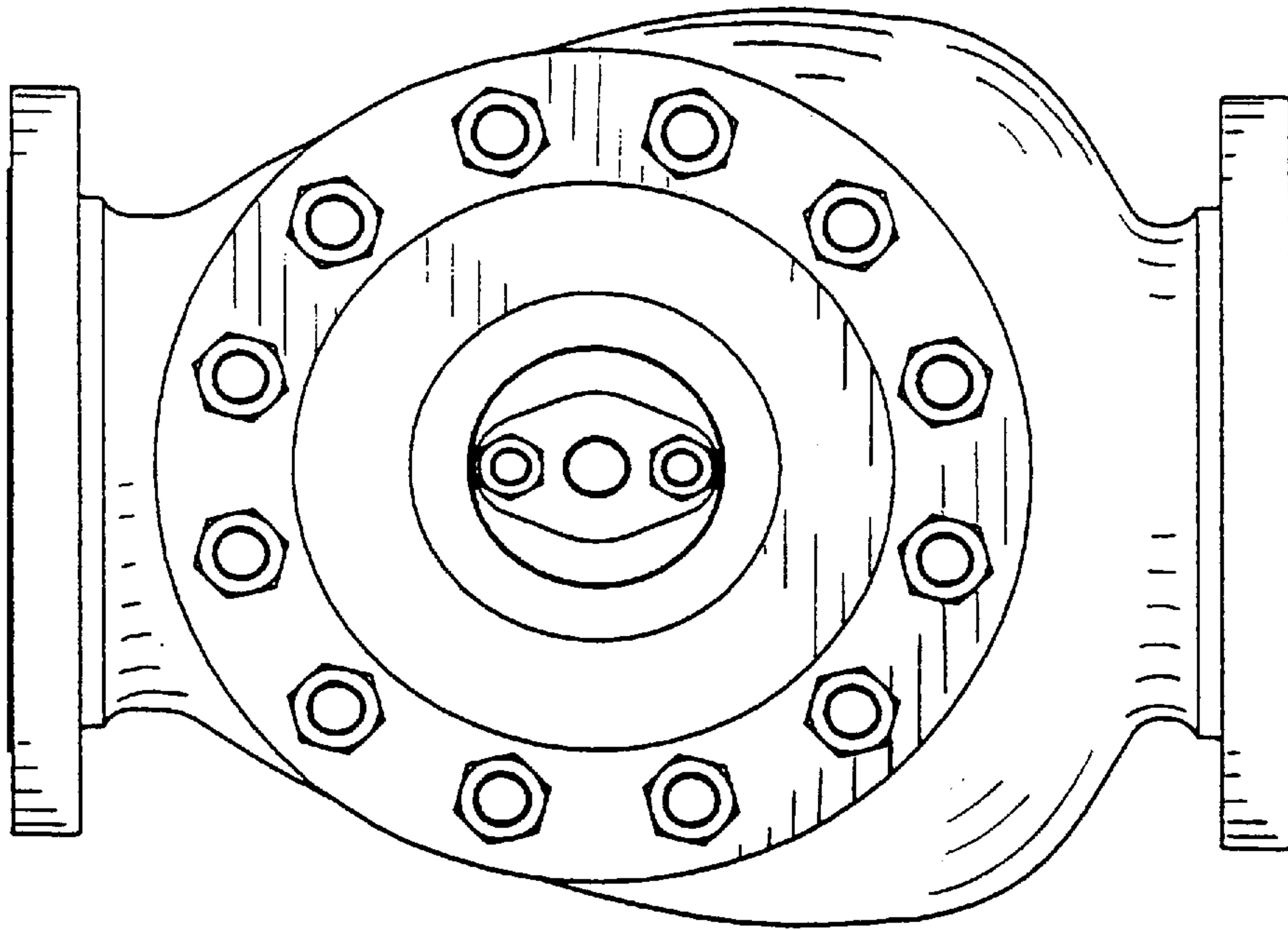


FIG.6

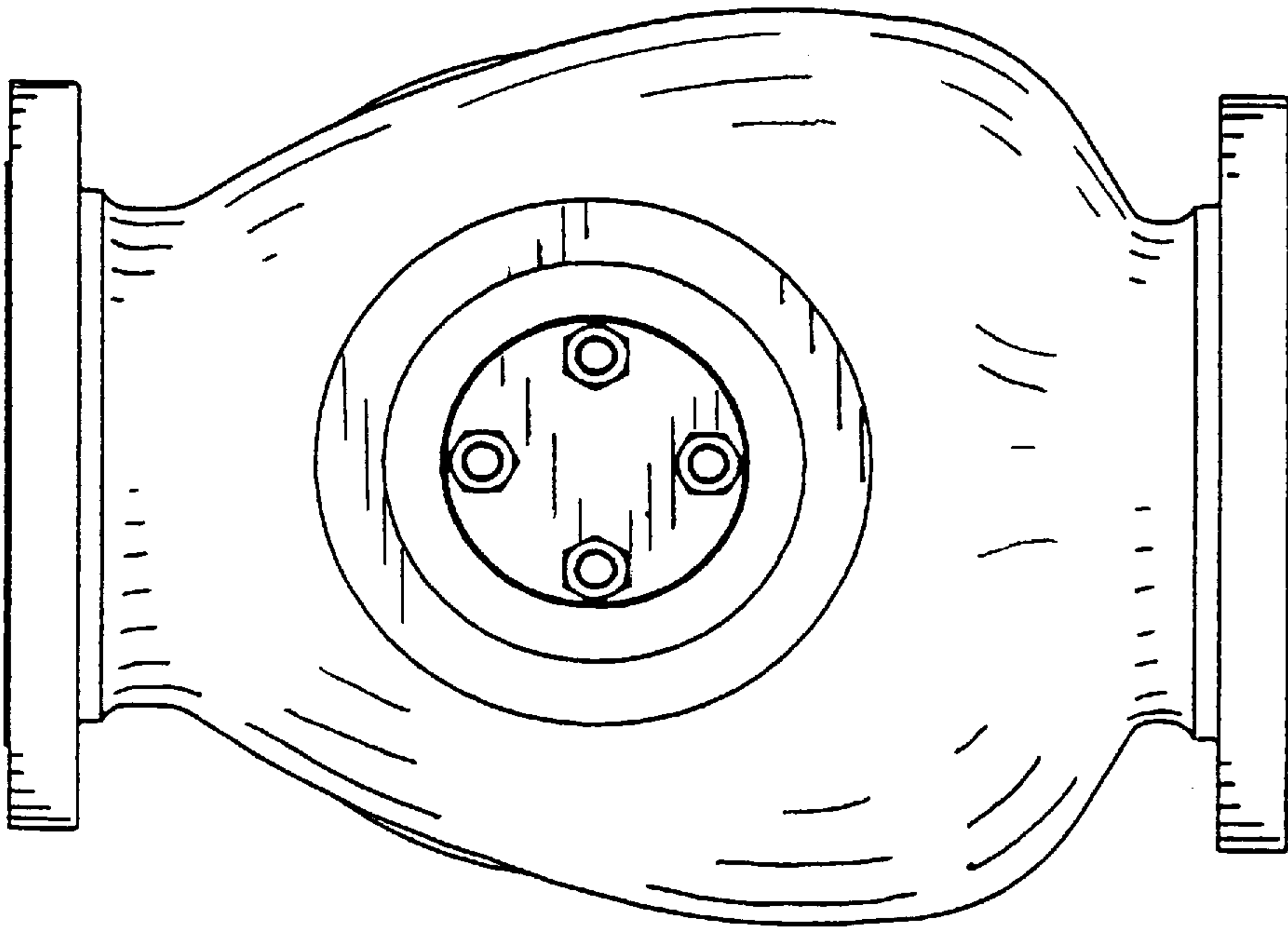


FIG.5

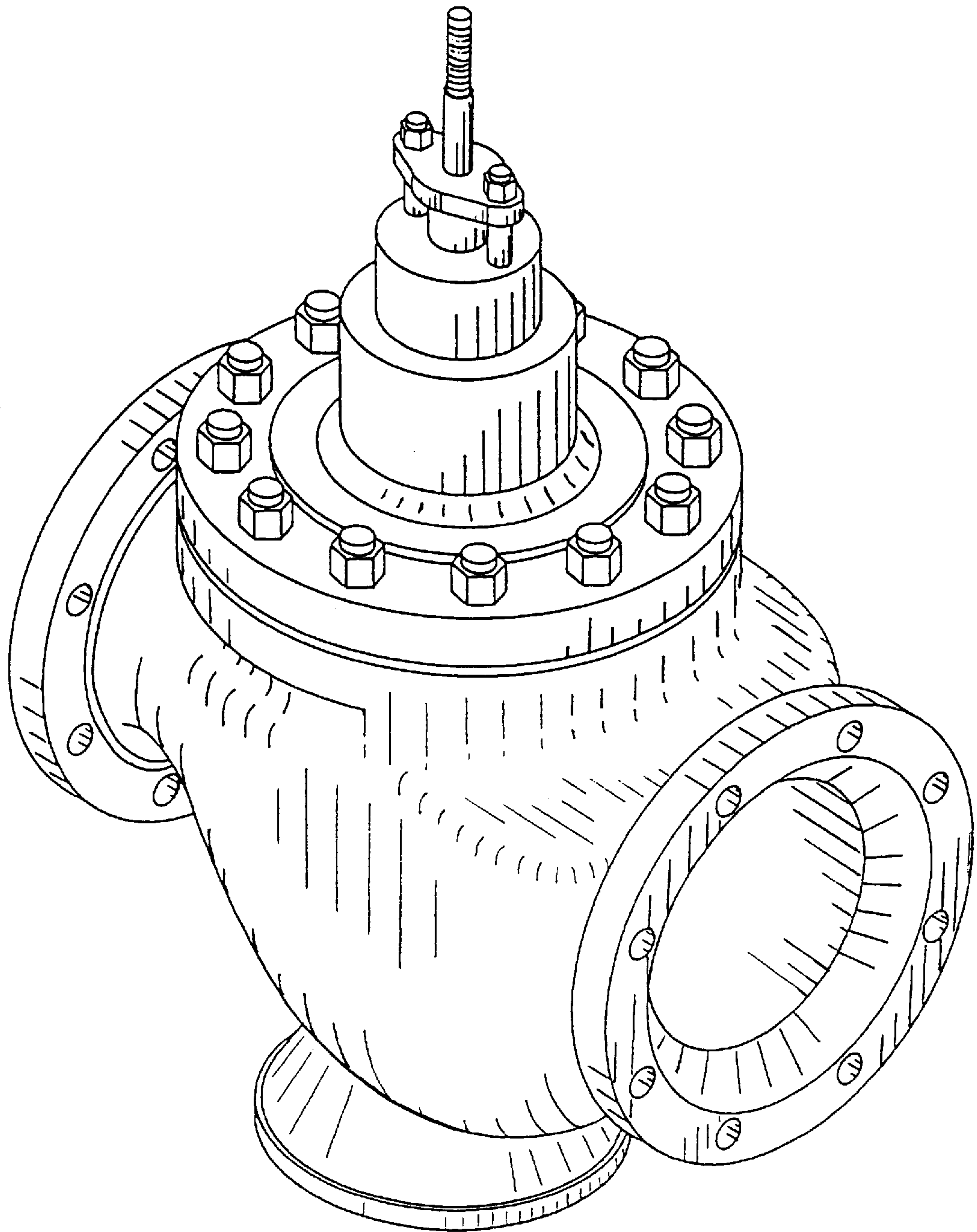


FIG. 7