



US00D403048S

United States Patent [19]

Allah

[11] Patent Number: Des. 403,048

[45] Date of Patent: **Dec. 22, 1998

[54] **SHOWER HEAD WITH TEMPERATURE DISPLAY**

[76] Inventor: **Karriem Allah**, 813 Northwest 116 Ter., Oklahoma City, Okla. 73114

[**] Term: **14 Years**

[21] Appl. No.: **82,117**

[22] Filed: **Jan. 15, 1998**

[51] **LOC (6) Cl.** **23-01**

[52] **U.S. Cl.** **D23/228; D23/213; D10/52**

[58] **Field of Search** **D23/213, 228, D23/229, 230, 459-461, 394; D10/46, 52; 374/147**

[56] **References Cited**

U.S. PATENT DOCUMENTS

D. 146,308	2/1947	Harman	D23/228
D. 155,097	9/1949	Magos et al.	D23/213
D. 188,645	8/1960	Kohler	D23/213
D. 339,406	9/1993	Rodriguez	D23/213
2,579,150	12/1951	Leopold et al.	374/147
5,076,709	12/1991	Tognotti	374/147
5,160,197	11/1992	Klose	374/147

Primary Examiner—Alan P. Douglas
Assistant Examiner—Robin V. Taylor

[57] **CLAIM**

The ornamental design for a shower head with temperature display, as shown.

DESCRIPTION

FIG. 1 is a front elevational view of the shower head with temperature display of the present invention;

FIG. 2 is a back elevational view of the shower head with temperature display of FIG. 1;

FIG. 3 is a left side elevational view of the shower head with temperature display of FIG. 1;

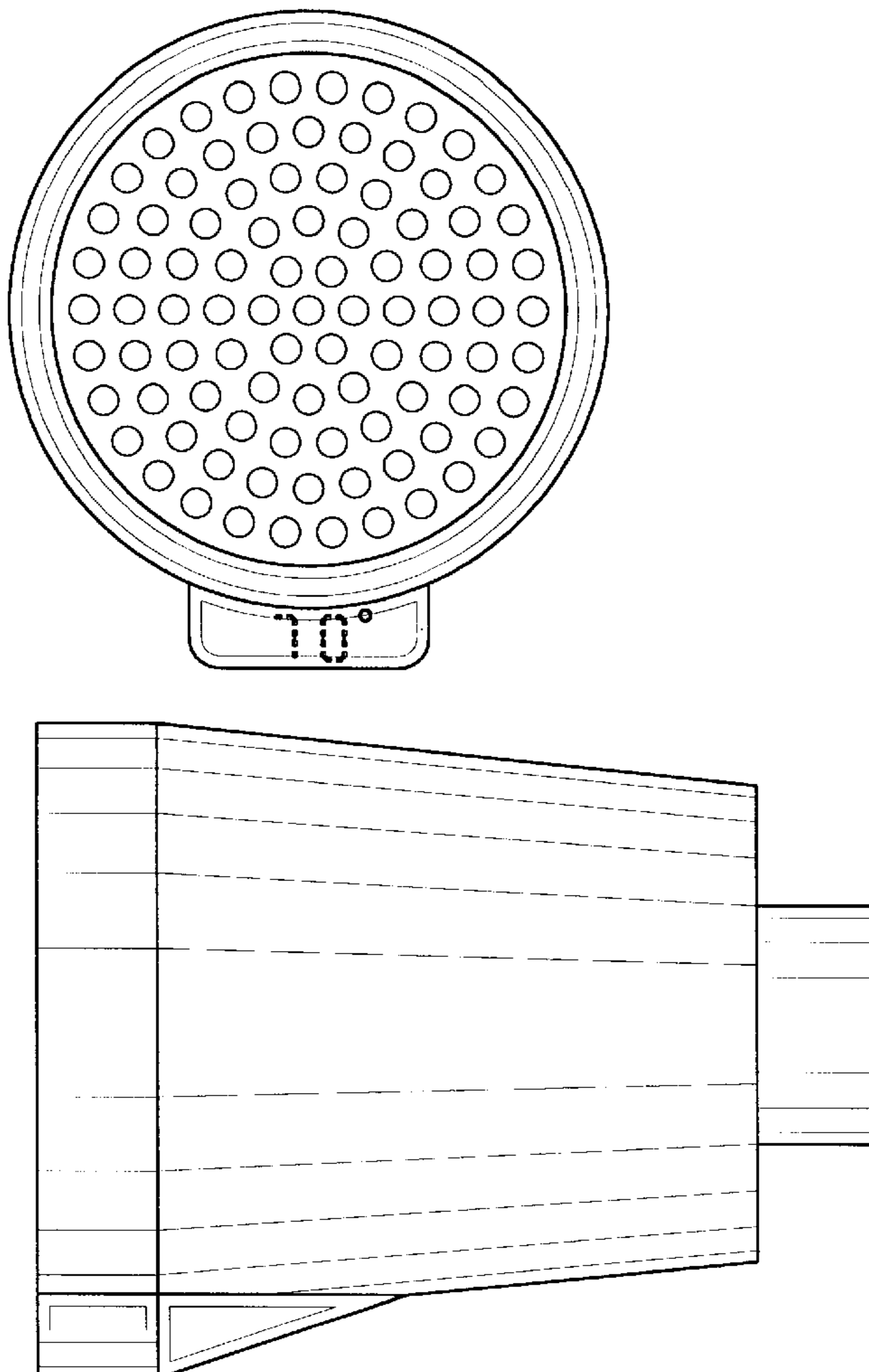
FIG. 4 is a right side elevational view of the shower head with temperature display of FIG. 1;

FIG. 5 is a top plan view of the shower head with temperature display of FIG. 1; and,

FIG. 6 is a bottom plan view of the shower head with temperature display of FIG. 1.

The broken line showing of digits in the FIG. 1 view is for illustrative purposes only and forms no part of the claimed design.

1 Claim, 3 Drawing Sheets



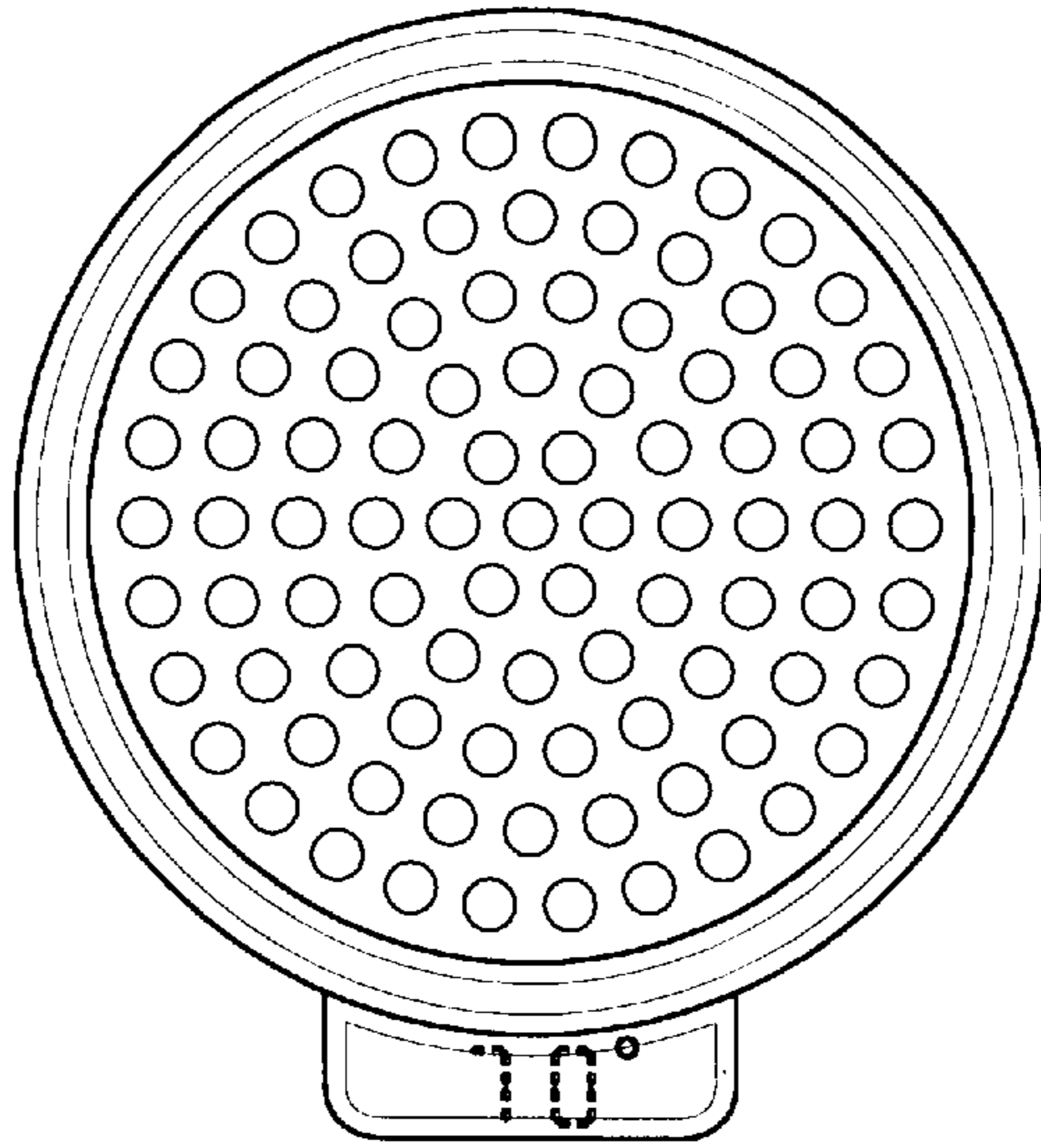


Fig. 1

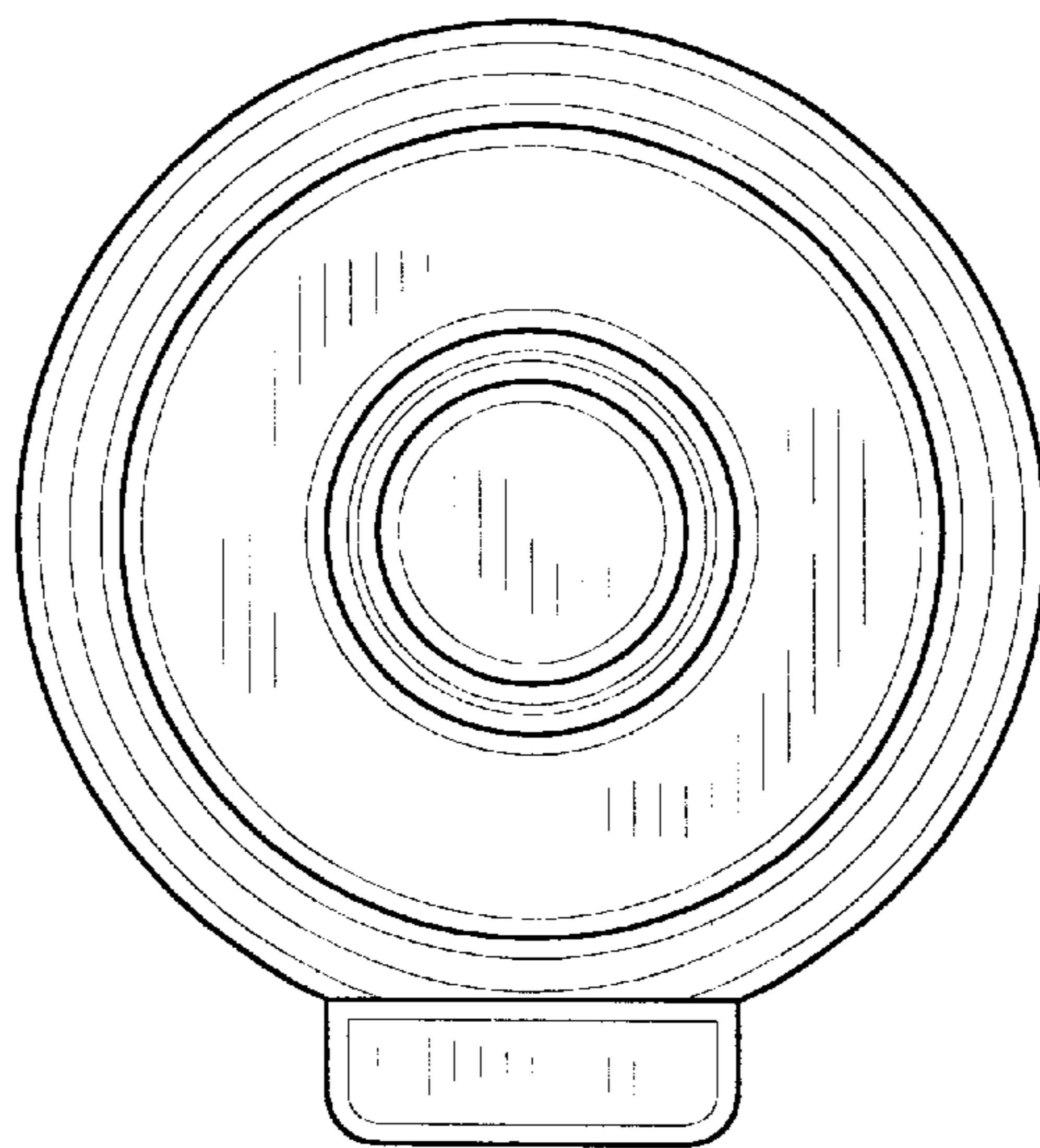


Fig. 2

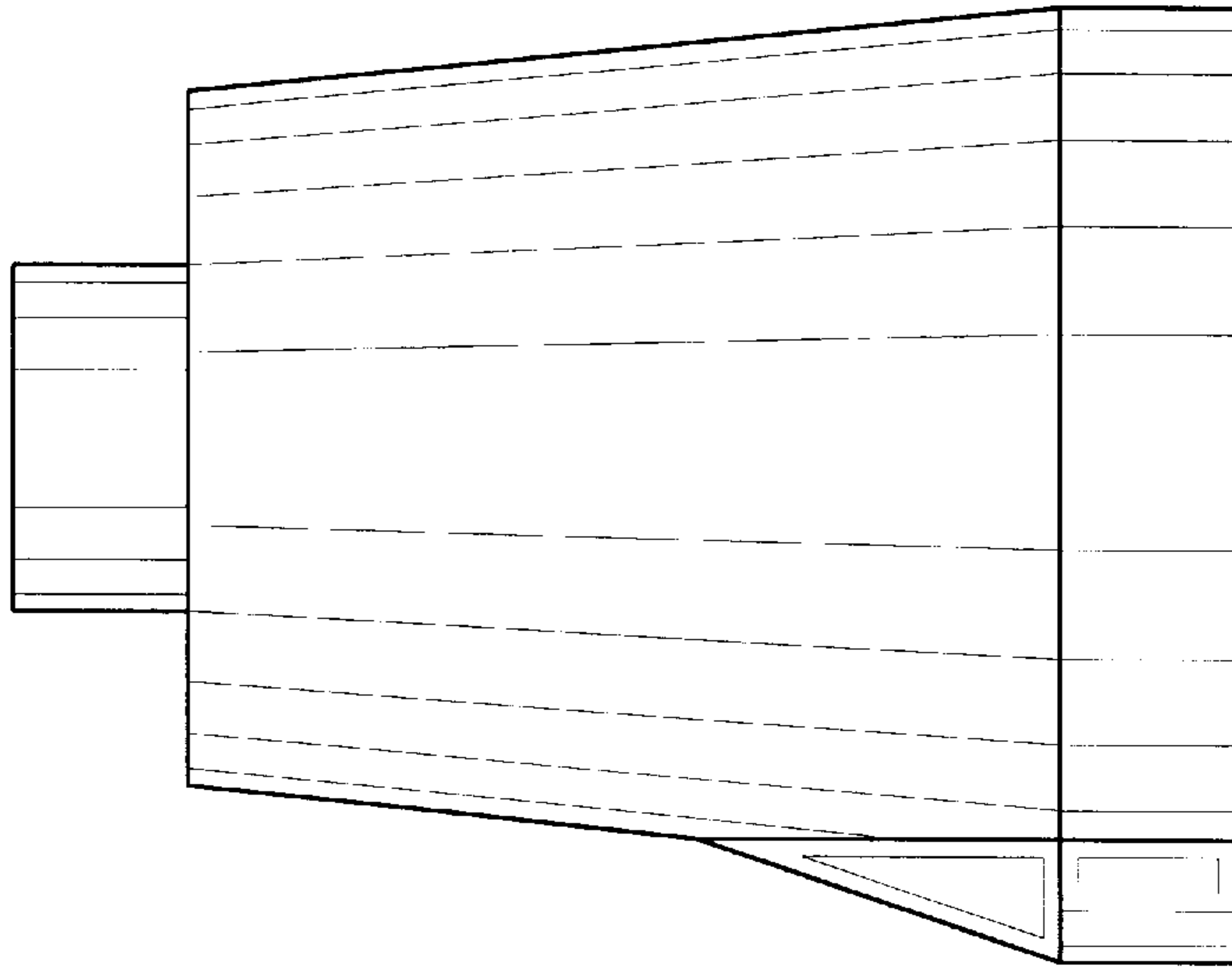


Fig. 3

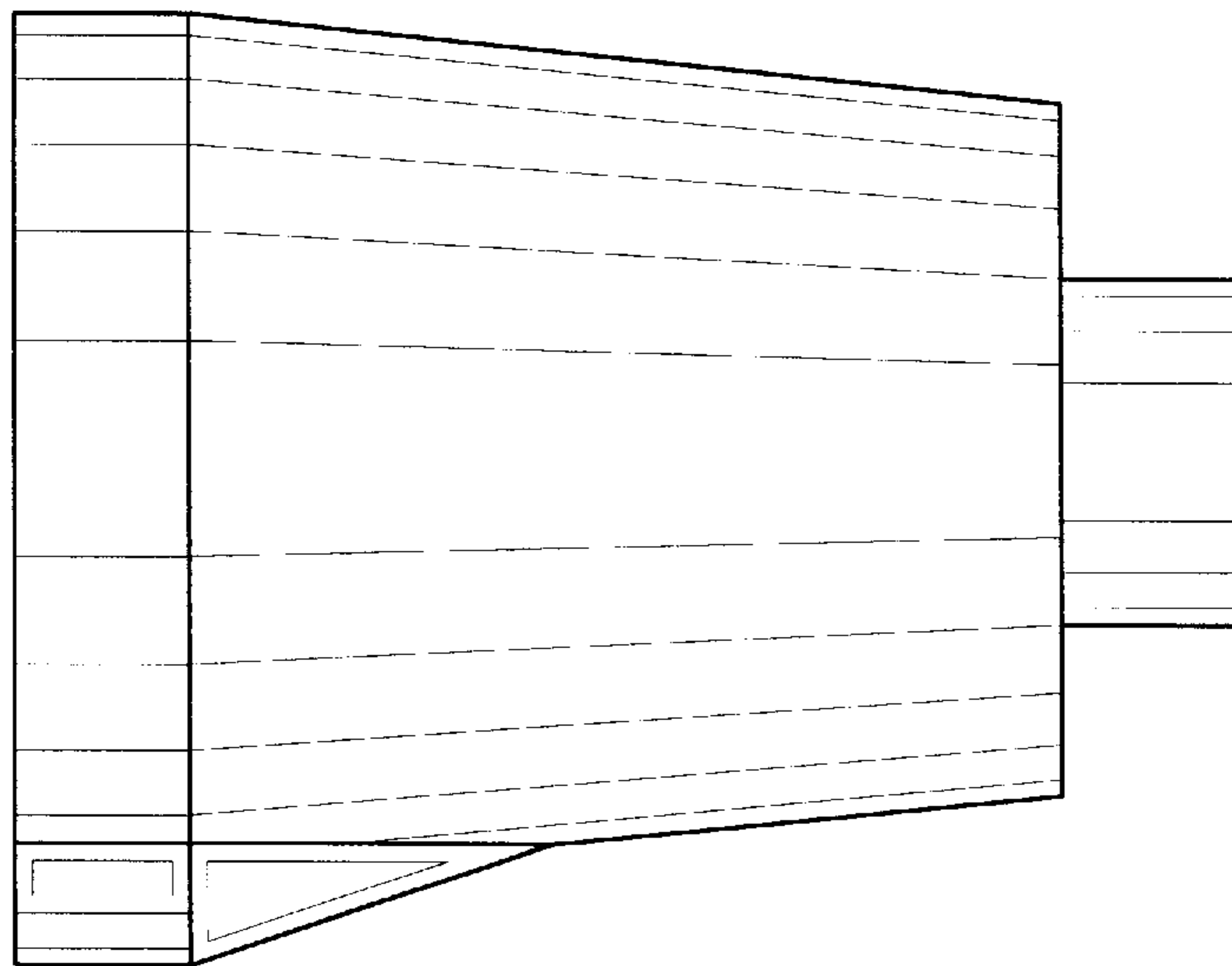


Fig. 4

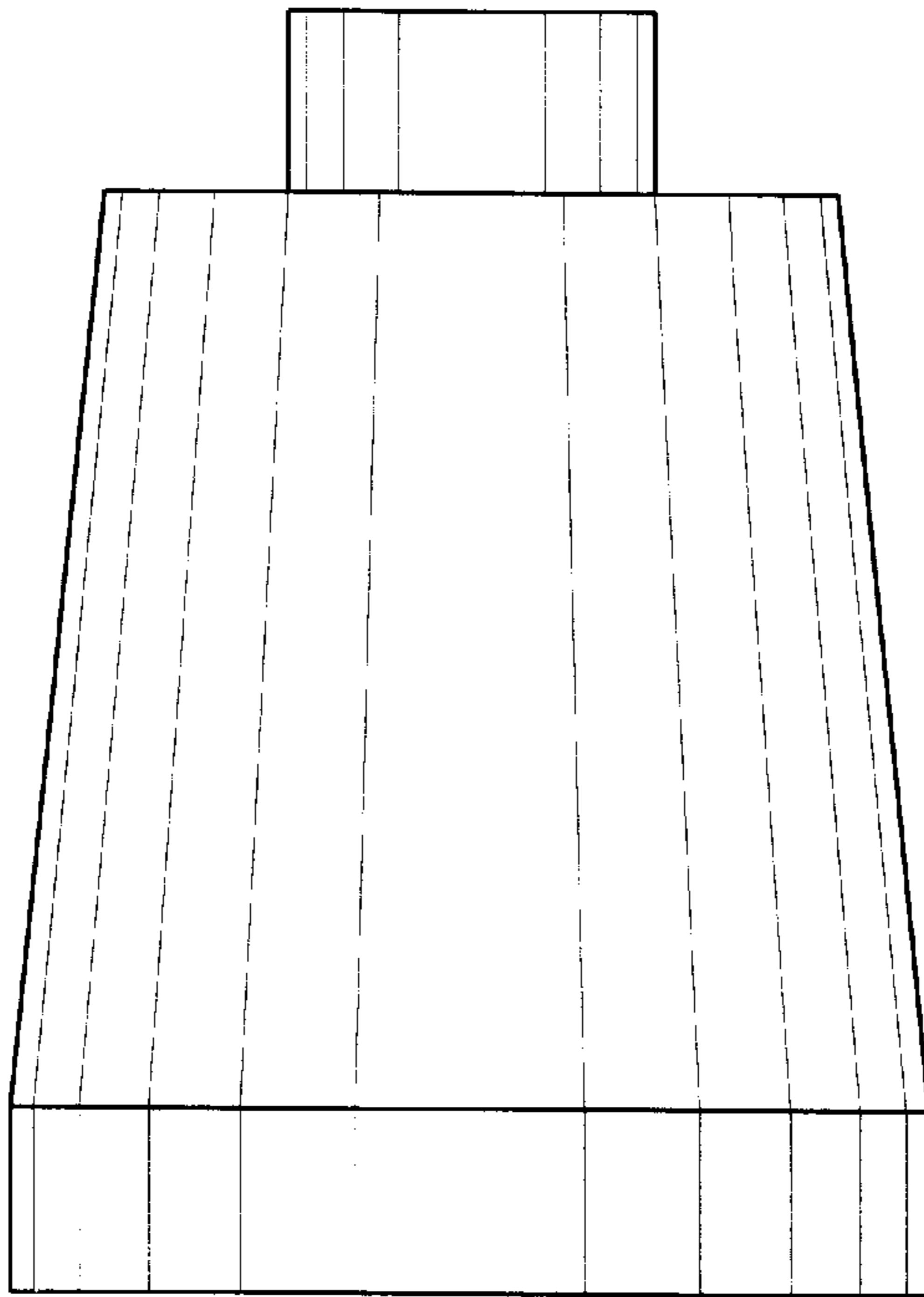


Fig. 5

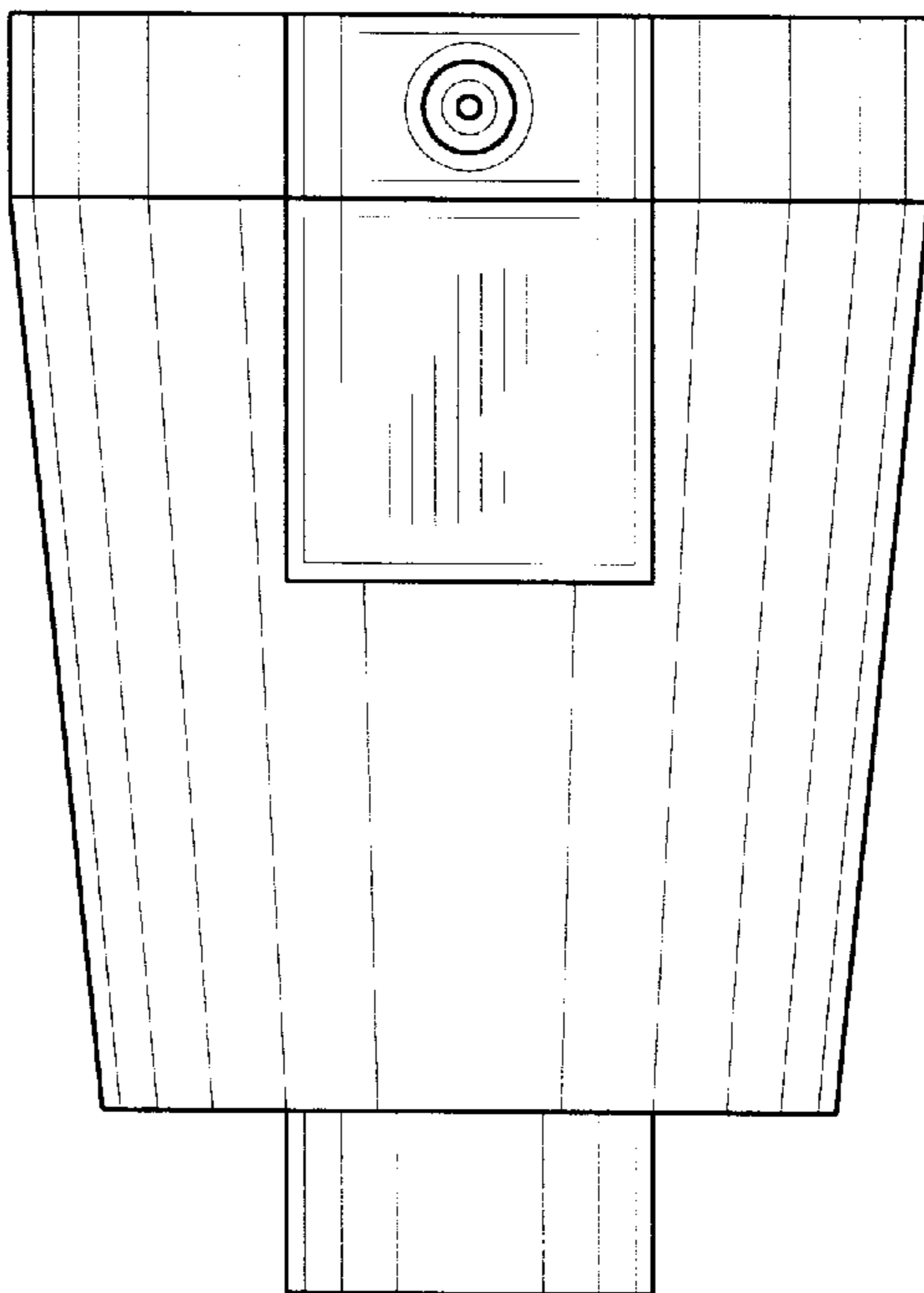


Fig. 6