



US00D403040S

United States Patent [19]
Koutsouflakis

[11] **Patent Number: Des. 403,040**

[45] **Date of Patent: **Dec. 22, 1998**

[54] **SUPPORT STAND FOR PLAYGROUND GLOBE**

[75] Inventor: **Simone Koutsouflakis**, Farmington, Mo.

[73] Assignee: **Rubbermaid Incorporated**, Wooster, Ohio

[**] Term: **14 Years**

[21] Appl. No.: **79,655**

[22] Filed: **Nov. 21, 1997**

[51] **LOC (6) Cl.** **21-03**

[52] **U.S. Cl.** **D21/811**

[58] **Field of Search** D21/811, 826,
D21/827; D19/61; 472/35, 36; 434/143,
136; D6/449, 455, 465

Catalog page, Support stand; SMP (Playgrounds) Ltd., Pound Road, Chertsey, Surrey KT16 8EJ, England. Publication date 1989.

P. 10, Support stand; SMP (Playgrounds) Ltd., Pound Road, Chertsey, Surrey KT16 8EJ, England. Publication date 1989.

P. 79, Support stands; Miracle Recreation Equipment Company, P. O. Box 420, Monett, Missouri 65708. Publication date 1995.

P. 76, Support stands; GameTime, Inc., P. O. Box 121, Fort Payne, Alabama 35967. Publication date 1995.

Primary Examiner—Ted Shooman

Assistant Examiner—Mitchell I. Siegel

Attorney, Agent, or Firm—Richard B. O’Planick

[57] **CLAIM**

The ornamental design for a support stand for playground globe, as shown and described.

[56] **References Cited**

U.S. PATENT DOCUMENTS

D. 209,596	12/1967	Hubel	D21/811
D. 215,946	11/1969	Wormser	D21/811
D. 219,600	12/1970	Reichl	D21/811
D. 351,208	10/1994	Delaney et al.	D21/811
D. 376,818	12/1996	Graham et al.	D19/61
1,916,809	7/1933	Patterson	473/35
4,761,138	8/1988	Niesyn	434/143

OTHER PUBLICATIONS

Pp. 8, 10 and 12, Support stands; Spherical Concepts, Inc., P. O. Box 1215, Twelve Davis Avenue, Frazer, Pennsylvania 19355. Publication date 1994.

DESCRIPTION

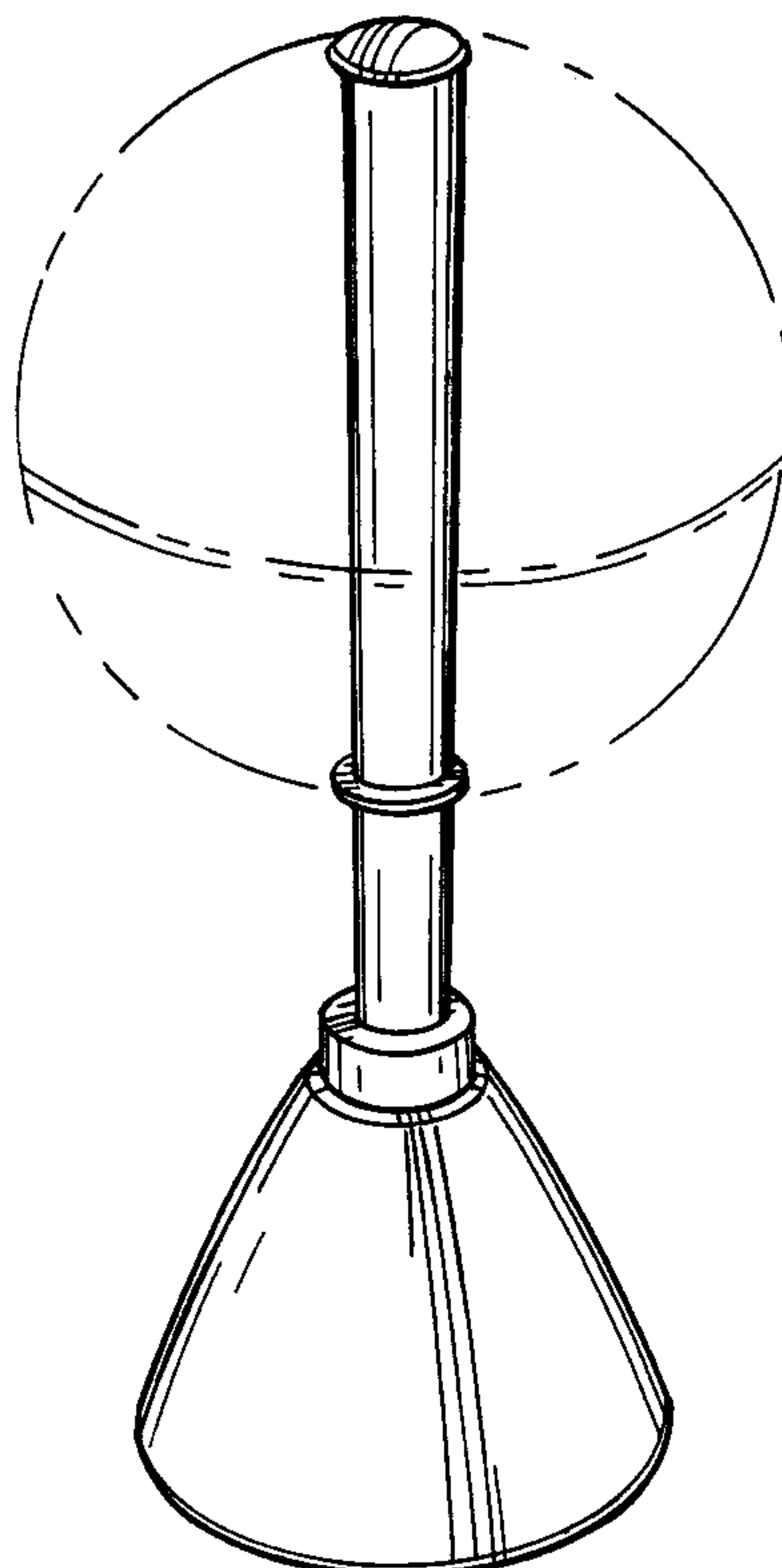
FIG. 1 is a top front perspective view of a support stand for playground globe showing my new design; the broken lines showing a globe is for illustrative purposes only and form no part of the claimed design;

FIG. 2 is a front elevational view thereof; the rear elevational, right side elevational and left side elevational views being identical;

FIG. 3 is a top plan view thereof; and,

FIG. 4 is a bottom plan view thereof.

1 Claim, 1 Drawing Sheet



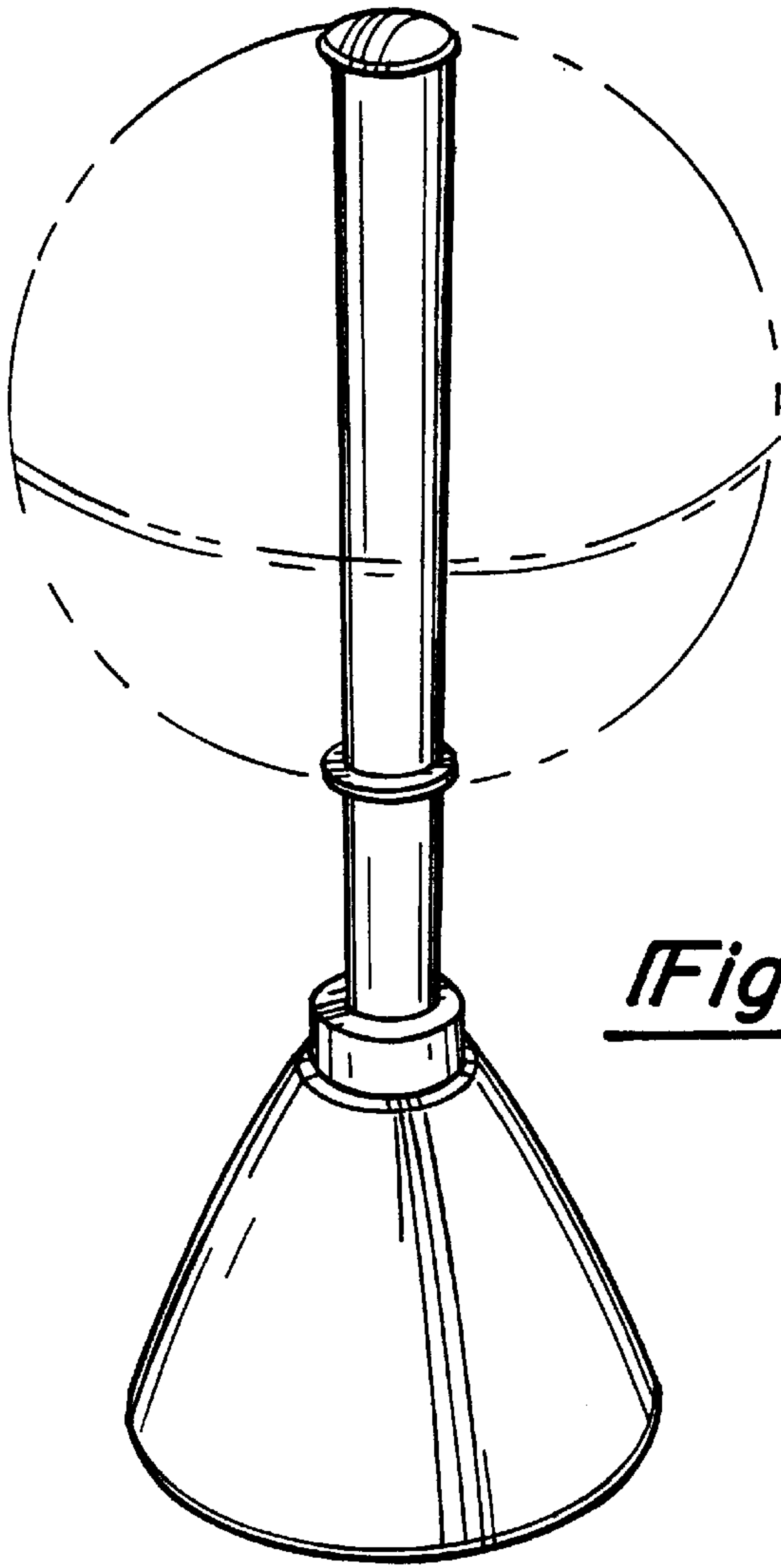


Fig-1

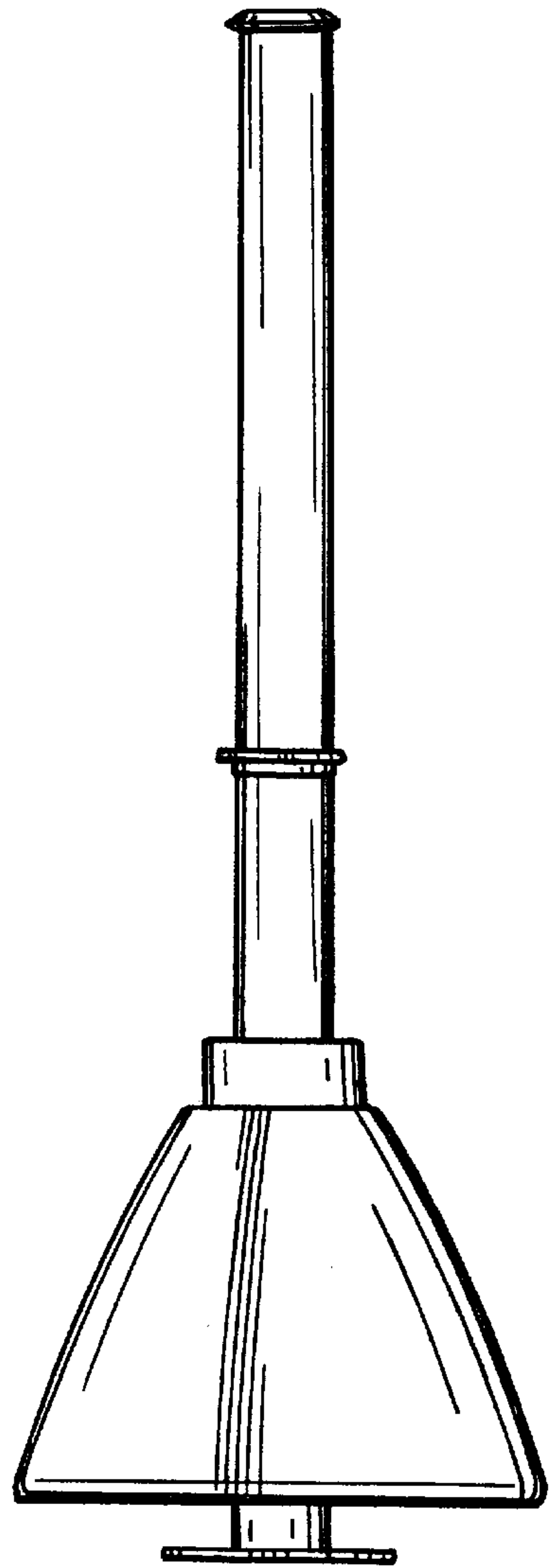


Fig-2

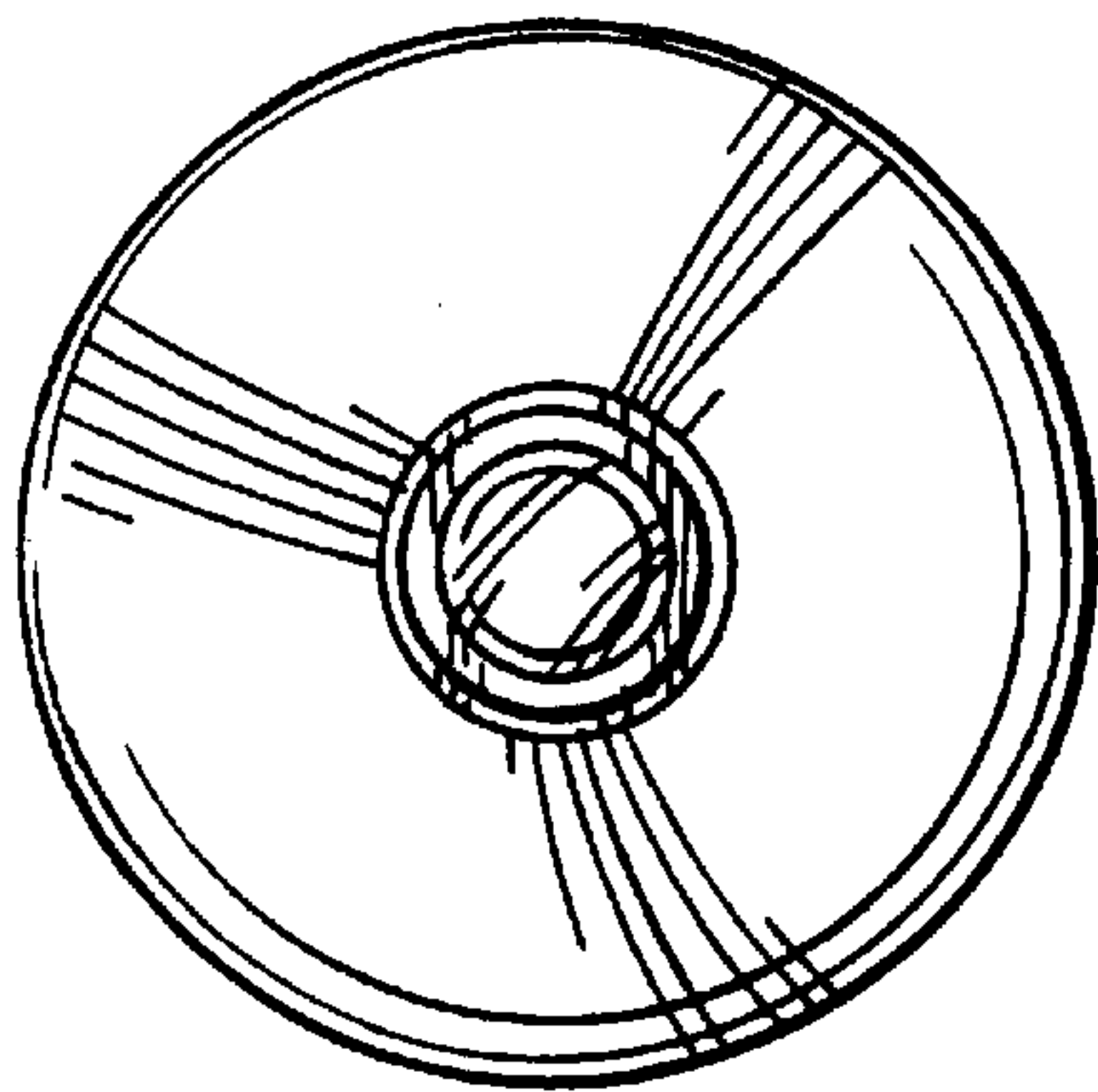


Fig-3

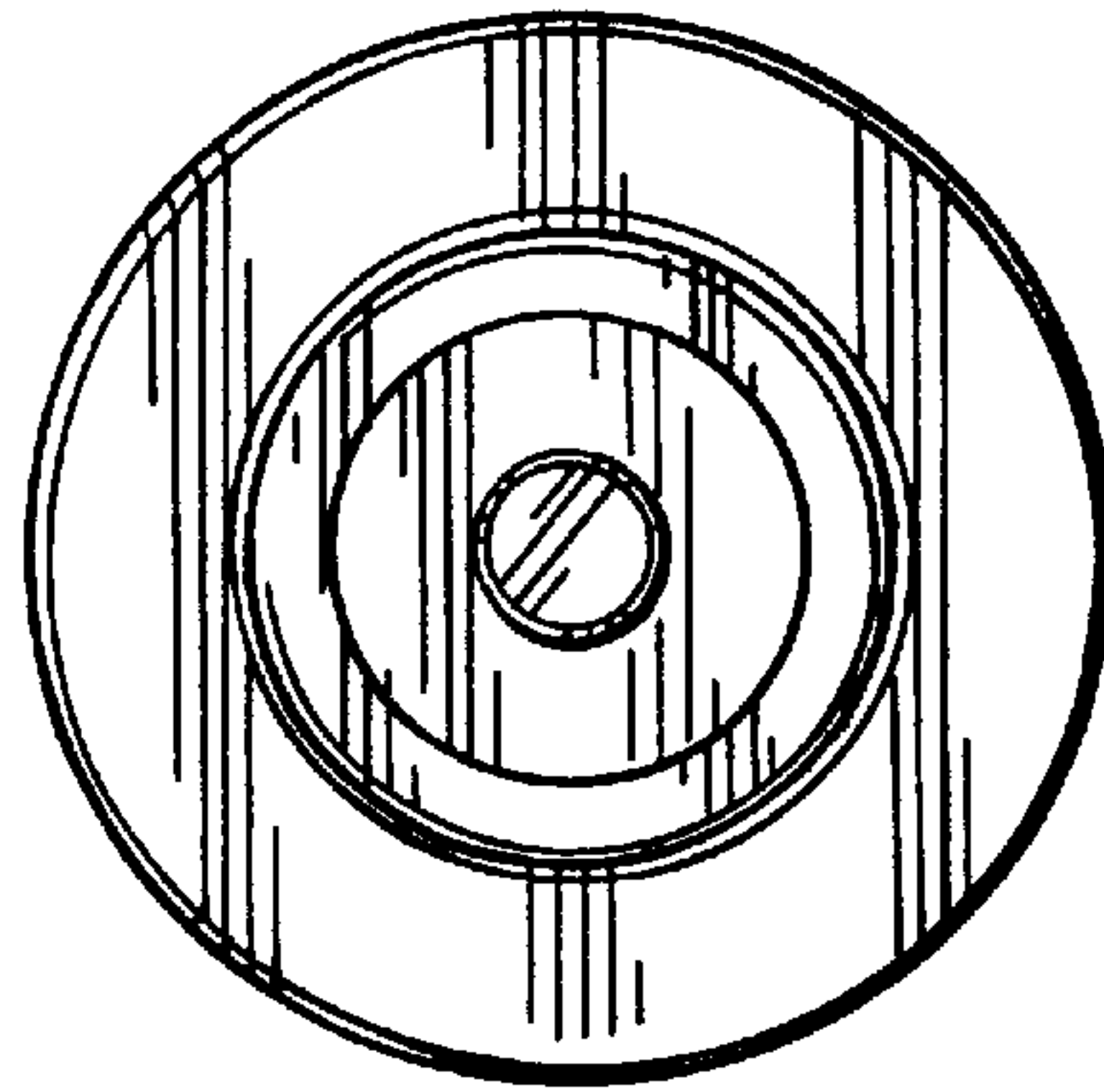


Fig-4