



US00D403034S

United States Patent [19]

Moon et al.

[11] **Patent Number: Des. 403,034**

[45] **Date of Patent: **Dec. 22, 1998**

[54] **TREADMILL**

[75] Inventors: **Dan Moon**, Riverview, Ill.; **Stanley J. Goldfader**, St. Louis, Mo.; **David Green**, St. Charles, Mo.; **Frank R. Trulaske**, St. Louis, Mo.; **Scott Eycler**, St. Peters, Mo.

[73] Assignee: **True Fitness Technology, Inc.**, O'Fallon, Mo.

[**] Term: **14 Years**

[21] Appl. No.: **75,227**

[22] Filed: **Aug. 13, 1997**

[51] **LOC (6) Cl.** **21-02**

[52] **U.S. Cl.** **D21/669**

[58] **Field of Search** D21/191, 192, D21/193, 194, 195; 482/51, 54, 52

[56] **References Cited**

U.S. PATENT DOCUMENTS

- D. 313,826 1/1991 Birrell et al. D21/192
- D. 315,765 3/1991 Measom et al. D21/192
- D. 316,124 4/1991 Dalebout et al. D21/192

- D. 323,198 1/1992 Dalebout et al. D21/192
- D. 333,330 2/1993 Clem D21/192
- D. 365,611 12/1995 Hung D21/192

Primary Examiner—Philip S. Hyder
Attorney, Agent, or Firm—Howell & Haferkamp, L.C.

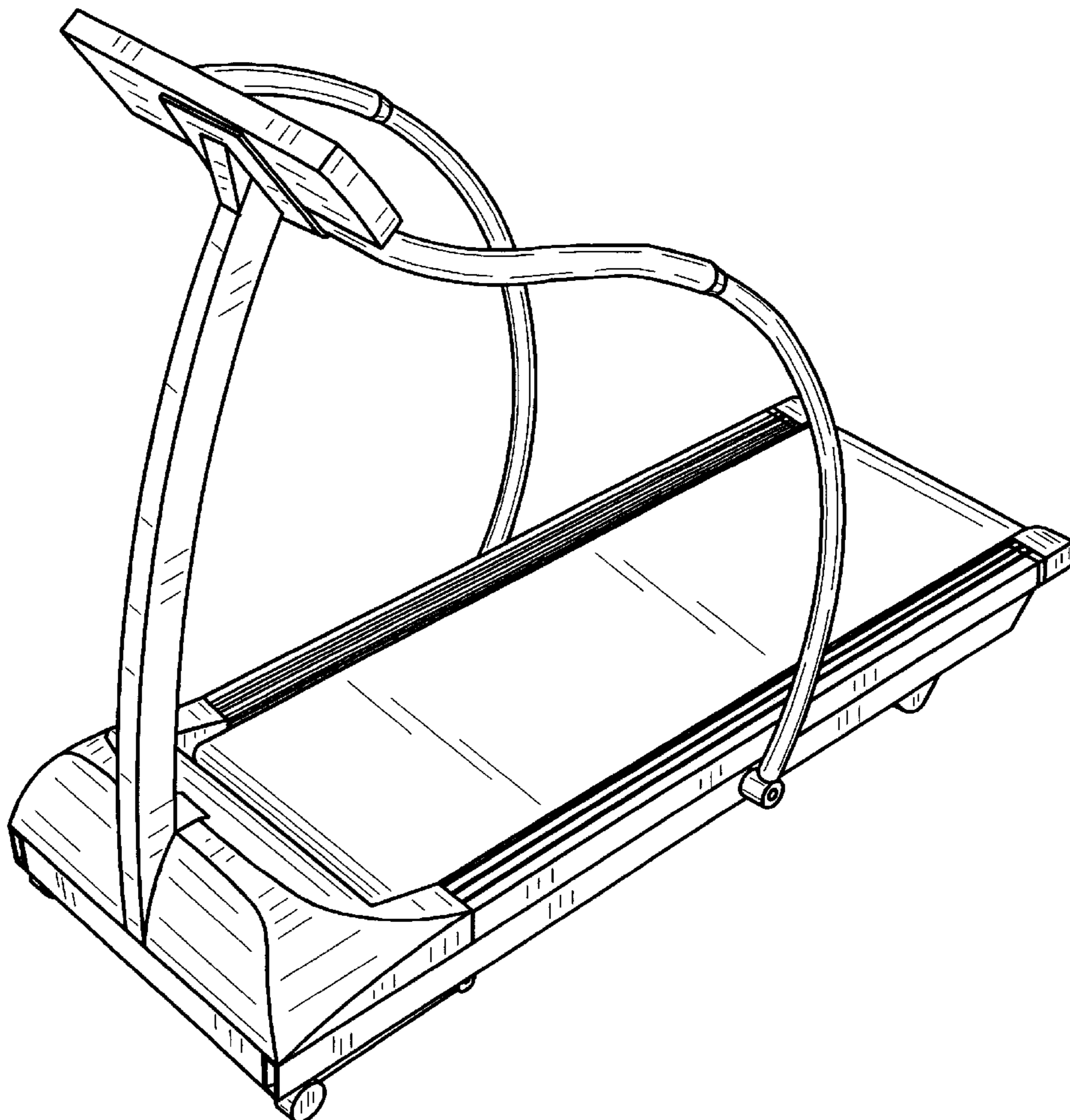
[57] **CLAIM**

The ornamental design for a treadmill, as shown and described.

DESCRIPTION

FIG. 1 is a perspective view of a treadmill showing our new design;
 FIG. 2 is a front end elevational view of the treadmill of FIG. 1;
 FIG. 3 is a rear end elevational view of the treadmill of FIG. 1;
 FIG. 4 is a right side elevational view of the treadmill of FIG. 1;
 FIG. 5 is a left side elevational view of the treadmill of FIG. 1; and,
 FIG. 6 is a top plan view of the treadmill of FIG. 1, the bottom of the treadmill is unornamented and forms no part of the claimed design.

1 Claim, 5 Drawing Sheets



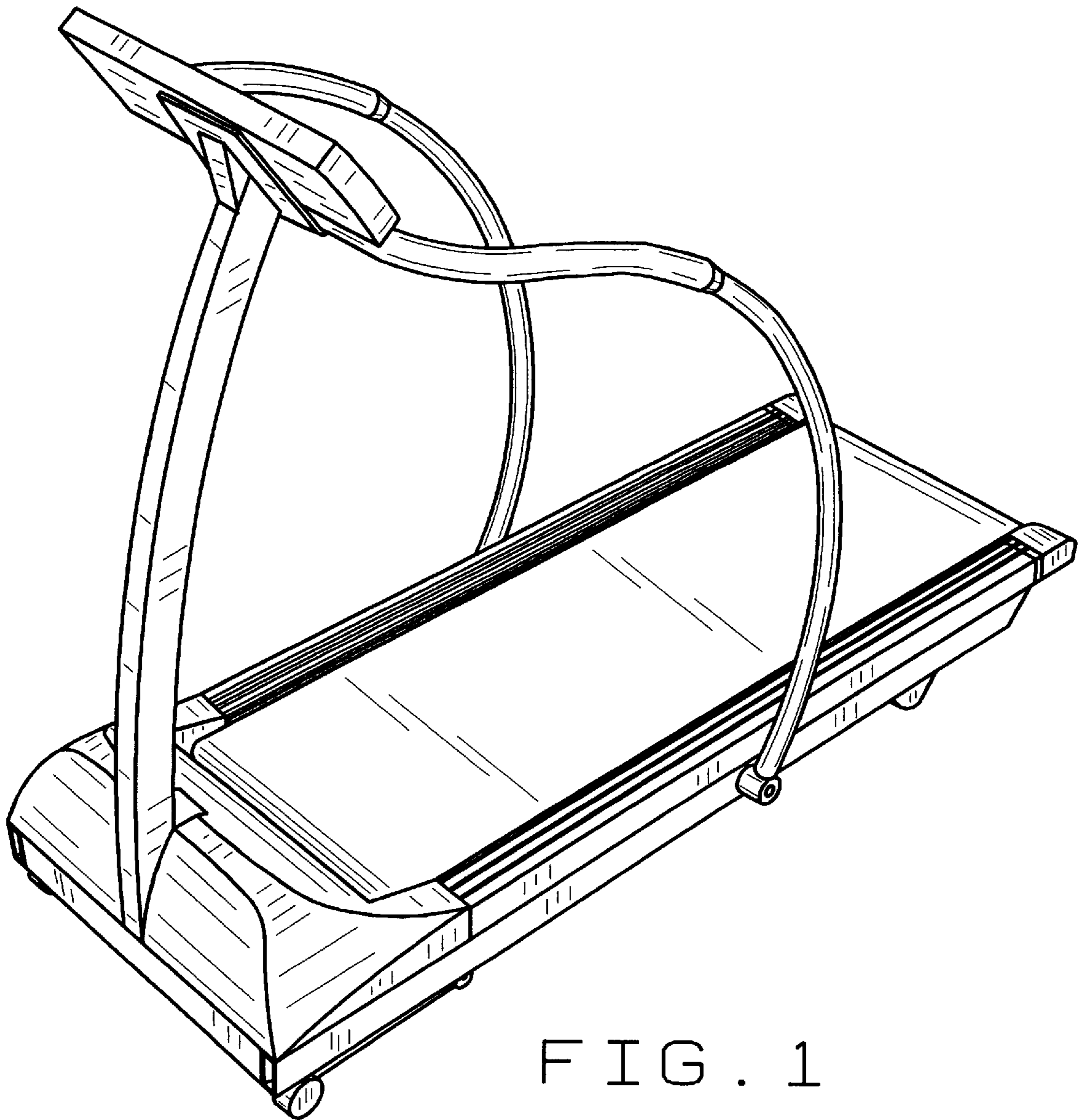


FIG. 1

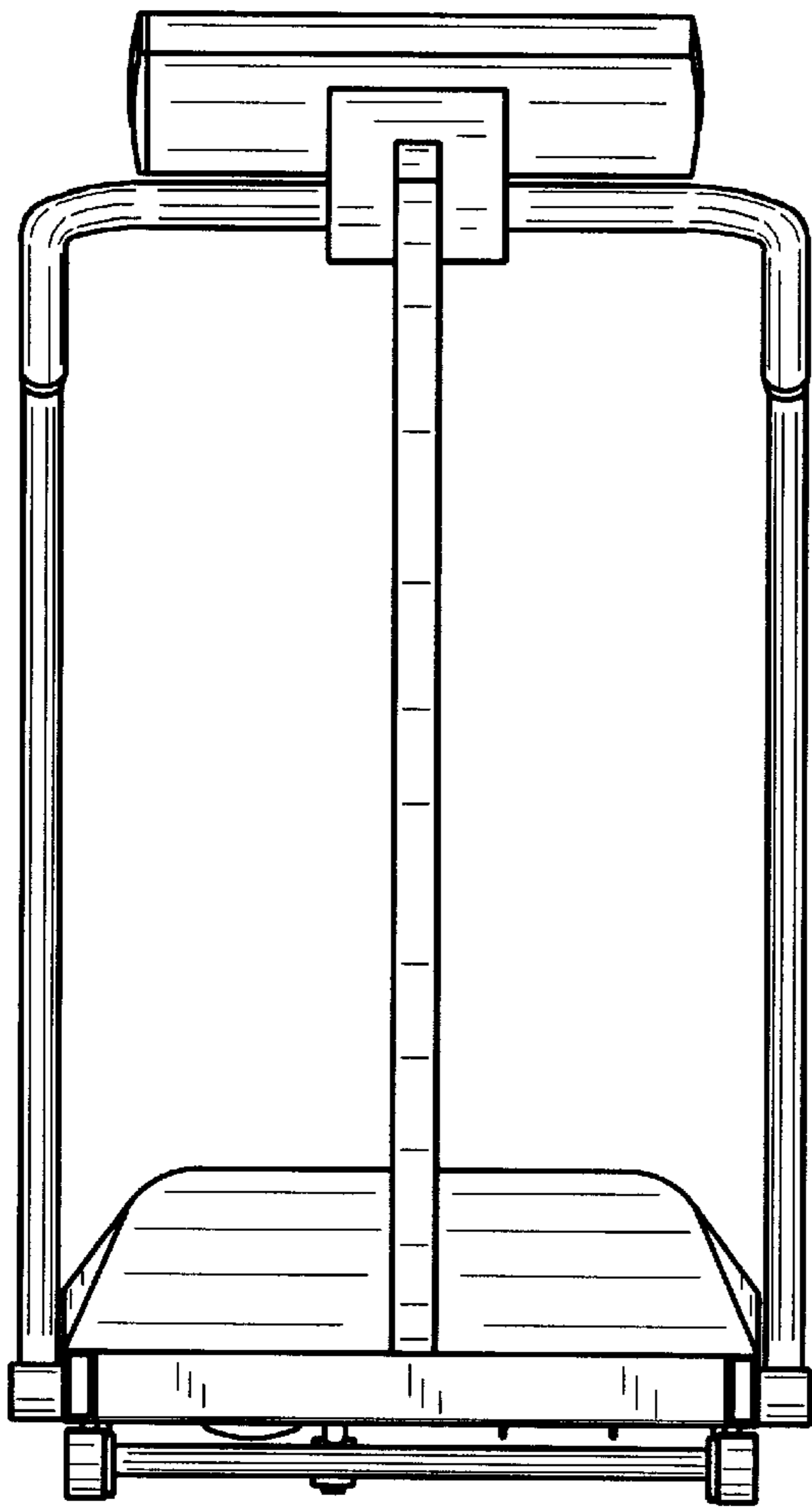


FIG. 2

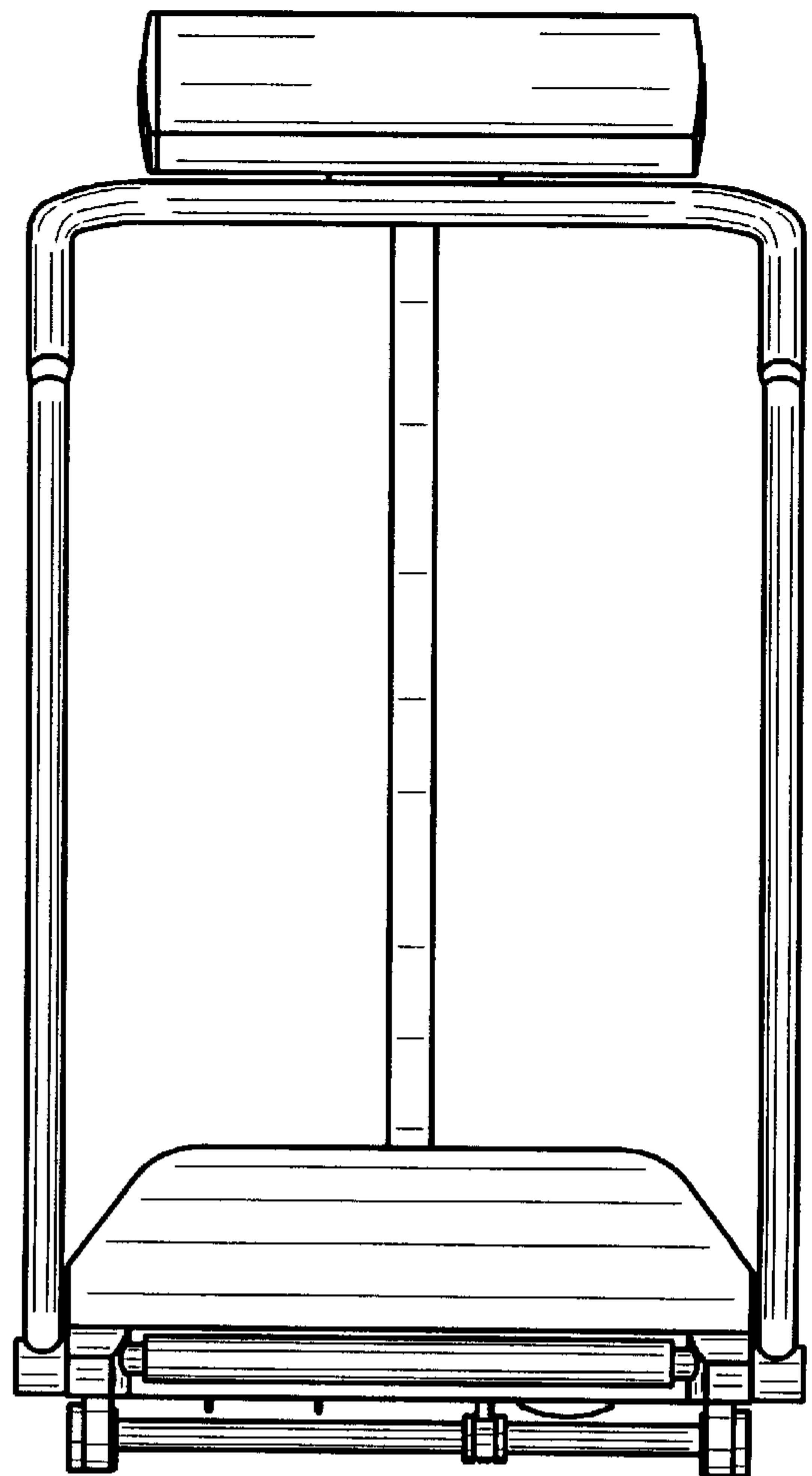


FIG. 3

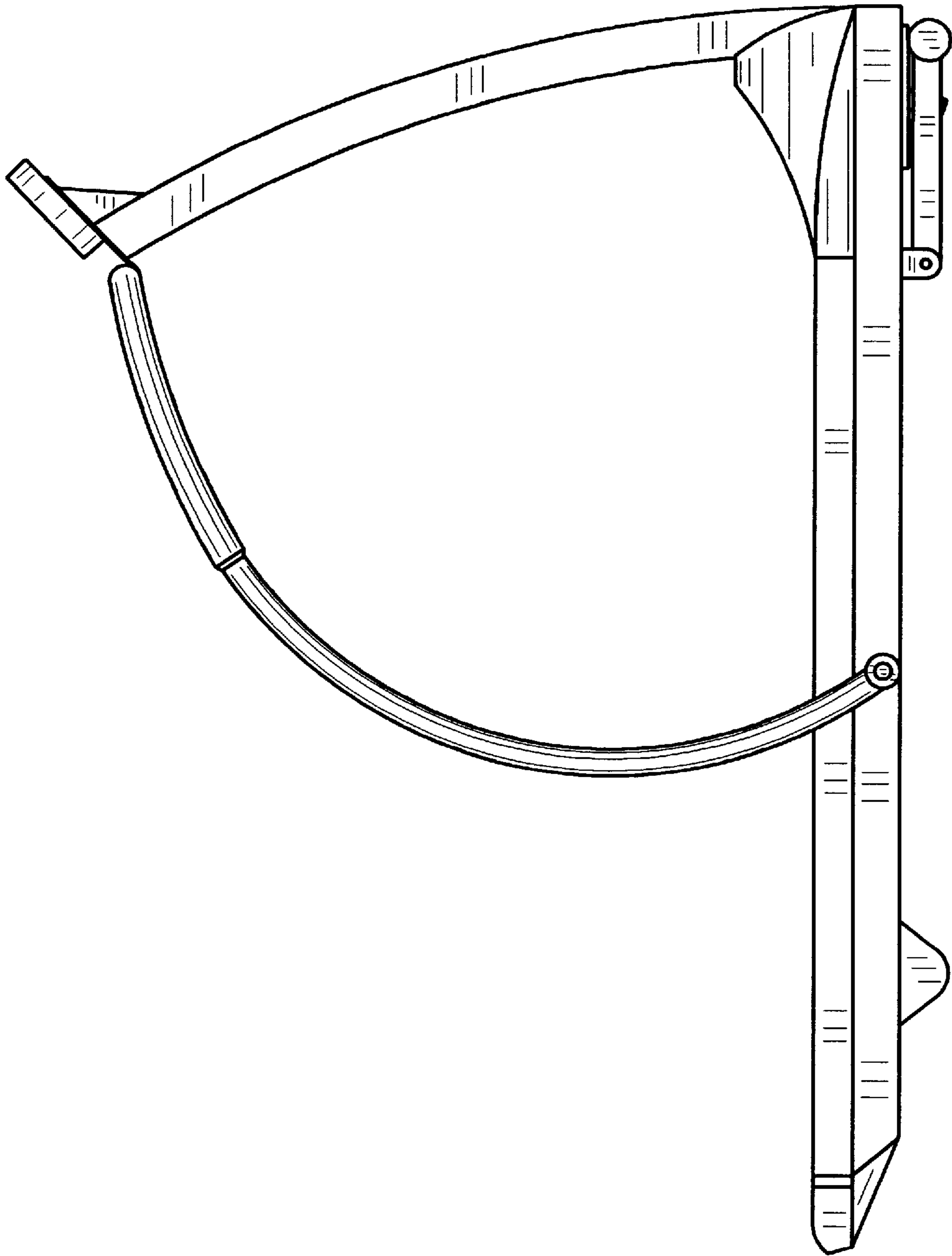


FIG. 4

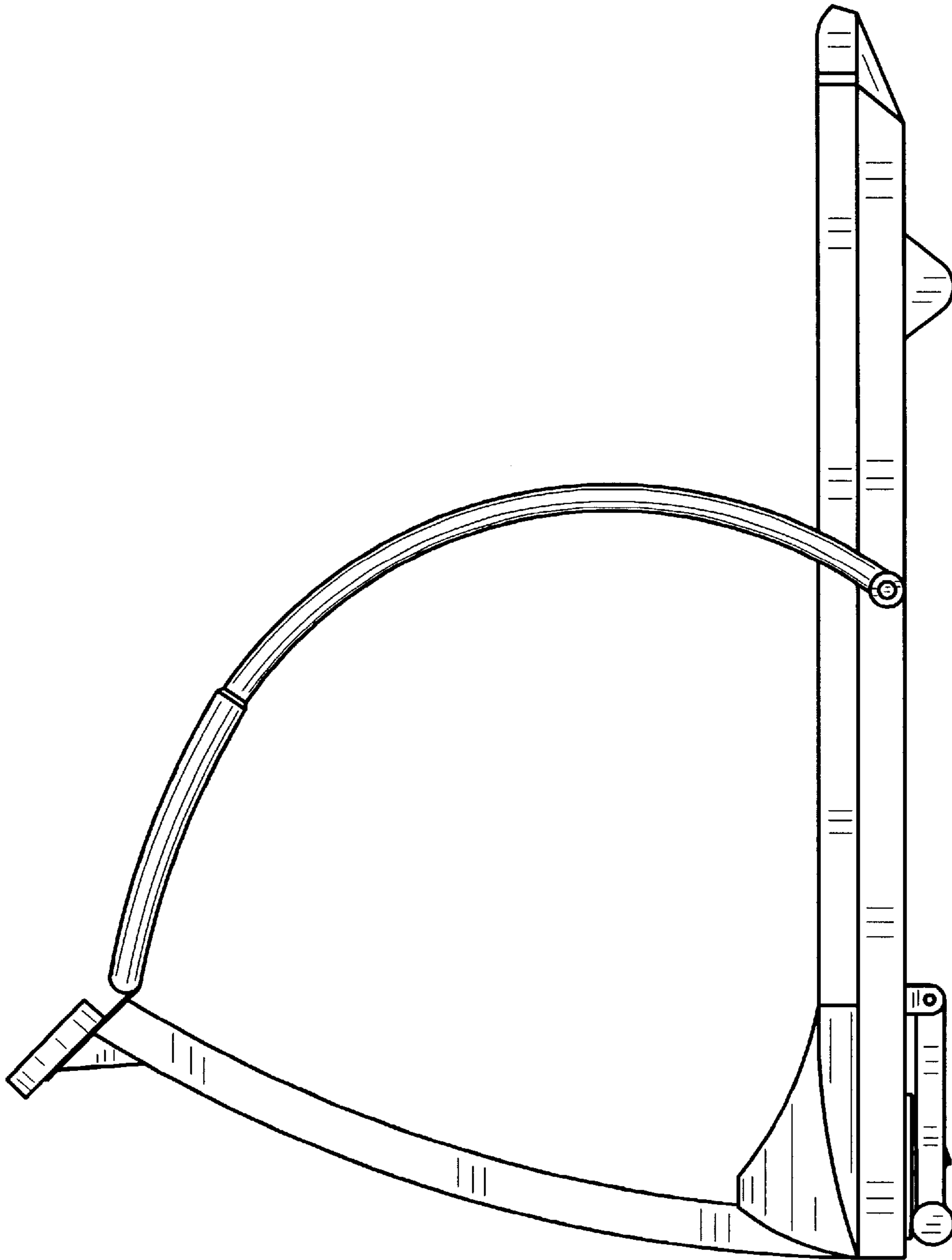


FIG. 5

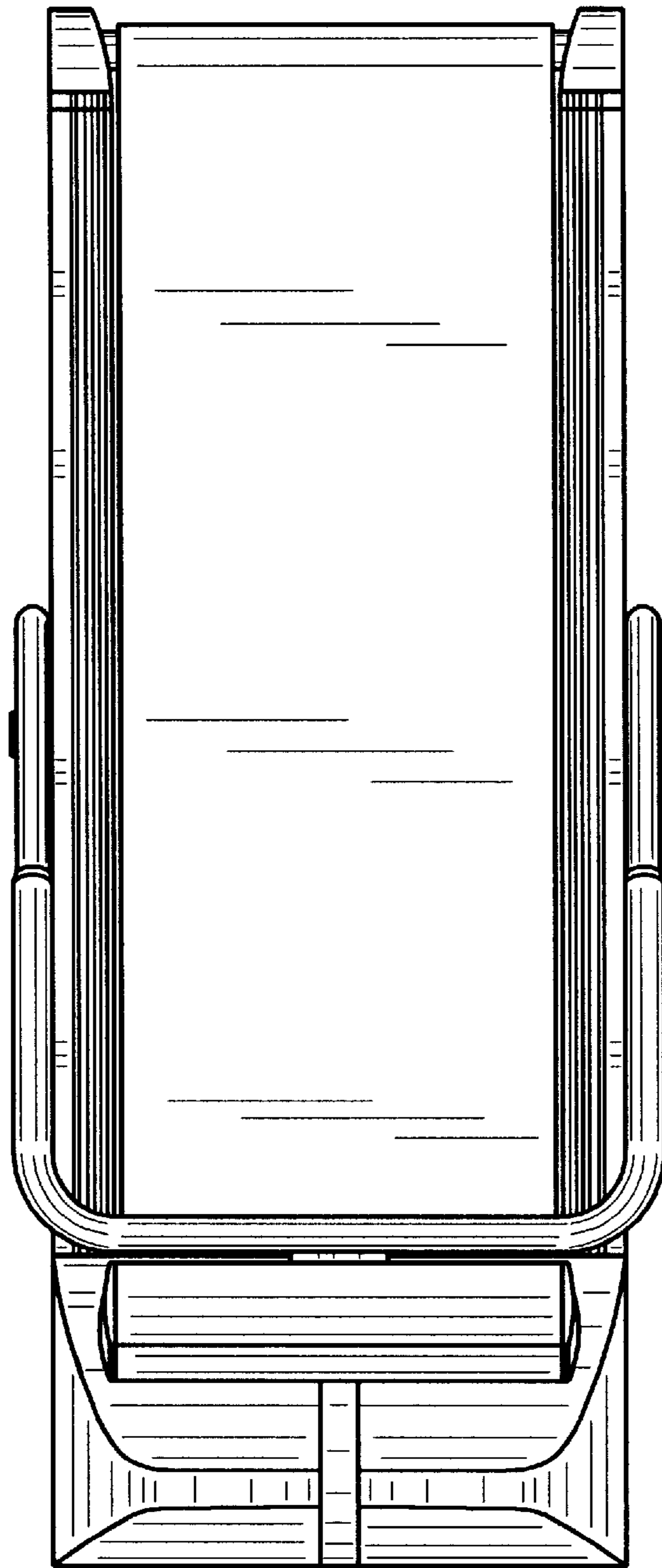


FIG. 6