



US00D403032S

United States Patent [19] Huang

[11] Patent Number: Des. 403,032

[45] Date of Patent: **Dec. 22, 1998

[54] EXERCISER

[76] Inventor: Hui-Mei Huang, No. 61, Mai Jou II Rd., I Lan City, Taiwan

[**] Term: 14 Years

[21] Appl. No.: 77,317

[22] Filed: Sep. 30, 1997

[51] LOC (6) Cl. 21-02

[52] U.S. Cl. D21/666

[58] Field of Search D21/191, 192,
D21/193, 194, 195; 482/51, 52, 53, 57,
58, 59

[56] **References Cited**

U.S. PATENT DOCUMENTS

D. 300,046	2/1989	Armstrong et al.	D21/194
D. 318,086	7/1991	Bingham et al.	D21/194
D. 320,826	10/1991	Hildebrandt et al.	D21/194
D. 340,758	10/1993	Ueda	D21/194

D. 342,299	12/1993	Birrell et al.	D21/194
D. 353,422	12/1994	Bostic et al.	D21/194
D. 372,060	7/1996	Wang et al.	D21/194

Primary Examiner—Philip S. Hyder
Attorney, Agent, or Firm—Pro-Techtor International Services

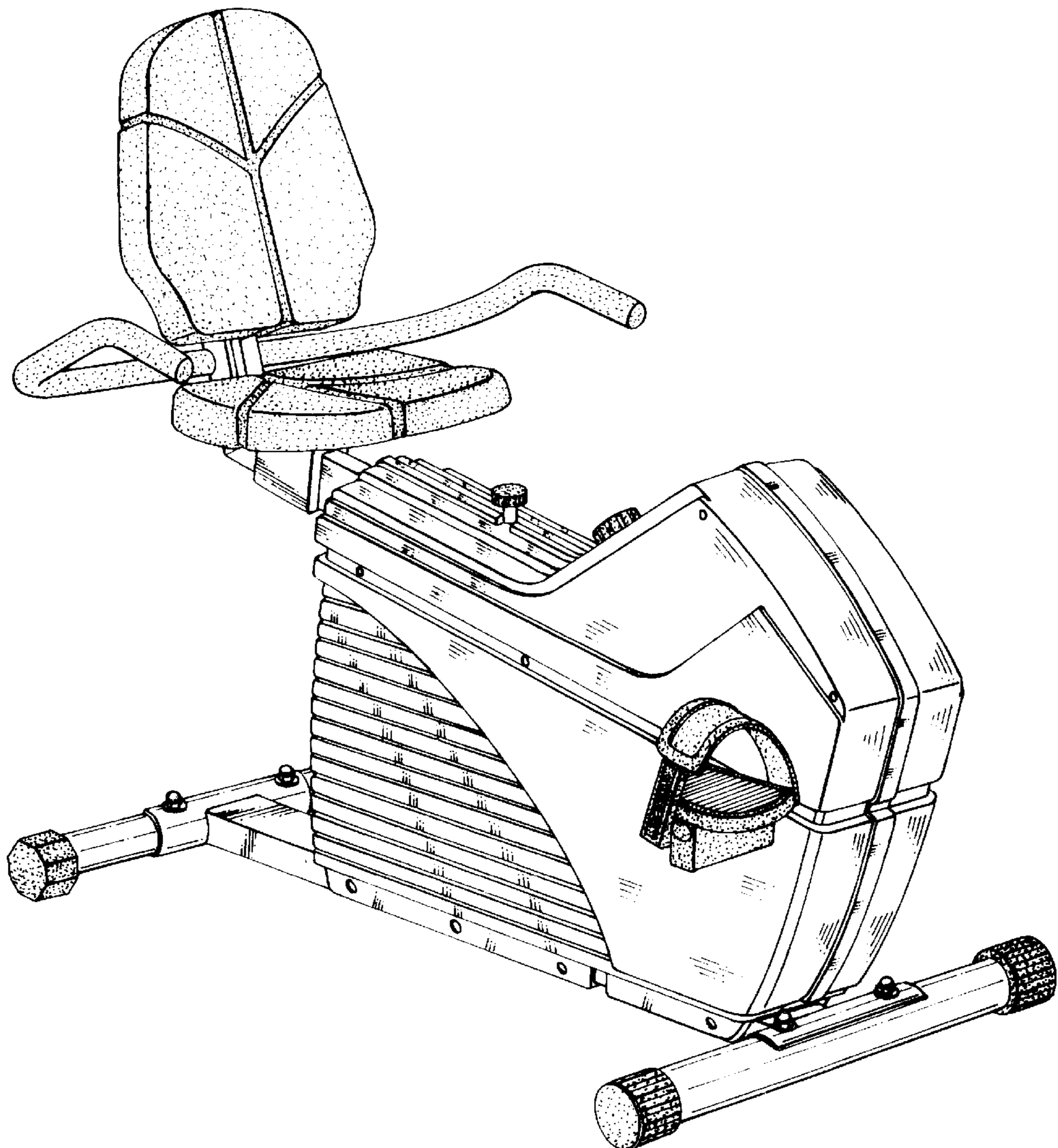
[57] **CLAIM**

The ornametal design for an exerciser, as shown and described.

DESCRIPTION

FIG. 1 is a perspective view of an exerciser showing my new design;
FIG. 2 is a front elevational view thereof;
FIG. 3 is a rear elevational view thereof;
FIG. 4 is a top plan view thereof;
FIG. 5 is a bottom plan view thereof;
FIG. 6 is a left side elevational view thereof; and,
FIG. 7 is a right side elevational view thereof.

1 Claim, 7 Drawing Sheets



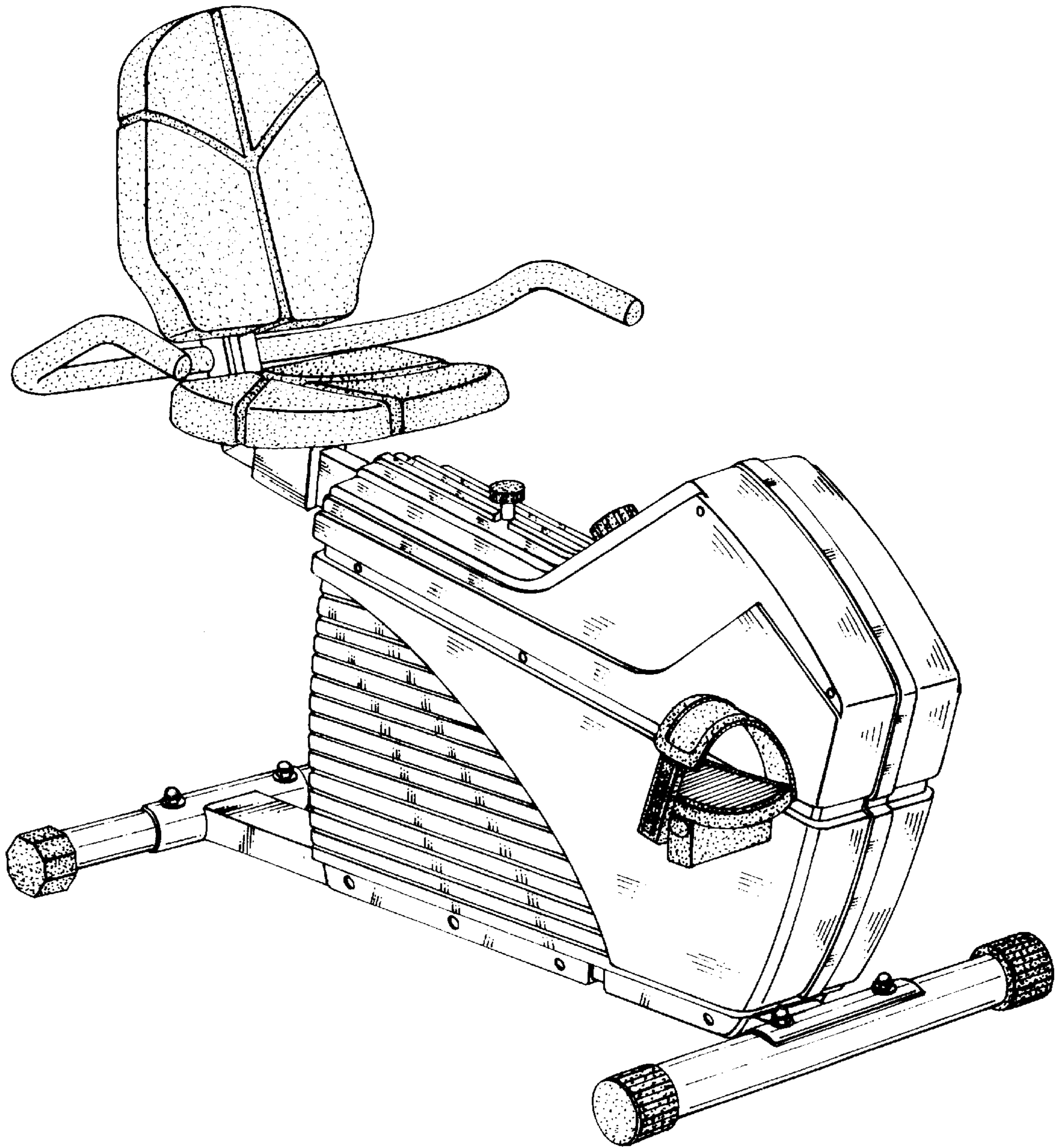


Fig. 1

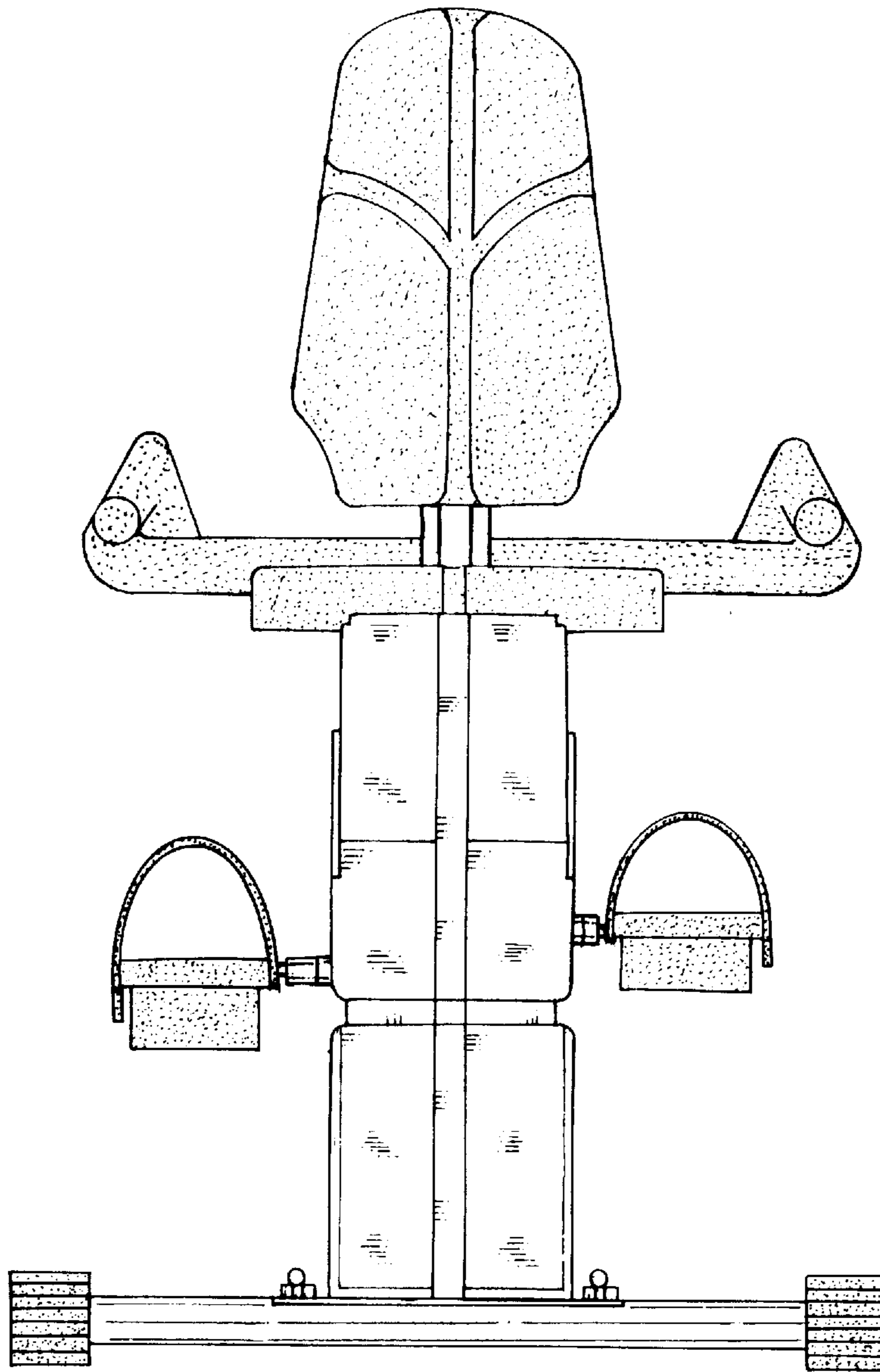


Fig. 2

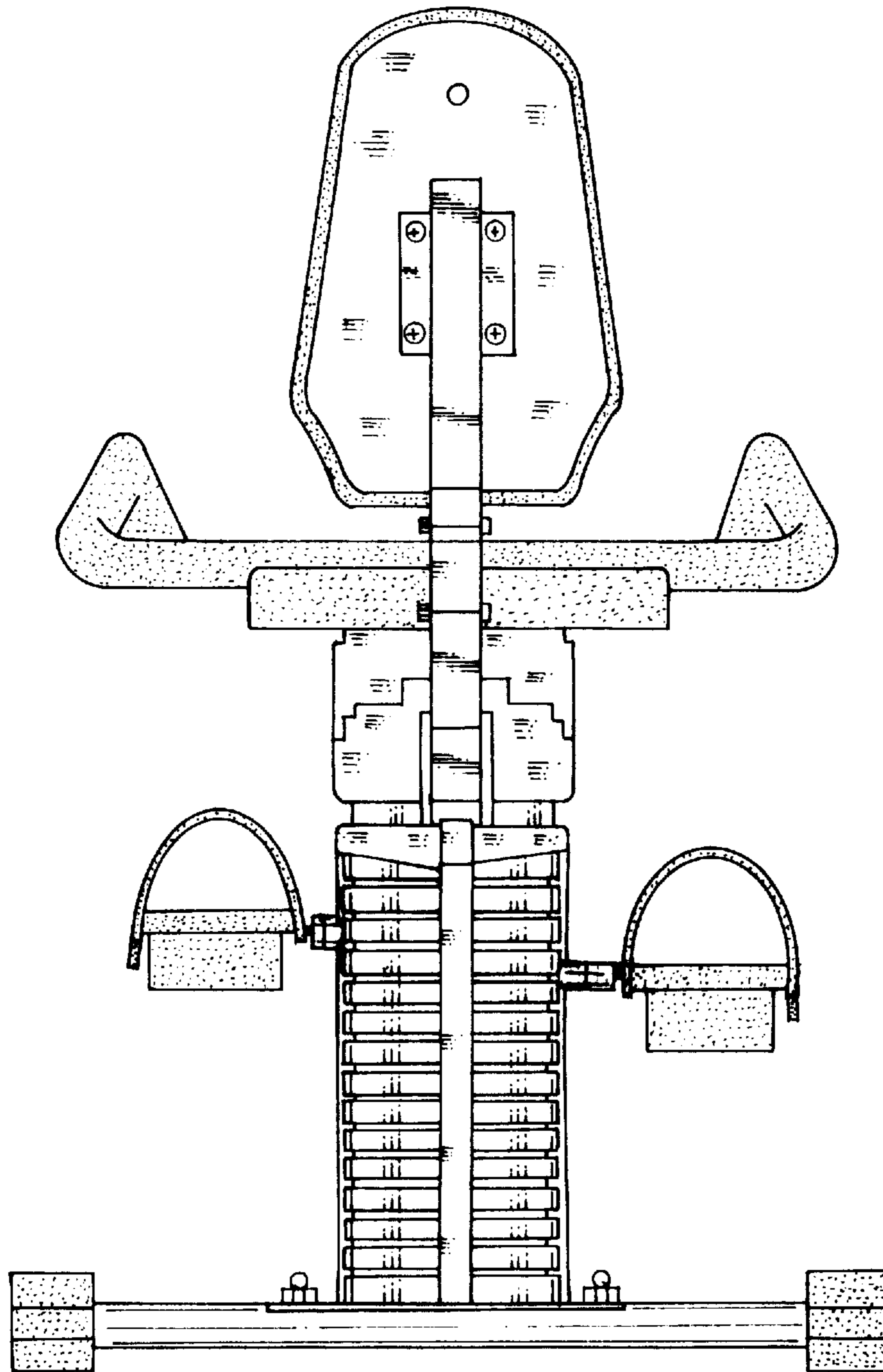


Fig. 3

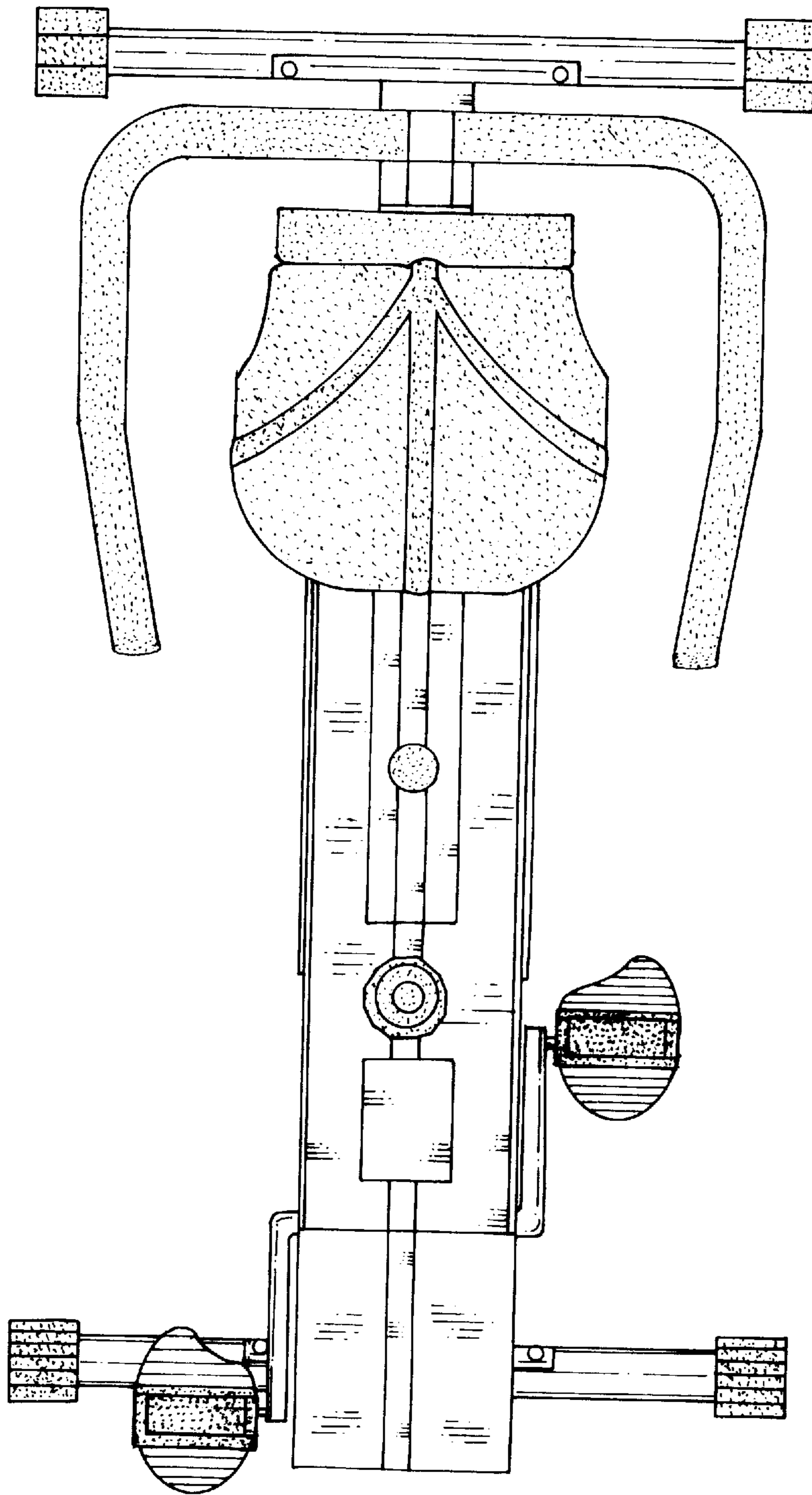


Fig. 4

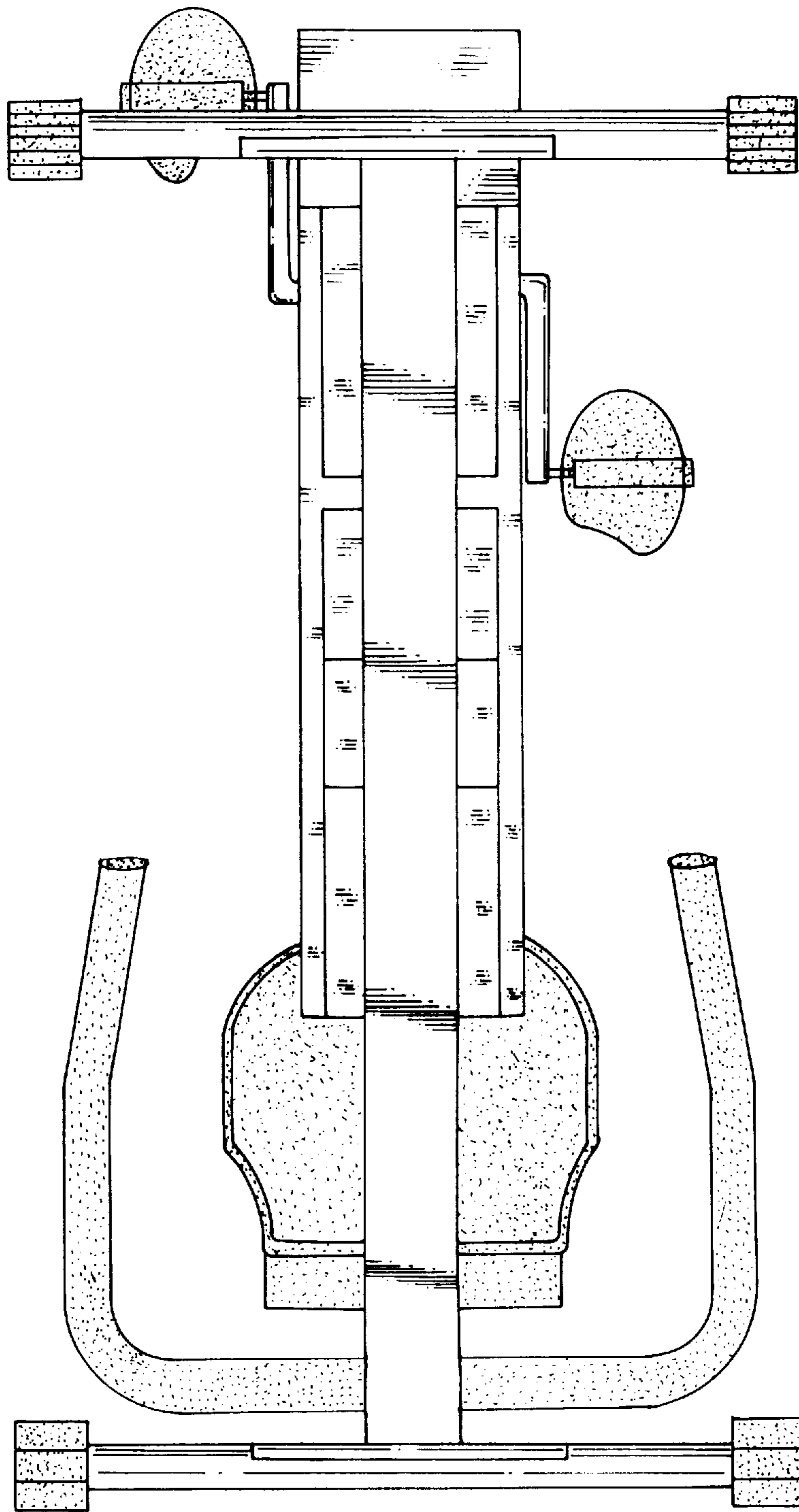


Fig. 5

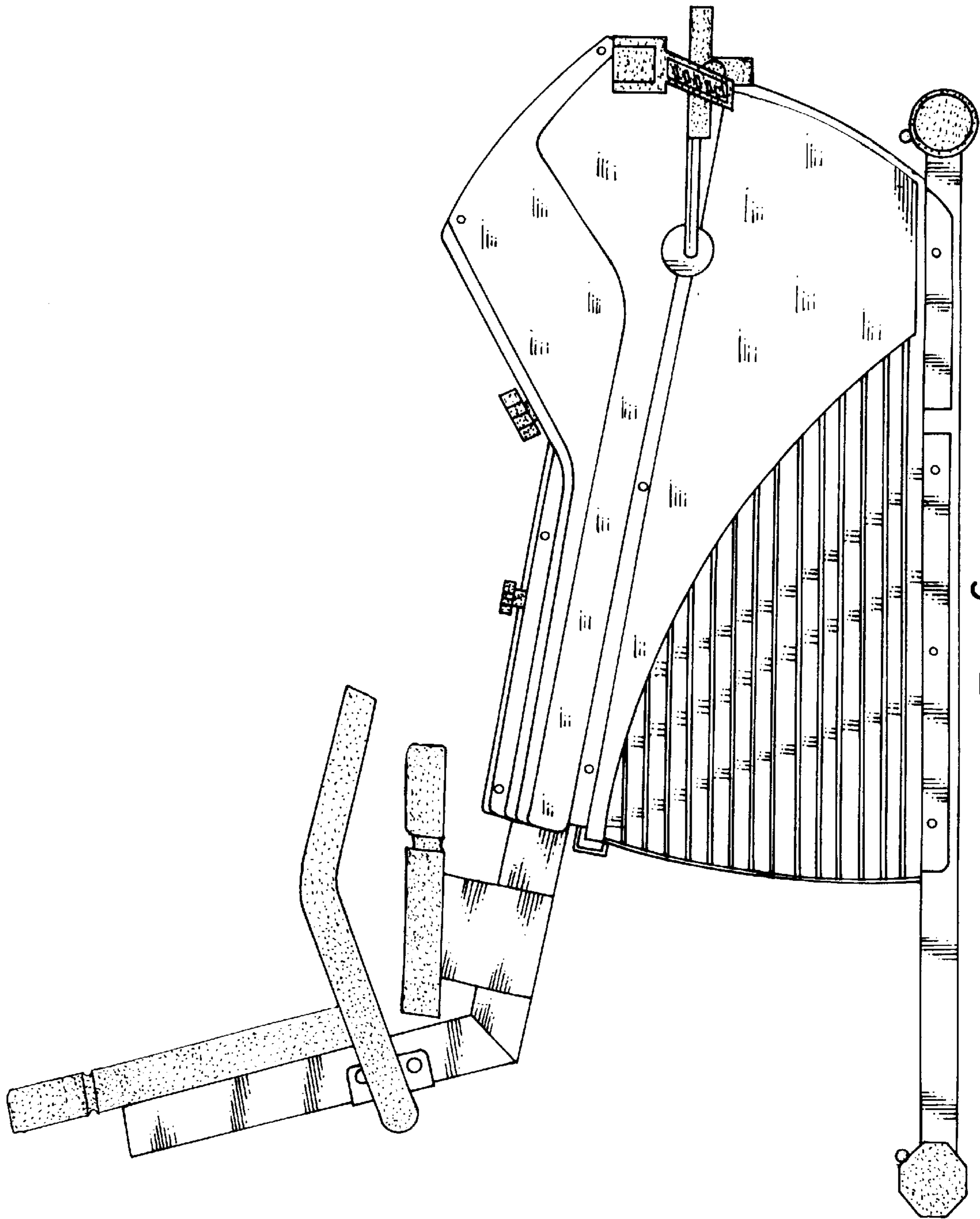


Fig. 6

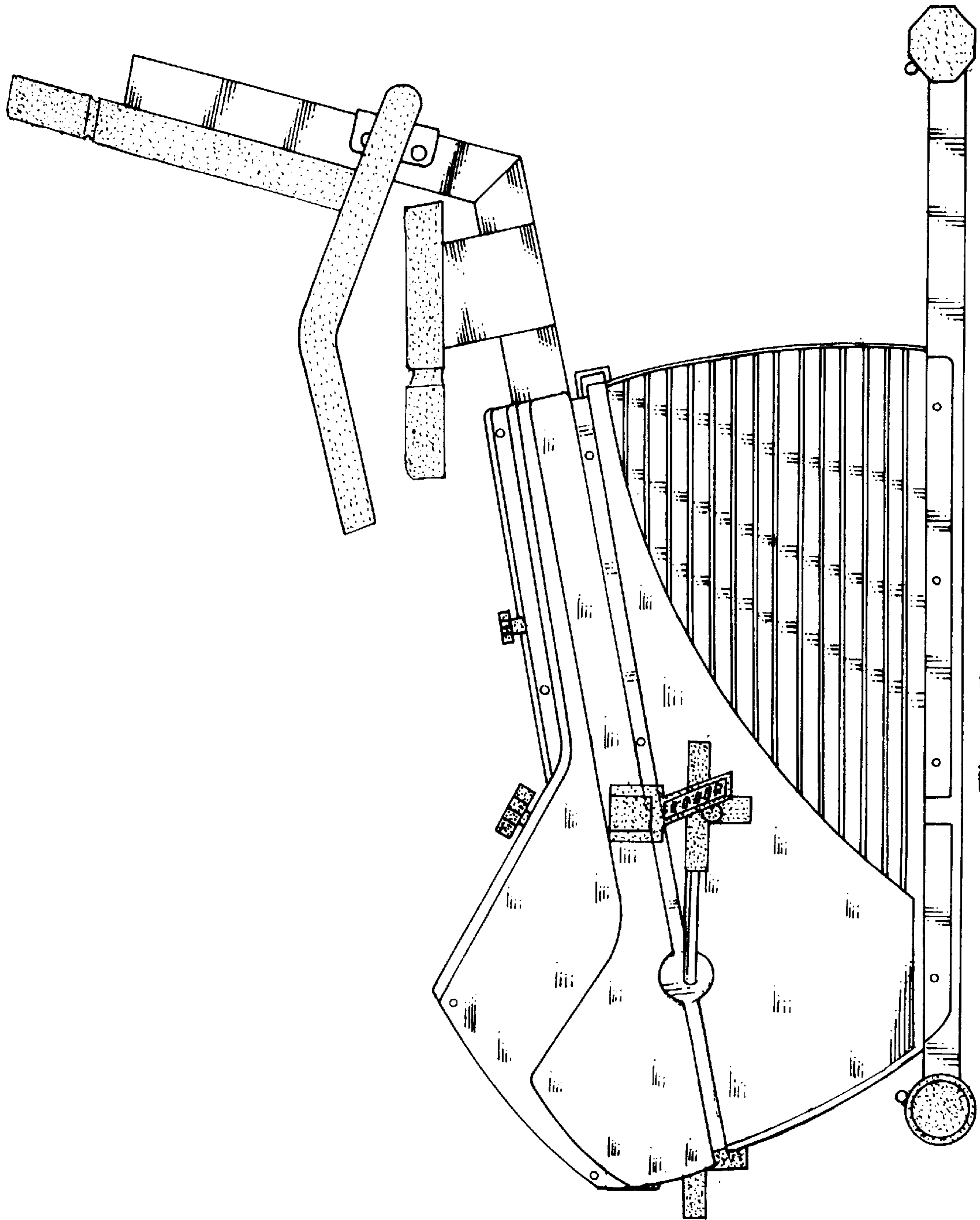


Fig. 7