



US00D403030S

United States Patent [19] Yue

[11] **Patent Number: Des. 403,030**

[45] **Date of Patent: **Dec. 22, 1998**

[54] **TRACKED VEHICLE TOY**

[75] Inventor: **Gilbert Y. Yue**, Kowloon, Hong Kong

[73] Assignee: **Alert Enterprises, Inc.**, San Diego, Calif.

[**] Term: **14 Years**

[21] Appl. No.: **79,951**

[22] Filed: **Nov. 19, 1997**

[51] **LOC (6) Cl. 21-01**

[52] **U.S. Cl. D21/539**

[58] **Field of Search** D21/108, 68-70, D21/71-81, 128, 131, 134, 136, 137, 140, 141; D12/1, 3, 7, 12, 14, 16, 87, 90-92; 446/93-96, 432-433, 465-466, 470; 280/87.01, 87.021, 80.1; 180/9.1, 182

[56] **References Cited**

U.S. PATENT DOCUMENTS

D. 164,216 8/1951 Baldine D12/3

D. 182,916 5/1958 McFarland D21/136
D. 233,359 10/1974 Krumwolz D21/134
D. 326,489 5/1992 Bryan D21/131
D. 329,885 9/1992 Maarschalkerweerd et al. D21/131
D. 391,896 3/1998 Albertson D12/1

Primary Examiner—Raphael Barkai
Attorney, Agent, or Firm—Brown, Martin, Haller & McClain

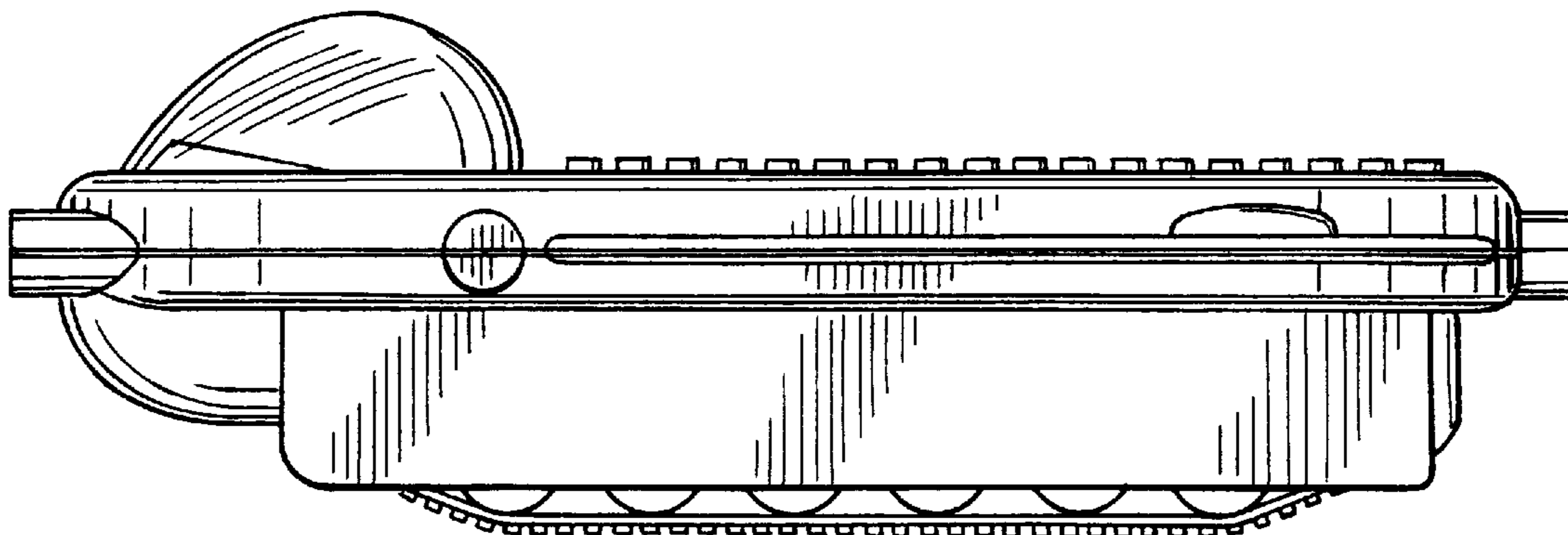
[57] **CLAIM**

The ornamental design for a tracked vehicle toy, as shown and described.

DESCRIPTION

FIG. 1 is a side elevational view of a tracked vehicle toy, showing my new design, from the opposite side being a mirror image thereof;
FIG. 2 is a top plan view thereof;
FIG. 3 is a front view thereof;
FIG. 4 is a bottom plan view thereof; and,
FIG. 5 is a rear view thereof.

1 Claim, 2 Drawing Sheets



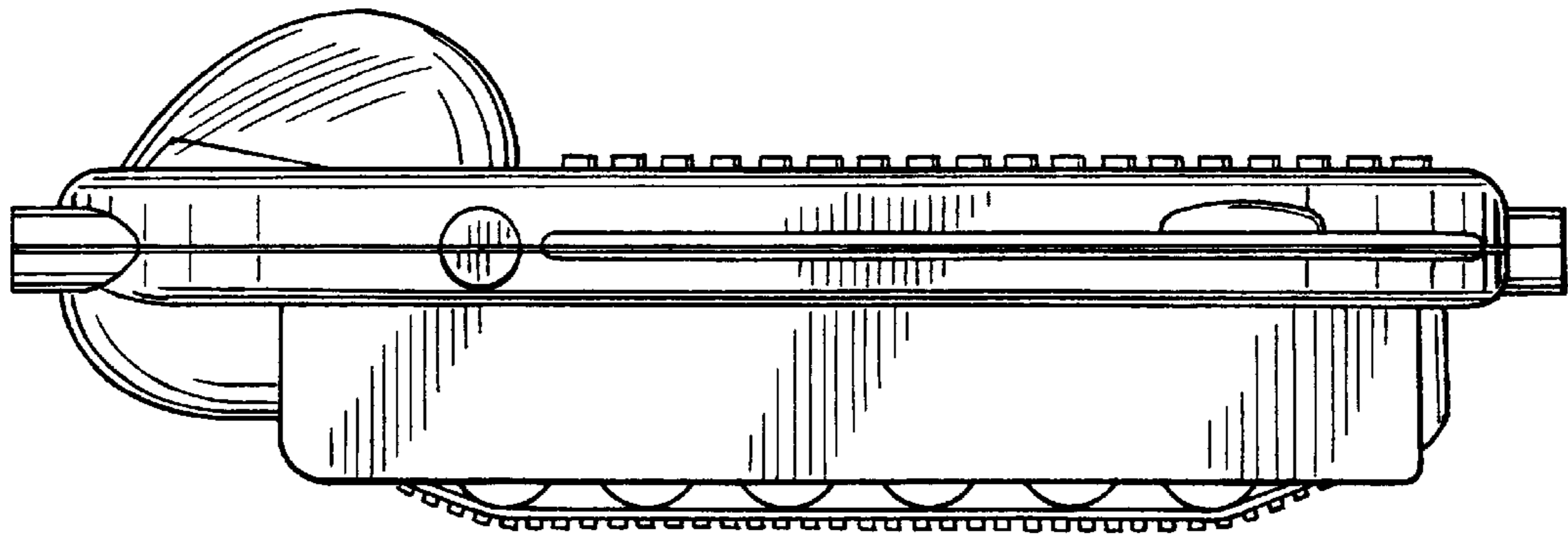


FIG. 1

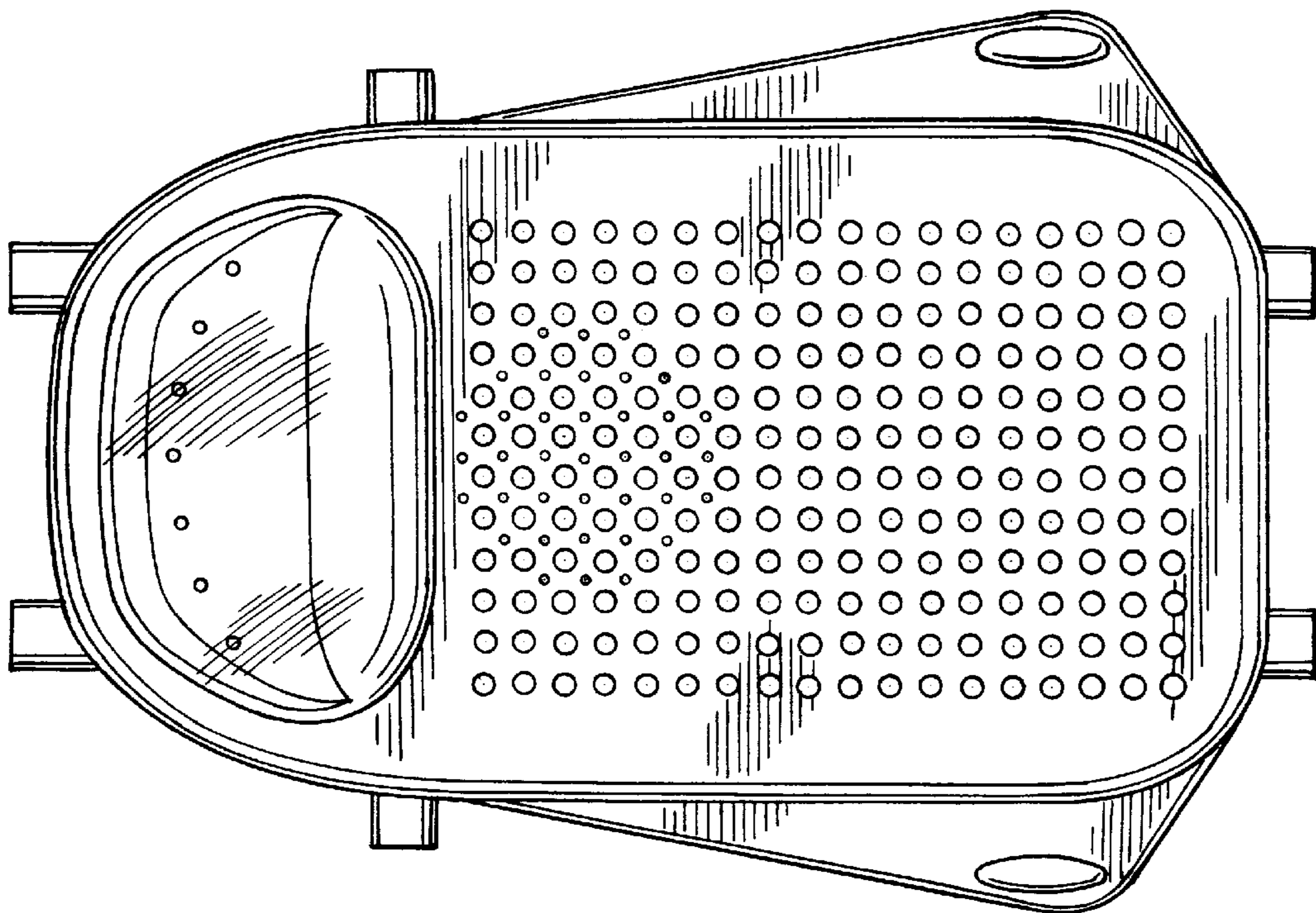


FIG. 2

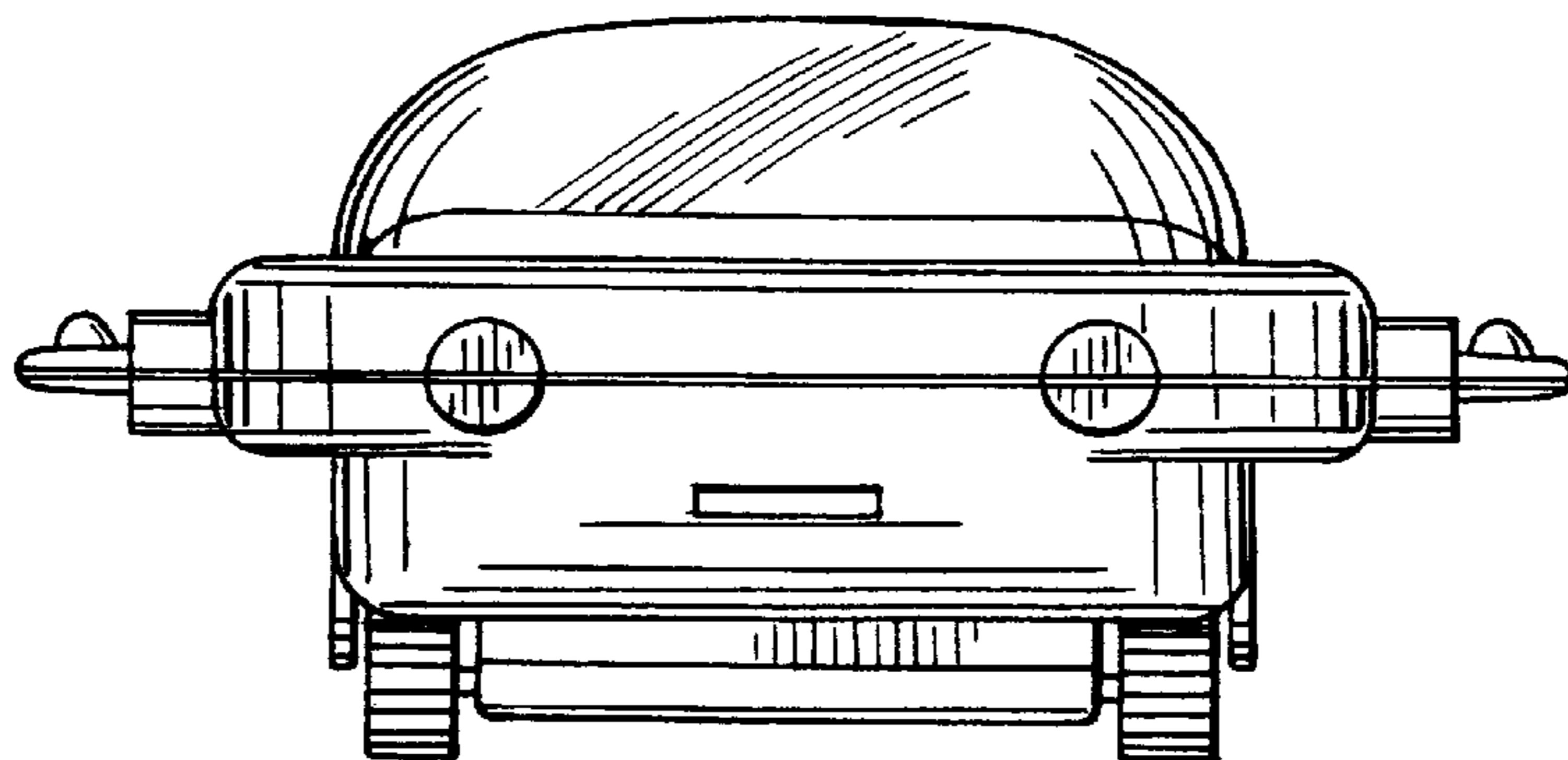


FIG. 3

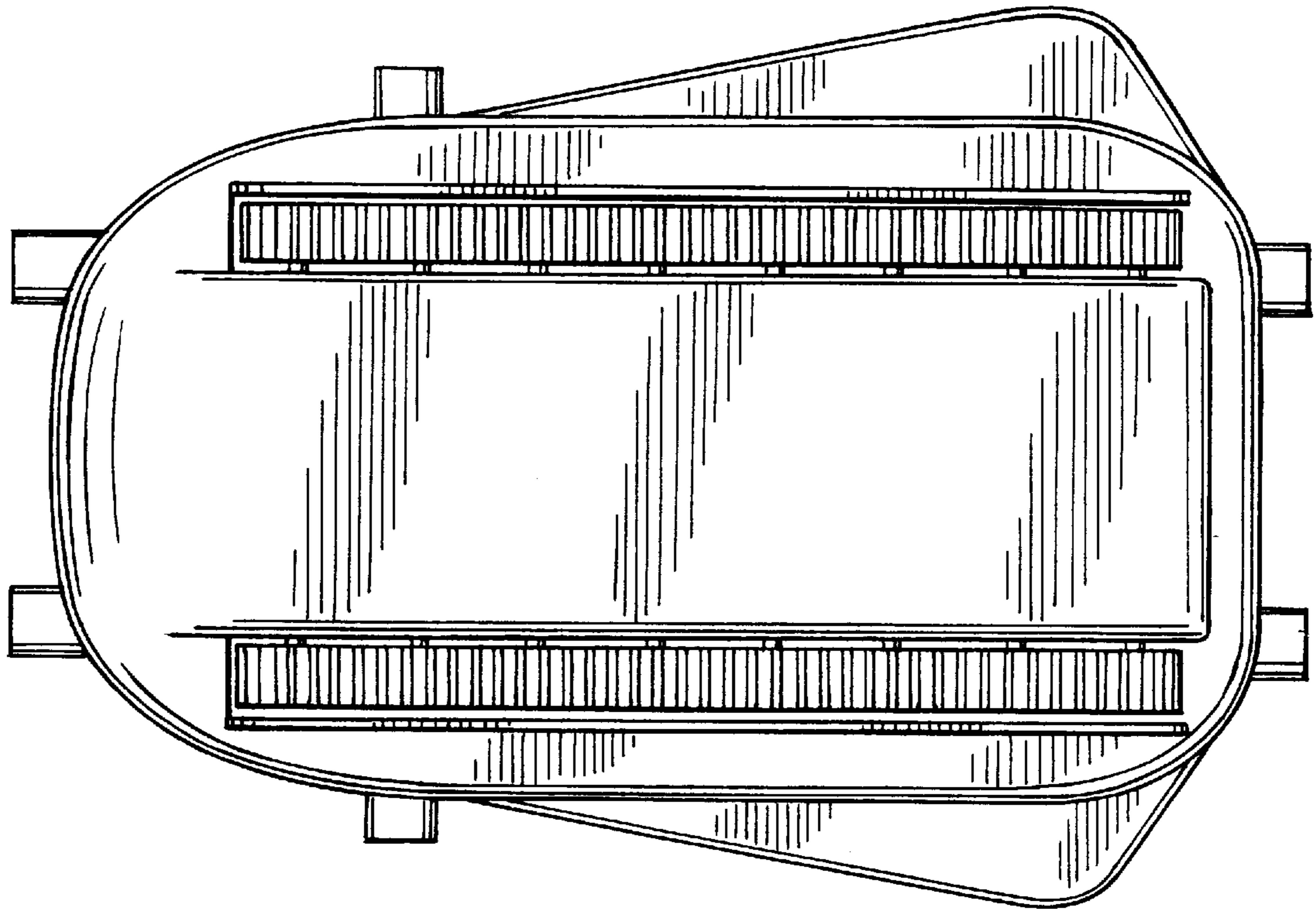


FIG. 4

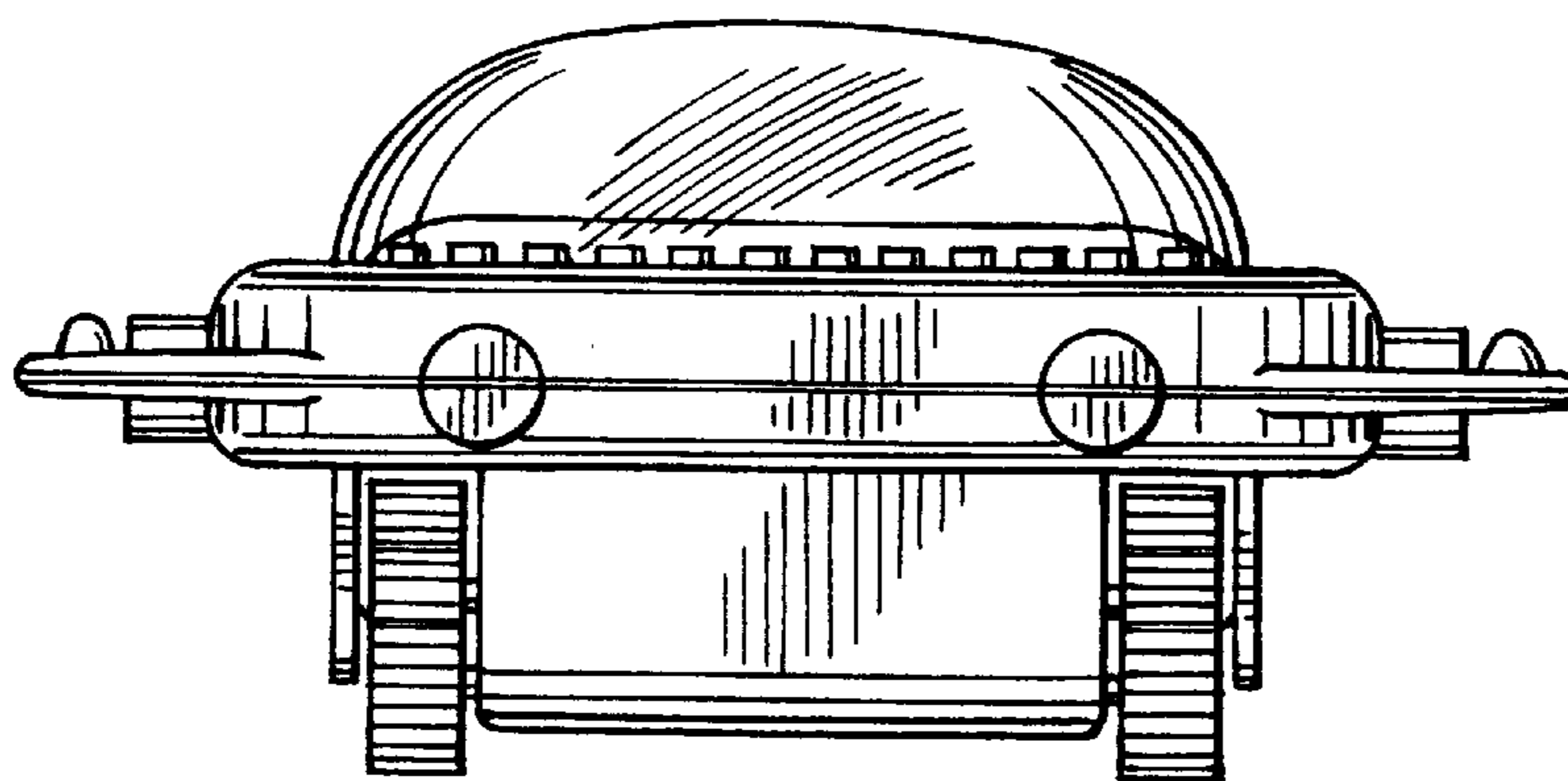


FIG. 5