



US00D403026S

**United States Patent** [19]  
**Pasin**

[11] **Patent Number: Des. 403,026**

[45] **Date of Patent: \*\*Dec. 22, 1998**

[54] **CHILDREN'S RIDING VEHICLE**

D. 389,532 1/1998 Vanhuystee ..... D21/71

[76] Inventor: **Antonio J. Pasin**, 675 Lake St., Apt.  
No. 315, Oak Park, Ill. 60301

*Primary Examiner*—Raphael Barkai  
*Attorney, Agent, or Firm*—James P. Ryther, Esq.; Mary  
Spalding Burns, Esq.

[\*\*] Term: **14 Years**

[57] **CLAIM**

[21] Appl. No.: **78,892**

I claim the ornamental design for a children's riding vehicle.

[22] Filed: **Oct. 31, 1997**

**DESCRIPTION**

[51] **LOC (6) Cl.** ..... **21-01**

[52] **U.S. Cl.** ..... **D21/425**

[58] **Field of Search** ..... D21/71, 78, 80,  
D21/81, 134, 141.1, 224, 136; D12/128,  
129, 110; 280/87.01, 87.021, 87.041, 87.051,  
87.043, 773, 776, 47.36; 446/465, 96, 440,  
451

FIG. 1 is a perspective view of the children's riding vehicle  
of the invention;

FIG. 2 is a side elevational view of the design shown in FIG.  
1;

FIG. 3 is an opposite side elevational view of the design  
shown in FIG. 1;

FIG. 4 is a front elevational view of the design shown in  
FIG. 1;

FIG. 5 is a rear elevational view of the design shown in FIG.  
1;

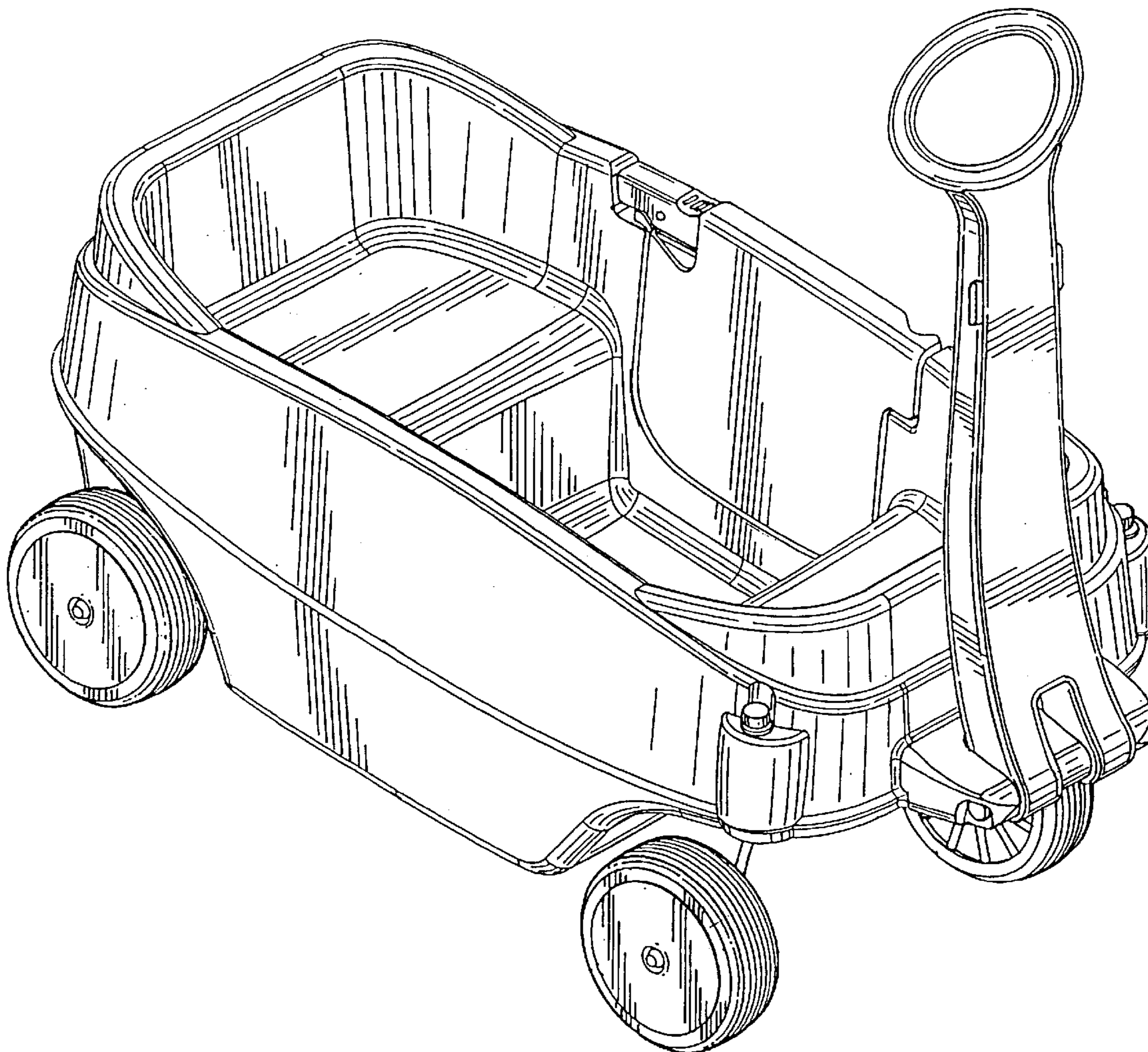
FIG. 6 is a top plan view of the design shown in FIG. 1; and,  
FIG. 7 is a bottom plan view of the design shown in FIG. 1.

[56] **References Cited**

**U.S. PATENT DOCUMENTS**

- D. 316,576 4/1991 Vanhuystee ..... D21/71
- D. 369,629 5/1996 Pasin et al. .... D21/71
- D. 382,309 8/1997 Brown et al. .... D21/71
- D. 388,473 12/1997 Pasin et al. .... D21/71

**1 Claim, 5 Drawing Sheets**



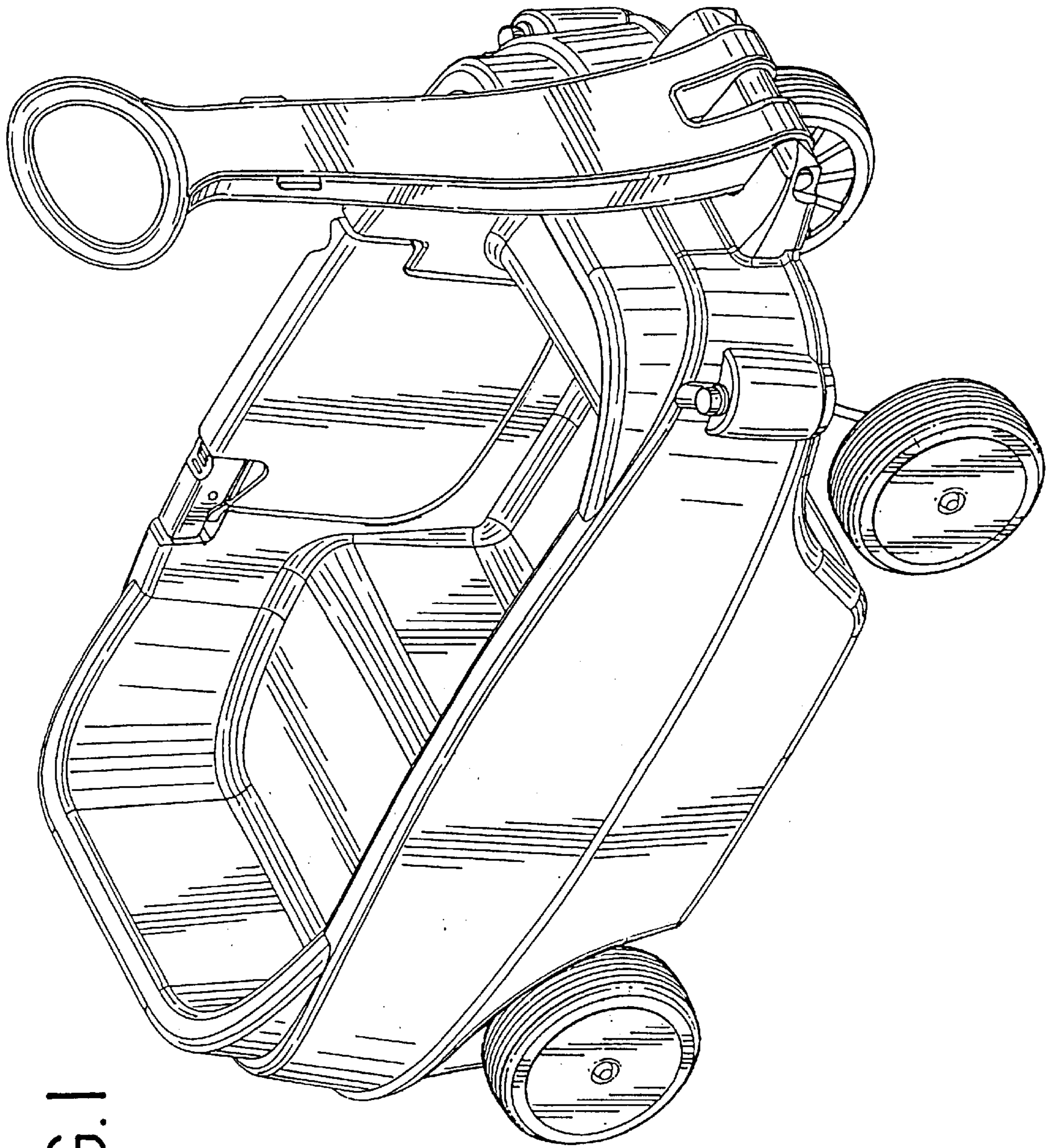


FIG. 1

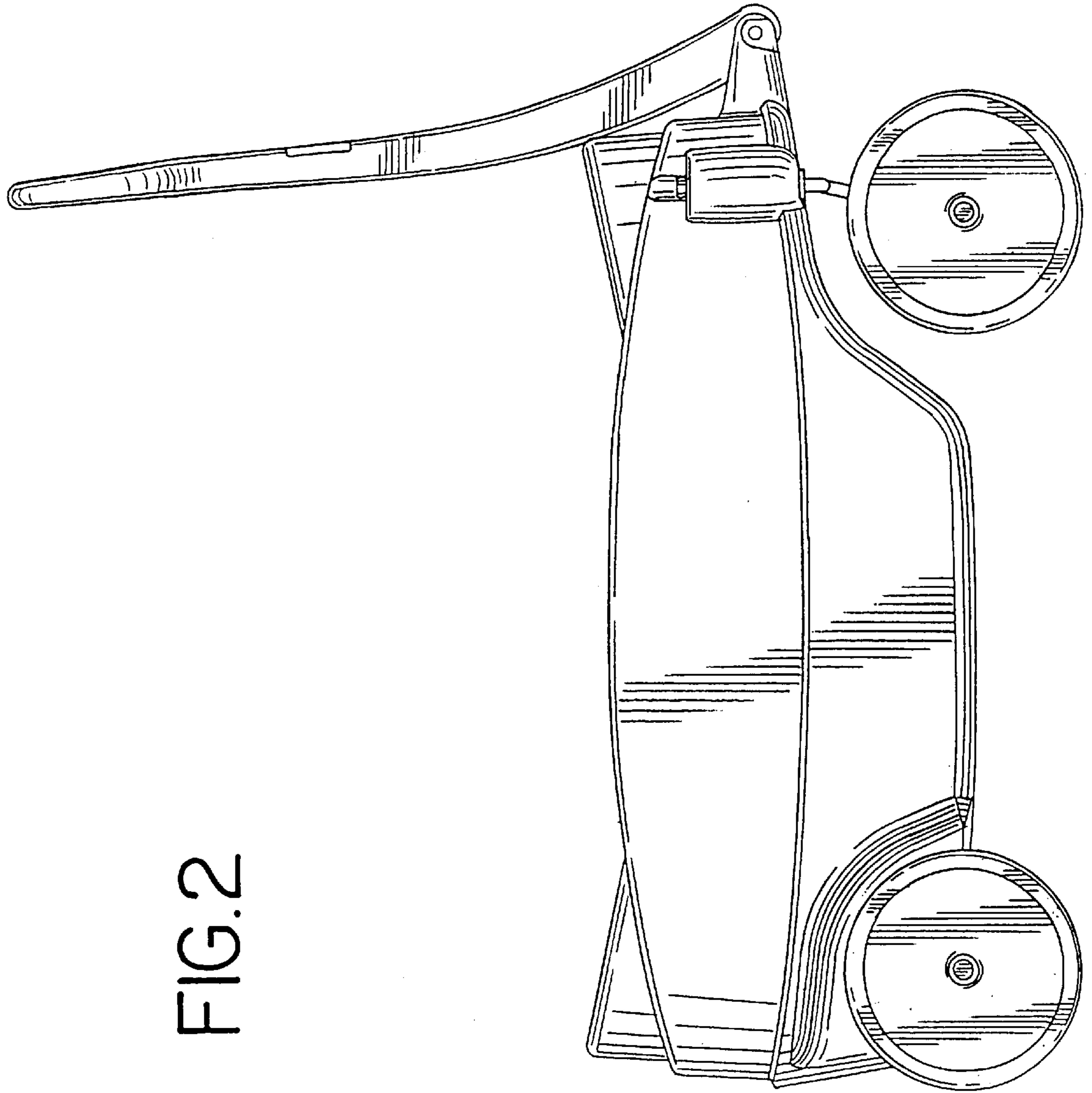


FIG. 2

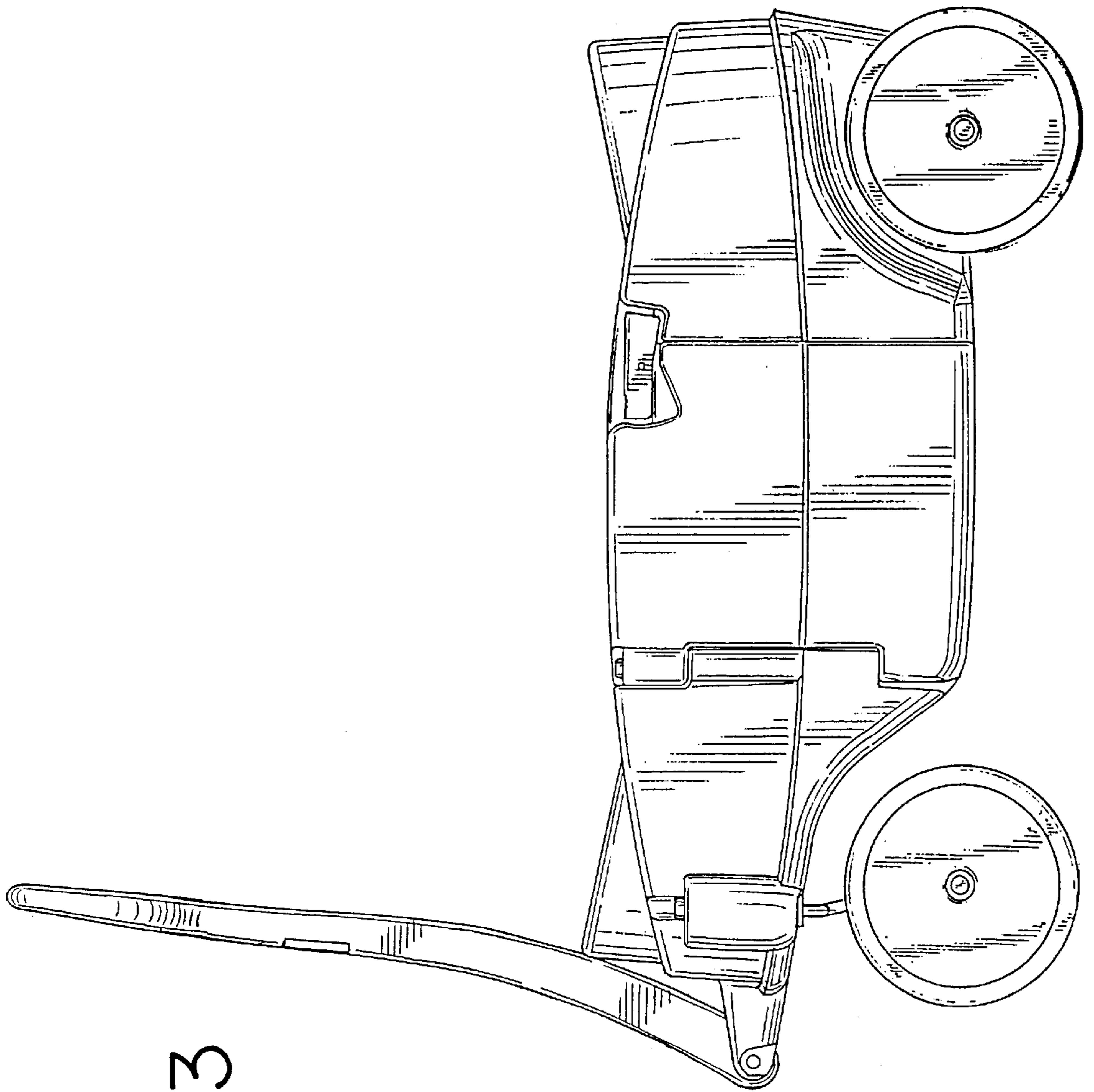


FIG. 3

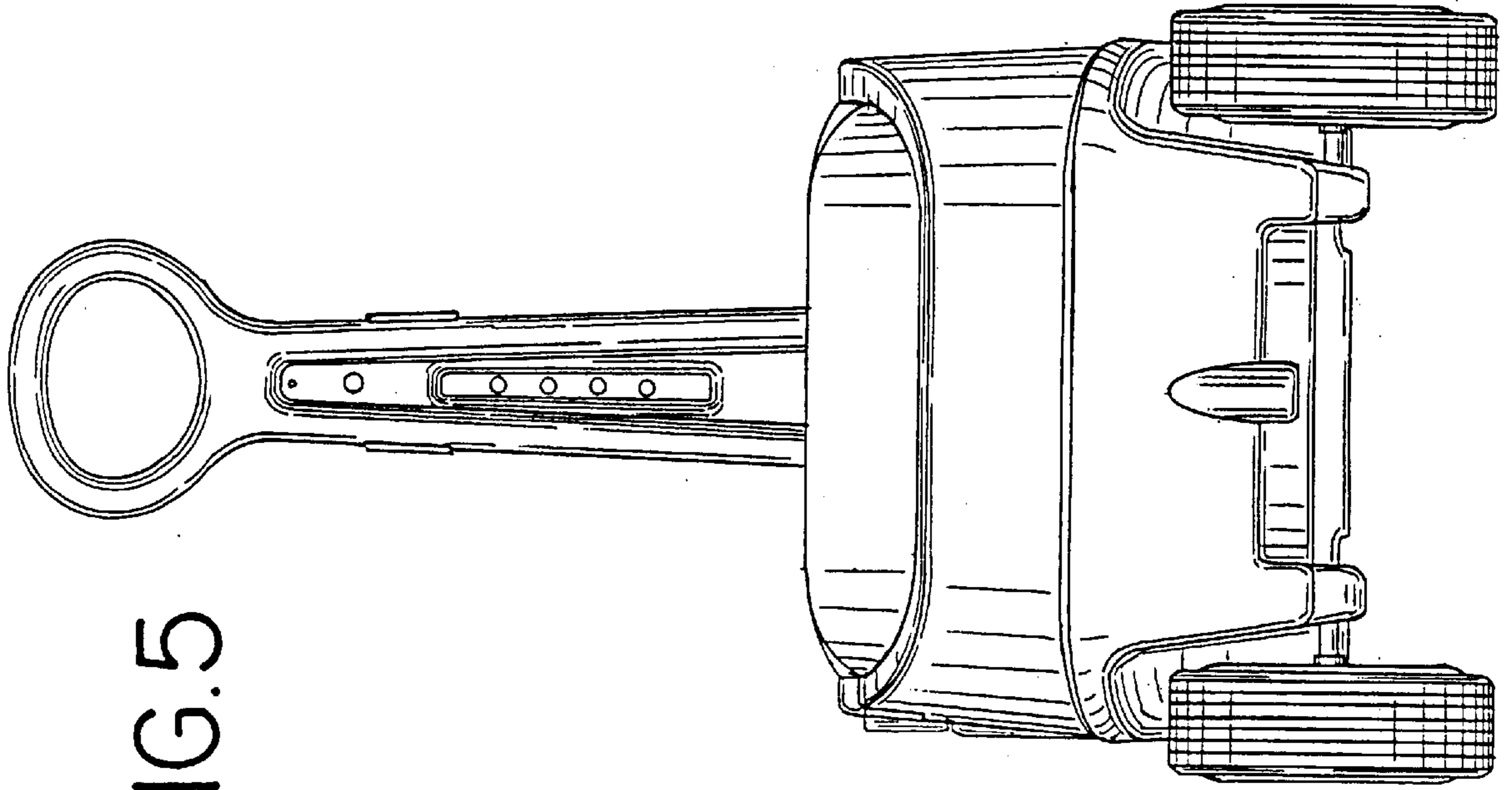


FIG.5

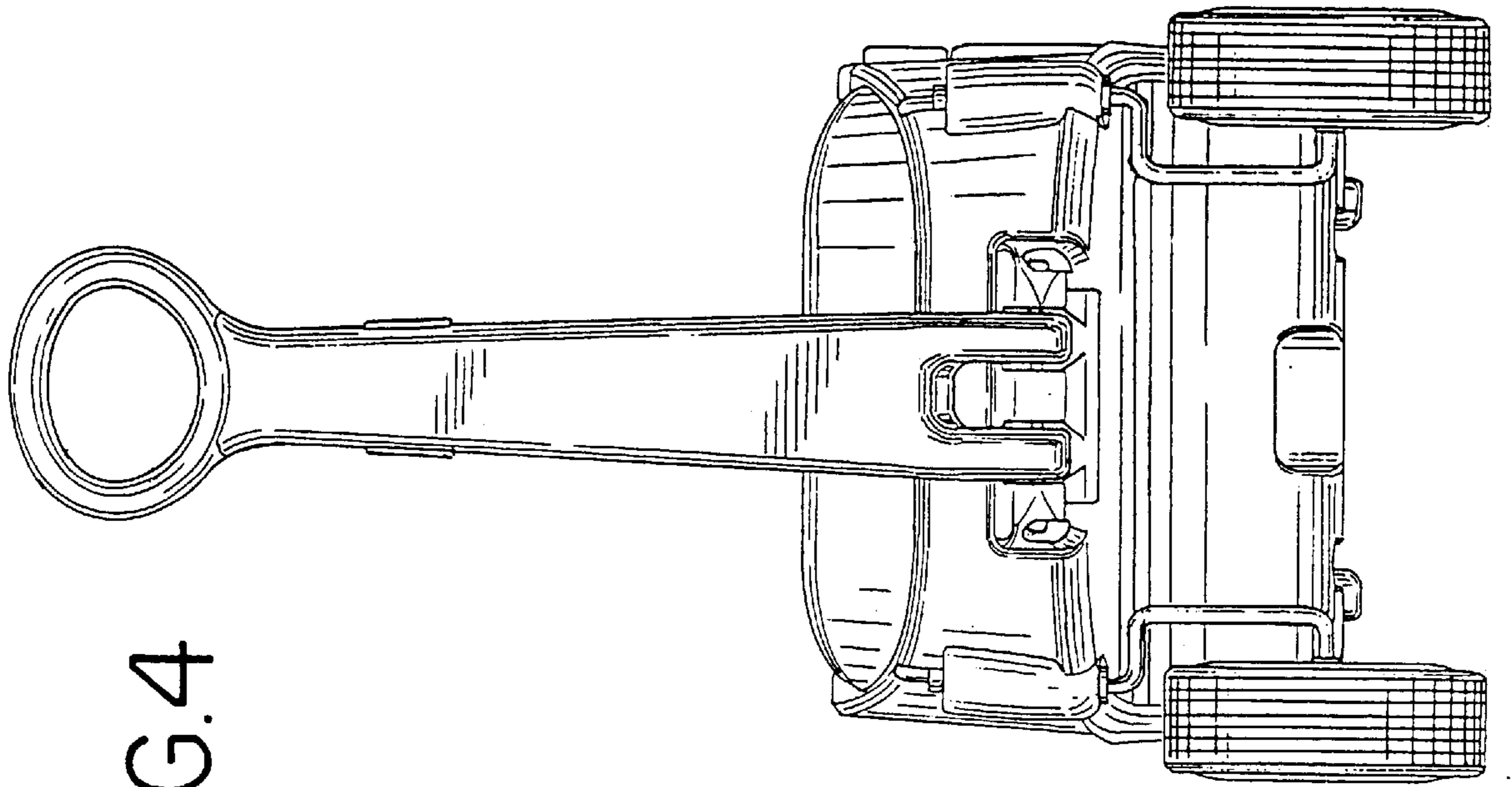


FIG.4

FIG.6

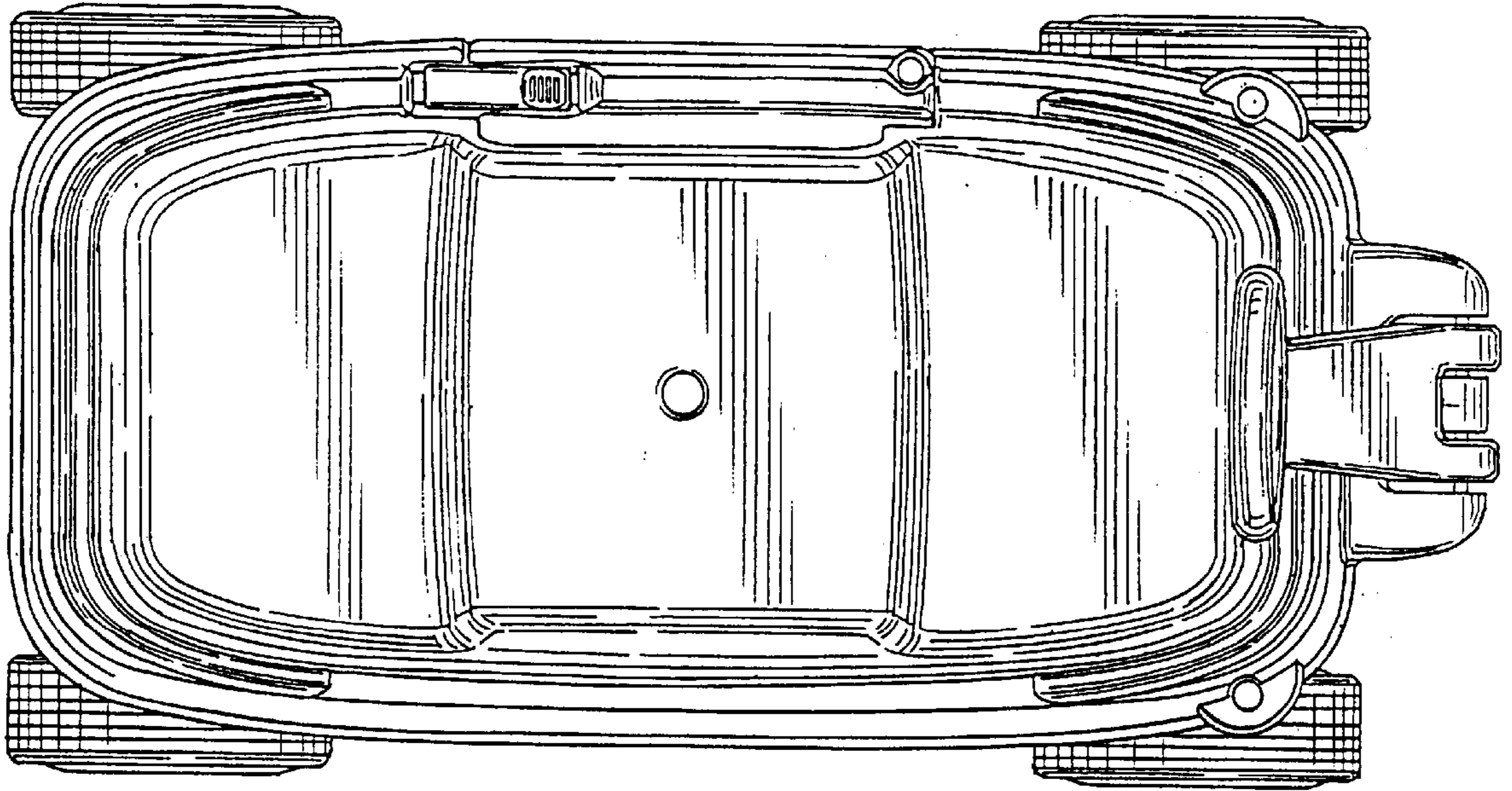


FIG.7

