



US00D403024S

# United States Patent [19]

[11] Patent Number: **Des. 403,024**

Muraki et al.

[45] Date of Patent: **\*\*Dec. 22, 1998**

[54] **GAME MACHINE**

[75] Inventors: **Hiroyuki Muraki; Katsunori Okita; Satoshi Uchiyama**, all of Kobe, Japan

[73] Assignee: **Konami Co. Ltd.**, Hyogo-ken, Japan

[\*\*] Term: **14 Years**

[21] Appl. No.: **74,518**

[22] Filed: **Aug. 4, 1997**

[30] **Foreign Application Priority Data**

Feb. 5, 1997 [JP] Japan ..... 9-3224

[51] **LOC (6) Cl.** ..... **21-01**

[52] **U.S. Cl.** ..... **D21/326**

[58] **Field of Search** ..... D21/13, 1, 240, D21/5, 11, 147; 463/1, 30, 31, 35, 46, 47, 51, 52; 273/355-357, 405

[56] **References Cited**

**U.S. PATENT DOCUMENTS**

D. 380,779	7/1997	Shinzato	.....	D21/13
D. 382,915	8/1997	Yang	.....	D21/13
D. 383,169	9/1997	Shinzato	.....	D21/13
D. 384,982	10/1997	Moriyama	.....	D21/13
D. 386,796	11/1997	Komori	.....	D21/13

4,123,059	10/1978	Guibas	.....	273/356
4,215,867	8/1980	Natwick	.....	273/357
5,299,810	4/1994	Pierce et al.	.....	463/30 X
5,318,295	6/1994	Hofer	.....	463/30 X
5,439,230	8/1995	Mendes, Jr.	.....	463/51 X

**OTHER PUBLICATIONS**

Jet Wave Simulation Game, p. 134, Feb. 1996.

*Primary Examiner*—Prabhakar G. Deshmukh  
*Attorney, Agent, or Firm*—Jordan and Hamburg

[57] **CLAIM**

The ornamental design for a game machine for a game machine, as shown and described.

**DESCRIPTION**

FIG. 1 is a perspective view of a game machine; FIG. 2 is a front view of the game machine; FIG. 3 is a rear view of the game machine; FIG. 4 is a left side view of the game machine; FIG. 5 is a right side view of the game machine; FIG. 6 is a top view of the game machine; FIG. 7 is a bottom view of the game machine; and, FIG. 8 is a view of a section taken along the line 8—8 in FIG. 2.

**1 Claim, 8 Drawing Sheets**

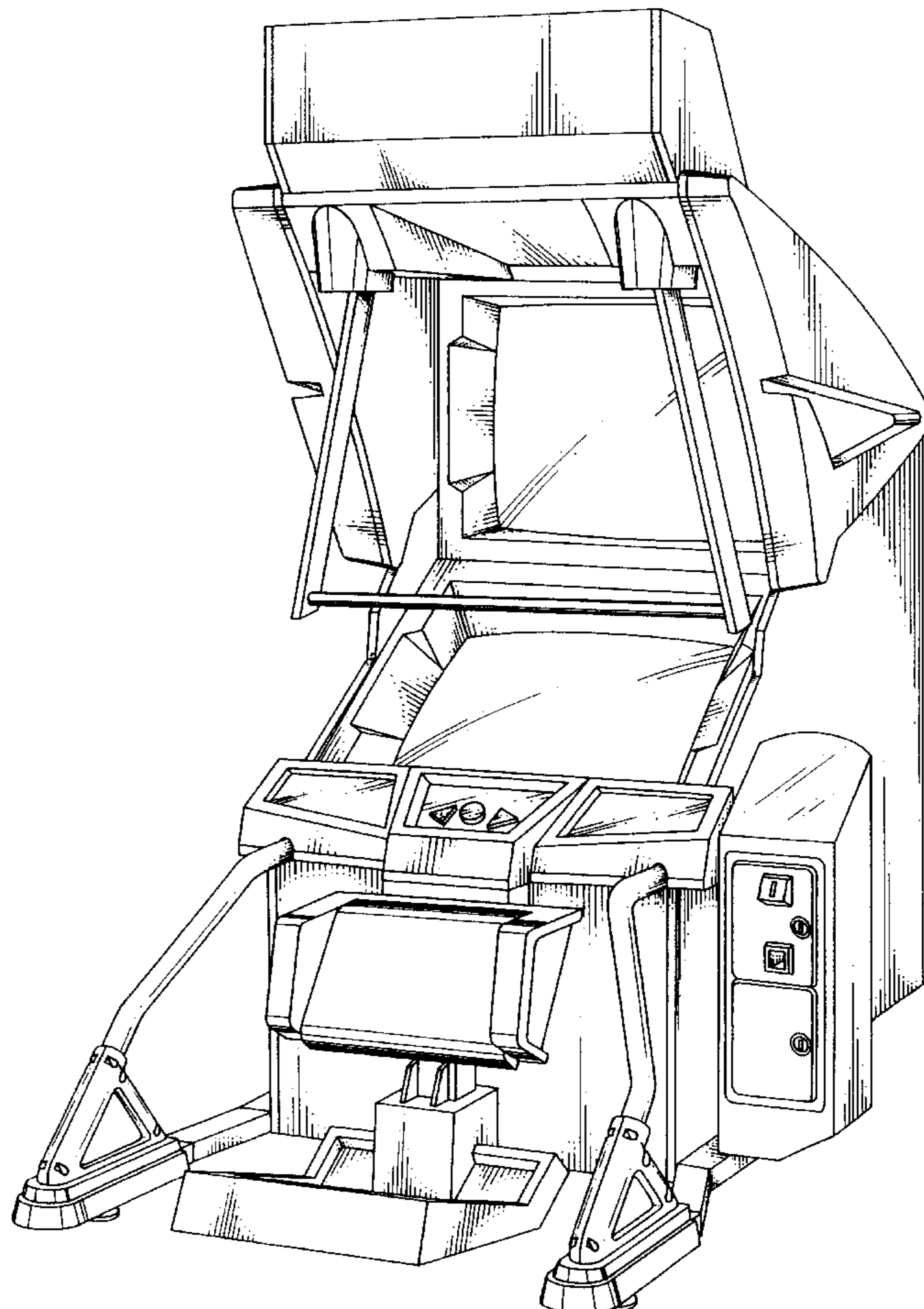


FIG. 1

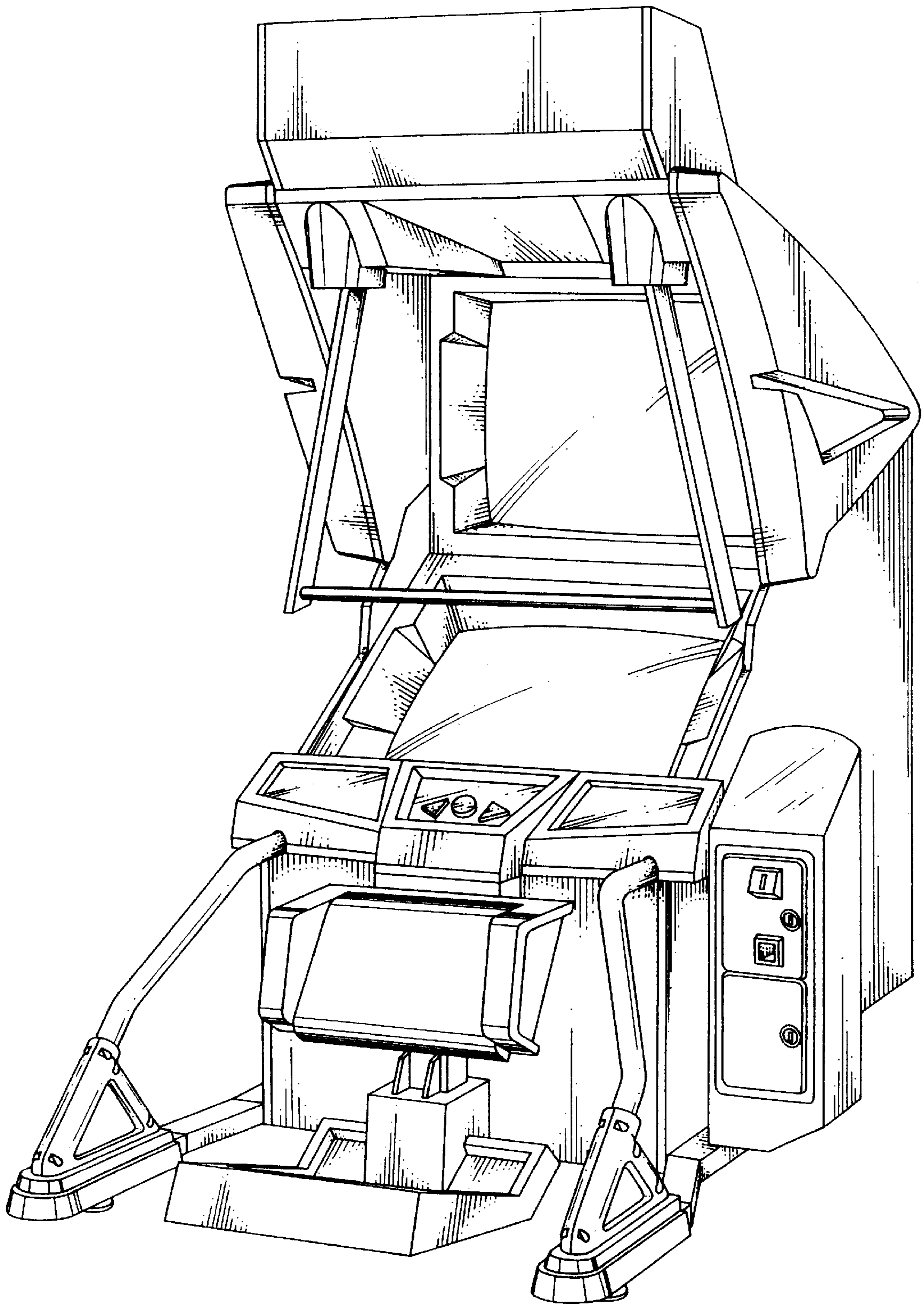
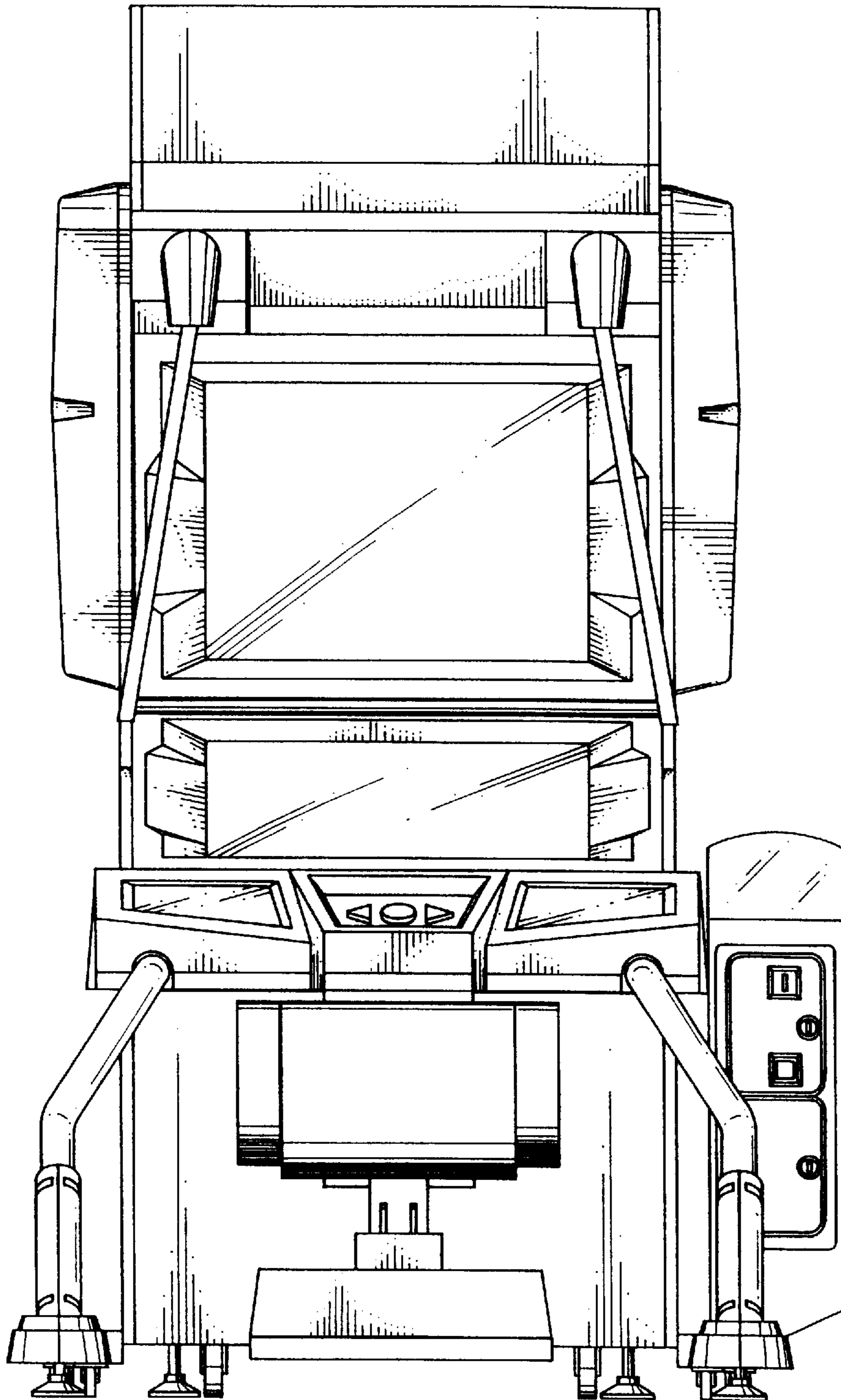


FIG. 2

→ 8



→ 8

FIG. 3

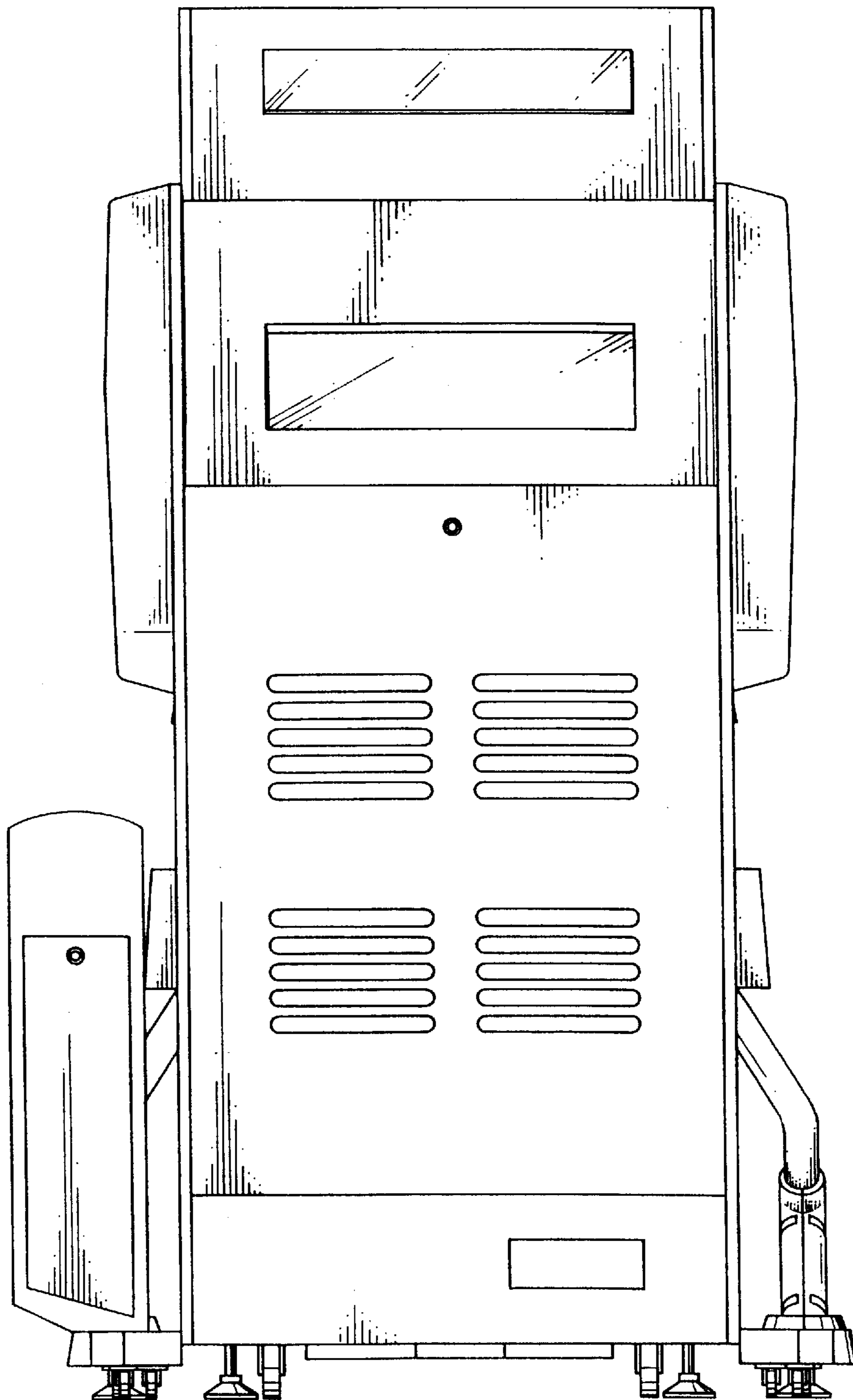


FIG. 4

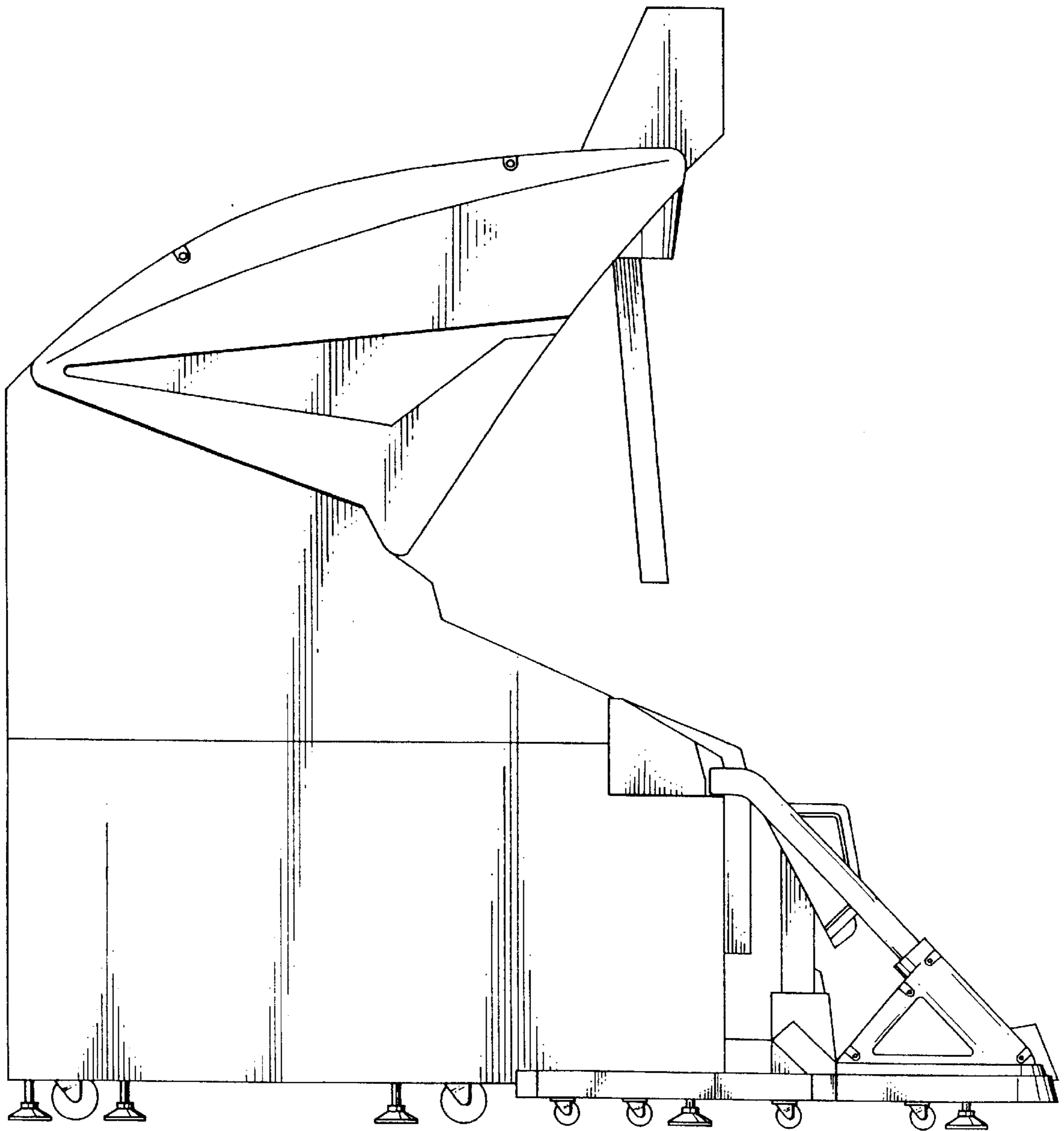


FIG. 5

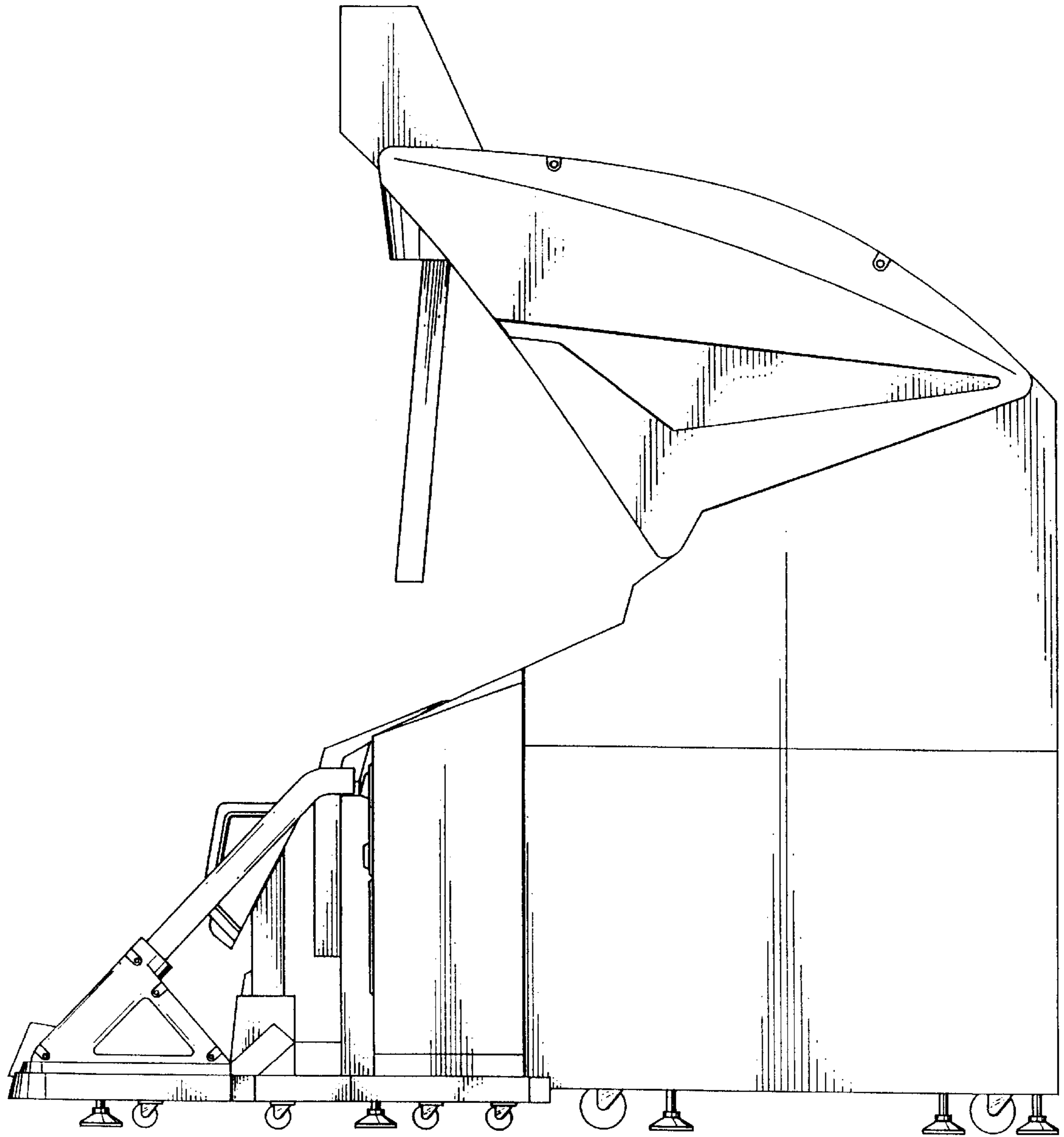


FIG. 6

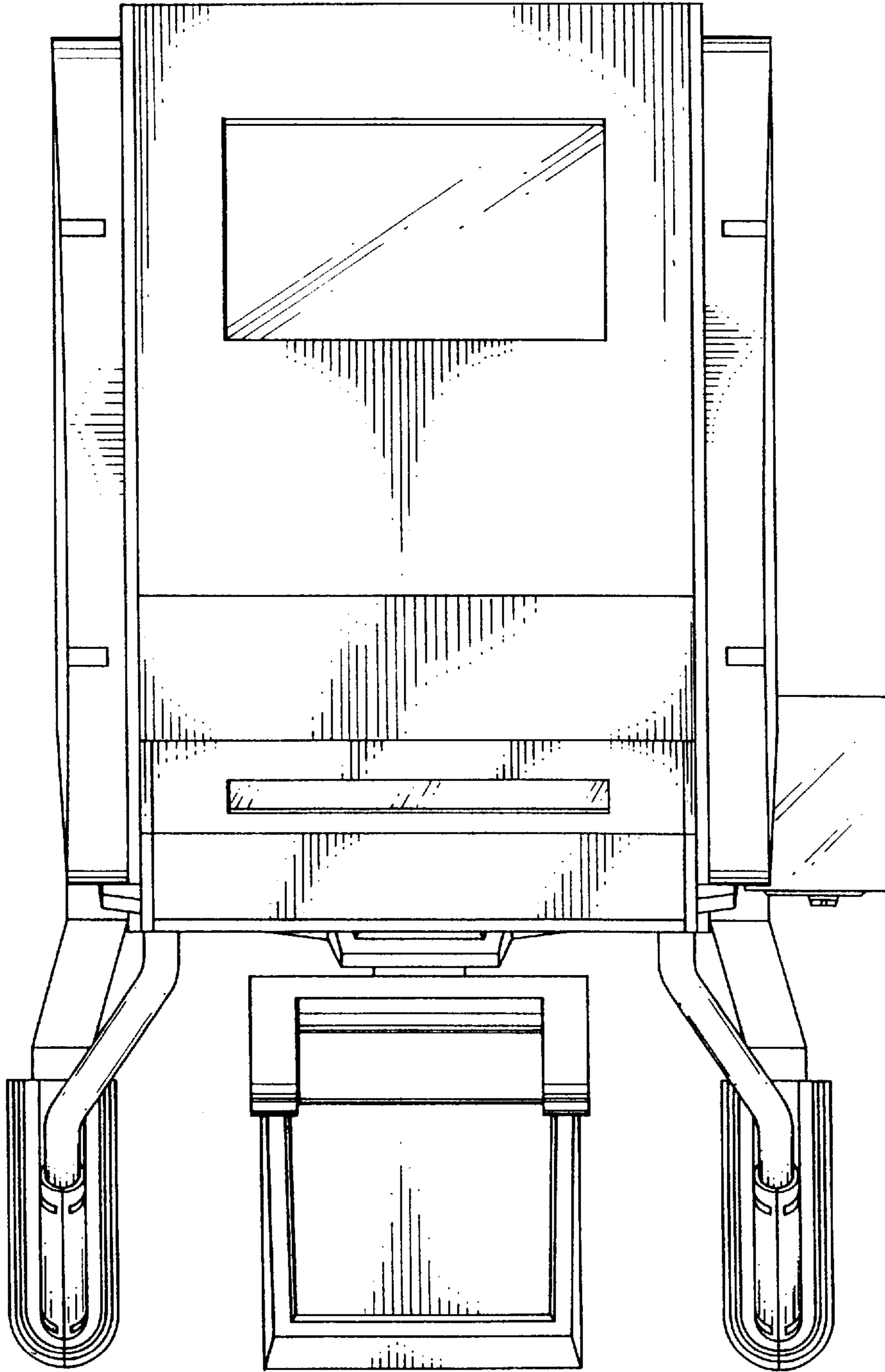


FIG. 7

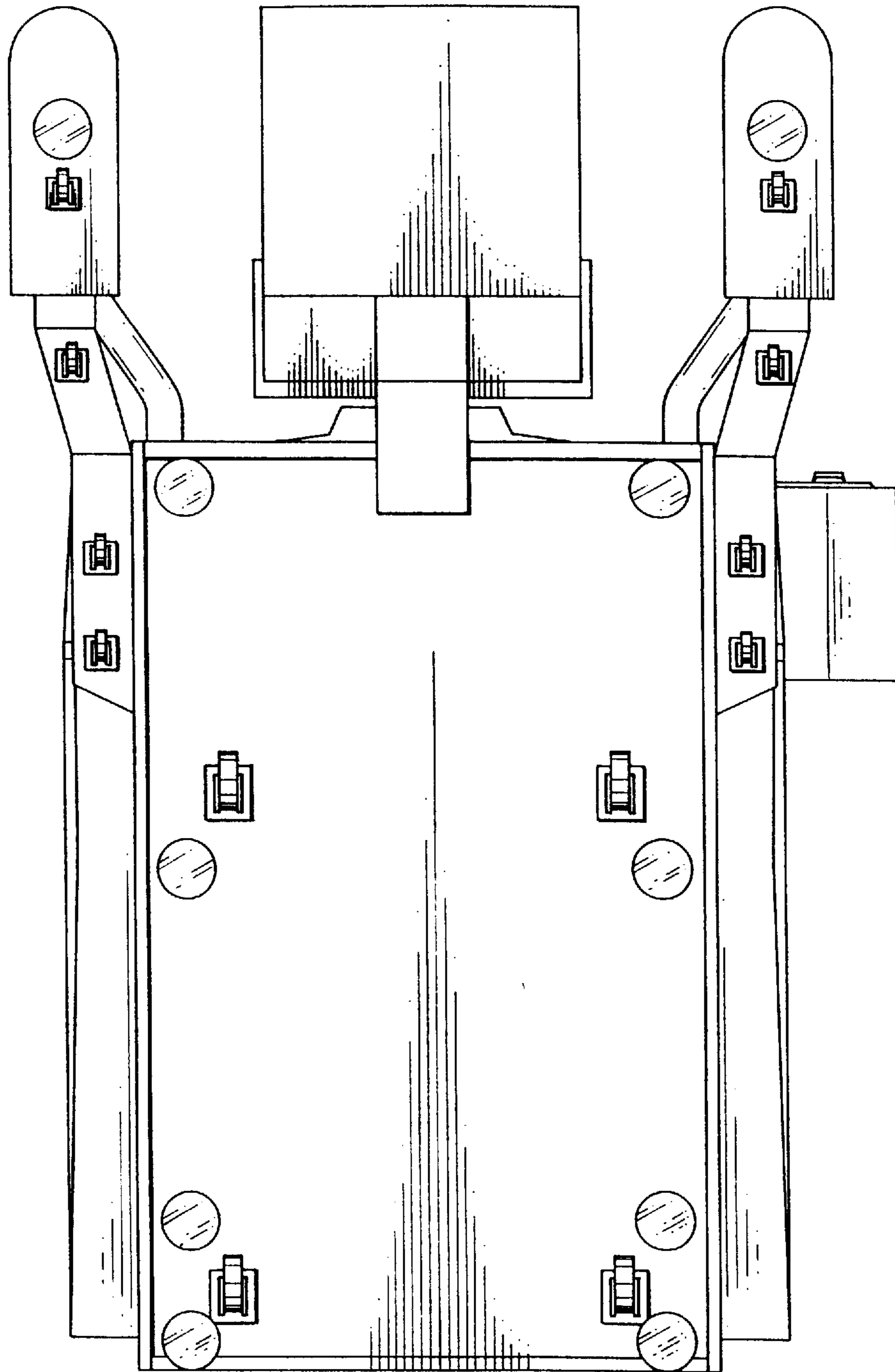




FIG. 8

